



US00D680659S

(12) **United States Design Patent**  
**Funnell**

(10) **Patent No.:** **US D680,659 S**

(45) **Date of Patent:** **\*\* Apr. 23, 2013**

- (54) **COMPACT STERILIZING RACK**
- (76) Inventor: **David Martin Funnell**, Medford, MA (US)
- (\*\*) Term: **14 Years**
- (21) Appl. No.: **29/395,673**
- (22) Filed: **Mar. 12, 2012**
- (51) **LOC (9) Cl.** ..... **24-02**
- (52) **U.S. Cl.**  
USPC ..... **D24/227**
- (58) **Field of Classification Search** ..... D24/185,  
D24/216-232, 127-128; D6/406.1-406.3,  
D6/406.6; D3/203.1, 304; D19/92; D32/55;  
206/363-370; 211/85.13, 126.14, 74, 41.1;  
260/438, 557, 560, 564; 422/58, 99, 102,  
422/104, 297, 300, 560-564, 298; 433/77,  
433/79  
See application file for complete search history.

6,468,482	B1 *	10/2002	Frieze et al. ....	422/300
6,534,000	B1 *	3/2003	Michaelson et al. ....	422/297
D486,580	S *	2/2004	Abdel-Model ....	D24/229
7,861,860	B2 *	1/2011	Bettenhausen et al. ....	206/370
D658,778	S *	5/2012	Funnell .....	D24/227

\* cited by examiner

*Primary Examiner* — T. Chase Nelson  
*Assistant Examiner* — Mark Cavanna

(57) **CLAIM**  
The ornamental design for a compact sterilizing rack, as shown and described.

**DESCRIPTION**

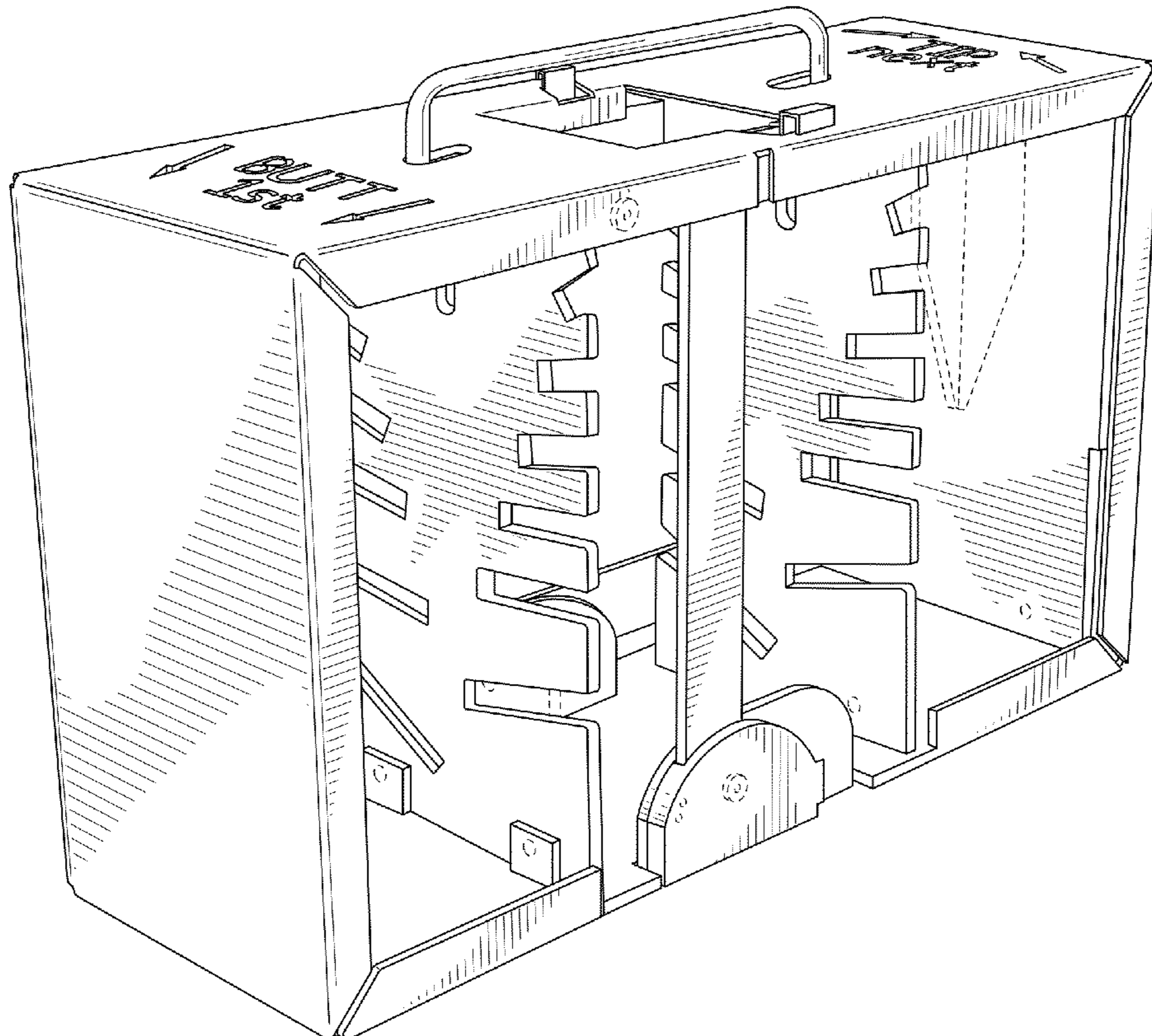
FIG. 1 is a front, right side perspective view of the compact sterilizing rack;  
 FIG. 2 is a back elevational view of the compact sterilizing rack;  
 FIG. 3 is a top plan view of the compact sterilizing rack;  
 FIG. 4 is a right side elevational view of the compact sterilizing rack;  
 FIG. 5 is a left side elevational view of the compact sterilizing rack; and,  
 FIG. 6 is a bottom plan view of the compact sterilizing rack.  
 The broken lines are included for the purpose of illustrating unclaimed portions of the compact sterilizing rack and form no part of the claimed design.

(56) **References Cited**

U.S. PATENT DOCUMENTS

4,505,393	A *	3/1985	Fleigle et al. ....	211/41.1
4,643,303	A *	2/1987	Arp et al. ....	206/370
5,449,069	A *	9/1995	Pijanowski et al. ....	206/370
5,632,388	A *	5/1997	Morrison et al. ....	211/74
6,048,503	A *	4/2000	Riley et al. ....	422/298
6,230,888	B1 *	5/2001	Frieze et al. ....	206/370

**1 Claim, 6 Drawing Sheets**



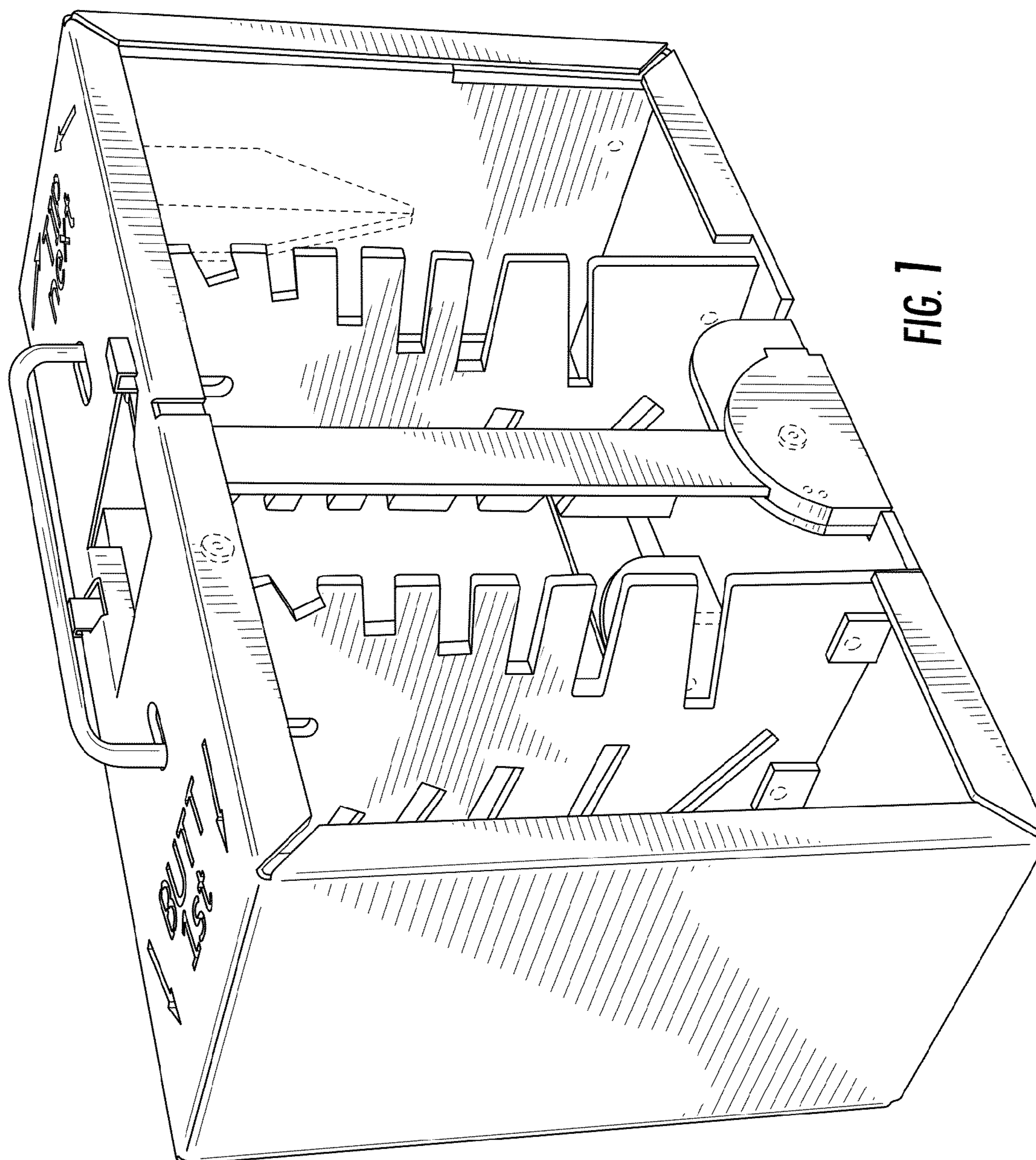


FIG. 1

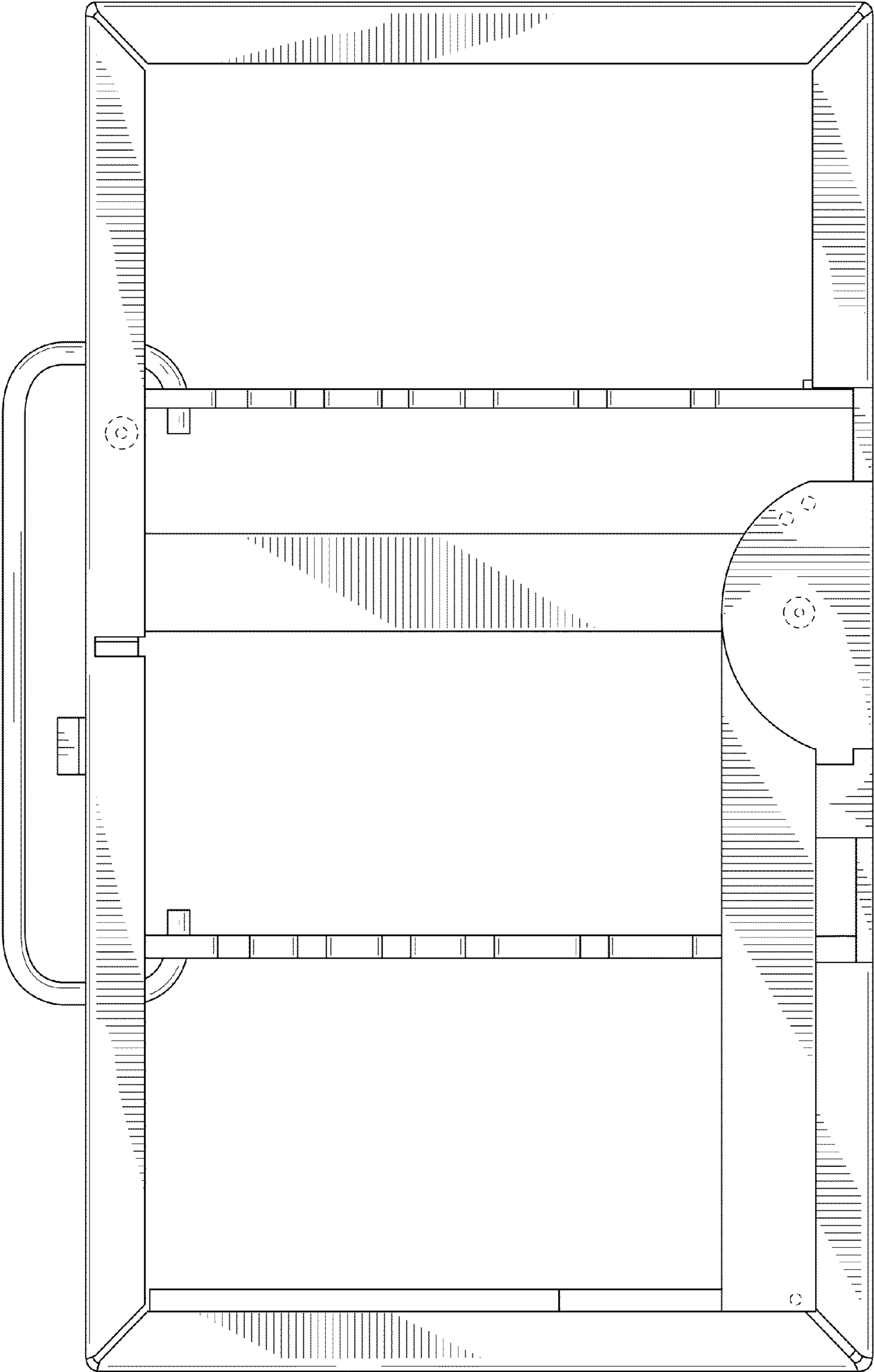
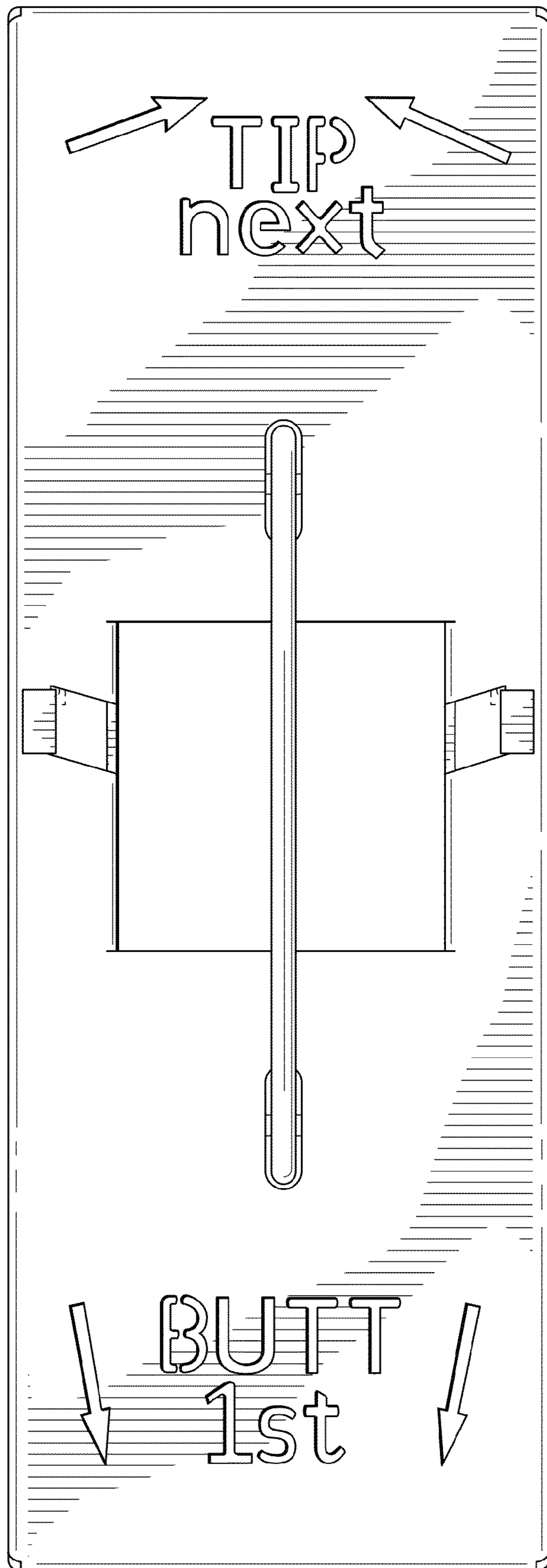
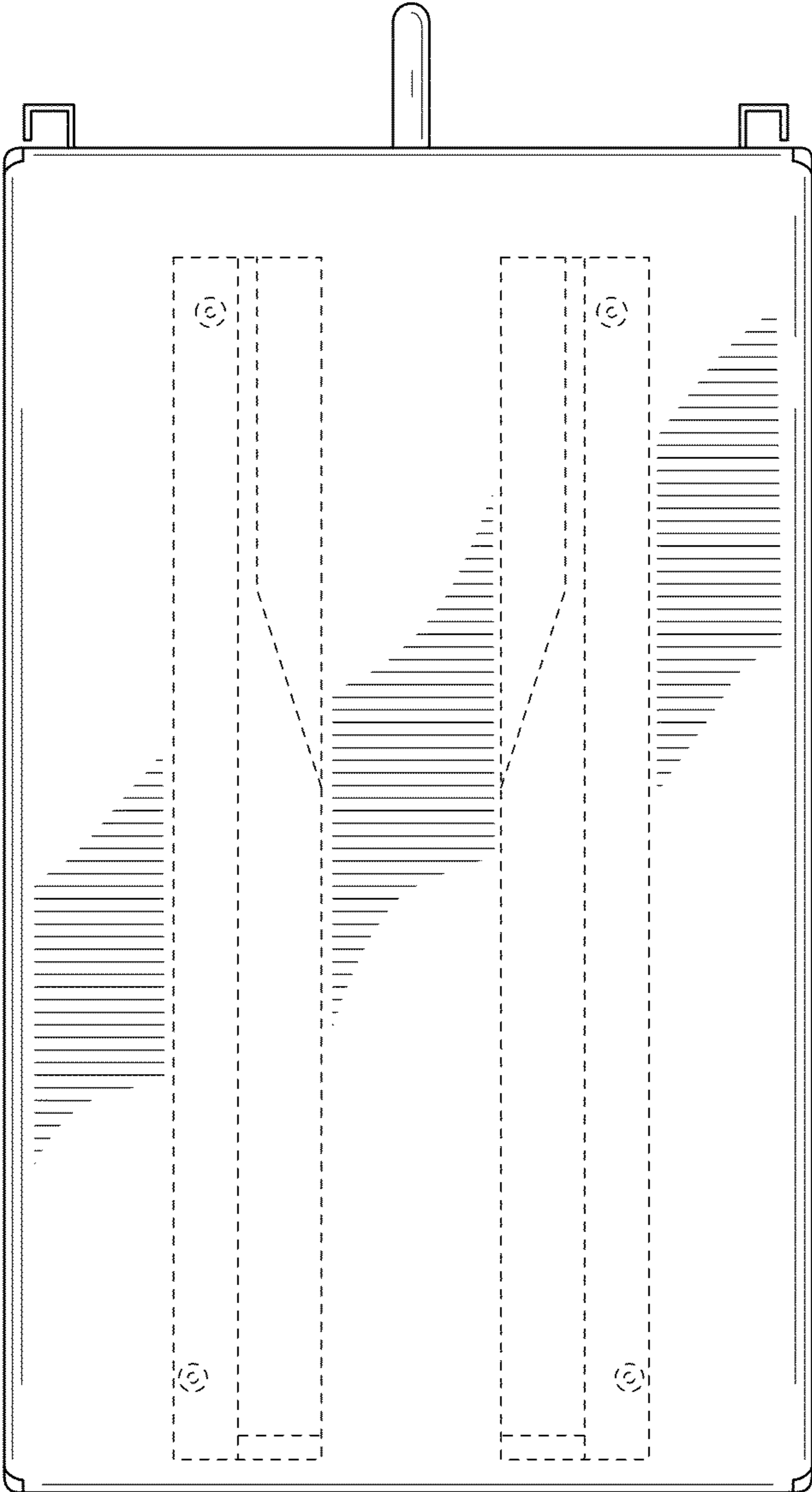


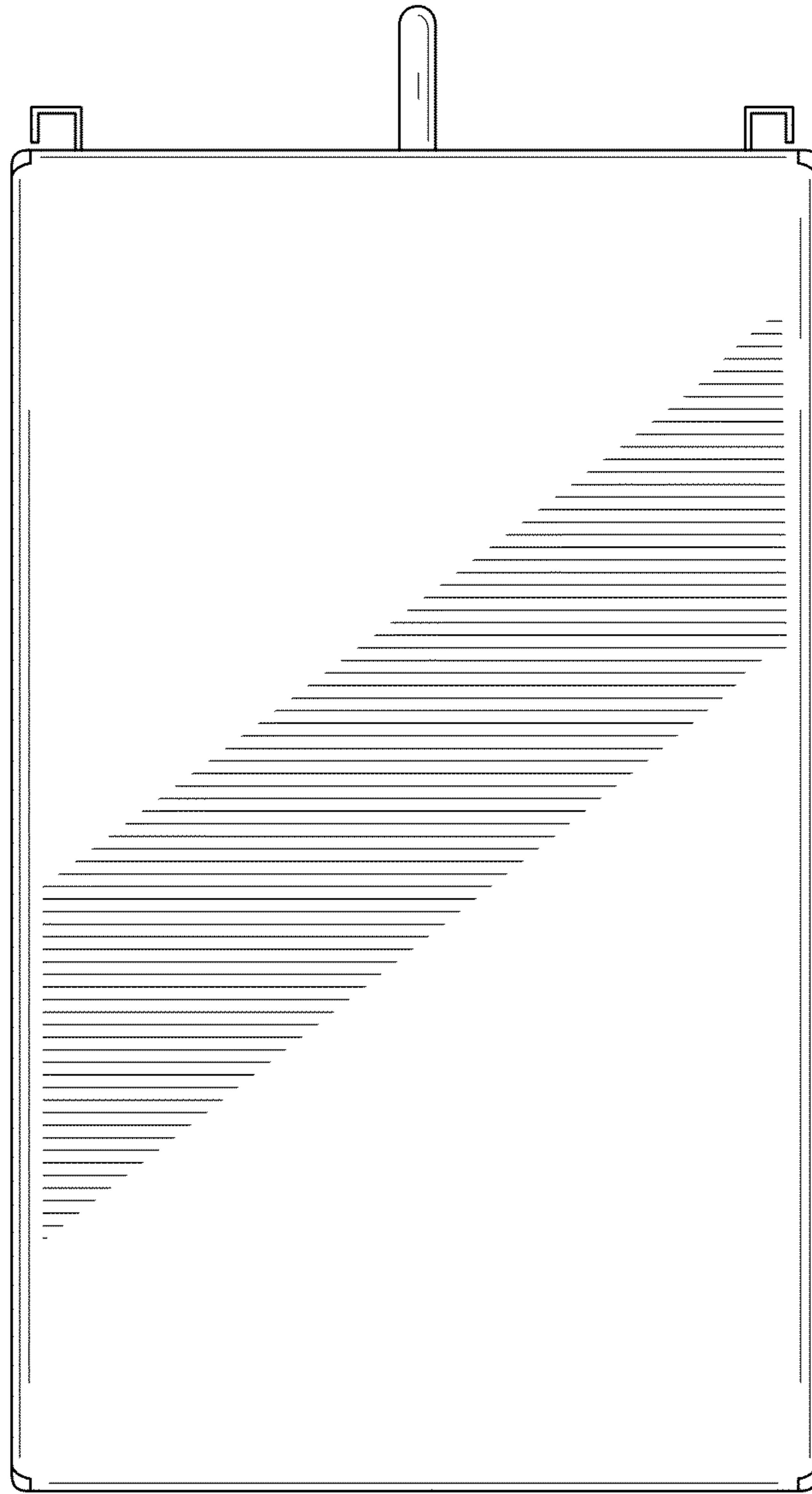
FIG. 2



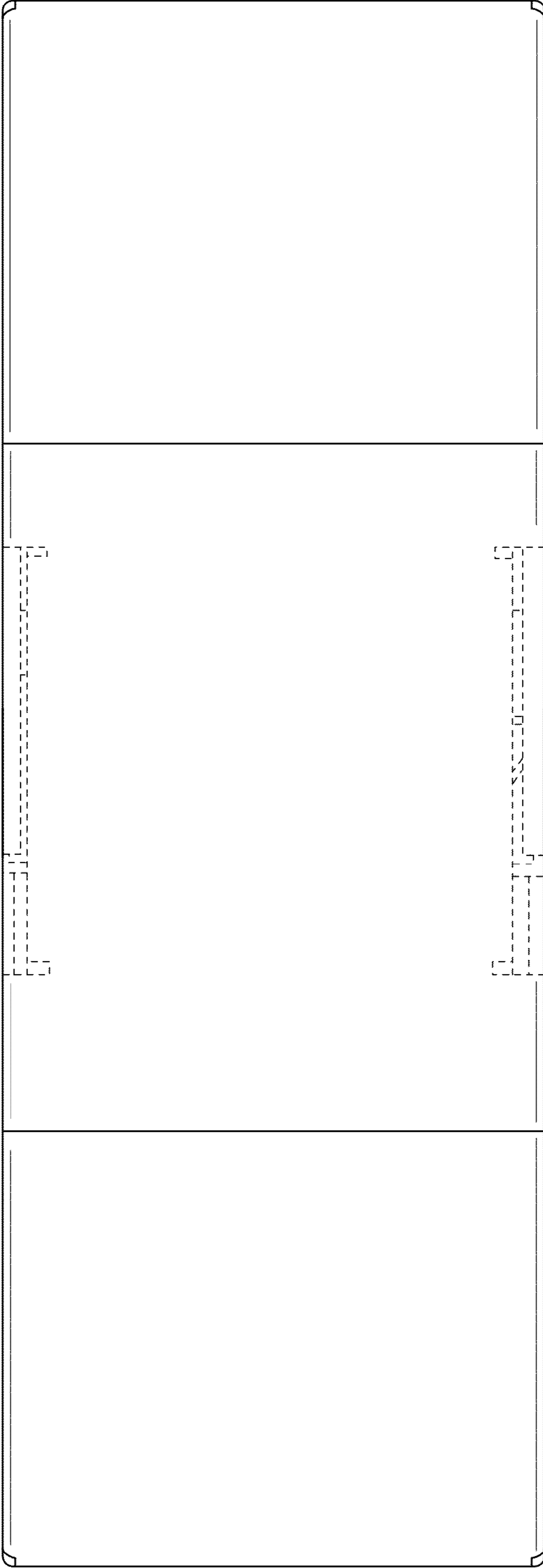
**FIG. 3**



**FIG. 4**



**FIG. 5**



**FIG. 6**