



US00D680657S

(12) **United States Design Patent**
Lee et al.

(10) **Patent No.:** **US D680,657 S**
(45) **Date of Patent:** **** Apr. 23, 2013**

(54) **CELL COUNTER**

Primary Examiner — Anhdao Doan

(75) Inventors: **Joung Lee**, Seoul (KR); **Hyoung Lee**, Gyeonggi-do (KR); **Laurel Stone**, Eugene, OR (US); **Jill Hendrickson**, Eugene, OR (US)

(73) Assignee: **Life Technologies Corporation**, Carlsbad, CA (US)

(**) Term: **14 Years**

(21) Appl. No.: **29/411,413**

(22) Filed: **Jan. 20, 2012**

Related U.S. Application Data

(62) Division of application No. 29/378,384, filed on Nov. 3, 2010, now Pat. No. Des. 655,421.

(51) **LOC (9) Cl.** **24-01**

(52) **U.S. Cl.**
USPC **D24/216**

(58) **Field of Classification Search** D24/216,
D24/217, 219, 223–226, 231, 232, 107, 169,
D24/186; D10/81; 422/500, 547, 62–65,
422/67; 435/287.1, 287.3; 436/43, 45, 47
See application file for complete search history.

(56) **References Cited**

U.S. PATENT DOCUMENTS

3,922,532 A 11/1975 Kitchener et al.
D251,800 S 5/1979 Hauser

(Continued)

OTHER PUBLICATIONS

Invitrogen Corporation, Easier than 1,2, 3—Introducing Countess, Comprehensive Views of the Corresponding First Generation Cell Counter, email release Sep. 18, 2008.

(57) **CLAIM**

The ornamental design for a cell counter, as shown and described.

DESCRIPTION

FIG. 1 is a front, right side perspective view of a first embodiment of a cell counter according to our new design.

FIG. 2 is a front, left side perspective view of the cell counter of FIG. 1.

FIG. 3 is a back, left side perspective view of the cell counter of FIG. 1.

FIG. 4 is a back, right side perspective view of the cell counter of FIG. 1.

FIG. 5 is a front view of the cell counter of FIG. 1.

FIG. 6 is a top view of the cell counter of FIG. 1.

FIG. 7 is a right side view of the cell counter of FIG. 1.

FIG. 8 is a bottom view of the cell counter of FIG. 1.

FIG. 9 is a front, right side perspective view of a second embodiment of a cell counter according to our new design.

FIG. 10 is a front, left side perspective view of the cell counter of FIG. 9.

FIG. 11 is a back, left side perspective view of the cell counter of FIG. 9.

FIG. 12 is a back, right side perspective view of the cell counter of FIG. 9.

FIG. 13 is a front view of the cell counter of FIG. 9.

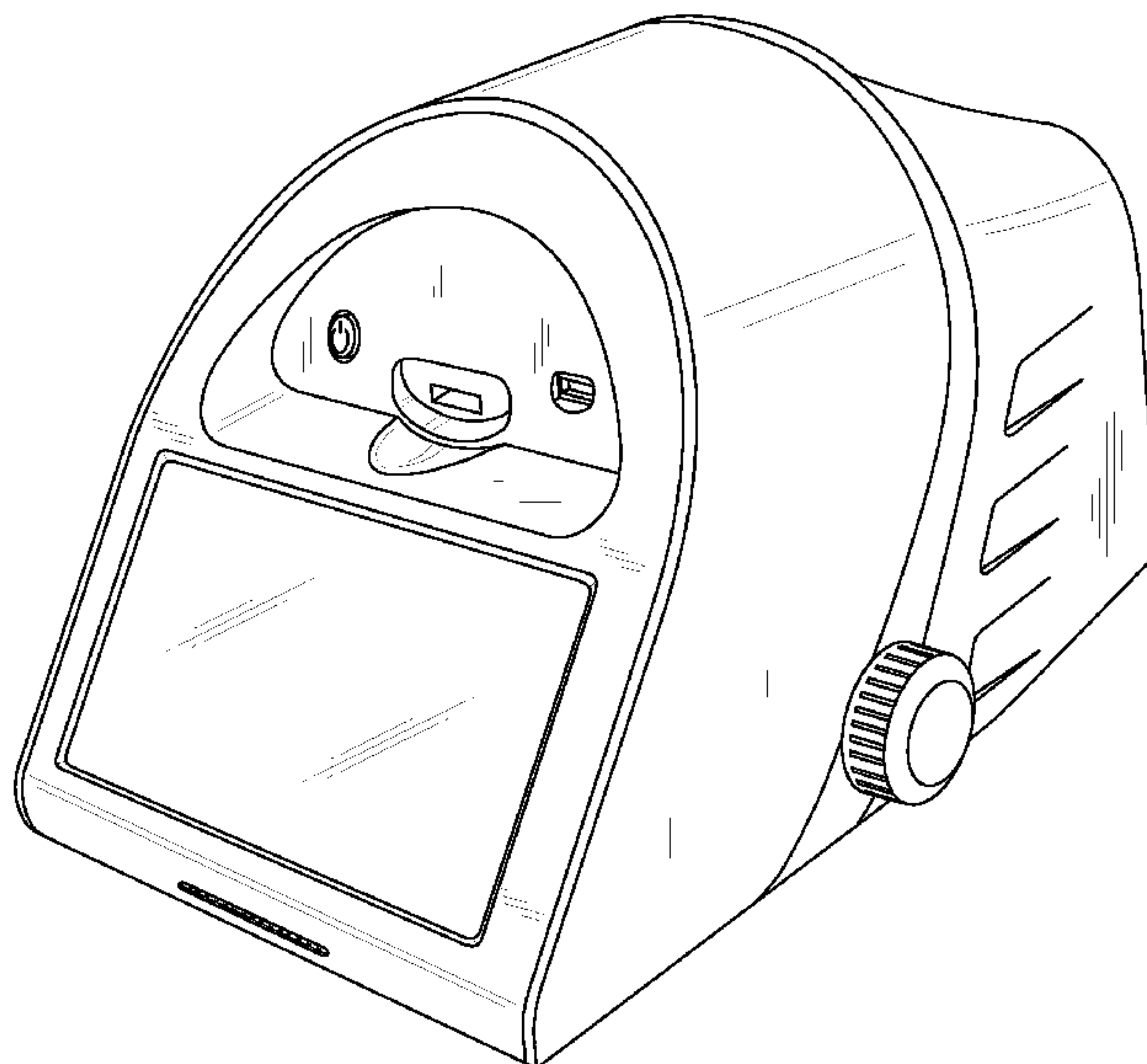
FIG. 14 is a top view of the cell counter of FIG. 9.

FIG. 15 is a right side view of the cell counter of FIG. 9; and,

FIG. 16 is a bottom view of the cell counter of FIG. 9.

The portions depicted in broken lines are not part of the claimed design.

1 Claim, 16 Drawing Sheets



US D680,657 S

Page 2

U.S. PATENT DOCUMENTS

D261,033 S	9/1981	Armbuster		D621,523 S	8/2010	Onuma et al.	
D326,921 S	6/1992	Holbl		D629,907 S	12/2010	Boessneck et al.	
D424,956 S *	5/2000	von Buelow et al. D10/81	D631,968 S *	2/2011	Sevel	D24/169
D467,349 S	12/2002	Niedbala et al.		D638,545 S *	5/2011	Okawa et al. D24/186
D503,808 S	4/2005	Stokes et al.		8,046,175 B2 *	10/2011	Kuo et al. 436/43
D552,500 S	10/2007	Forslund		2008/0019868 A1	1/2008	Okumoto et al.	
D556,914 S	12/2007	Okamoto et al.		2009/0269841 A1	10/2009	Wojciechowski et al.	
D569,526 S	5/2008	Duffy et al.		2009/0280572 A1	11/2009	Ribeiro	

* cited by examiner

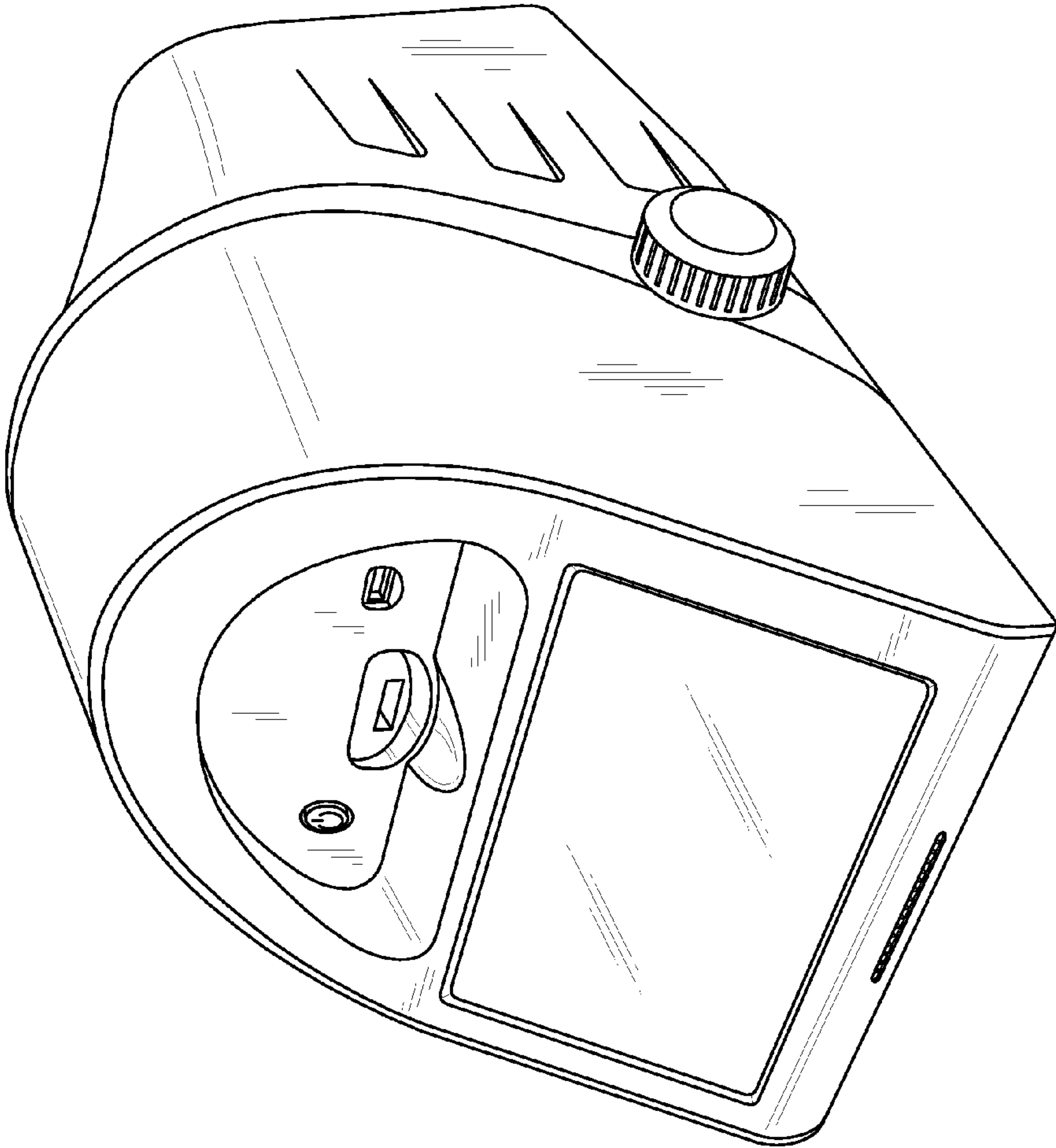


FIG. 1

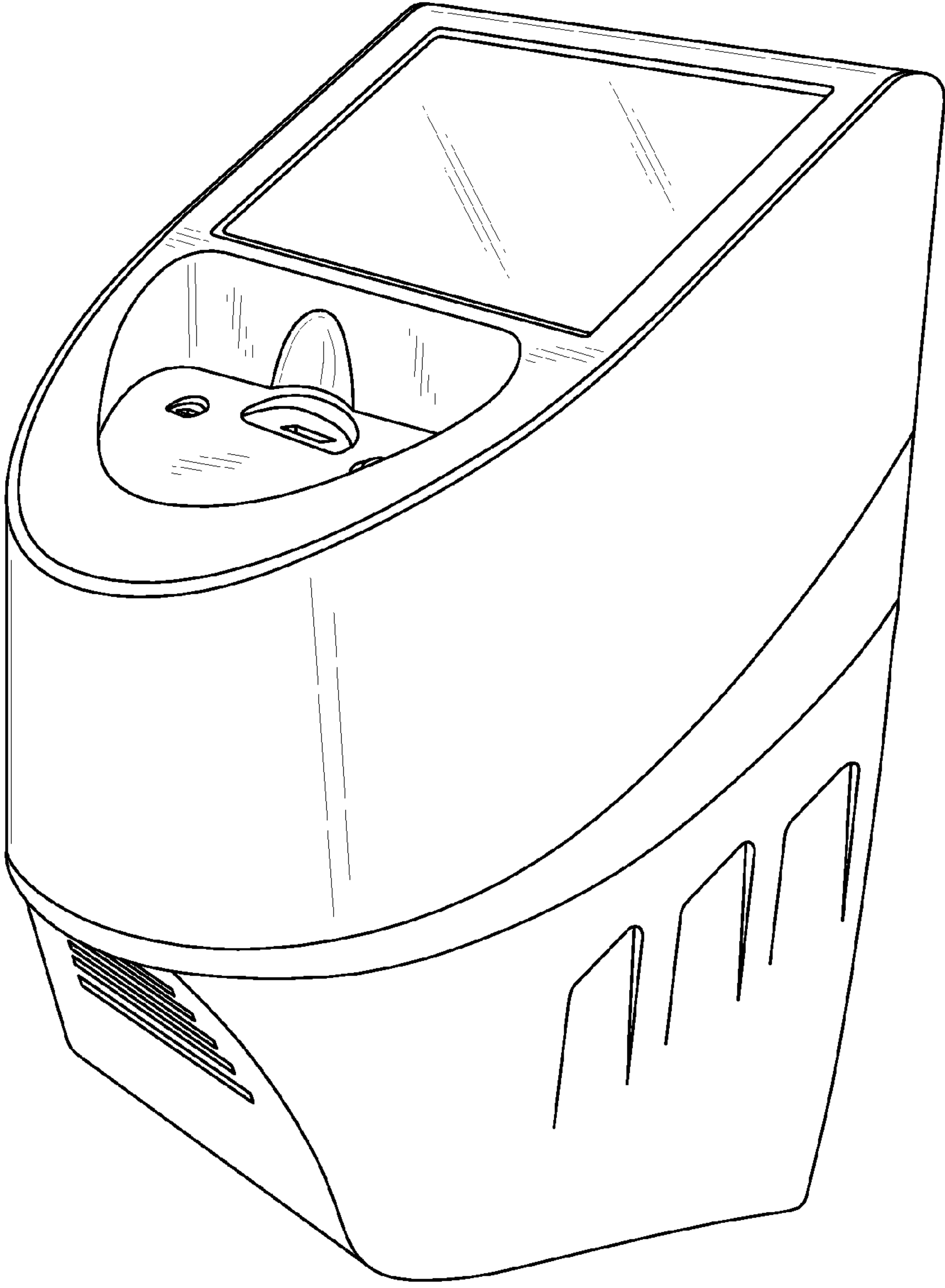


FIG. 2

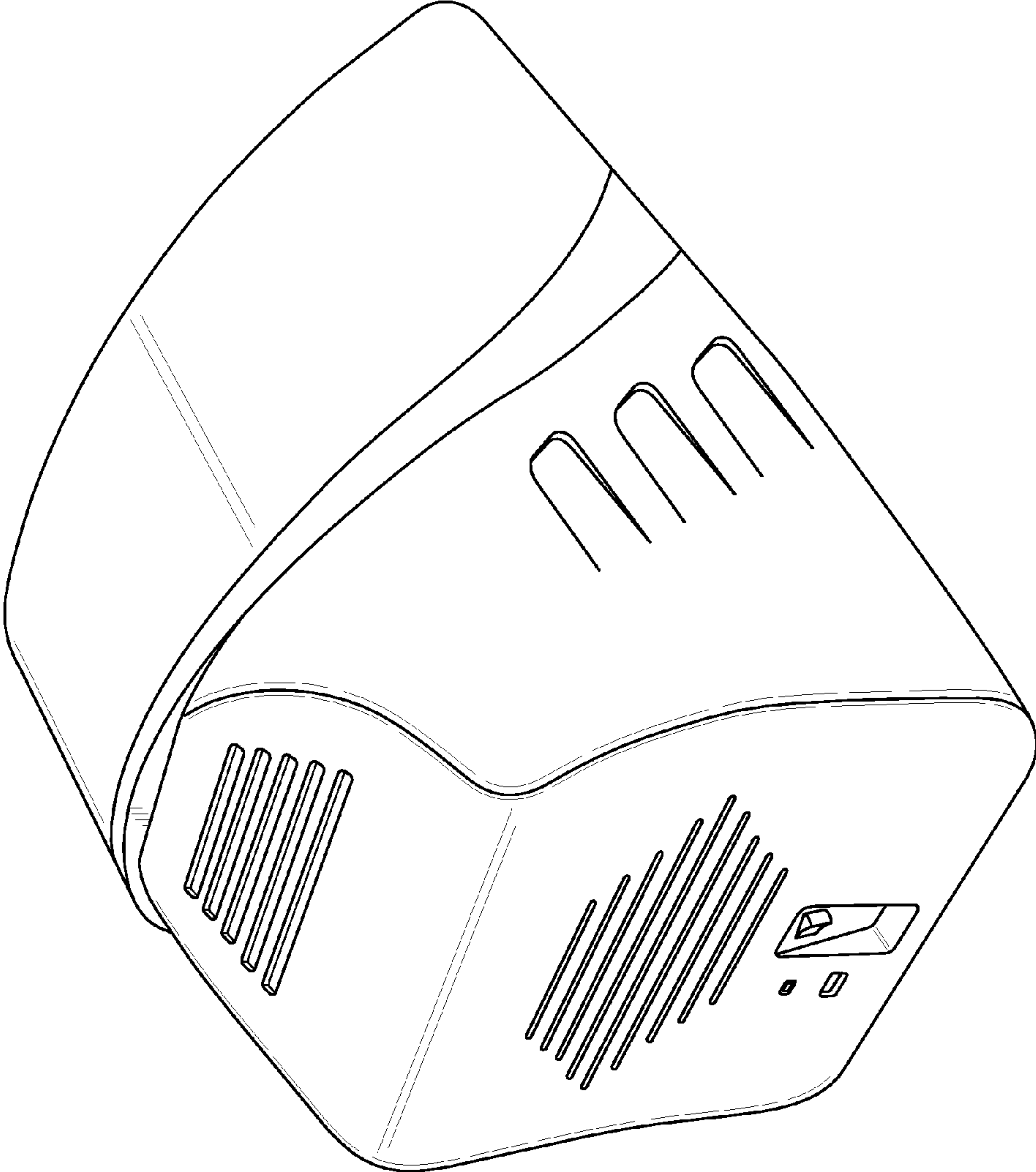


FIG. 3

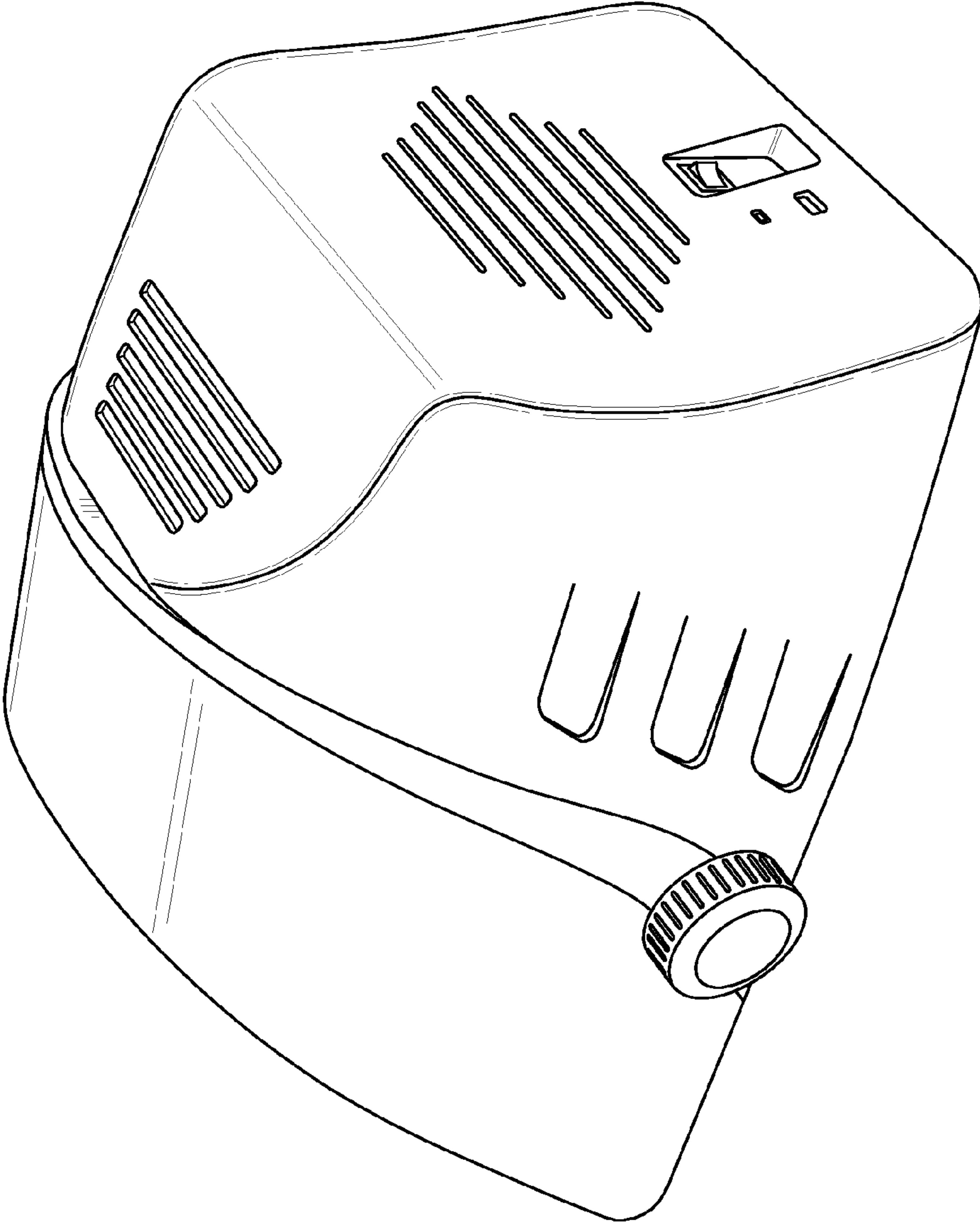


FIG. 4

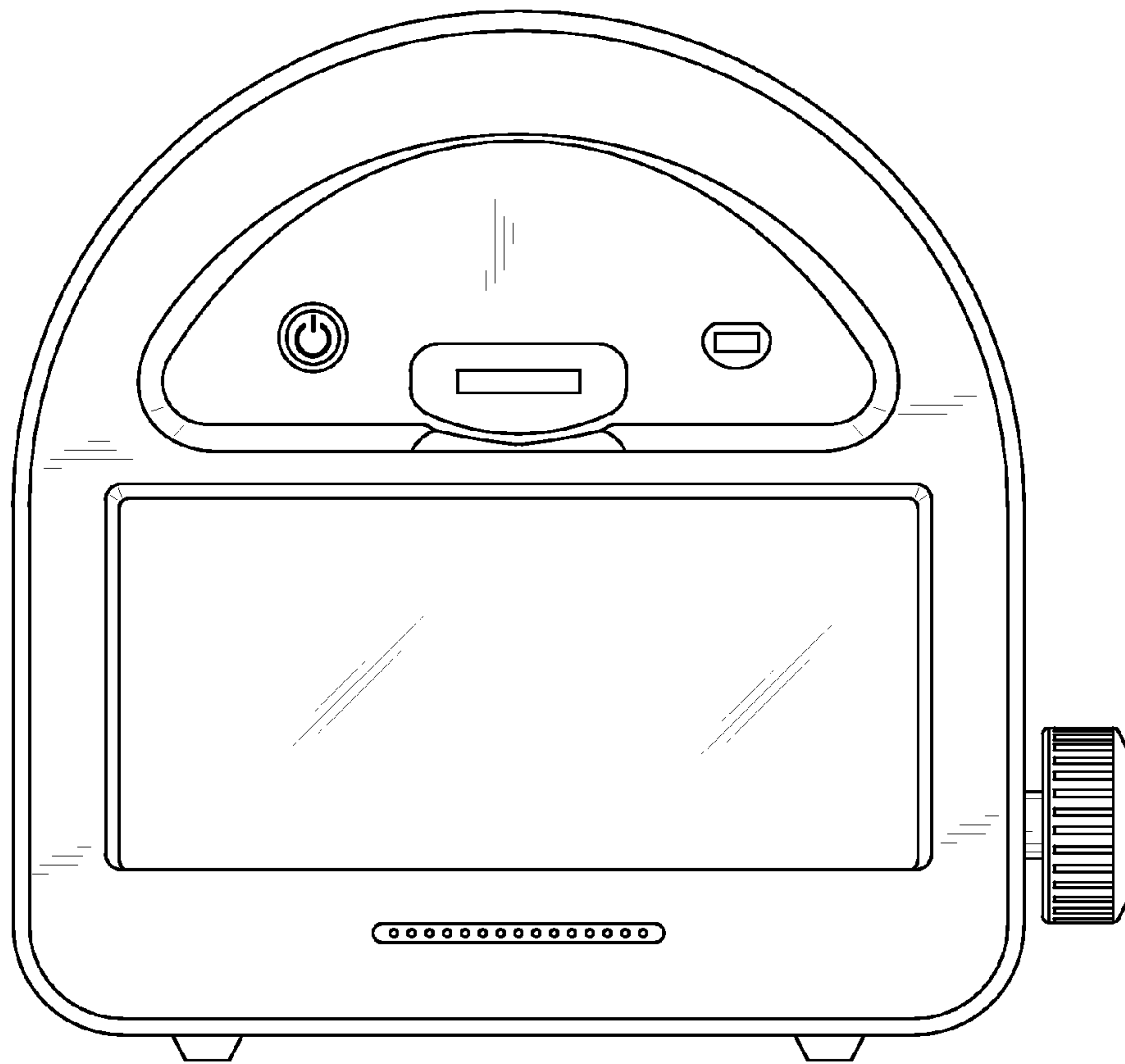


FIG. 5

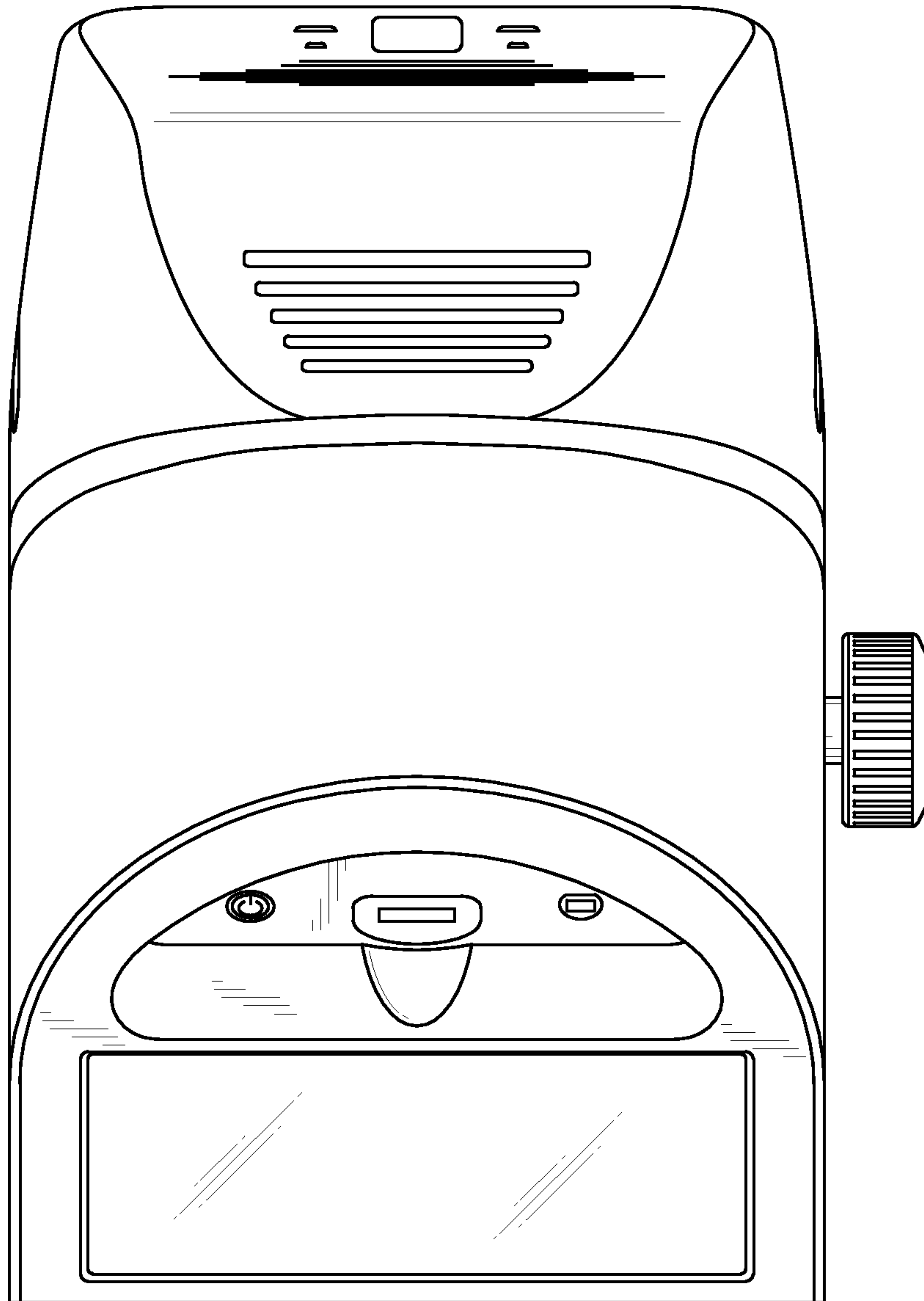


FIG. 6

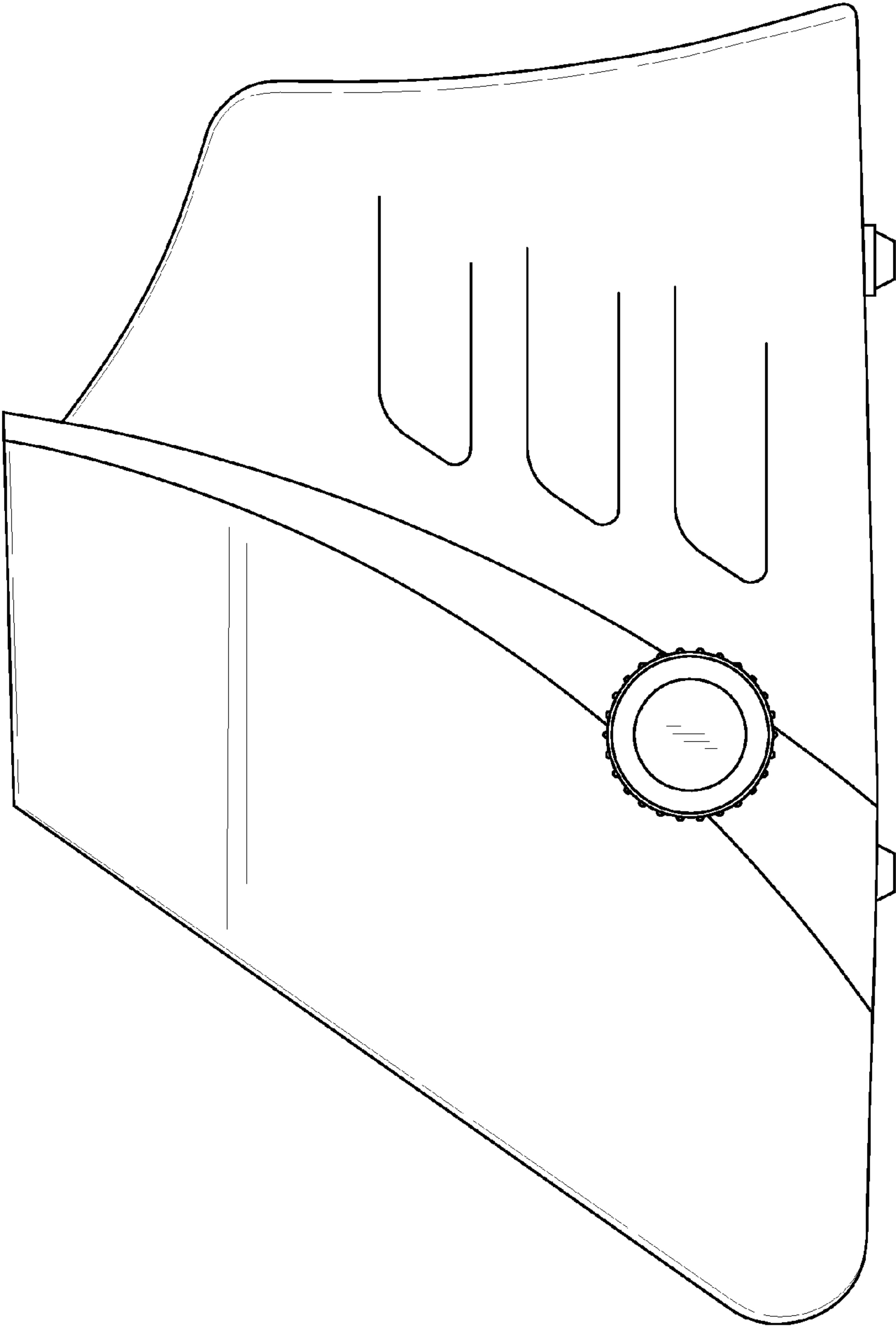


FIG. 7

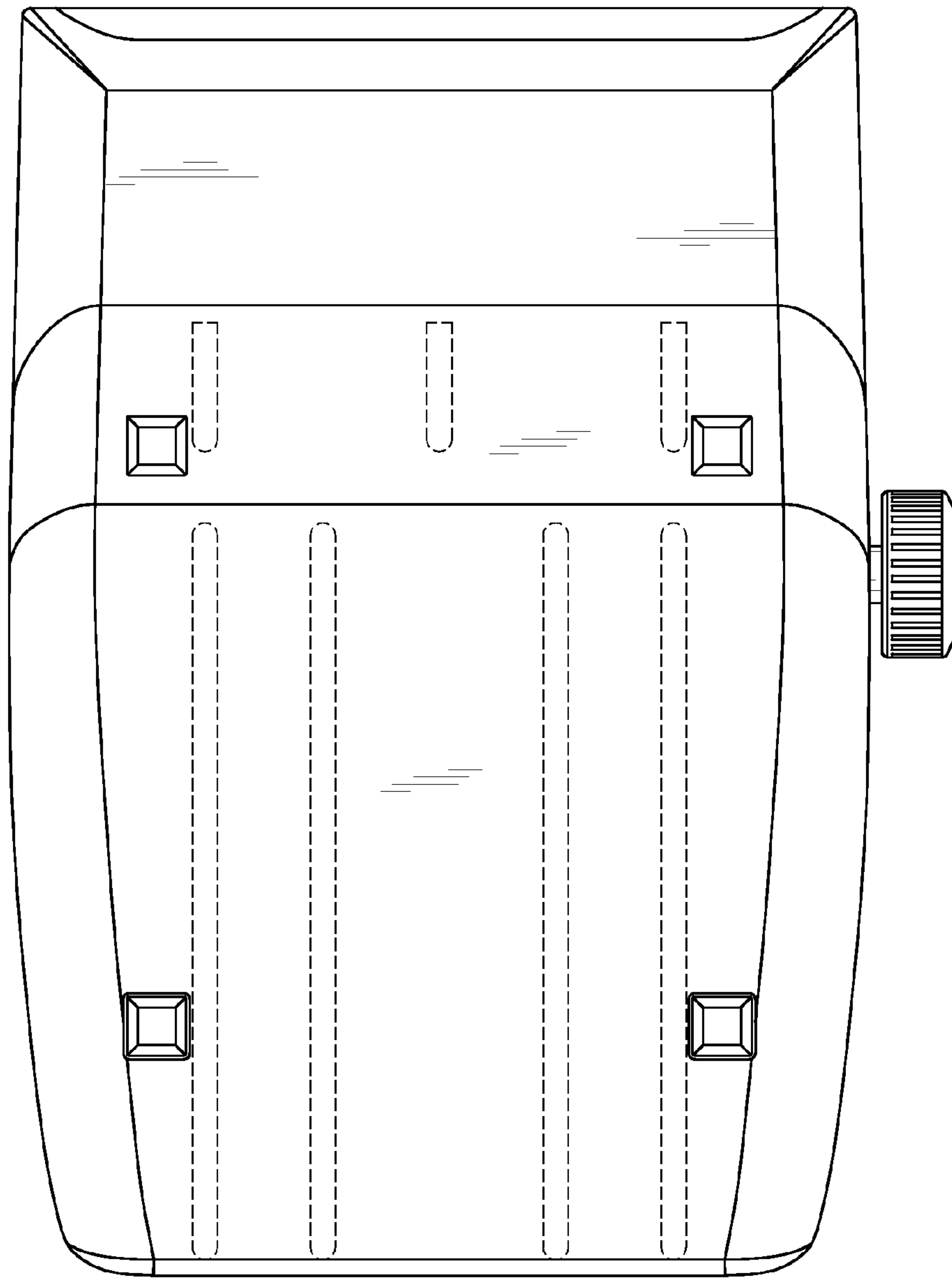


FIG. 8

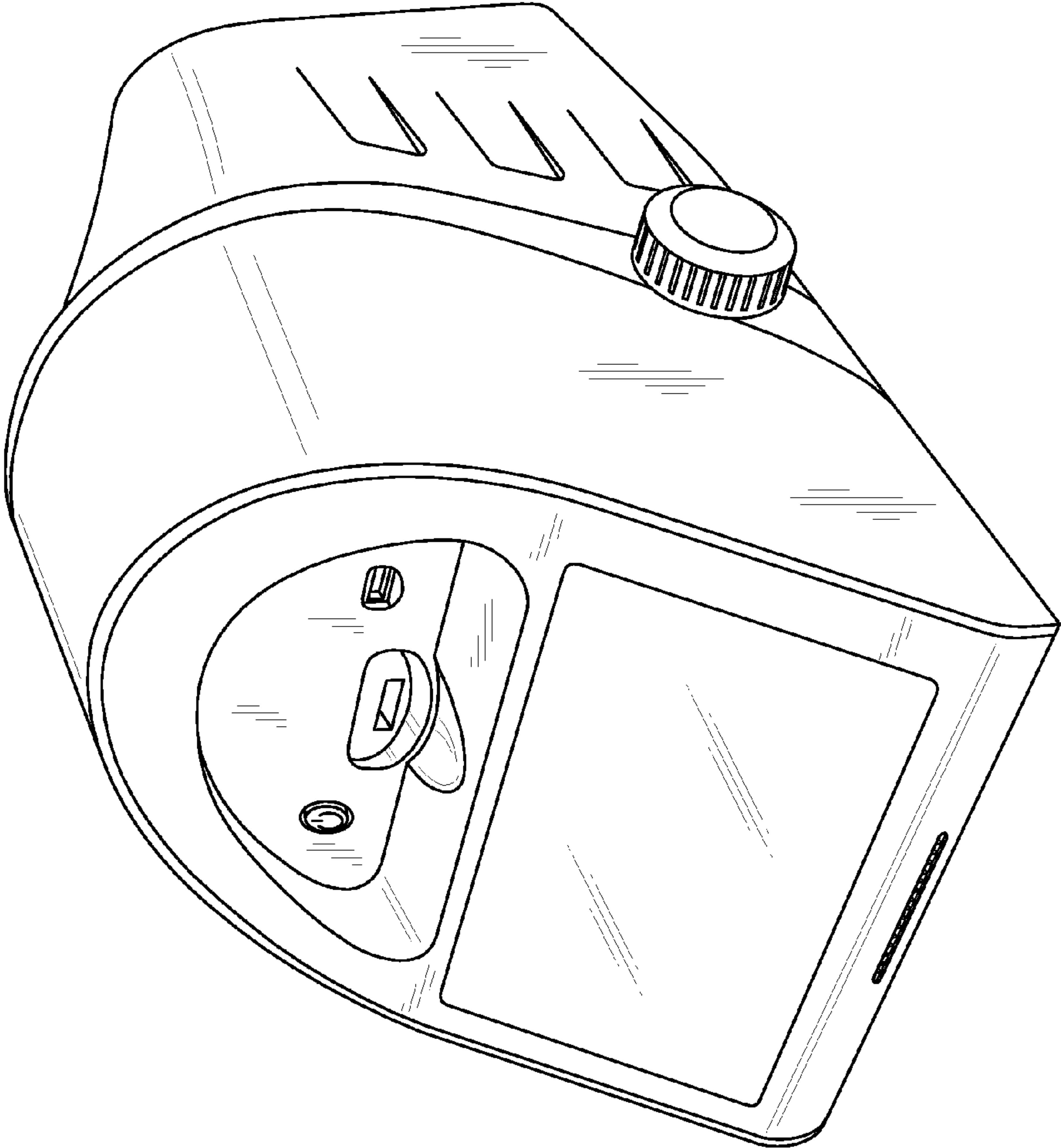


FIG. 9

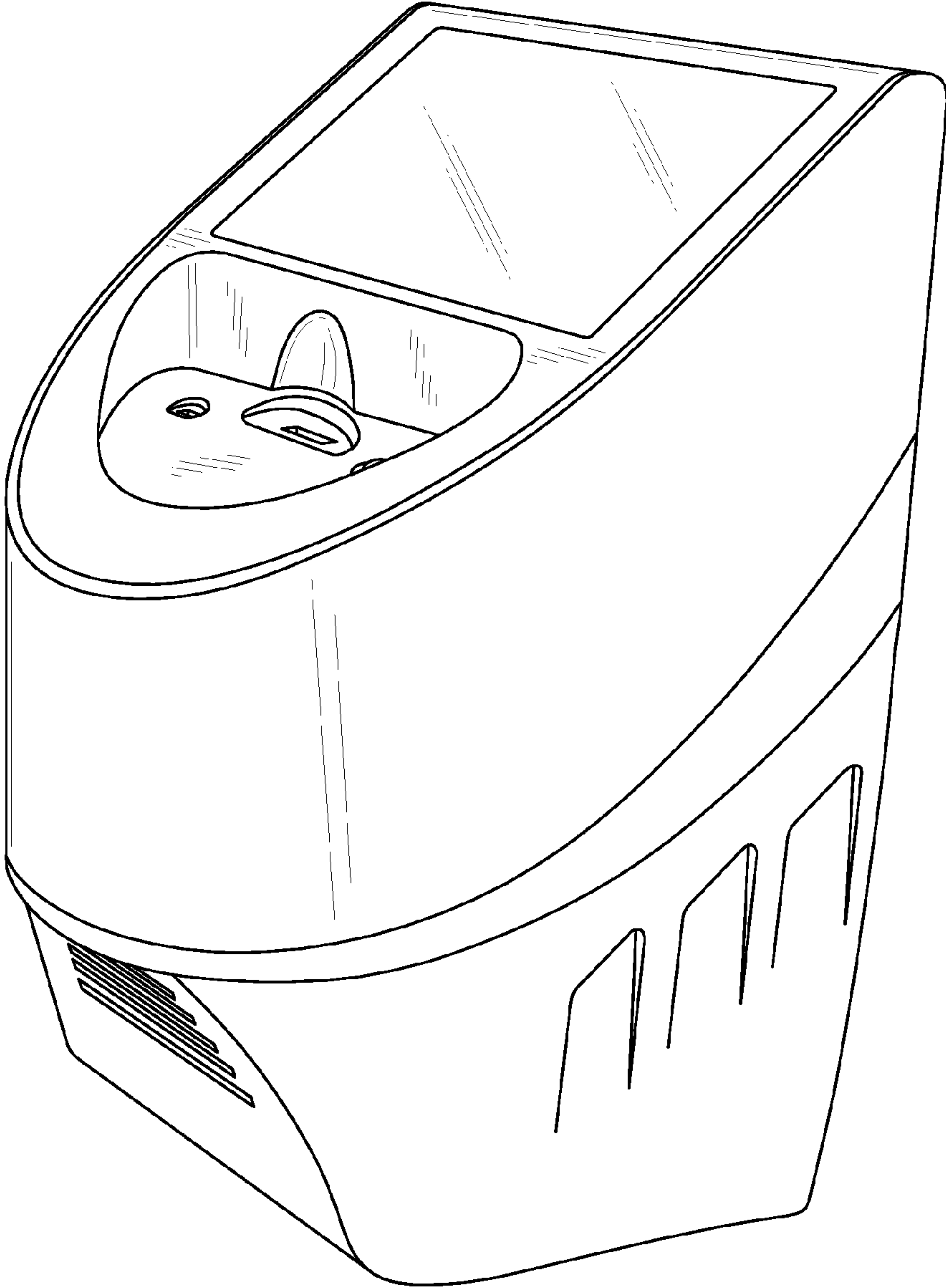


FIG. 10

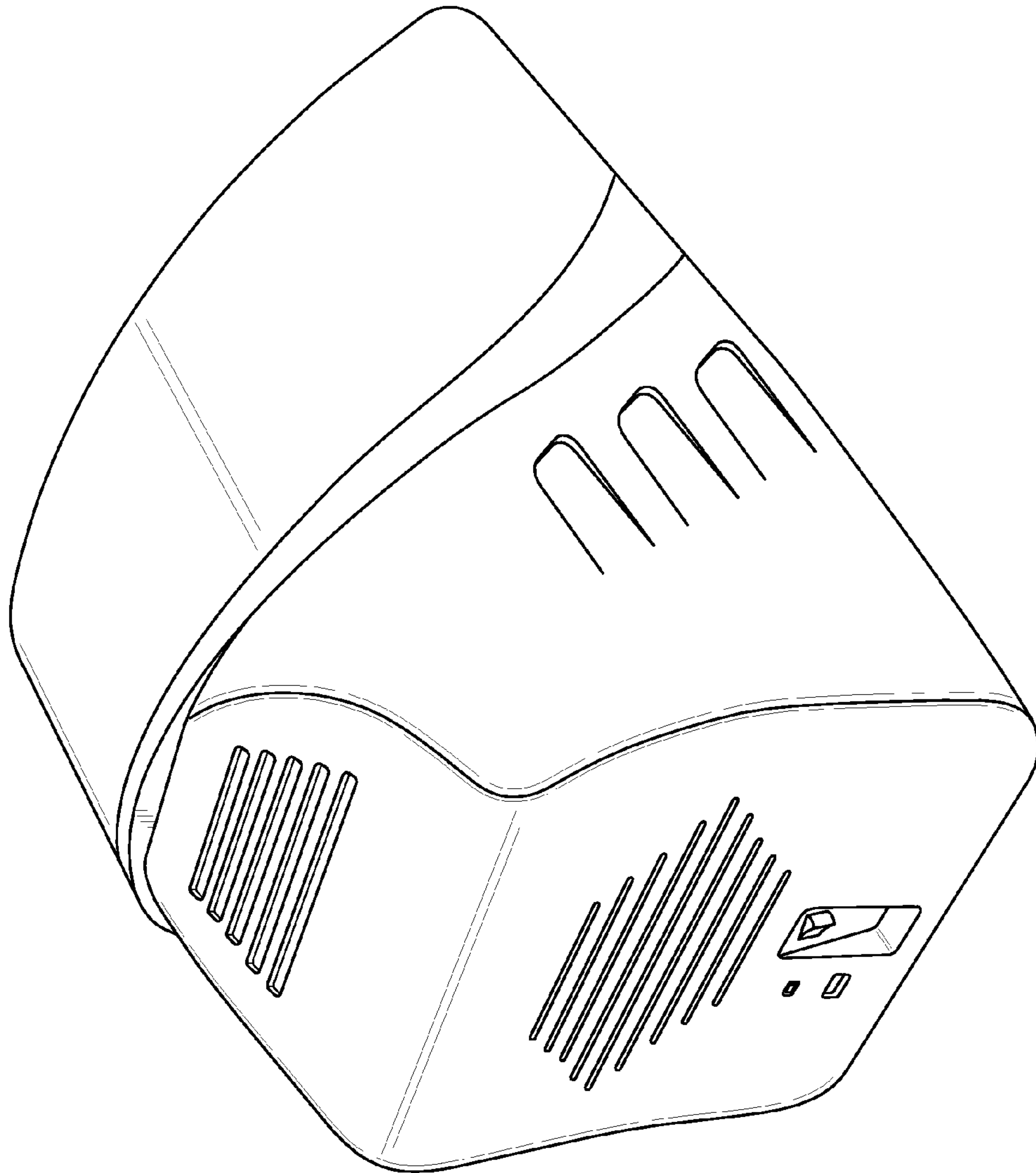


FIG. 11

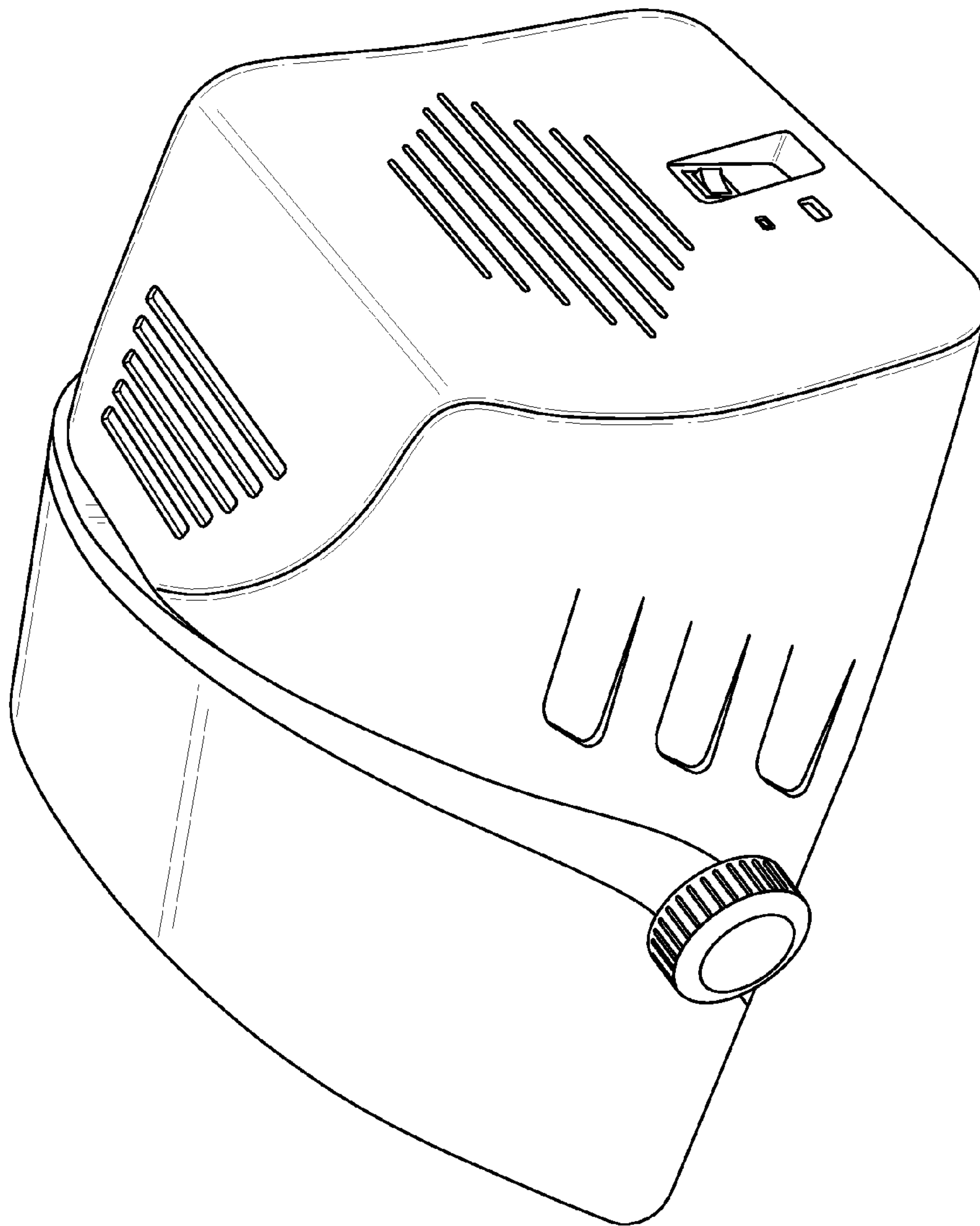


FIG. 12

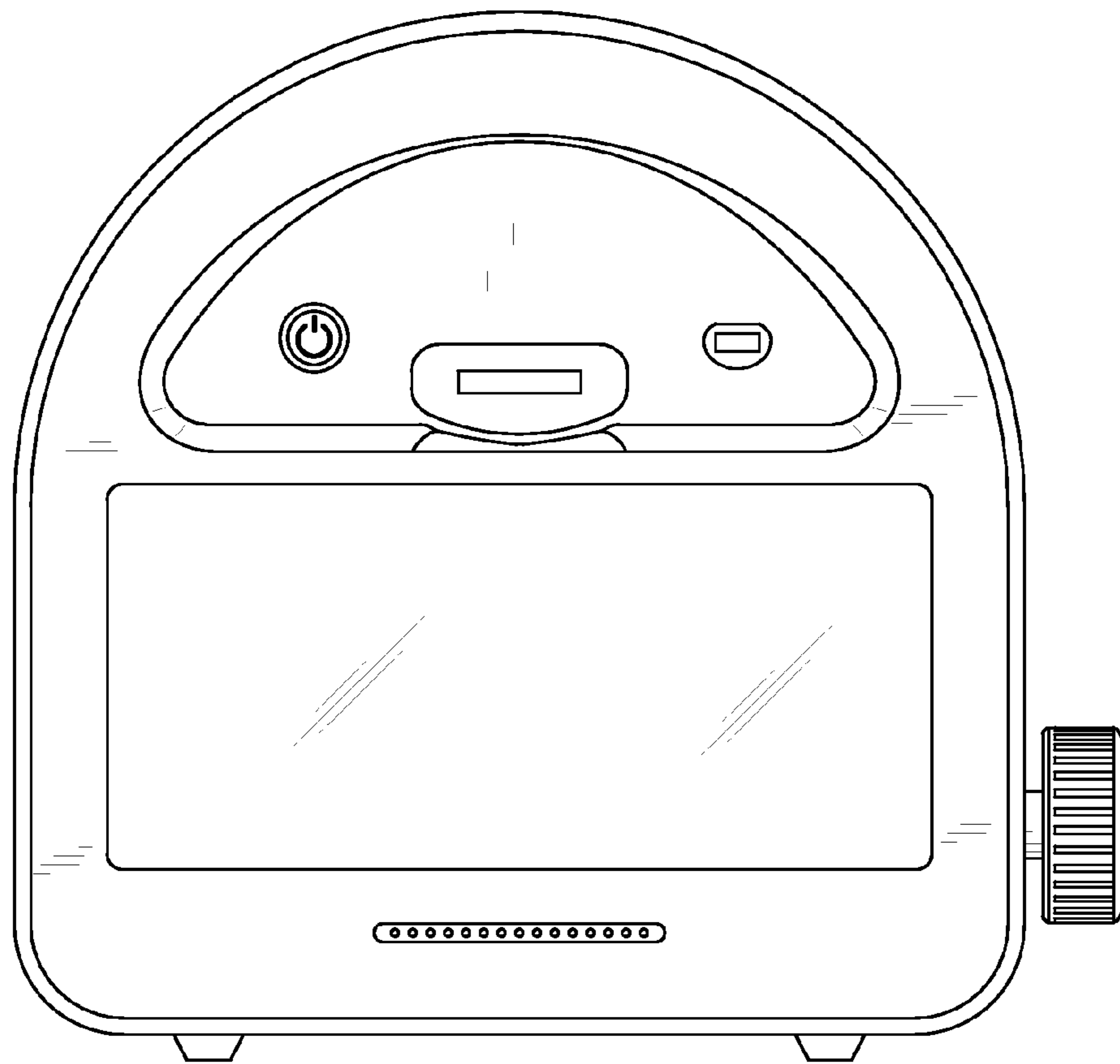


FIG. 13

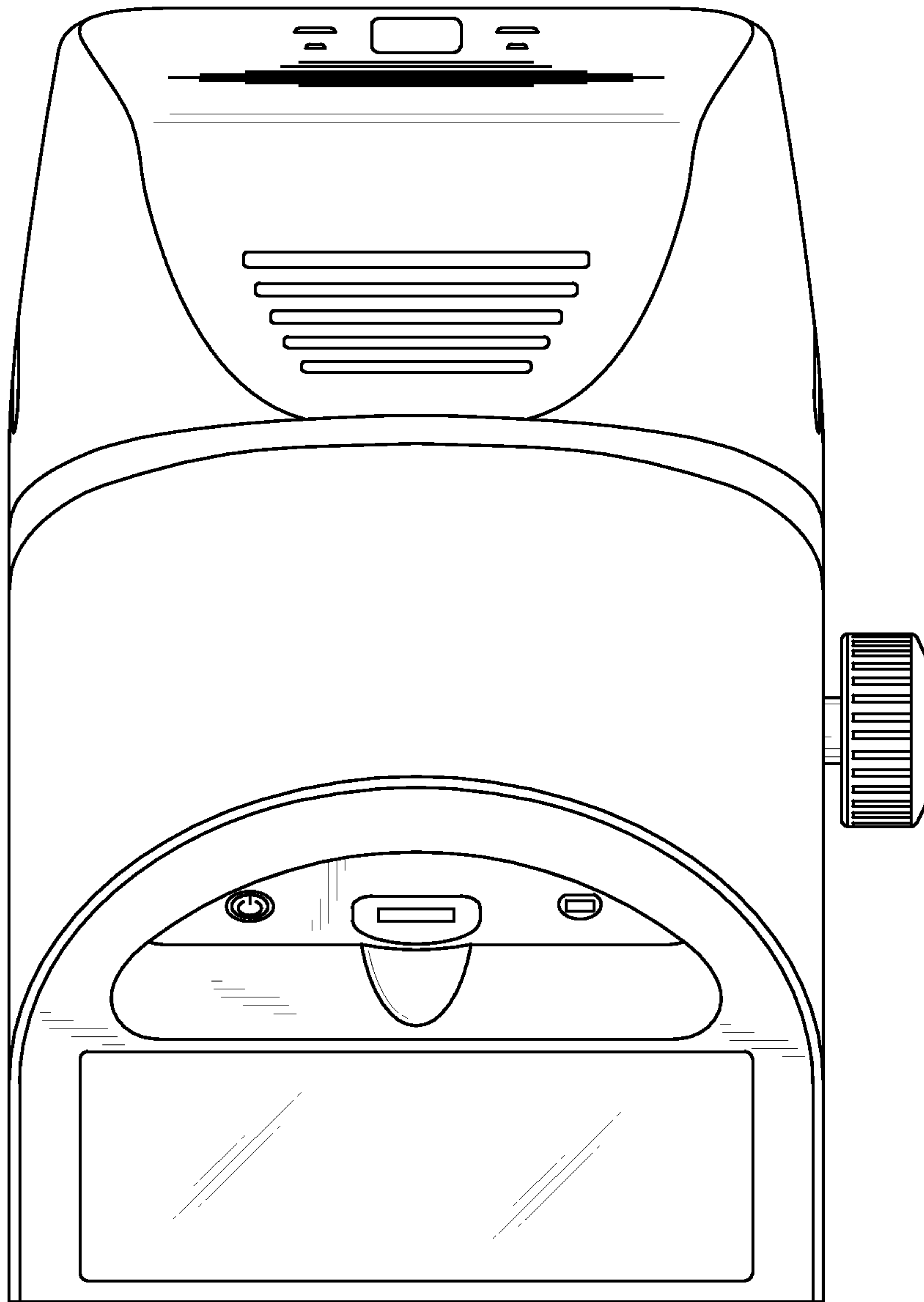


FIG. 14

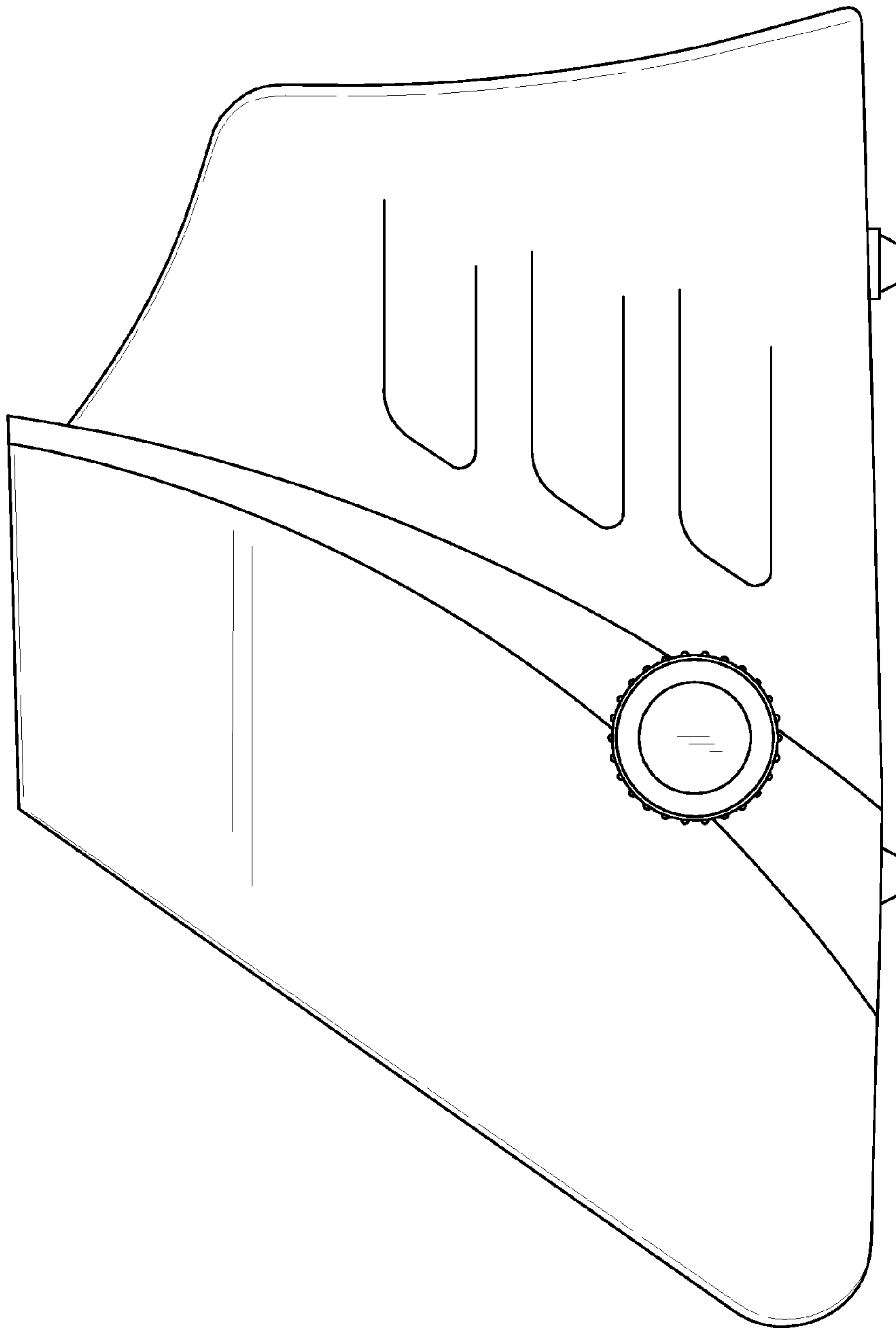


FIG. 15

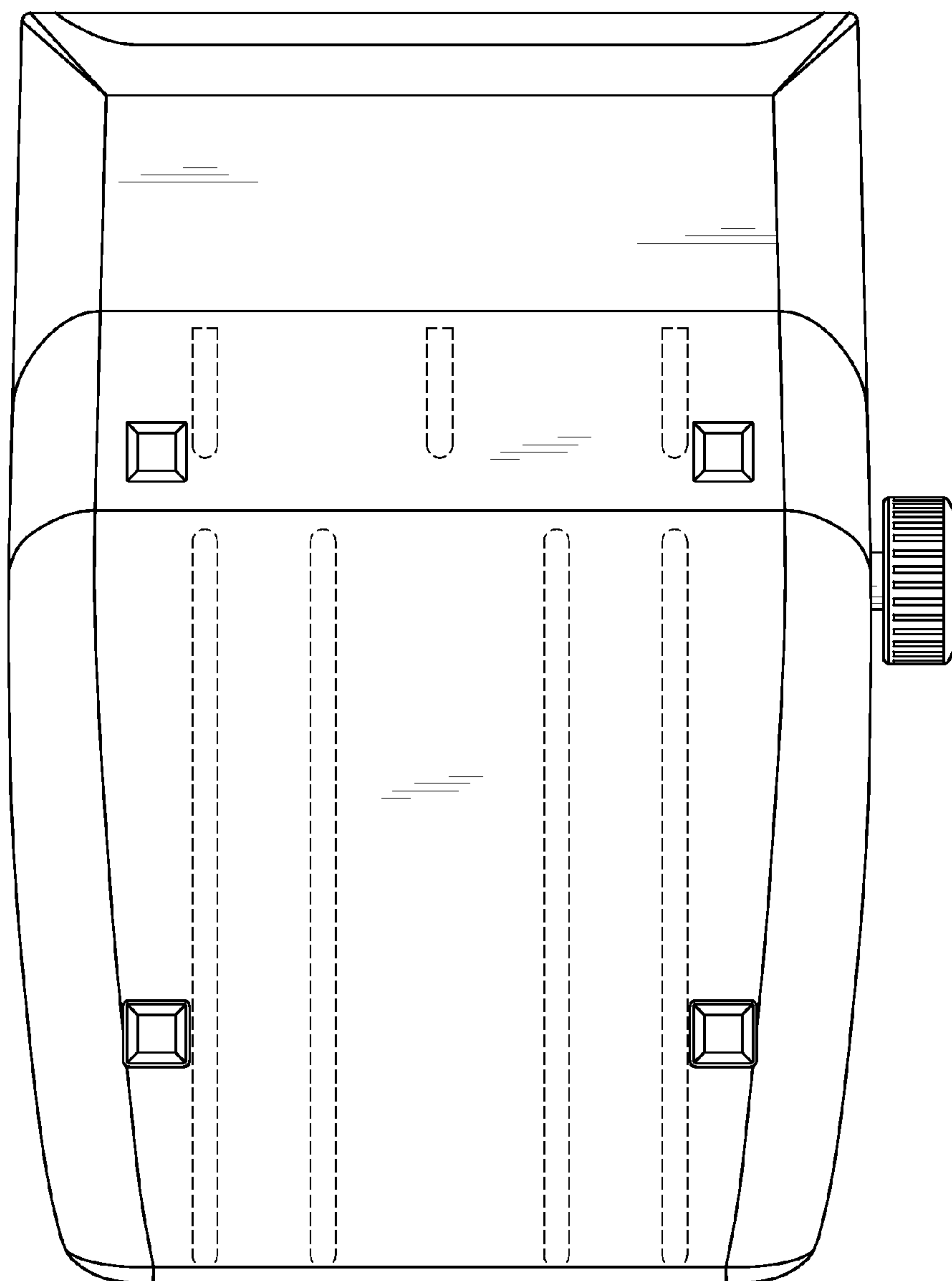


FIG. 16