



US00D680653S

(12) **United States Design Patent**
Fullerton et al.

(10) **Patent No.:** **US D680,653 S**

(45) **Date of Patent:** **** Apr. 23, 2013**

(54) **COMMUNICATOR**

(75) Inventors: **Bruce Fullerton**, Hudson, WI (US);
Christopher Stephen Monnier,
København S (DK)

(73) Assignee: **Cardiac Pacemakers, Inc.**, St. Paul,
MN (US)

(**) Term: **14 Years**

(21) Appl. No.: **29/412,915**

(22) Filed: **Feb. 9, 2012**

(51) **LOC (9) Cl.** **24-01**

(52) **U.S. Cl.**
USPC **D24/167**

(58) **Field of Classification Search** D24/165–168,
D24/107, 185, 186, 187; D10/31, 32, 38,
D10/46, 78, 98; 600/301, 382, 384, 481,
600/483, 485, 500–504, 508, 509, 587, 30,
600/32; D14/336, 341, 371, 126; 607/60,
607/119

See application file for complete search history.

(56) **References Cited**

U.S. PATENT DOCUMENTS

D338,658 S *	8/1993	Suzuki	D24/186
D446,306 S *	8/2001	Ochi et al.	D24/167
D468,735 S *	1/2003	Landerholm et al.	D14/336
D490,516 S *	5/2004	Takahashi et al.	D24/107
D508,565 S *	8/2005	Nepin et al.	D24/186
D536,793 S *	2/2007	Assad et al.	D24/185

D598,551 S *	8/2009	Miwa et al.	D24/186
D612,503 S *	3/2010	Johnston et al.	D24/186
D613,411 S *	4/2010	Collins et al.	D24/186
D651,103 S *	12/2011	Greenberg et al.	D10/70
D654,450 S *	2/2012	McManigal et al.	D14/129
D664,257 S *	7/2012	Patil	D24/186
2007/0299350 A1 *	12/2007	Lev et al.	600/485

* cited by examiner

Primary Examiner — Anhdao Doan

(74) *Attorney, Agent, or Firm* — Schwegman Lundberg &
Woessner, P.A.

(57) **CLAIM**

The ornamental design for a communicator, as shown and described.

DESCRIPTION

FIG. 1 is a front right perspective view of a communicator incorporating our new design.

FIG. 2 is a back right perspective view of the communicator.

FIG. 3 is a front view of the communicator.

FIG. 4 is a back view of the communicator.

FIG. 5 is a top view of the communicator viewed directly from a display portion.

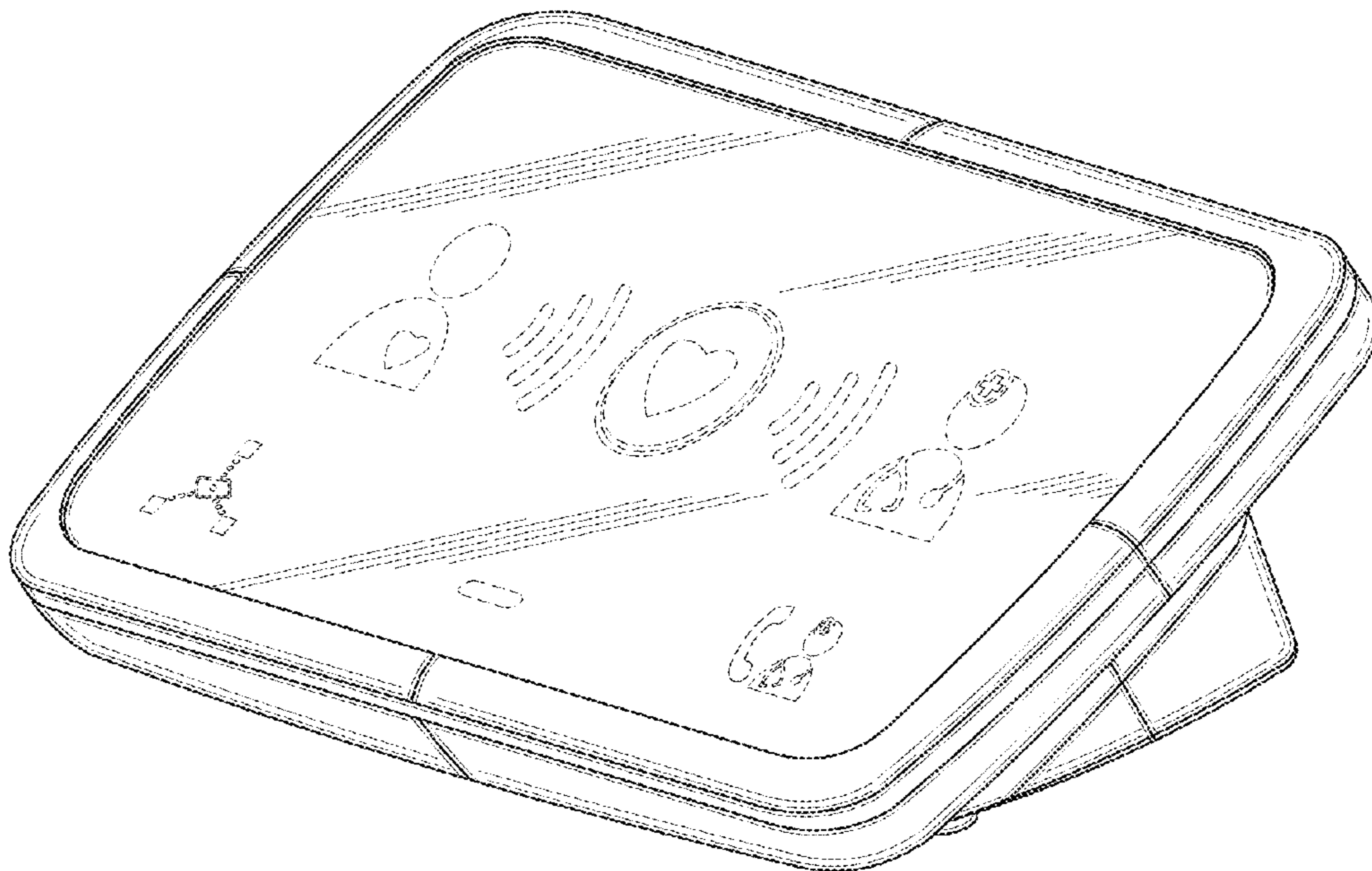
FIG. 6 is a bottom view of the communicator, which is a direct opposite view of FIG. 5.

FIG. 7 is a right side view of the communicator; and,

FIG. 8 is a left side view of the communicator.

The broken lines in the drawings are included for the purpose of illustrating portions of the communicator that form no part of the claimed design.

1 Claim, 6 Drawing Sheets



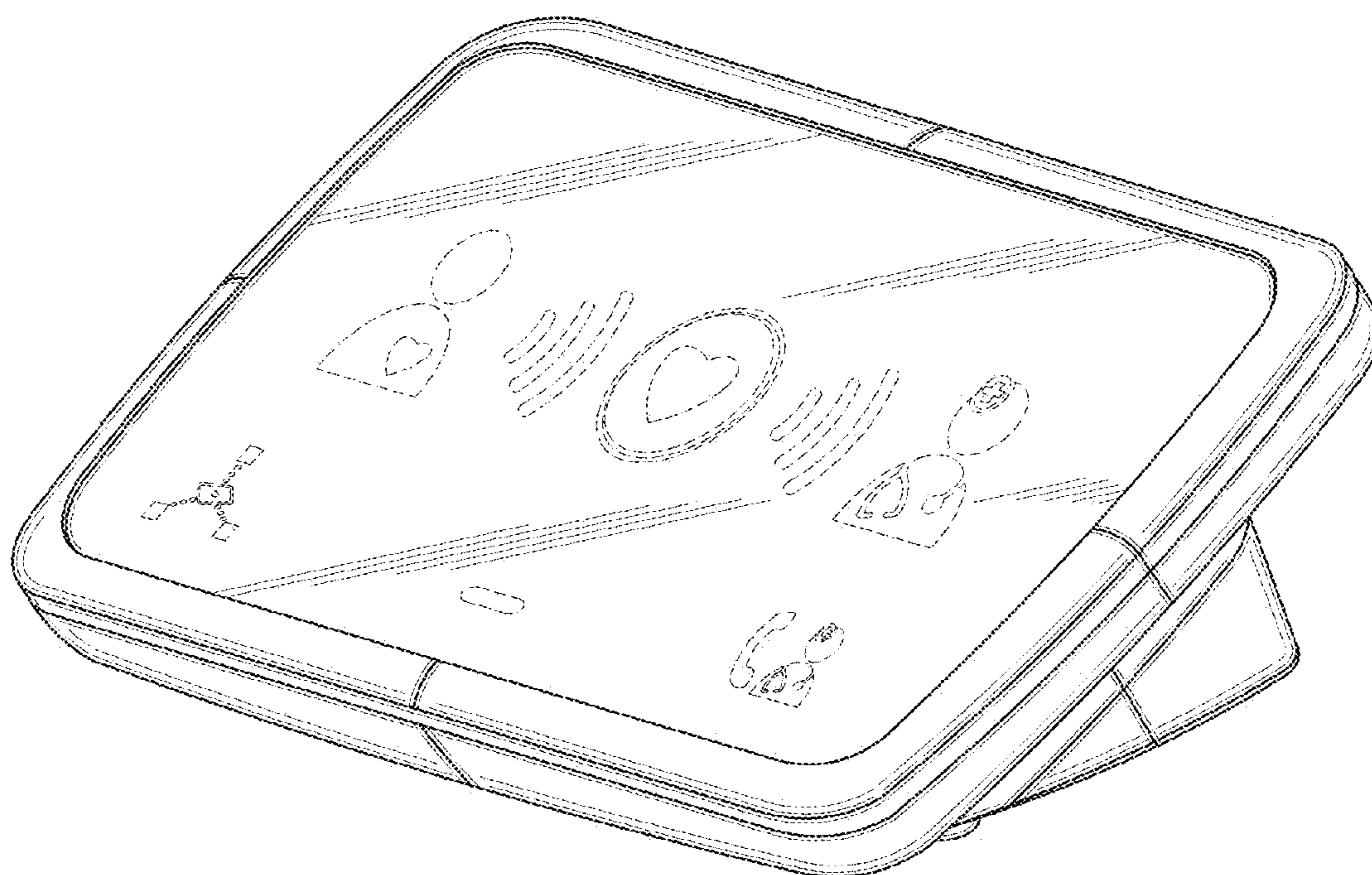


FIG. 1

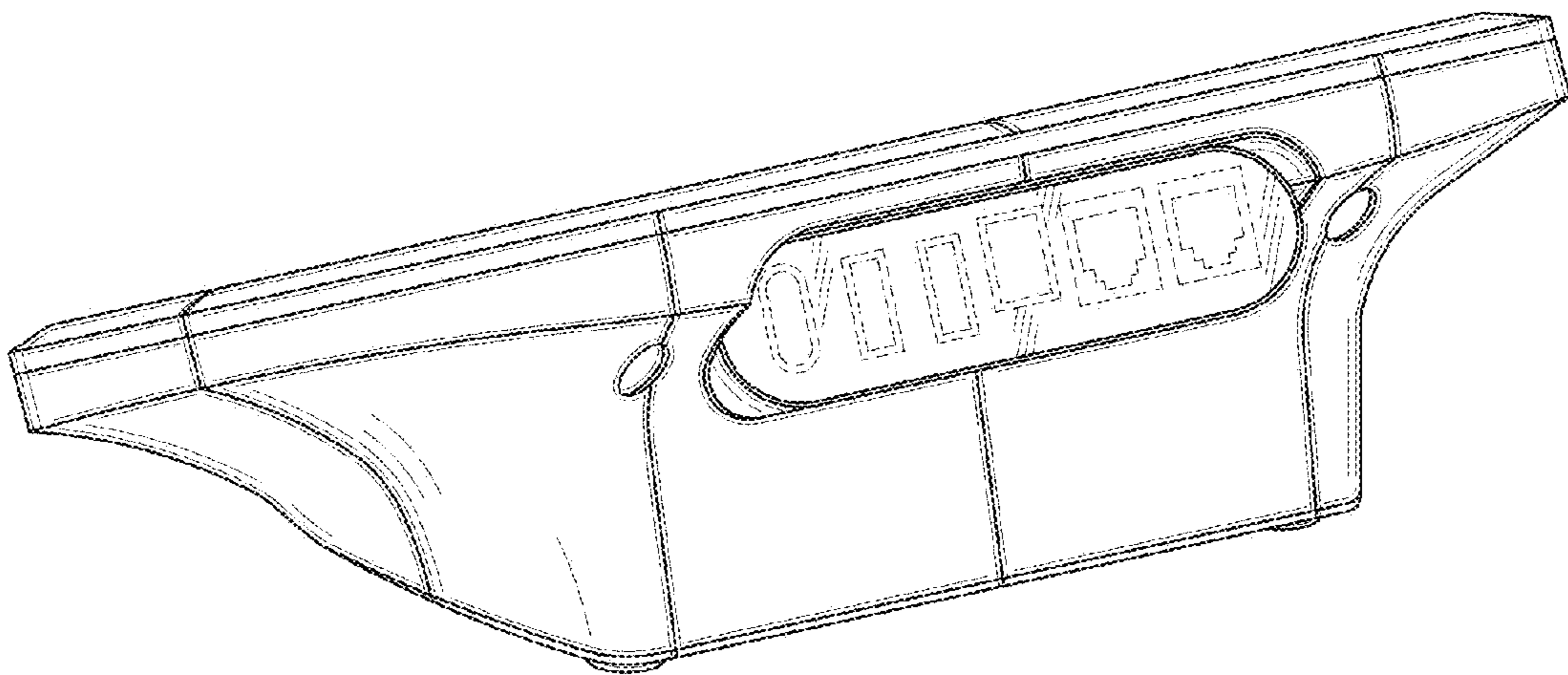


FIG. 2

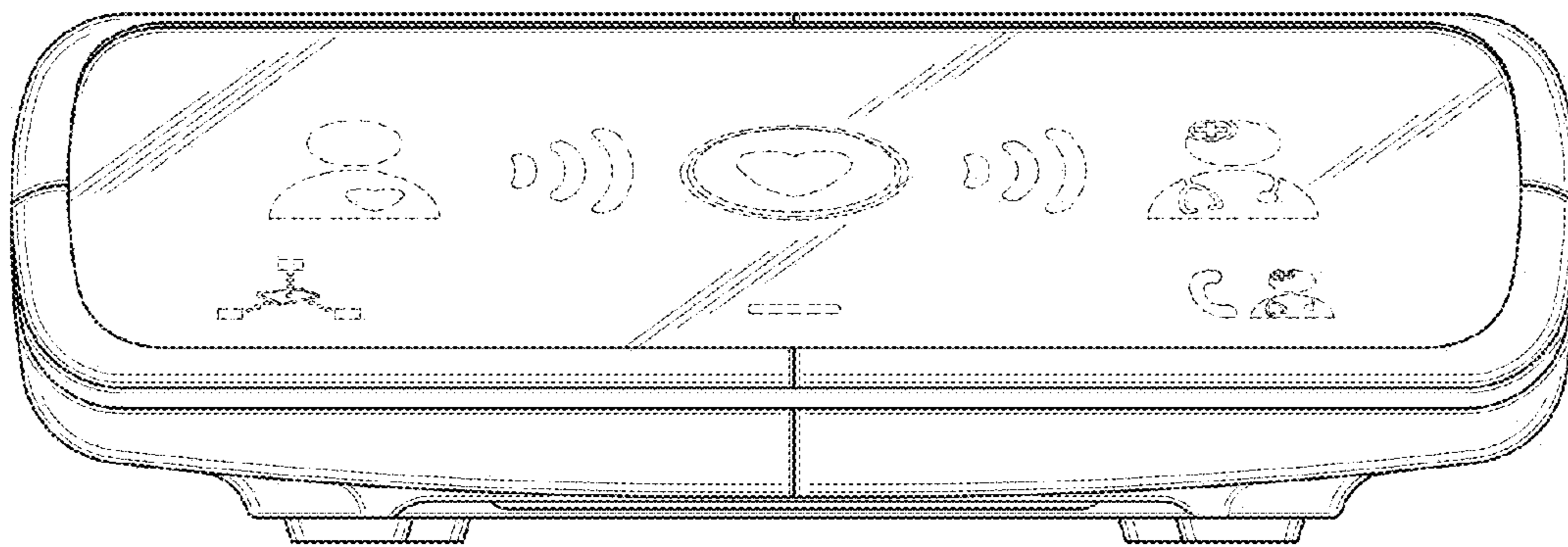


FIG. 3

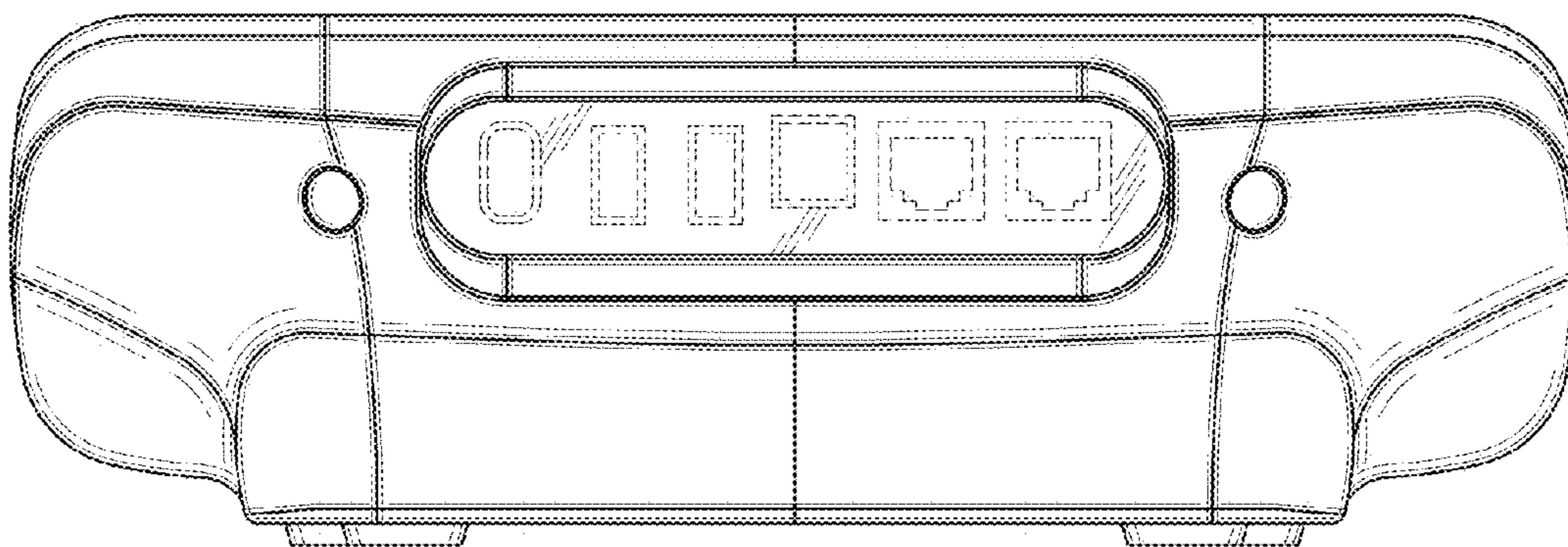


FIG. 4

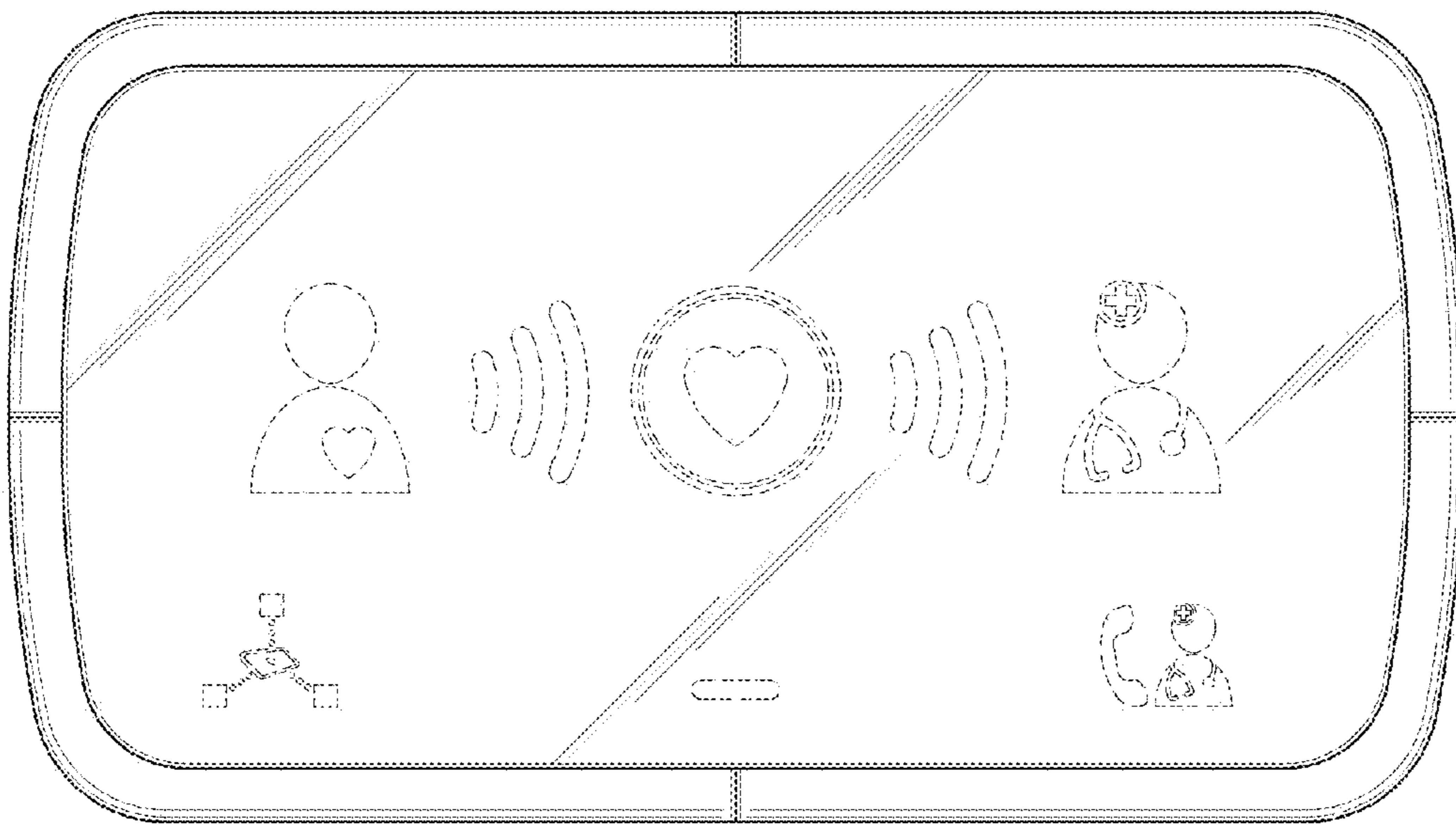


FIG. 5

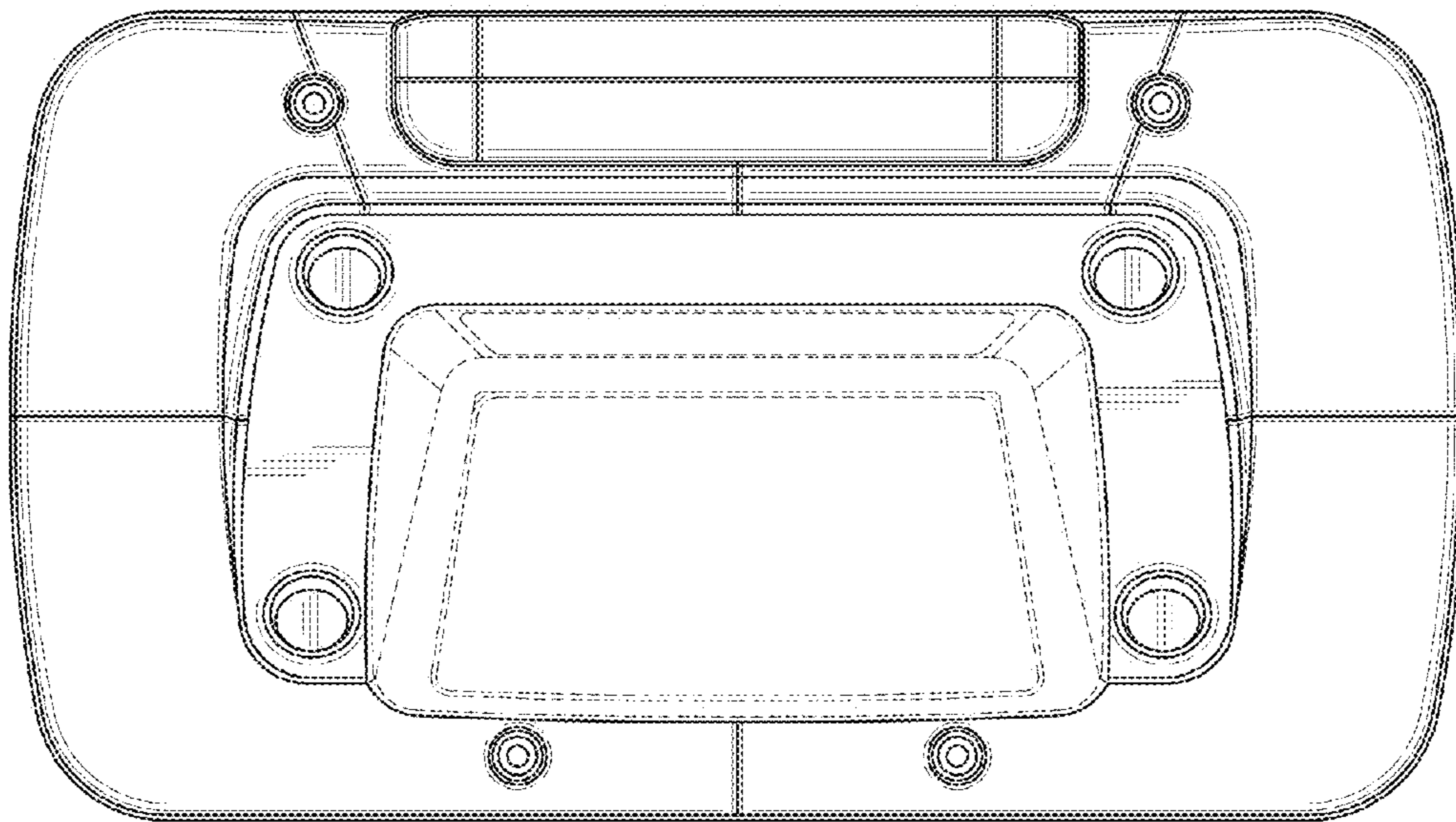


FIG. 6

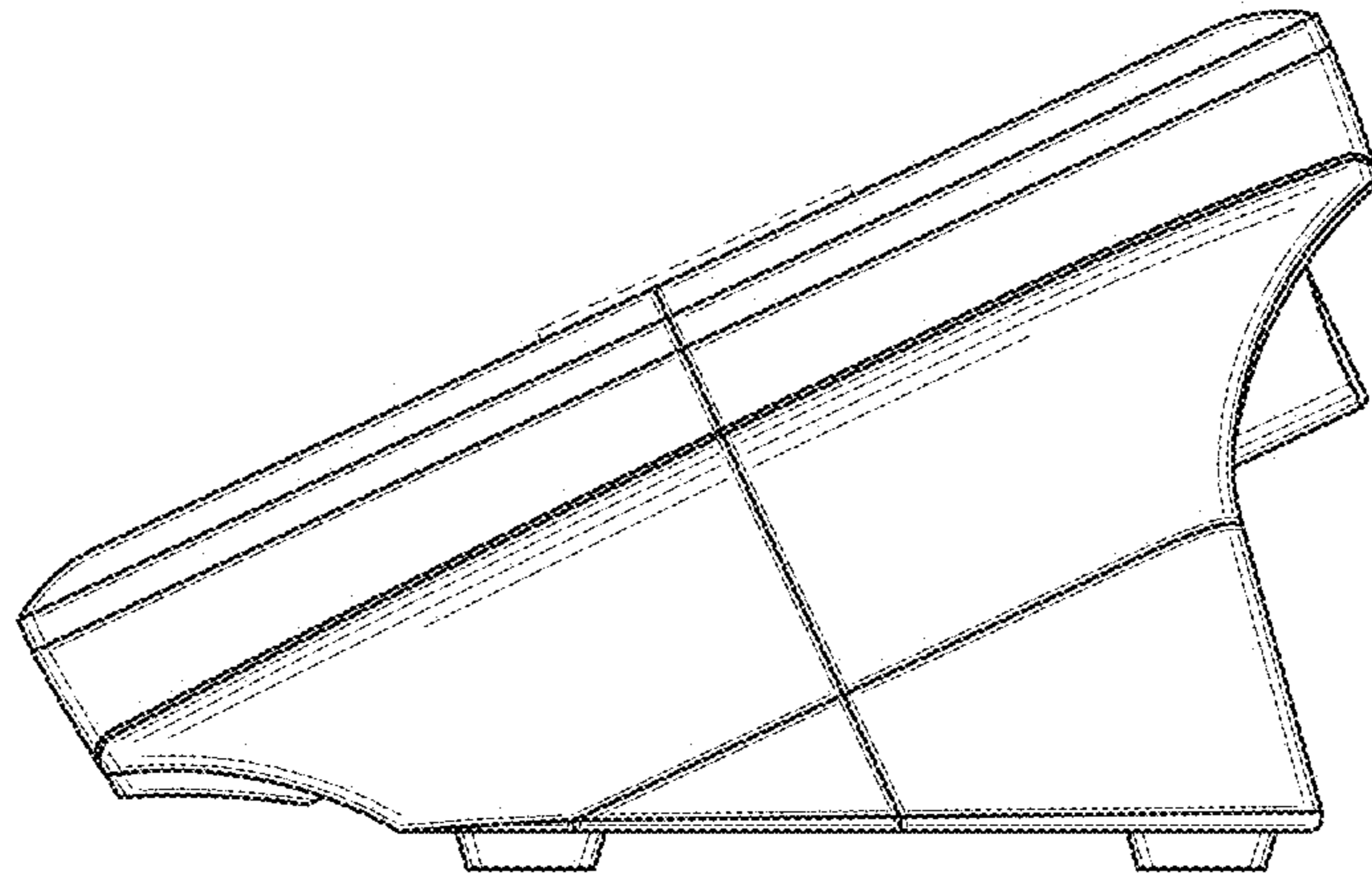


FIG. 7

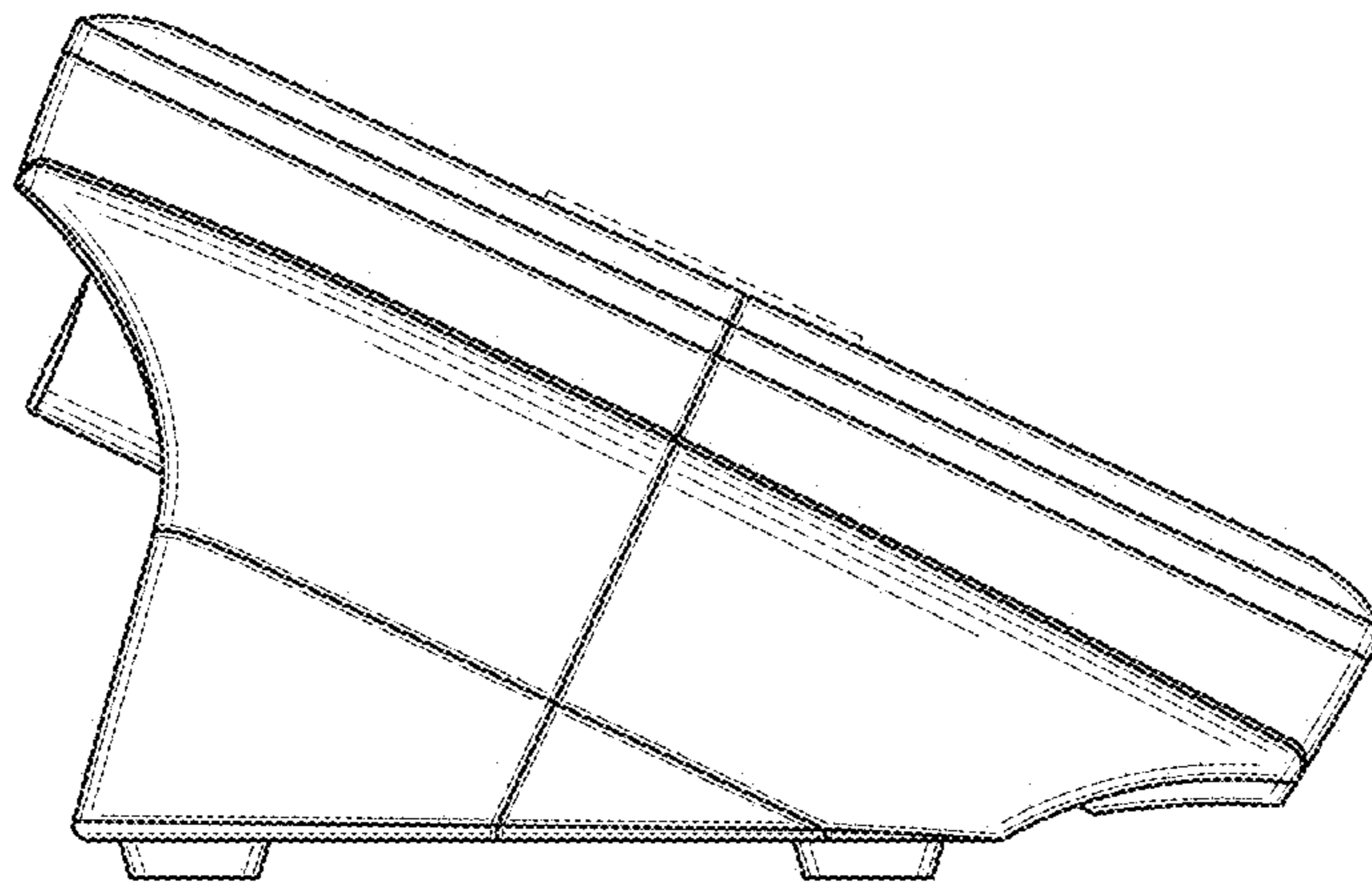


FIG. 8