



US00D680652S

(12) **United States Design Patent**
Centen et al.

(10) **Patent No.:** **US D680,652 S**
(45) **Date of Patent:** **** Apr. 23, 2013**

(54) **REFERENCE SENSOR FOR CPR FEEDBACK DEVICE**

(75) Inventors: **Corey J. Centen**, Victoria (CA); **Sarah A. Smith**, Victoria (CA); **Gregory V. Browne**, Redmond, WA (US); **Ryan D. Lee**, Victoria (CA); **Maegan P. Wilkinson**, Seattle, WA (US); **Richard C. Nova**, Kirkland, WA (US); **Chad Alan Follmar**, Louisville, CO (US); **David Mark VandeRiet**, Louisville, CO (US); **Seth Paul Lynch**, Raleigh, NC (US); **Mark Catron**, Louisville, CO (US); **Chad Clayton Walters**, Apex, NC (US)

(73) Assignee: **Physio-Control, Inc.**, Redmond, WA (US)

(**) Term: **14 Years**

(21) Appl. No.: **29/403,129**

(22) Filed: **Sep. 30, 2011**

(51) **LOC (9) Cl.** **24-01**

(52) **U.S. Cl.**
USPC **D24/167**

(58) **Field of Classification Search** D24/165-168, D24/107, 186, 187, 200; D10/46, 78, 98; 600/587, 509; 128/200.24; 601/41; 434/262, 434/265; 607/5-7, 142; D14/251; D13/103, D13/107, 108

See application file for complete search history.

(56) **References Cited**

U.S. PATENT DOCUMENTS

D338,730	S	*	8/1993	Bible	D24/167
D422,965	S	*	4/2000	Laufer et al.	D13/108
D467,661	S	*	12/2002	Buckley et al.	D24/187
D524,444	S	*	7/2006	Tomioka et al.	D24/186
7,429,250	B2	*	9/2008	Halperin et al.	601/41
D590,508	S	*	4/2009	Tupin, Jr.	D24/186
D604,418	S	*	11/2009	Jones et al.	D24/165
D634,846	S	*	3/2011	Vivenzio et al.	D24/167
2009/0163838	A1	*	6/2009	Hecox et al.	601/41
2010/0228165	A1	*	9/2010	Centen	601/41
2010/0261979	A1	*	10/2010	Kiani	600/301

* cited by examiner

Primary Examiner — Anhdao Doan

(74) *Attorney, Agent, or Firm* — Marger Johnson & McCollom PC

(57) **CLAIM**

The ornamental design for a reference sensor for CPR feedback device, as shown and described.

DESCRIPTION

FIG. 1 is a top and side perspective view of a reference sensor for CPR feedback device showing our new design;

FIG. 2 is a bottom perspective view thereof.

FIG. 3 is a top view thereof.

FIG. 4 is a bottom view thereof.

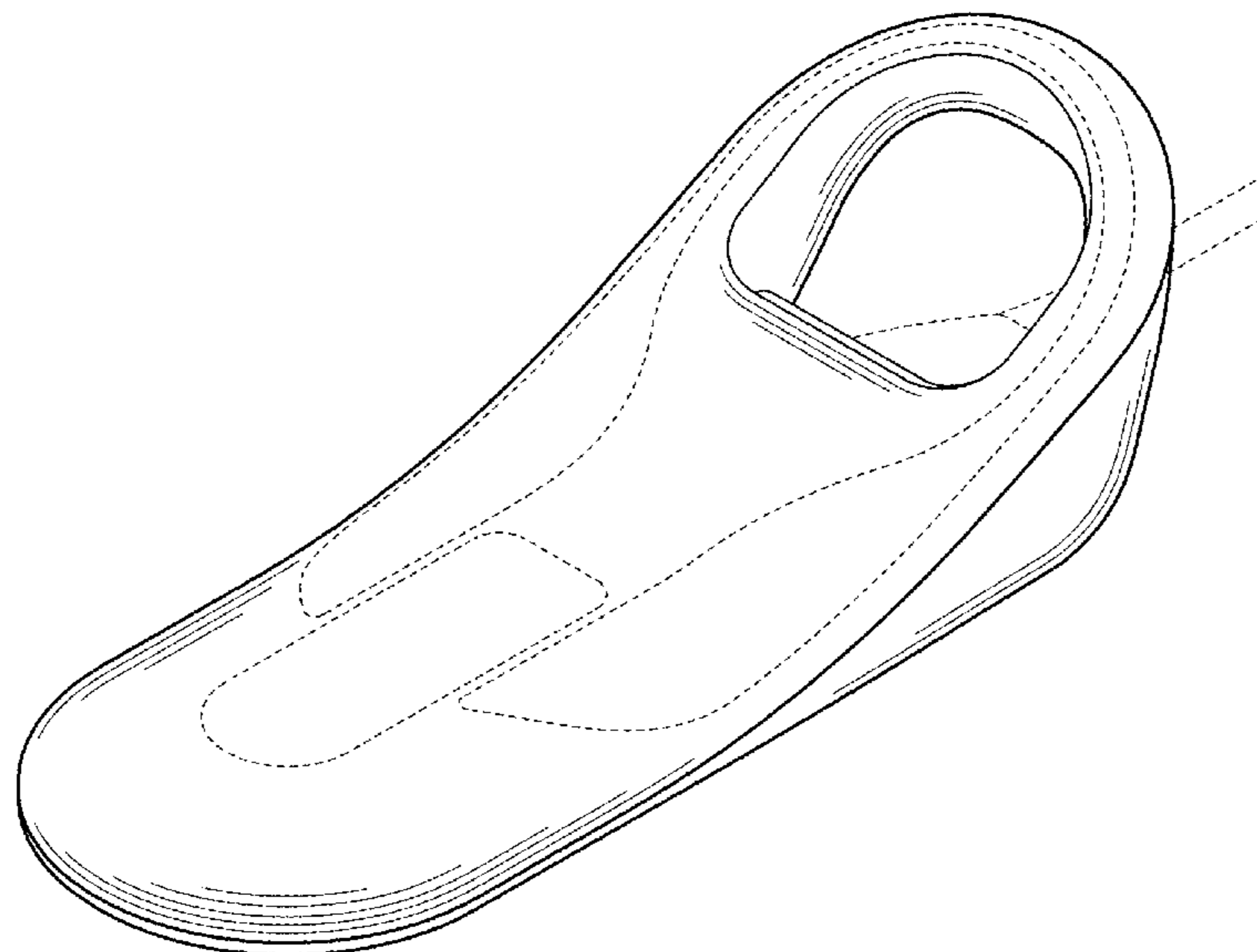
FIG. 5 is a side view thereof, the opposite side view being identical.

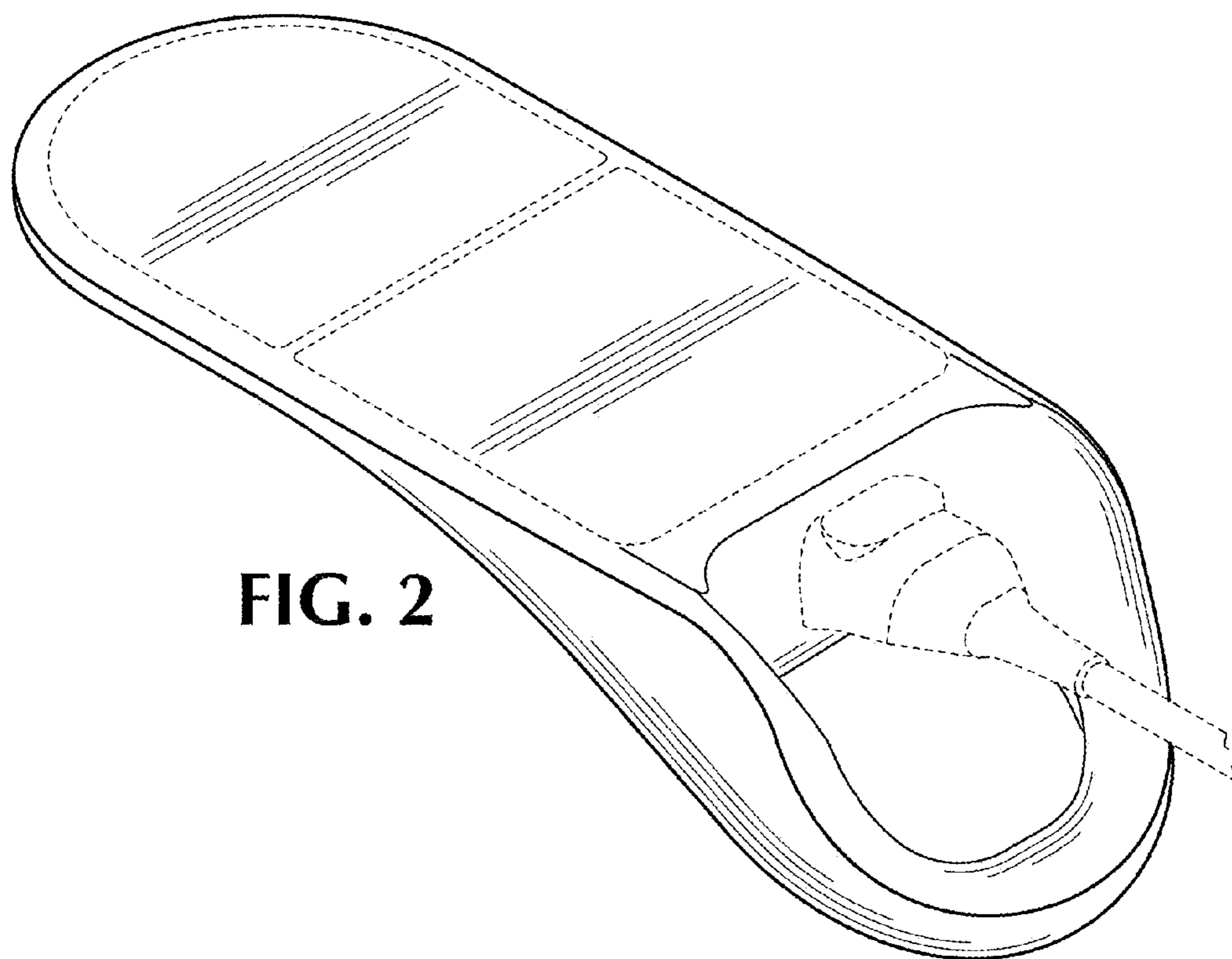
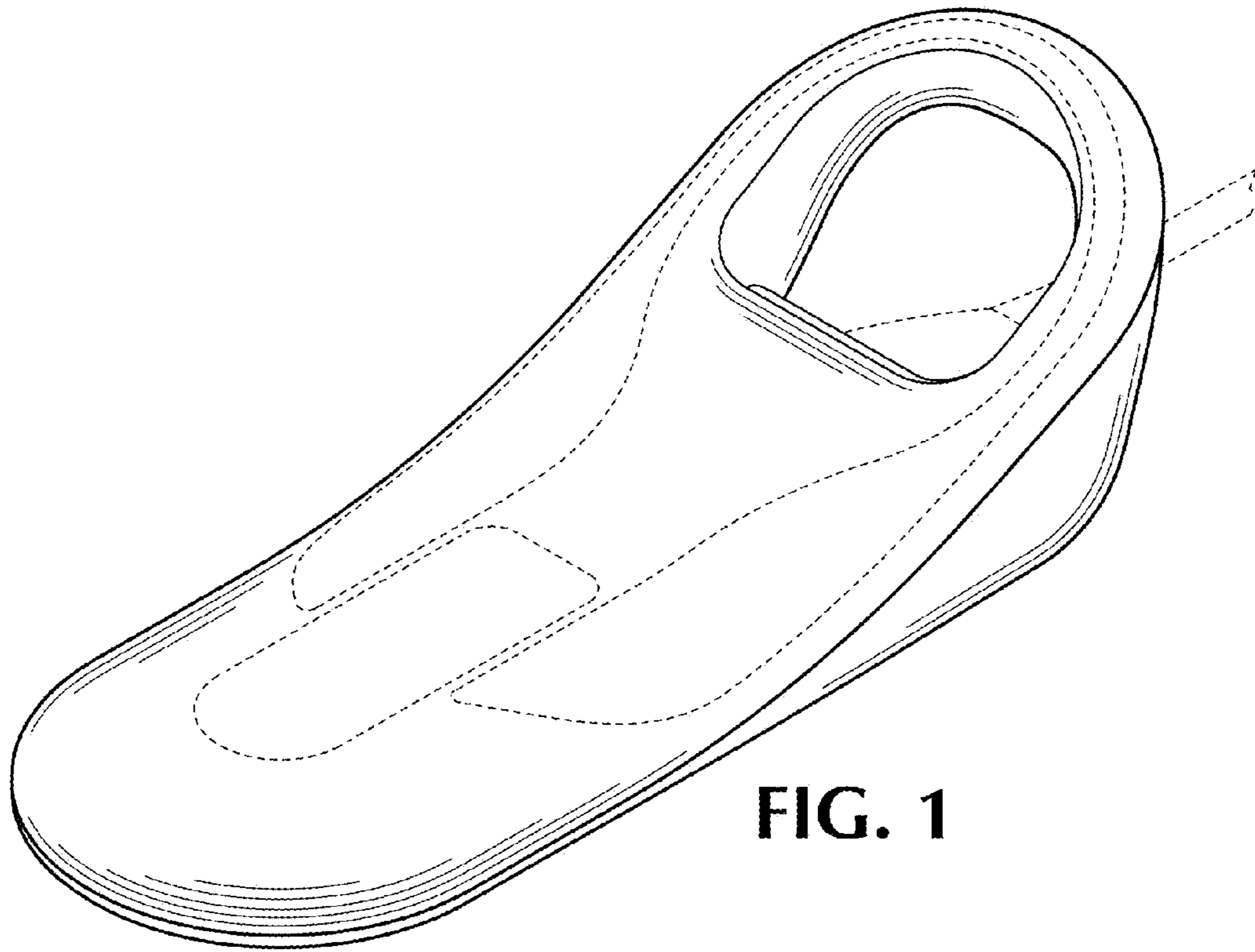
FIG. 6 is a first end view thereof; and,

FIG. 7 is a second end view thereof.

The broken lines in the drawing views are included for the purpose of illustrating portions of the reference sensor for CPR feedback device that form no part of the claimed design.

1 Claim, 3 Drawing Sheets





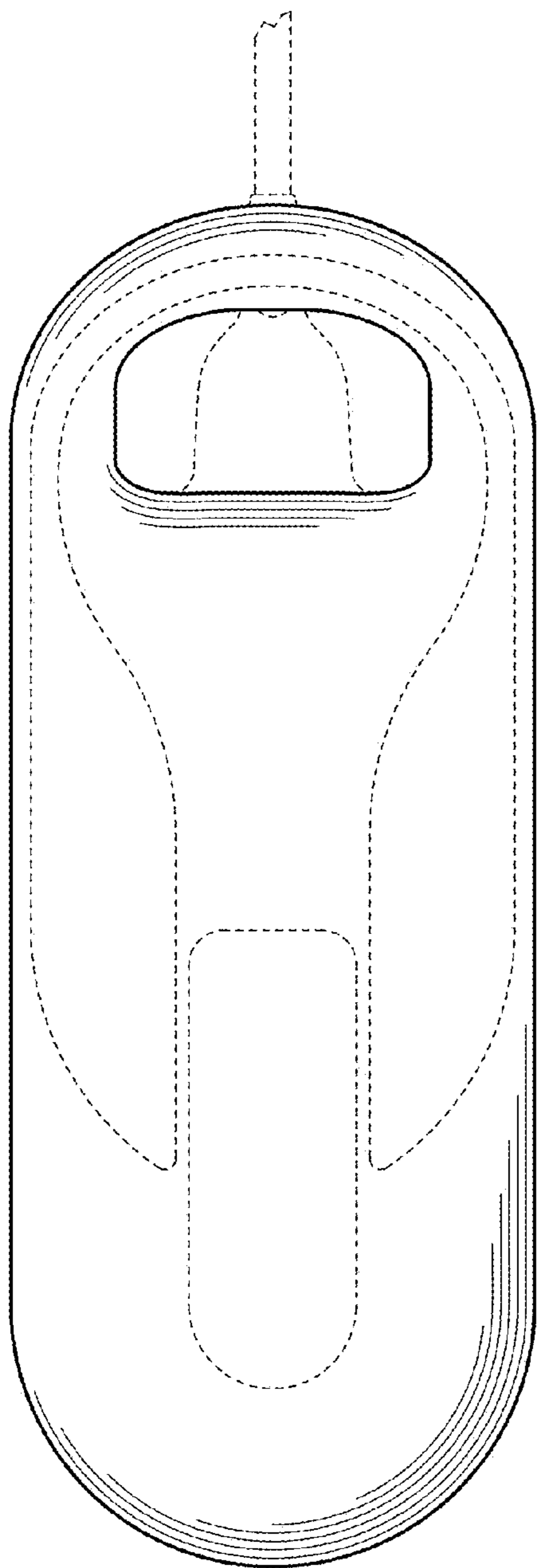


FIG. 3

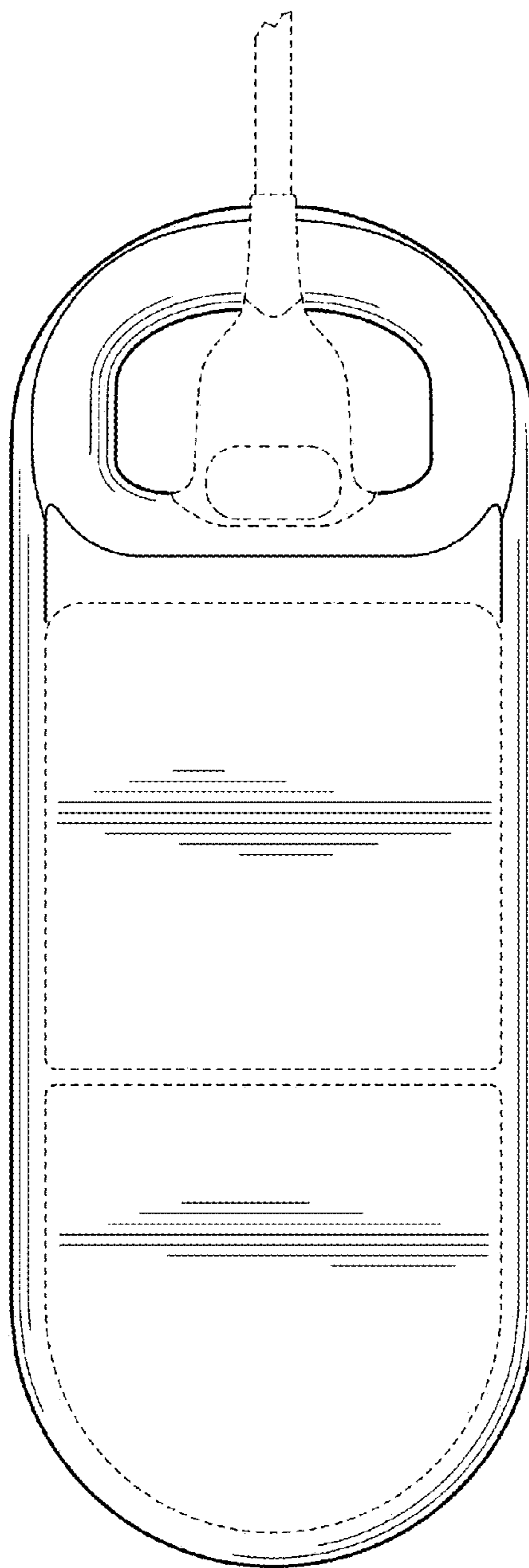


FIG. 4

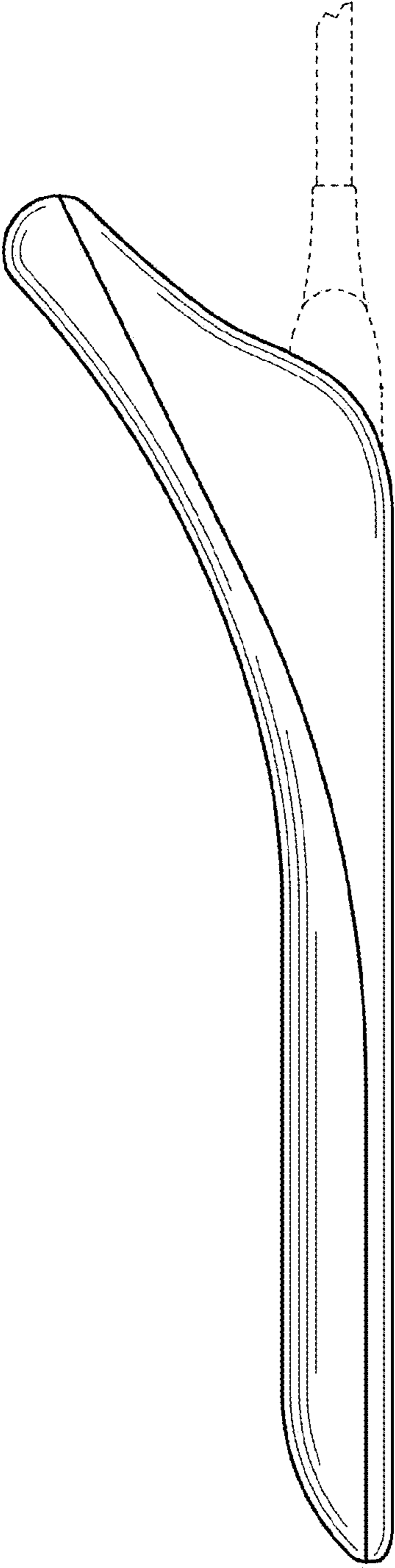


FIG. 5

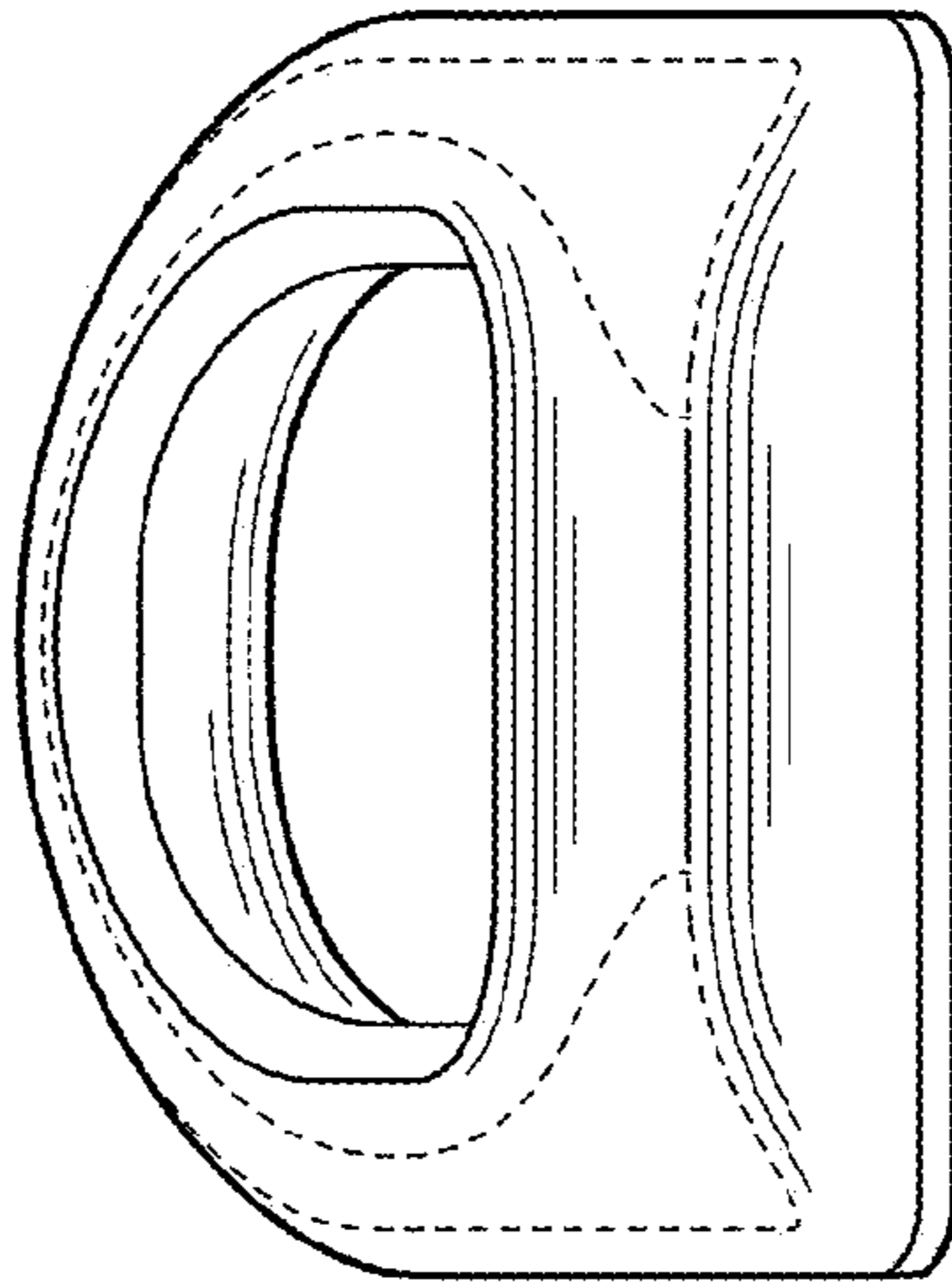


FIG. 6

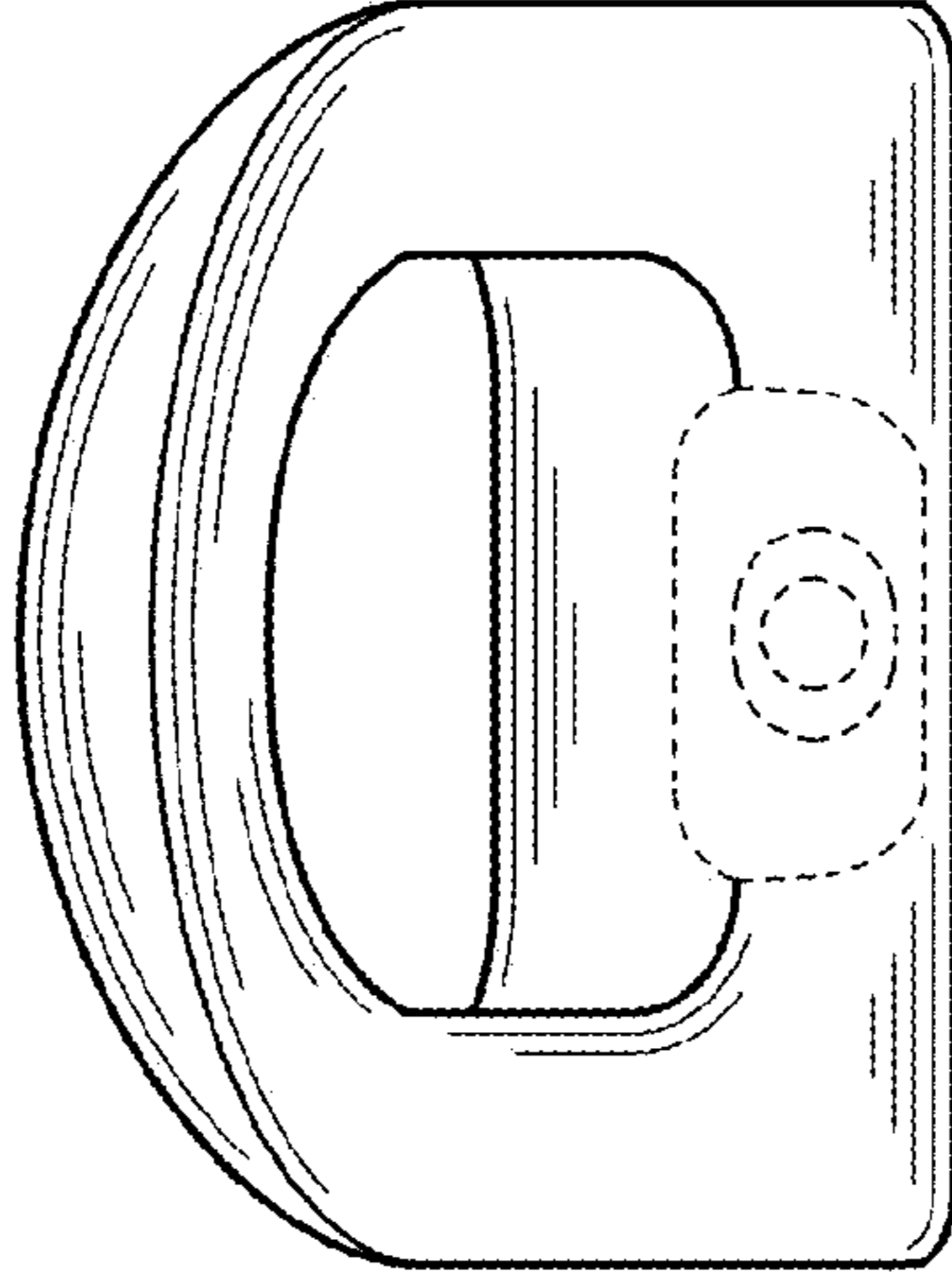


FIG. 7