



US00D680651S

(12) **United States Design Patent**
Lumme et al.

(10) **Patent No.:** **US D680,651 S**
(45) **Date of Patent:** **** Apr. 23, 2013**

(54) **HEART RATE MONITOR**

(75) Inventors: **Lauri Lumme**, Oulu (FI); **Olli Komulainen**, Oulu (FI)

(73) Assignee: **Polar Electric Oy**, Kempele (FI)

(**) Term: **14 Years**

(21) Appl. No.: **29/397,541**

(22) Filed: **Jul. 18, 2011**

(30) **Foreign Application Priority Data**

Jan. 21, 2011 (EM) 001808866-0001
Jan. 21, 2011 (EM) 001808866-0002

(51) **LOC (9) Cl.** **24-01**

(52) **U.S. Cl.**
USPC **D24/167**

(58) **Field of Classification Search** D24/165-168,
D24/107, 186, 187; D10/31, 32, 38, 46,
D10/78, 98; 600/301, 382, 384, 481, 483,
600/485, 500-504, 508, 509, 587
See application file for complete search history.

(56) **References Cited**

U.S. PATENT DOCUMENTS

D342,571 S * 12/1993 Givens, Sr. D24/186
D356,151 S * 3/1995 Ishii et al. D24/165
D361,723 S * 8/1995 Nanayakkara D10/31
5,485,848 A * 1/1996 Jackson et al. 600/500
D390,126 S * 2/1998 Kennedy D10/32
D508,038 S * 8/2005 Bonadei D10/32

D535,205 S * 1/2007 Frederick et al. D10/32
7,310,549 B1 * 12/2007 Angelini et al. 600/509
D571,249 S * 6/2008 Frederick et al. D11/4
D619,256 S * 7/2010 Brady et al. D24/167
D639,955 S * 6/2011 Riobo Aboy et al. D24/165
2004/0260187 A1 * 12/2004 Sano et al. 600/499

* cited by examiner

Primary Examiner — Anhdao Doan

(74) *Attorney, Agent, or Firm* — Hoffmann & Baron, LLP

(57) **CLAIM**

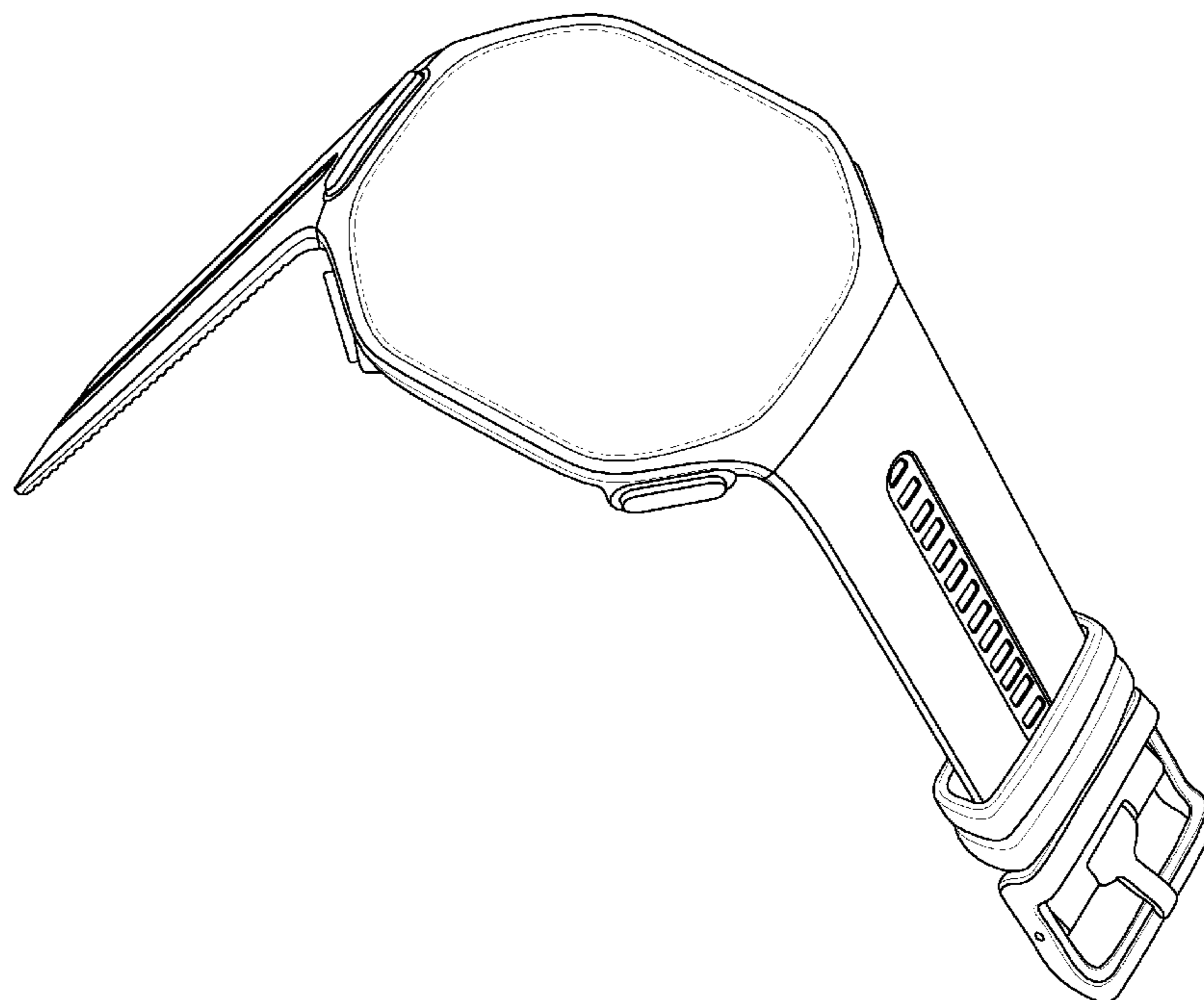
The ornamental design for a heart rate monitor, as shown and described.

DESCRIPTION

FIG. 1 is a perspective view of a first embodiment of our heart rate monitor;
FIG. 2 is another perspective view thereof;
FIG. 3 is a side view thereof;
FIG. 4 is a top view thereof;
FIG. 5 is a bottom view thereof;
FIG. 6 is a first end view thereof;
FIG. 7 is a second end view thereof;
FIG. 8 is a perspective view of a second embodiment of our heart rate monitor;
FIG. 9 is another perspective view thereof;
FIG. 10 is a side view thereof;
FIG. 11 is a top view thereof;
FIG. 12 is a bottom view thereof;
FIG. 13 is a first end view thereof; and,
FIG. 14 is a second end view thereof.

The subject matter shown in broken lines is for the purpose of illustrating portions of the heart rate monitor and forms no part of the claimed design.

1 Claim, 12 Drawing Sheets



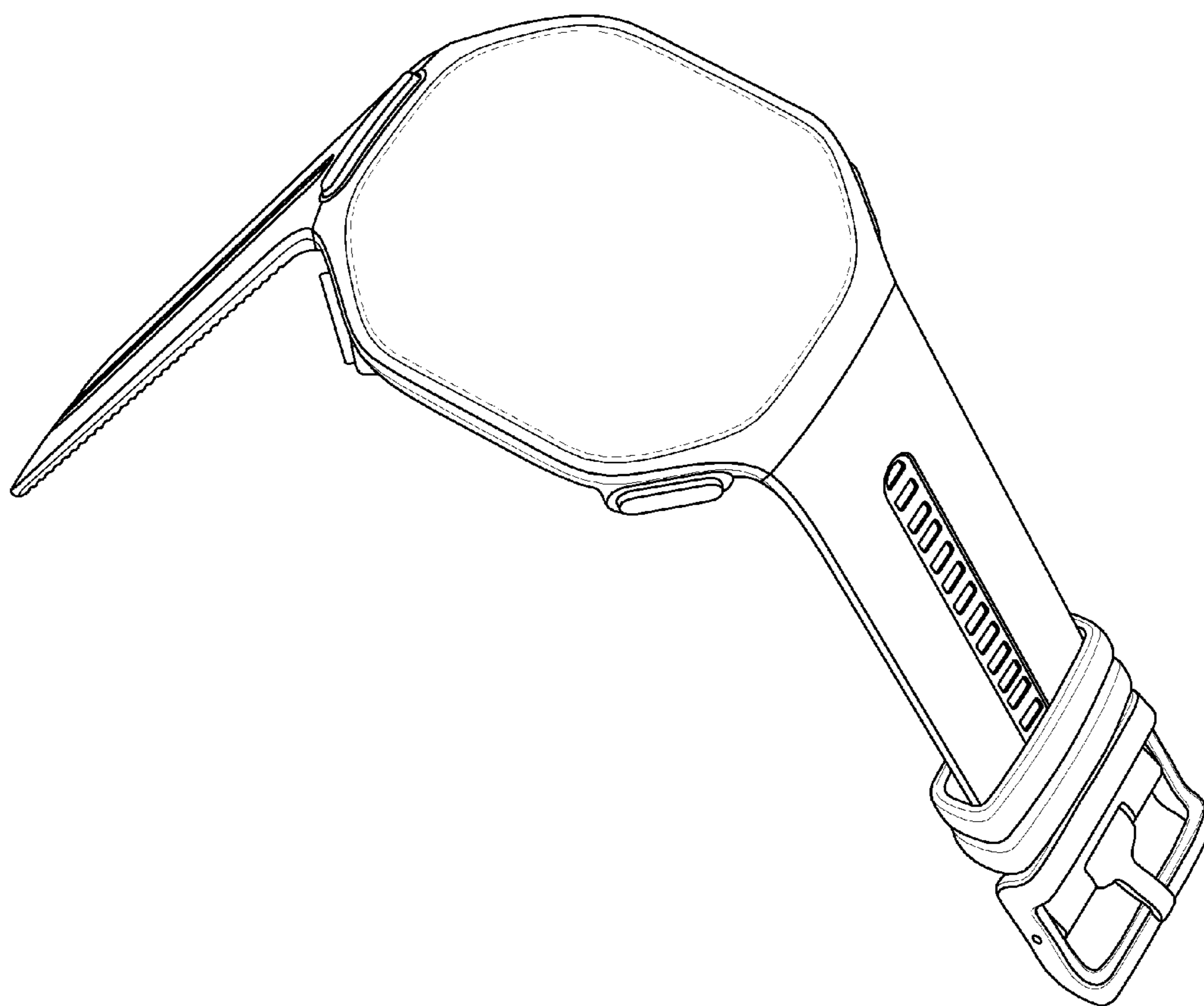


FIG. 1

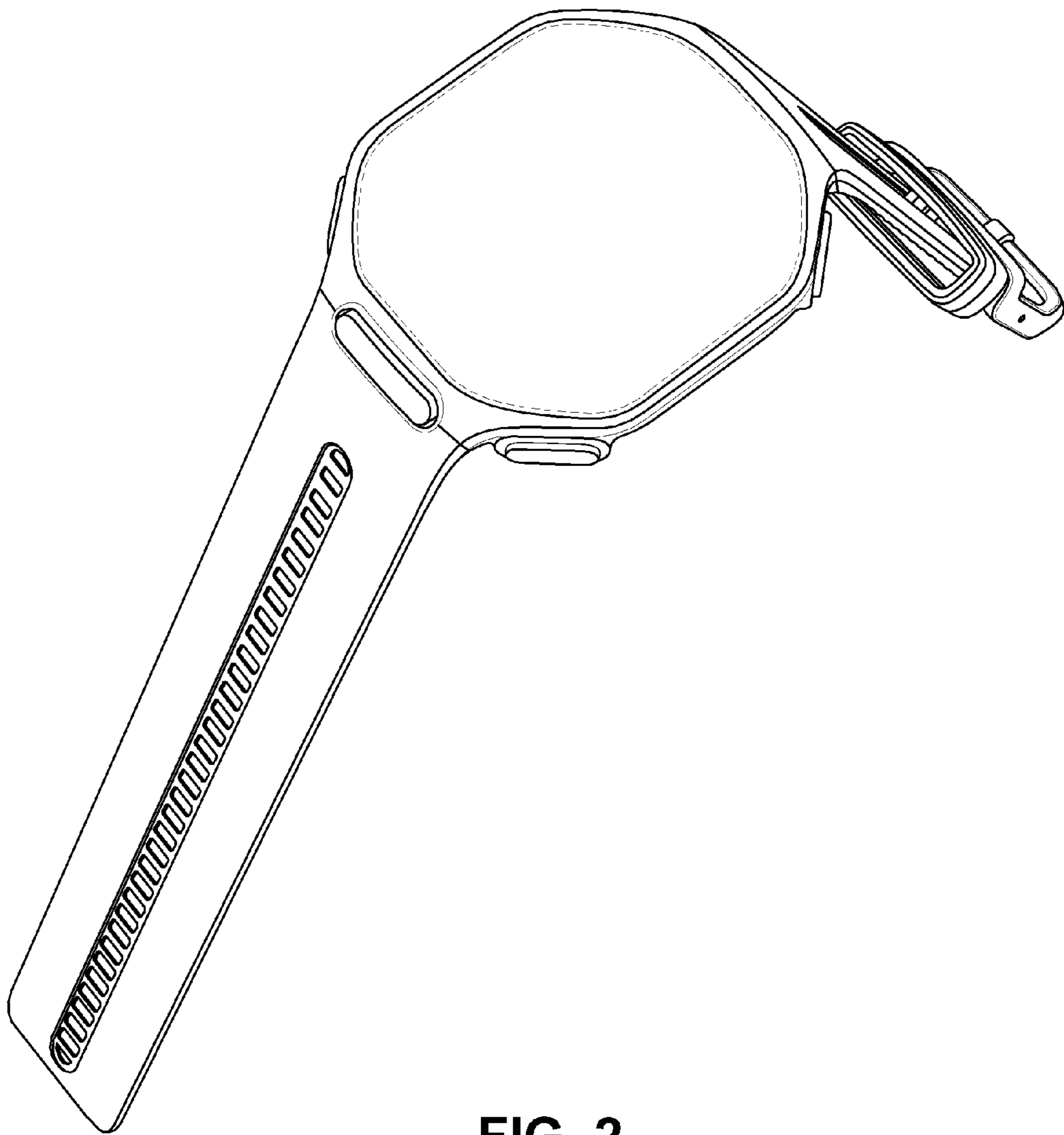


FIG. 2

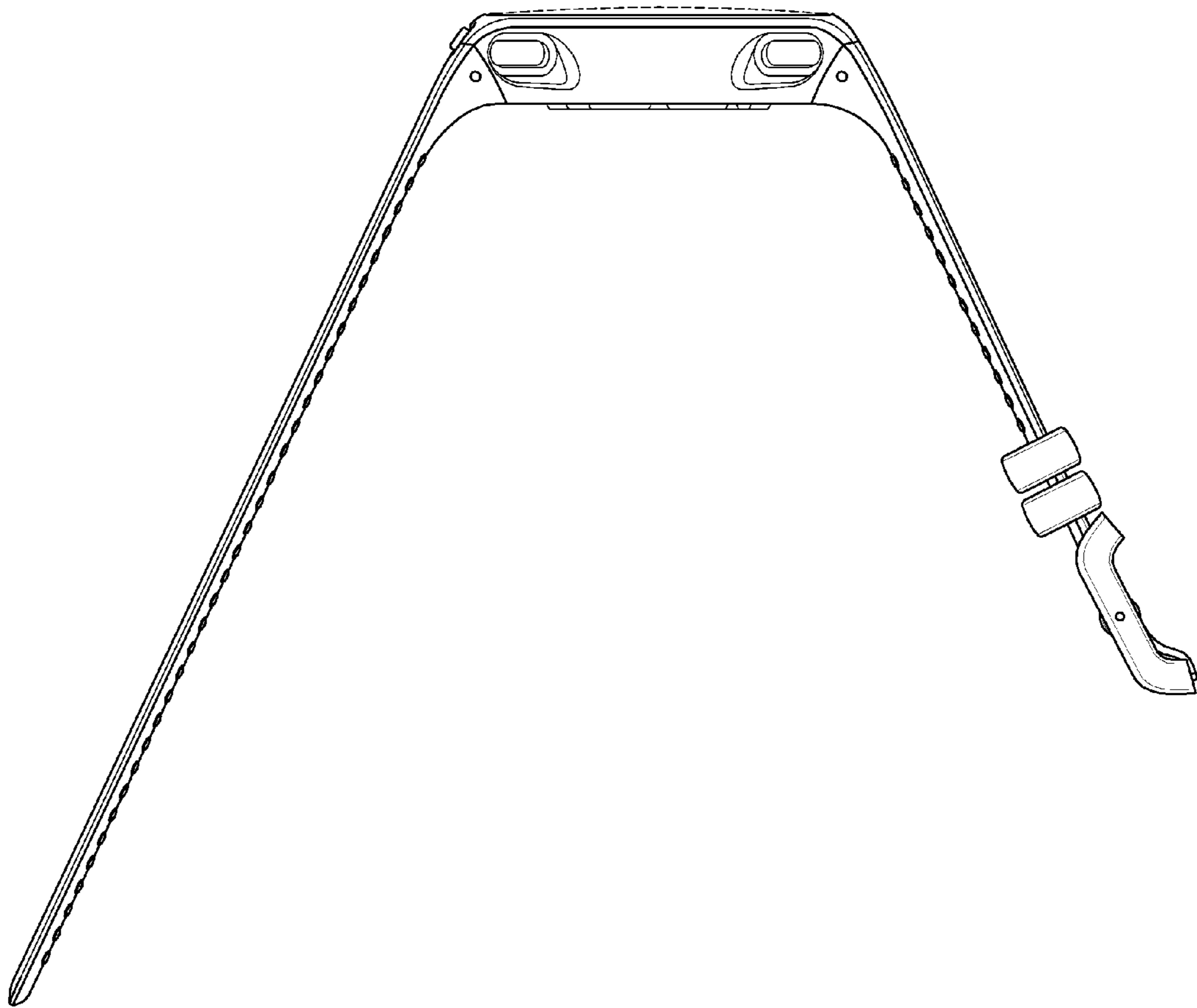


FIG. 3

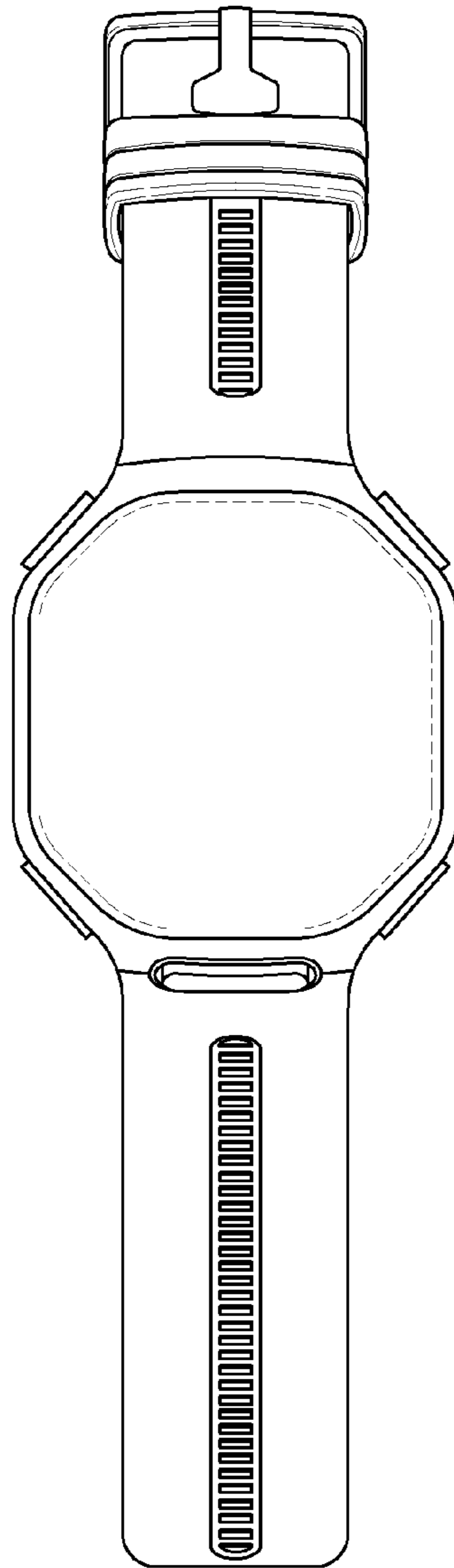


FIG. 4

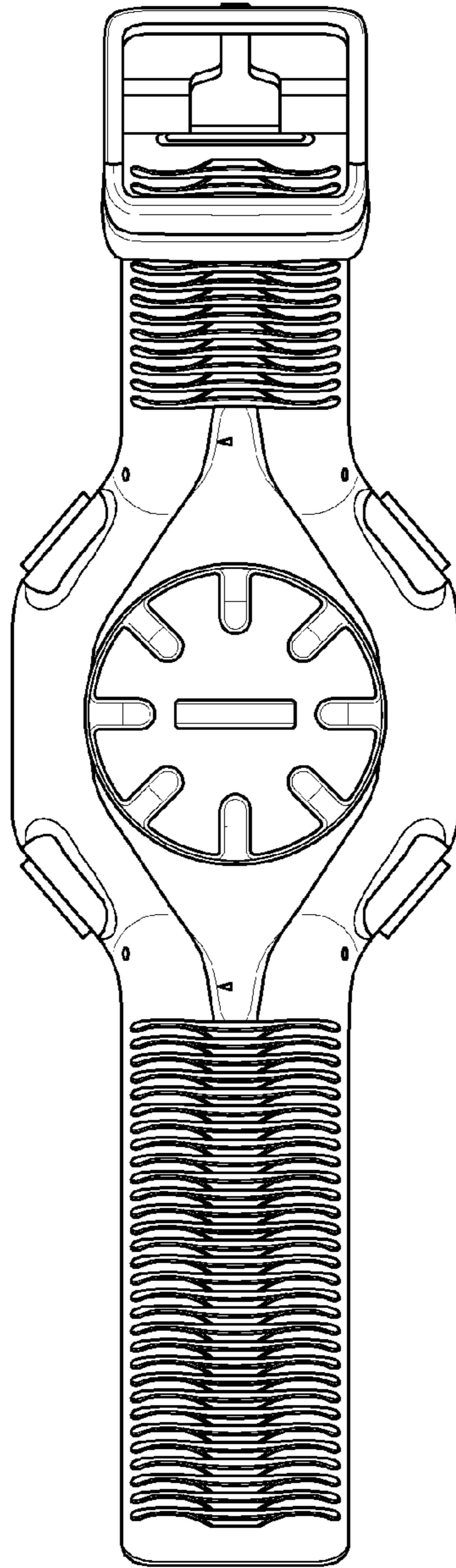


FIG. 5

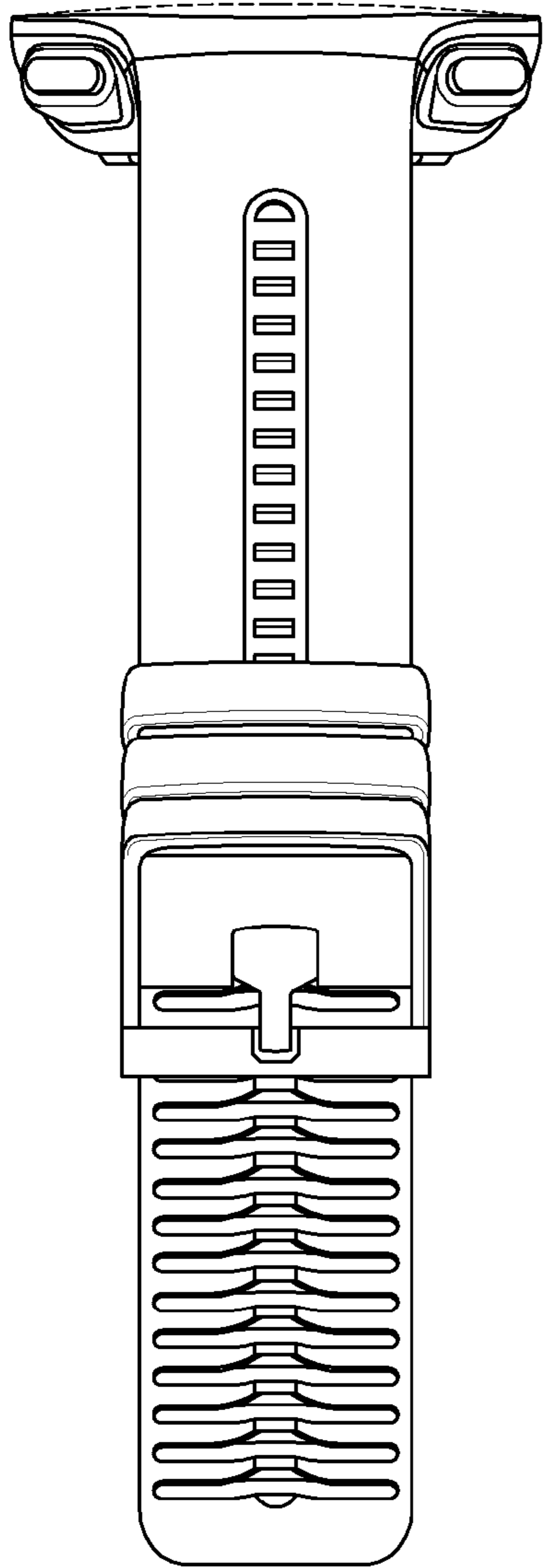


FIG. 6

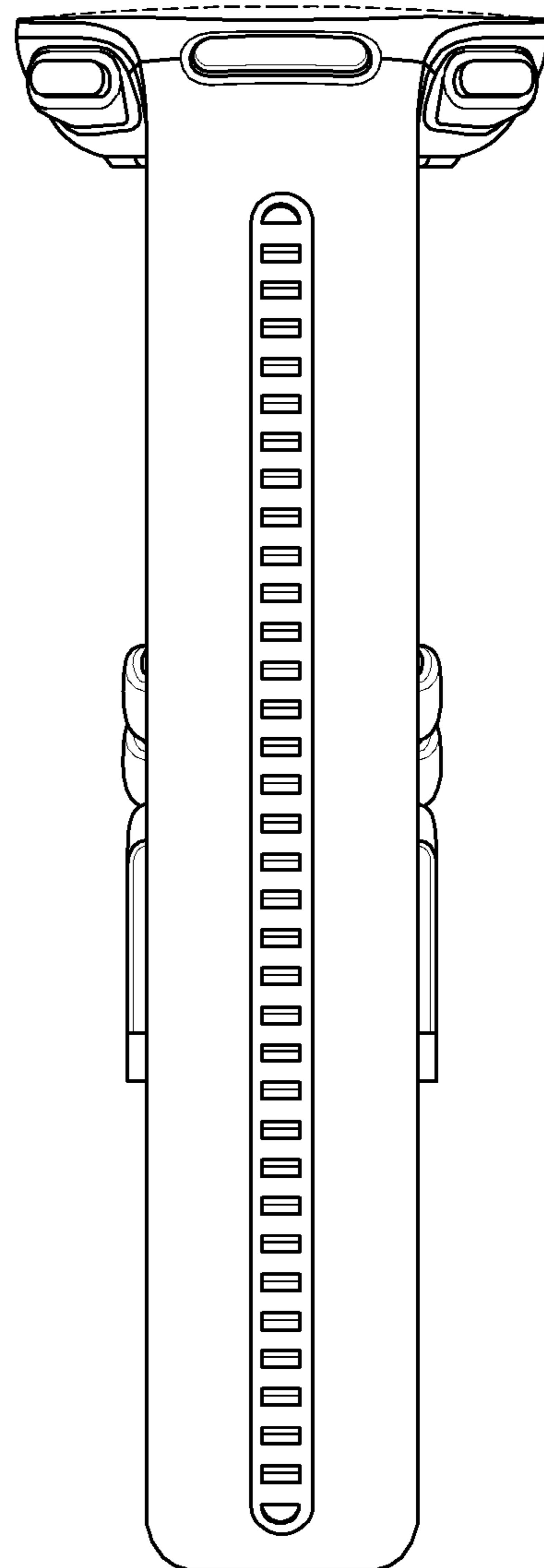


FIG. 7

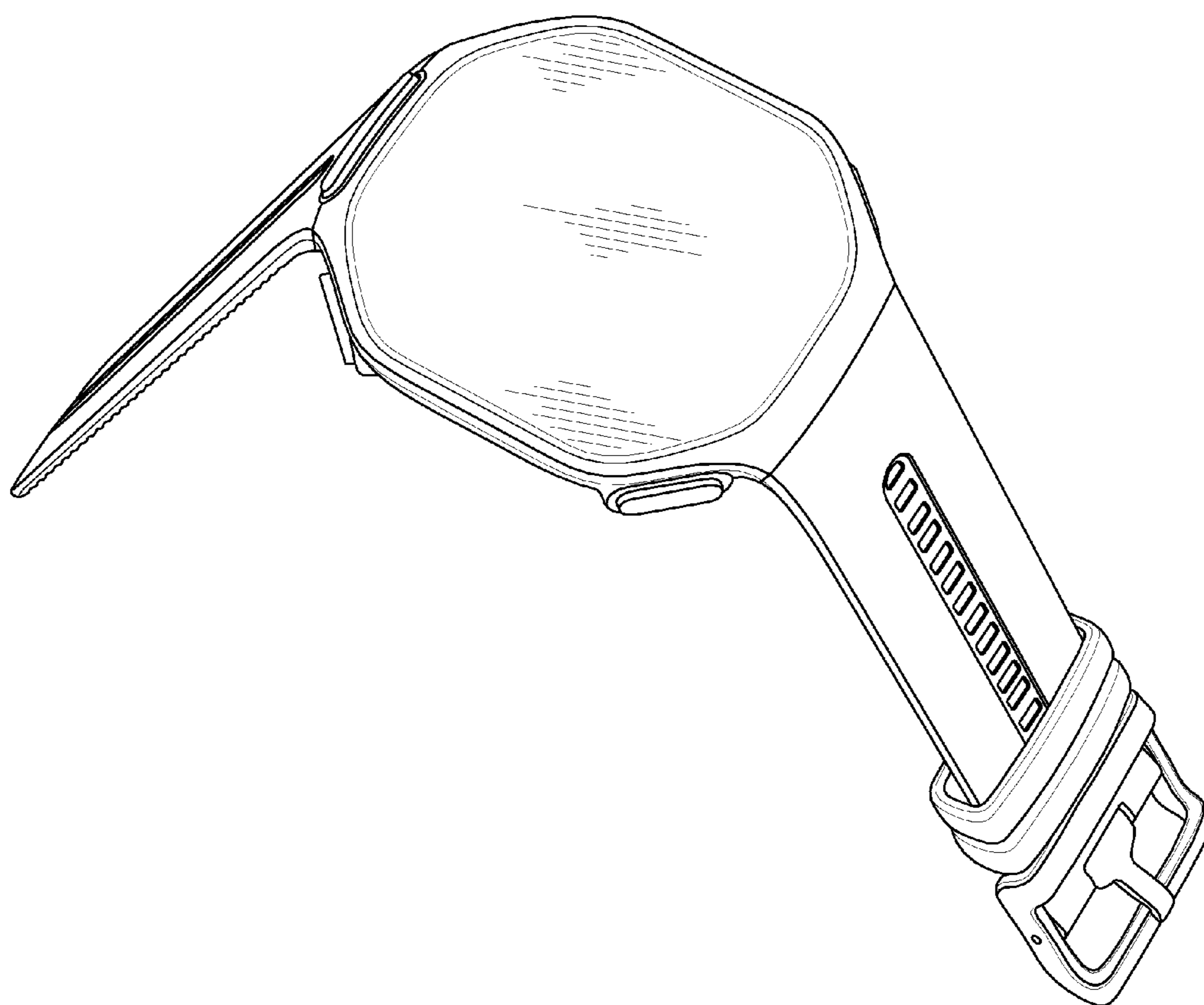


FIG. 8

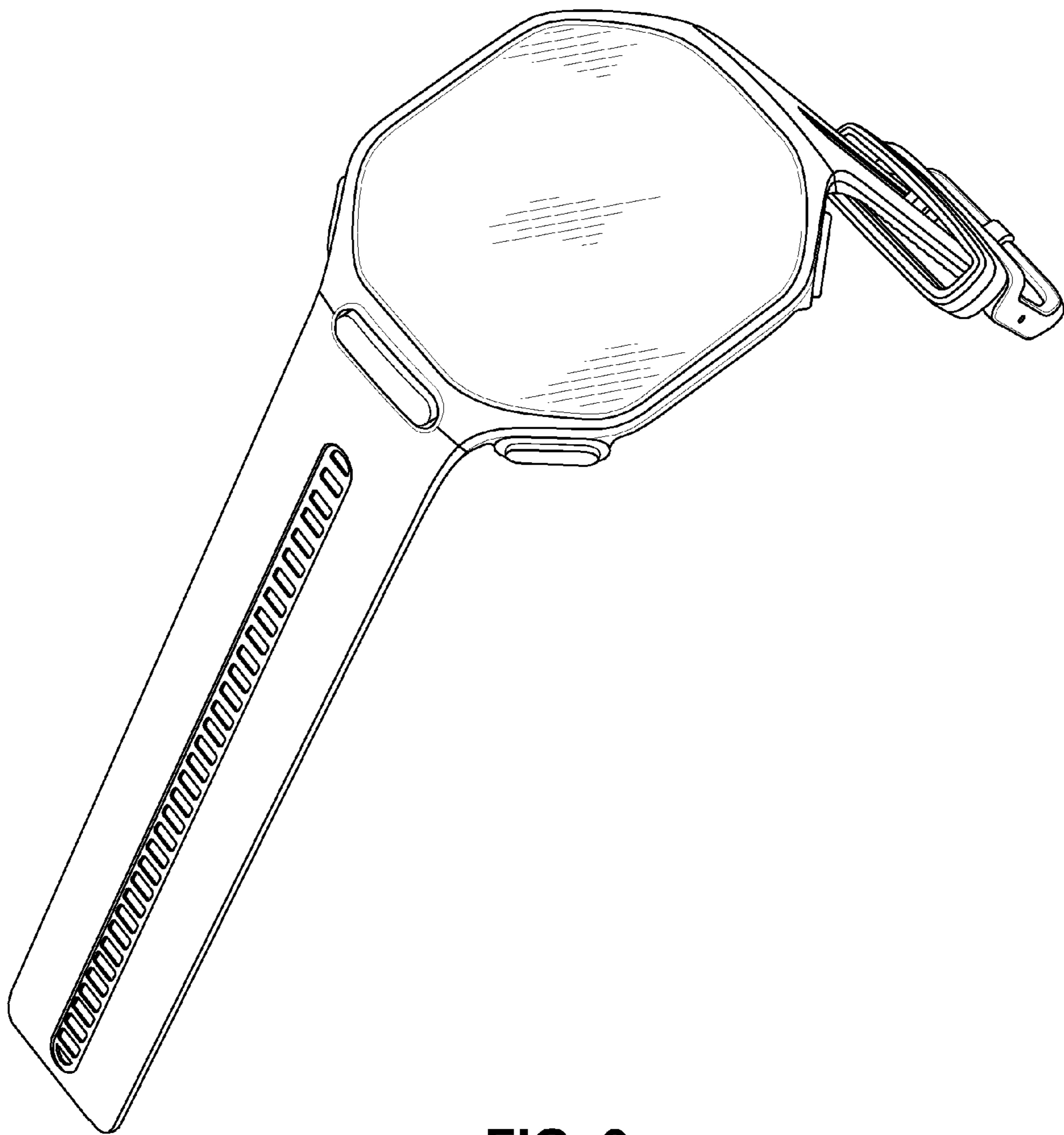


FIG. 9

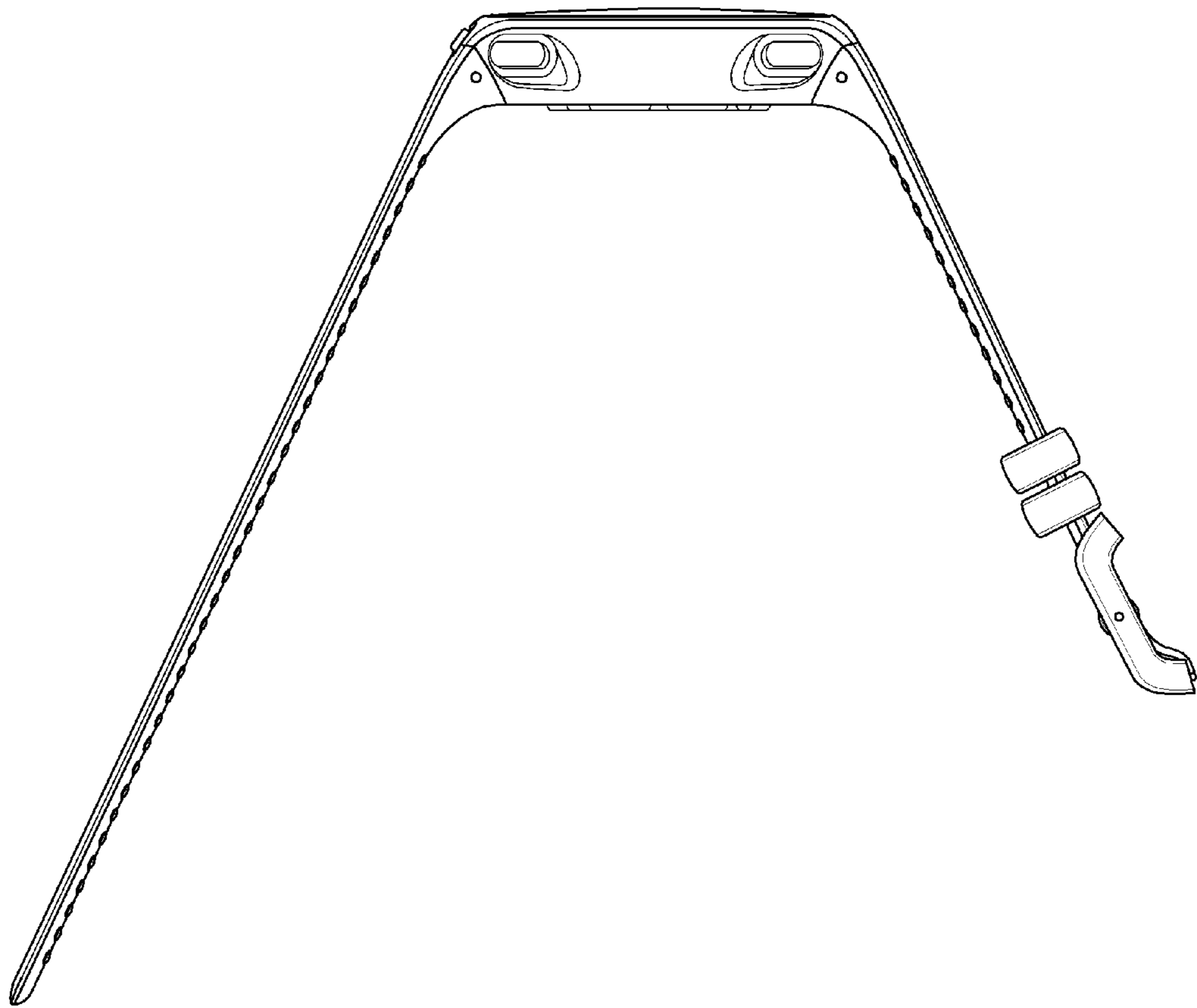


FIG. 10

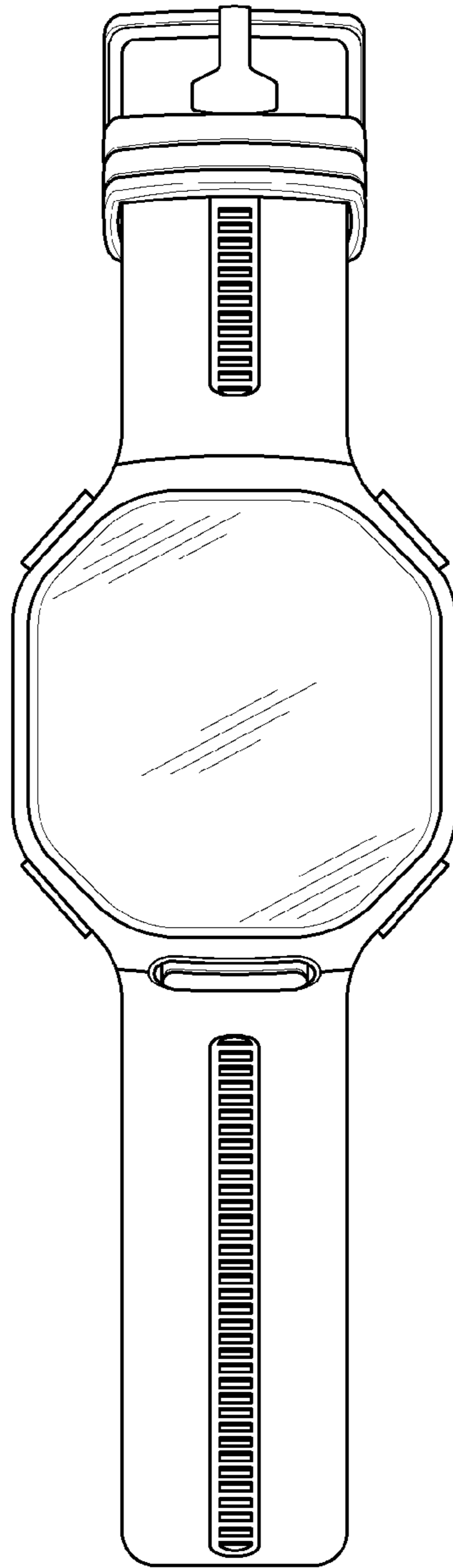


FIG. 11

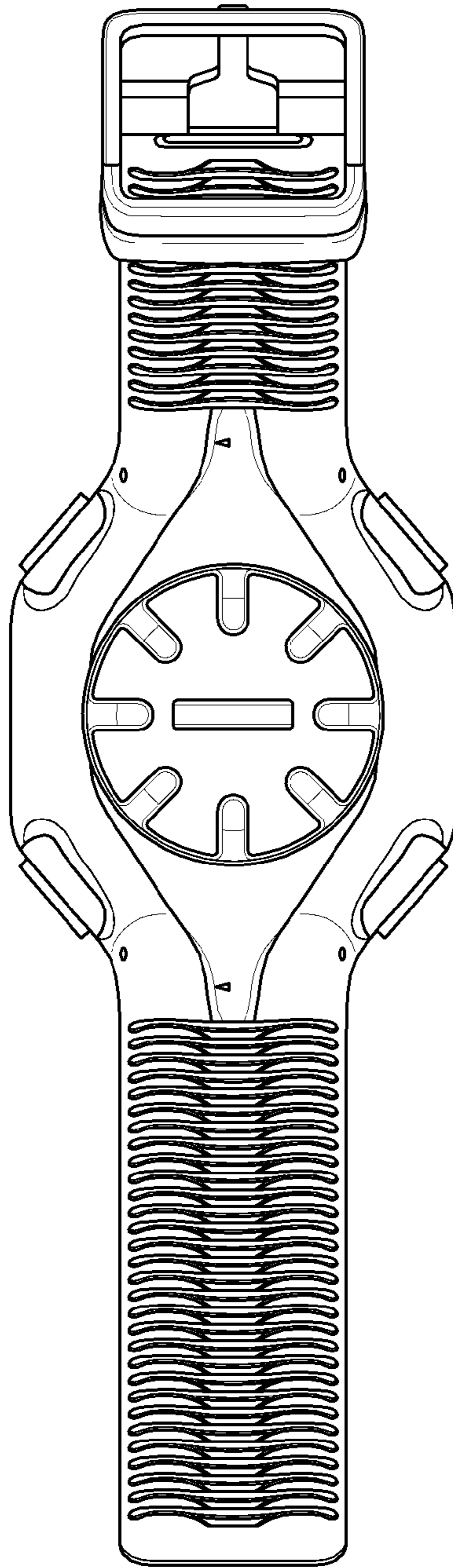


FIG. 12

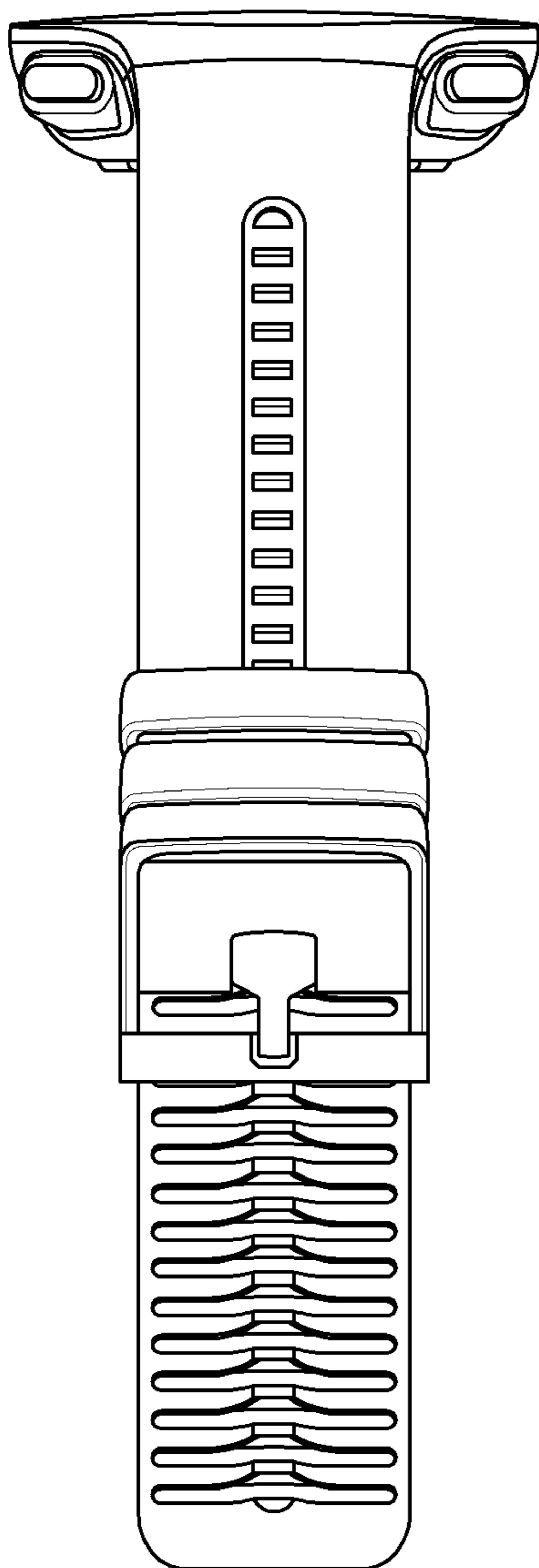


FIG. 13

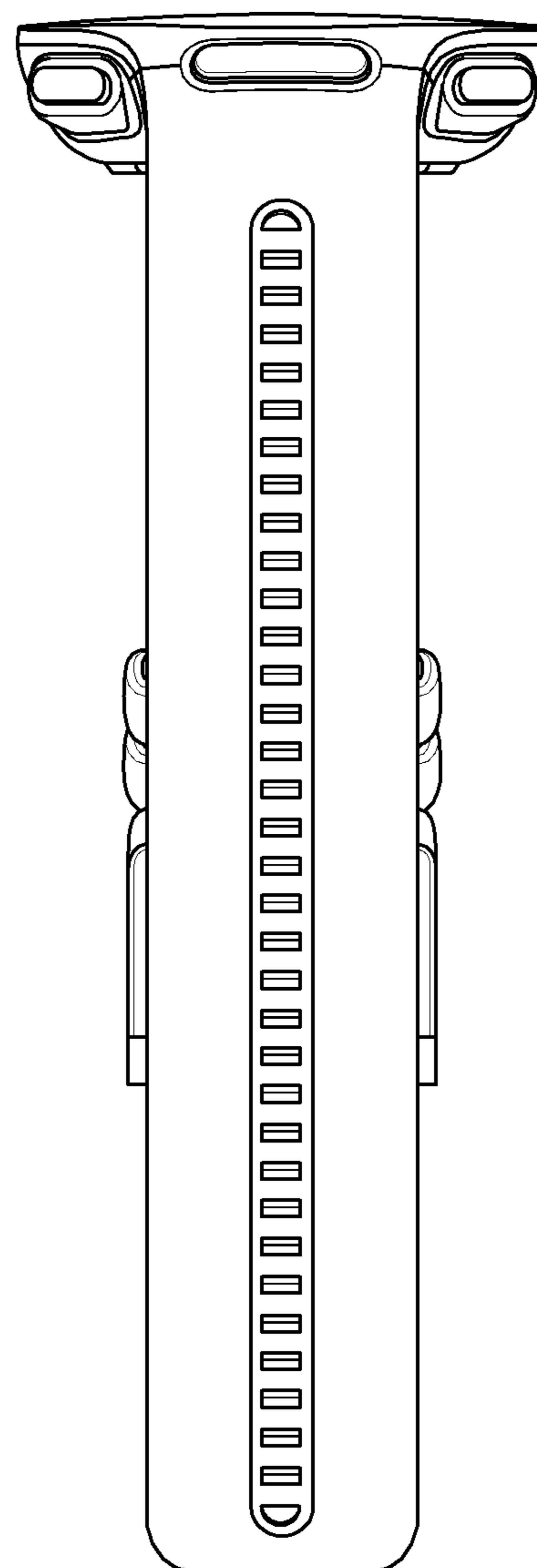


FIG. 14