



US00D680647S

(12) **United States Design Patent**  
**Carter**

(10) **Patent No.:** **US D680,647 S**

(45) **Date of Patent:** **\*\* Apr. 23, 2013**

(54) **CANNULA ASSEMBLY**

(75) **Inventor:** **Sally Carter**, Wallingford, CT (US)

(73) **Assignee:** **Covidien LP**, Mansfield, MA (US)

(\*\*) **Term:** **14 Years**

(21) **Appl. No.:** **29/317,006**

(22) **Filed:** **Apr. 21, 2008**

(51) **LOC (9) Cl.** ..... **24-02**

(52) **U.S. Cl.** ..... **D24/146**

(58) **Field of Classification Search** ..... D24/146,  
D24/147, 112; 604/161, 167.07, 164.04,  
604/158, 164.02, 164.1, 164.11, 167; 606/184,  
606/232

See application file for complete search history.

(56) **References Cited**

**U.S. PATENT DOCUMENTS**

5,364,372	A	11/1994	Danks et al.	
D358,209	S	5/1995	Petruschike et al.	
5,423,848	A	6/1995	Washizuka et al.	
D362,066	S	9/1995	Petruschke et al.	
5,478,329	A *	12/1995	Ternamian	604/274
5,522,833	A *	6/1996	Stephens et al.	606/185
5,531,758	A	7/1996	Uschold et al.	
5,591,186	A *	1/1997	Wurster et al.	606/170
5,697,947	A	12/1997	Wolf et al.	
5,722,962	A	3/1998	Garcia	
5,993,471	A *	11/1999	Riza et al.	606/185
6,017,356	A *	1/2000	Frederick et al.	606/185
D426,635	S	6/2000	Haberland et al.	
6,238,407	B1	5/2001	Wolf et al.	
D449,887	S	10/2001	Haberland et al.	
6,432,085	B1 *	8/2002	Stellon et al.	604/164.04

6,497,716	B1	12/2002	Green et al.	
6,616,632	B2	9/2003	Sharp et al.	
D542,918	S *	5/2007	Albrecht et al.	D24/146
D589,616	S *	3/2009	Carter	D24/146
D589,617	S *	3/2009	Carter	D24/146
D606,193	S *	12/2009	Oberlaender et al.	D24/146
D655,005	S *	2/2012	Fischvogt	D24/146

\* cited by examiner

*Primary Examiner* — Ian Simmons

*Assistant Examiner* — Carissa C Fitts

(57) **CLAIM**

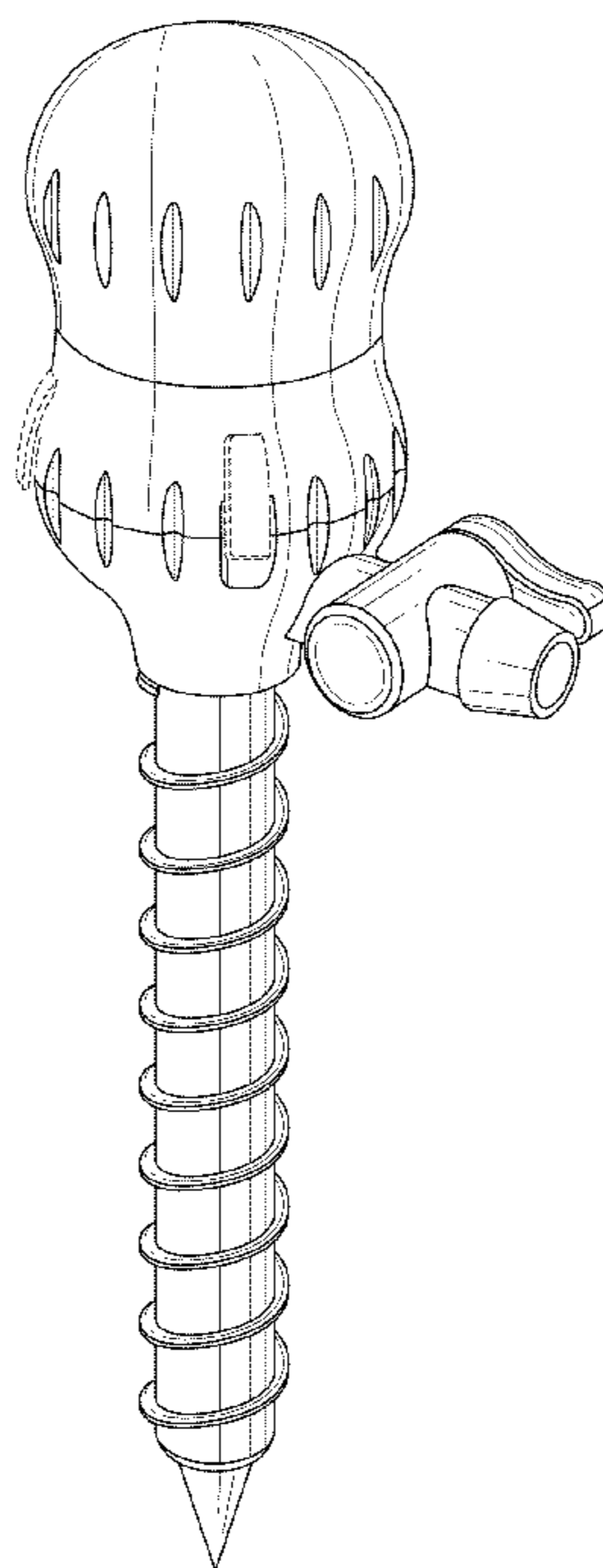
The ornamental design for a cannula assembly, as shown and described.

**DESCRIPTION**

FIG. 1 is a front perspective view of a cannula assembly in accordance with an embodiment of the present design; FIG. 2 is a front elevation view of the cannula assembly of FIG. 1; FIG. 3 is a rear elevation view of the cannula assembly of FIG. 1; FIG. 4 is a right side elevation view of the cannula assembly of FIG. 1; FIG. 5 is a left side elevation view of the cannula assembly of FIG. 1; FIG. 6 is a top plan view of the cannula assembly of FIG. 1; and, FIG. 7 is a bottom plan view of the cannula assembly of FIG. 1.

In FIGS. 1-7, the features of the cannula assembly shown in phantom lines are for illustrative purposes only and do not constitute a part of the claimed design.

**1 Claim, 6 Drawing Sheets**



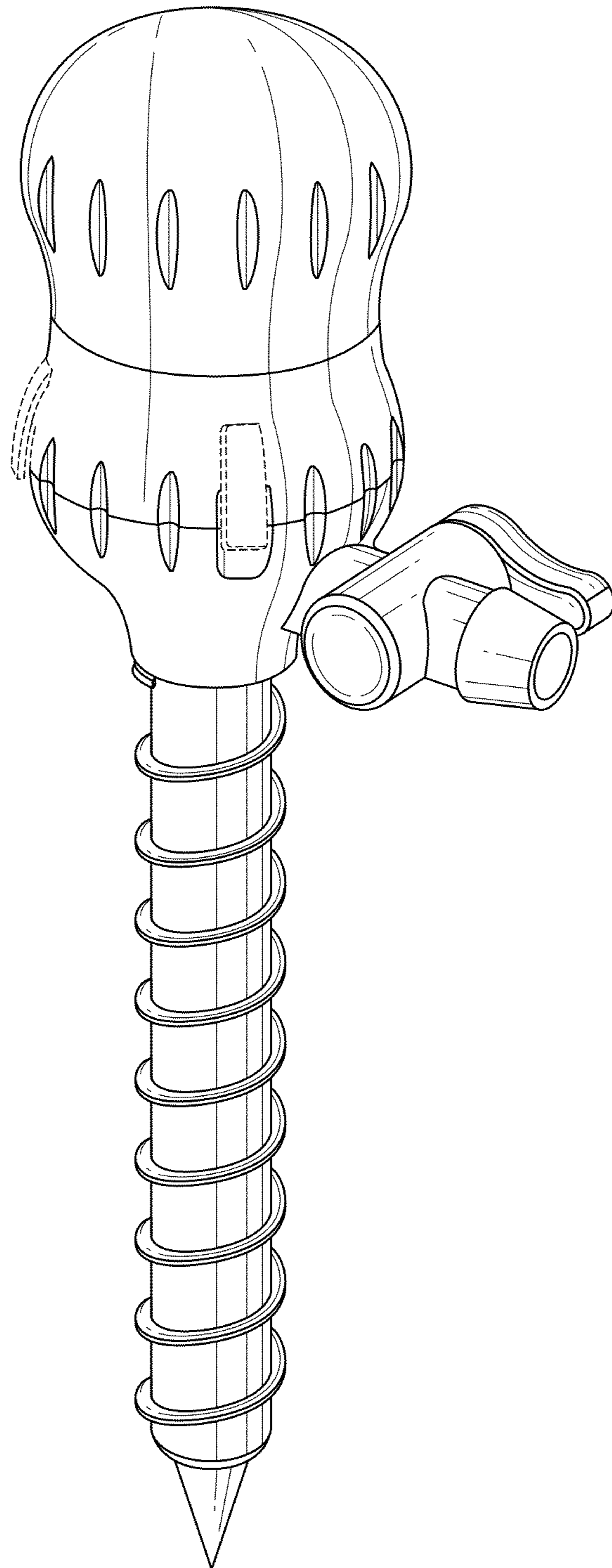


FIG. 1

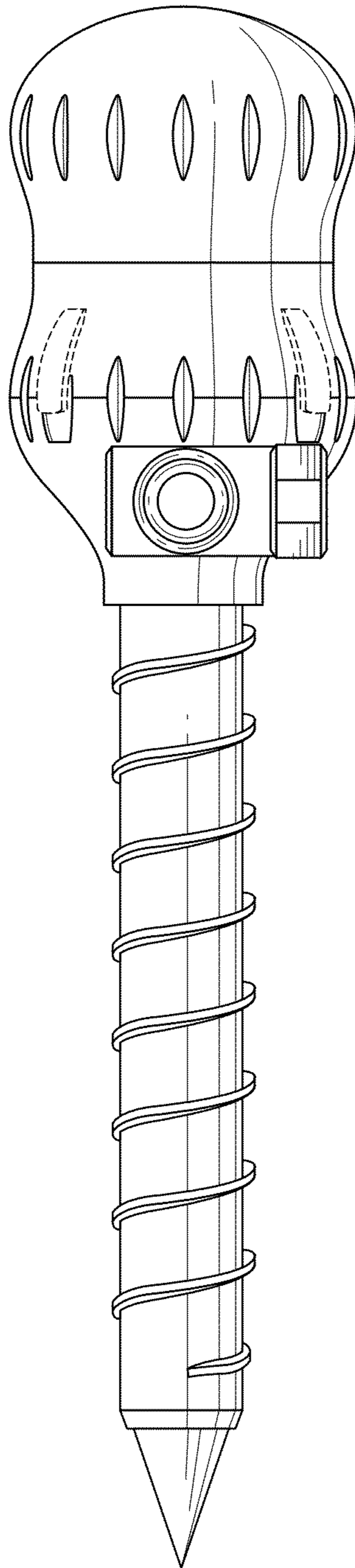
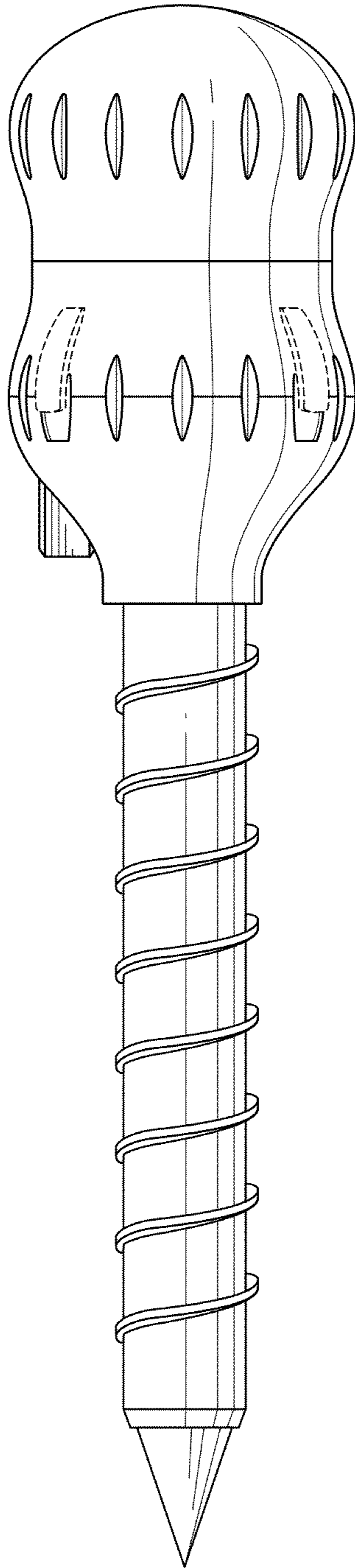


FIG. 2



**FIG. 3**

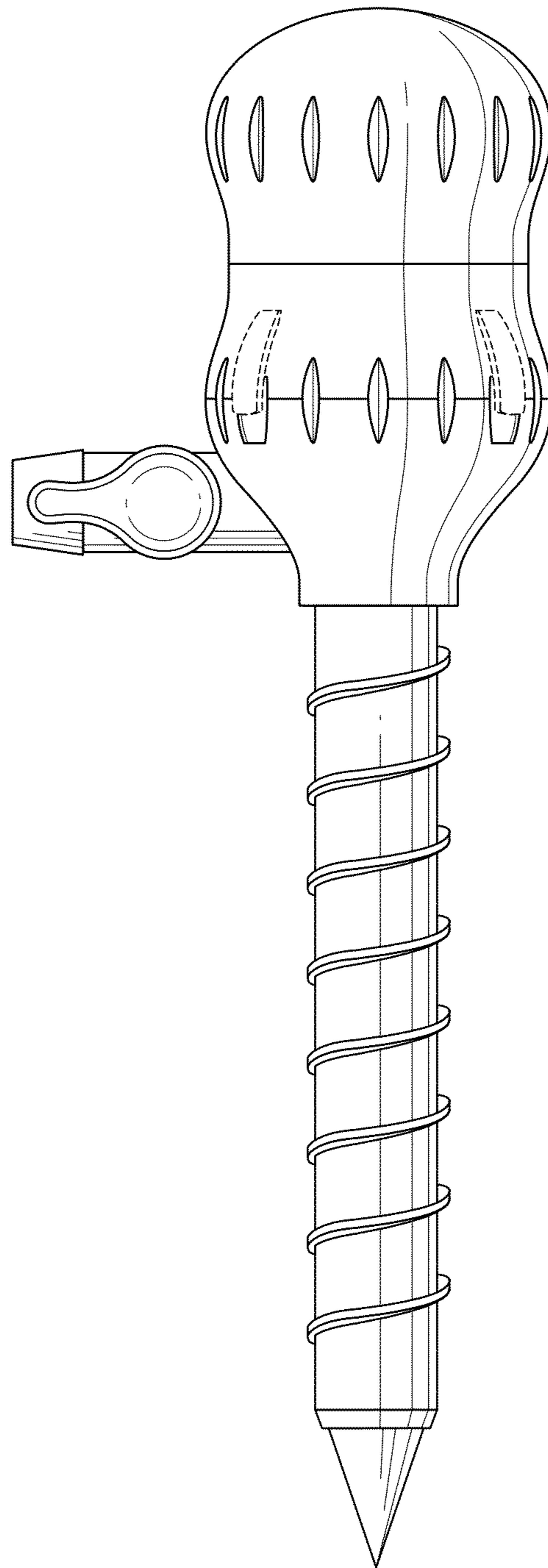


FIG. 4

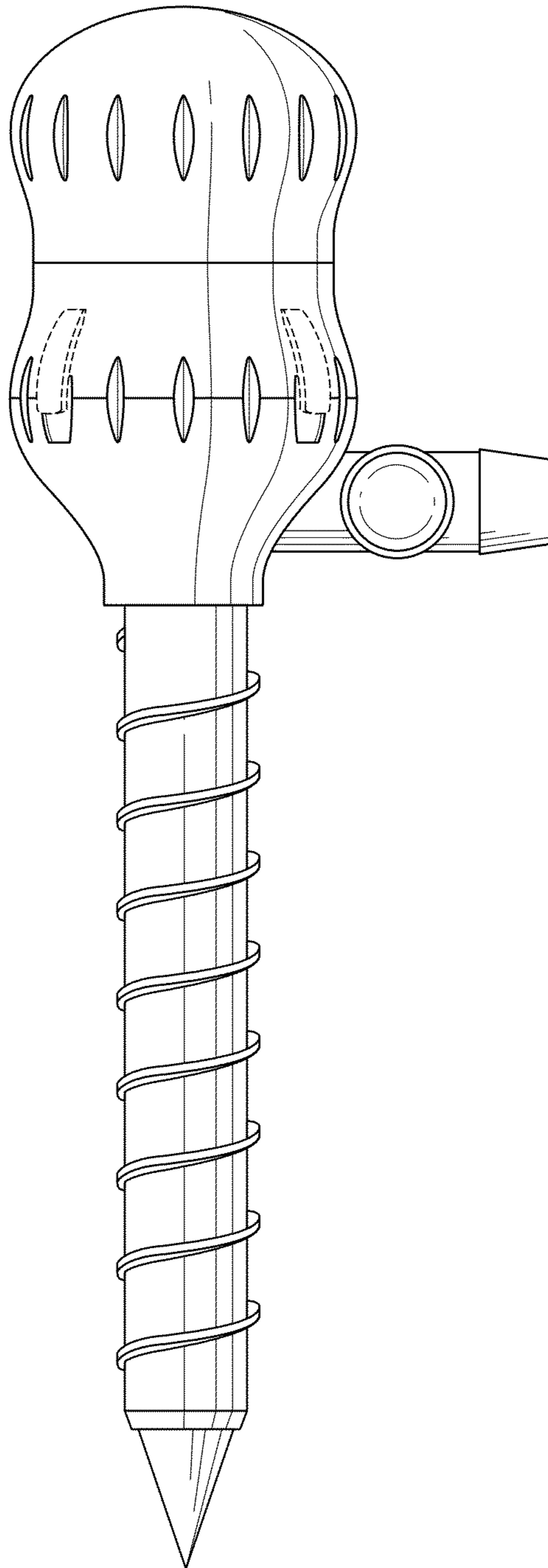


FIG. 5

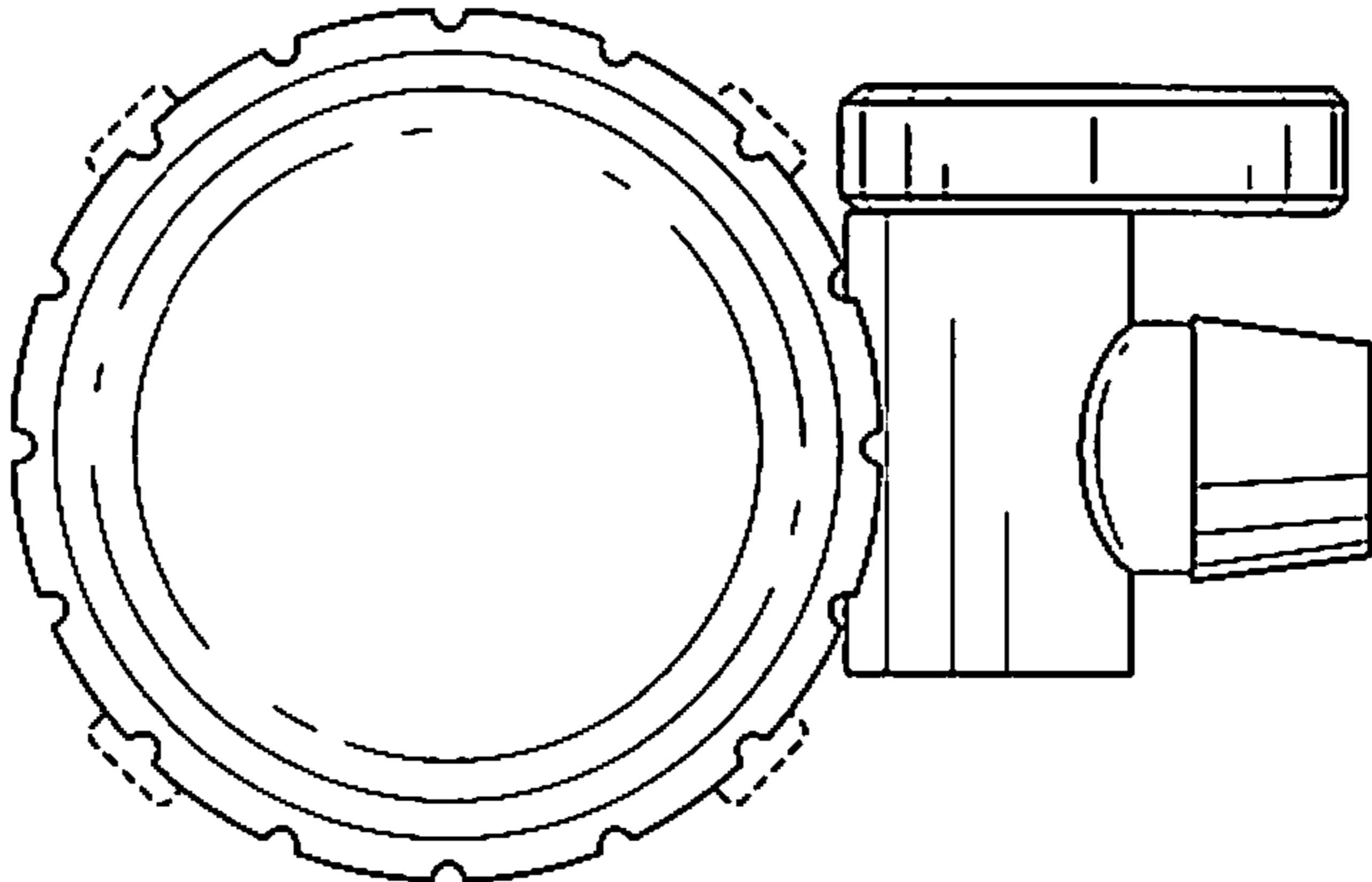


FIG. 6

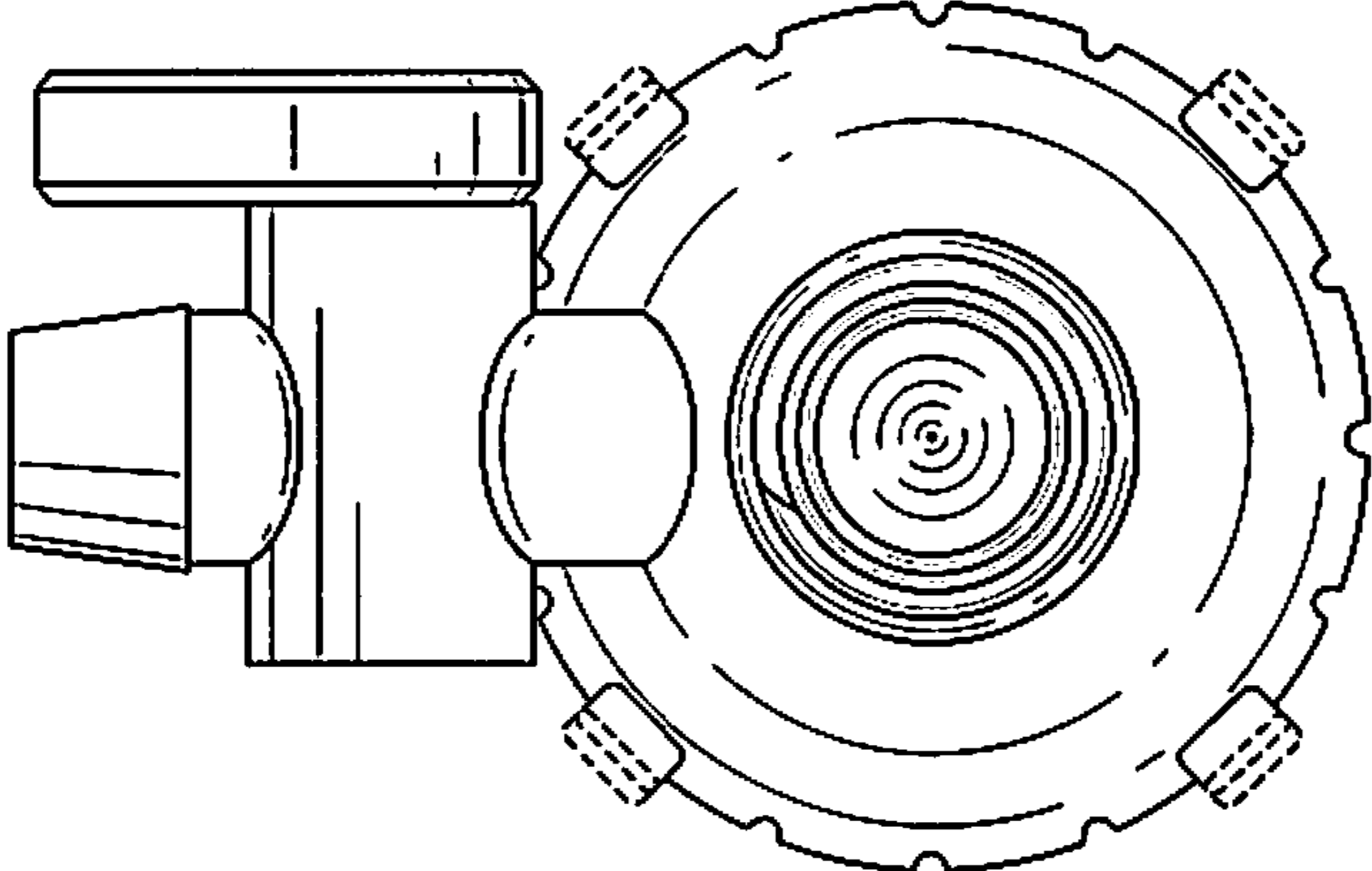


FIG. 7