



US00D680643S

(12) **United States Design Patent**
Schneider et al.

(10) **Patent No.:** **US D680,643 S**

(45) **Date of Patent:** **** Apr. 23, 2013**

(54) **SELF INJECTION DEVICE WINDOW**

(75) Inventors: **Jared Schneider**, Cranston, RI (US);
Mark Joseph Guarraia, Cranston, RI
(US); **Margaux F. Boyaval**, Warwick, RI
(US); **Ryan J. Shafer**, Whitinsville, MA
(US)

(73) Assignee: **Becton, Dickinson and Company**,
Franklin Lakes, NJ (US)

(**) Term: **14 Years**

(21) Appl. No.: **29/418,293**

(22) Filed: **Apr. 13, 2012**

(51) **LOC (9) Cl.** **24-02**

(52) **U.S. Cl.**
USPC **D24/114**

(58) **Field of Classification Search** D24/112–114,
D24/133, 130, 127, 147; 606/181, 185; 604/232,
604/187, 158, 164.08, 192, 263, 163, 181,
604/184, 198, 227, 189, 186; 600/584
See application file for complete search history.

(56) **References Cited**

U.S. PATENT DOCUMENTS

4,637,403	A *	1/1987	Garcia et al.	D24/147
D330,078	S *	10/1992	Porter	D24/127
5,378,233	A *	1/1995	Haber et al.	D24/112
5,645,534	A *	7/1997	Chanoch	604/189
D429,812	S *	8/2000	Hjertman et al.	D24/114
6,248,095	B1	6/2001	Giambattista et al.		
D446,578	S	8/2001	Jansen et al.		
6,277,099	B1 *	8/2001	Strowe et al.	604/186
D447,559	S	9/2001	Jansen et al.		
D448,474	S	9/2001	Jansen et al.		

(Continued)

FOREIGN PATENT DOCUMENTS

JP	1332078	6/2008
JP	1332080	6/2008
JP	1409364	3/2011
JP	1451050	9/2012

OTHER PUBLICATIONS

U.S. Appl. No. 29/405,925, filed Nov. 8, 2011.
U.S. Appl. No. 29/405,930, filed Nov. 8, 2011.
U.S. Appl. No. 29/405,935, filed Nov. 8, 2011.

(Continued)

Primary Examiner — David Muller

(74) *Attorney, Agent, or Firm* — Roylance, Abrams, Berdo
& Goodman, LLP

(57) **CLAIM**

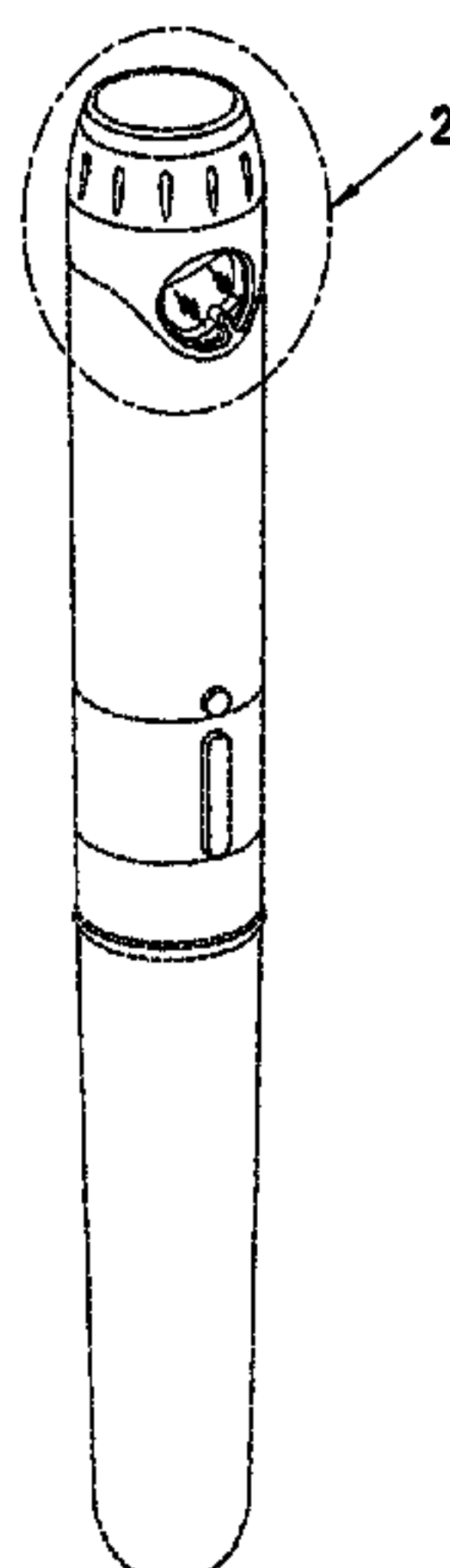
The ornamental design for a self injection device window, as shown and described.

DESCRIPTION

FIG. 1 is a perspective view of an embodiment of a self injection device window showing our new design; FIG. 2 is an enlarged perspective view of the self injection device window shown in FIG. 1; FIG. 3 is a front elevational view of the self injection device window shown in FIG. 1; FIG. 4 is a top view of the self injection device window shown in FIG. 1; FIG. 5 is an enlarged top view of the self injection device window shown in FIG. 4; FIG. 6 is a left side elevational view of the self injection device window shown in FIG. 1; FIG. 7 is a right side elevational view of the self injection device window shown in FIG. 1; FIG. 8 is a bottom view of the self injection device window shown in FIG. 1; and, FIG. 9 is a rear elevational view of the self injection device window shown in FIG. 1.

Broken lines in the drawing figures represent unclaimed environmental structure, are for illustrative purposes only, and form no part of the claimed design.

1 Claim, 4 Drawing Sheets



U.S. PATENT DOCUMENTS

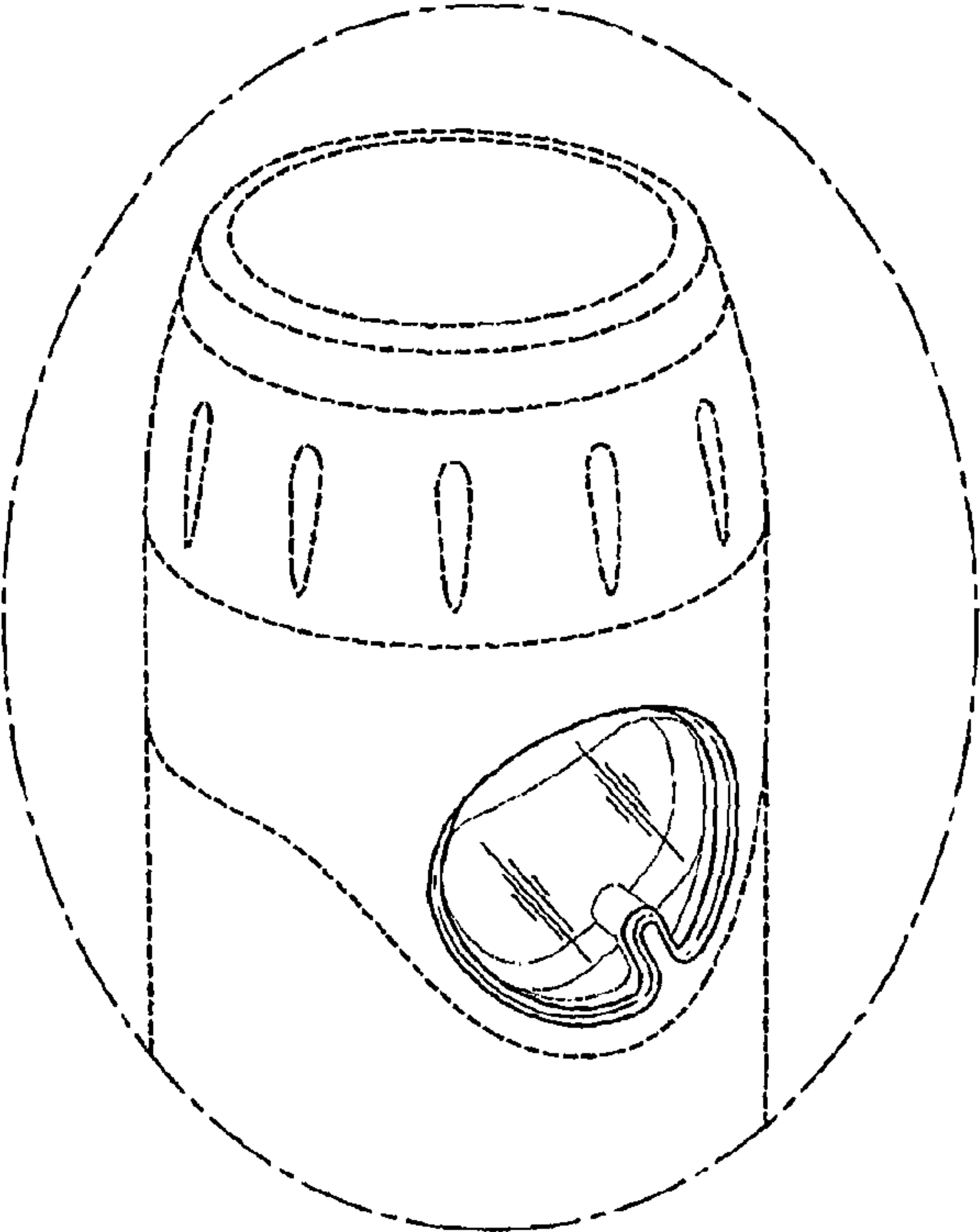
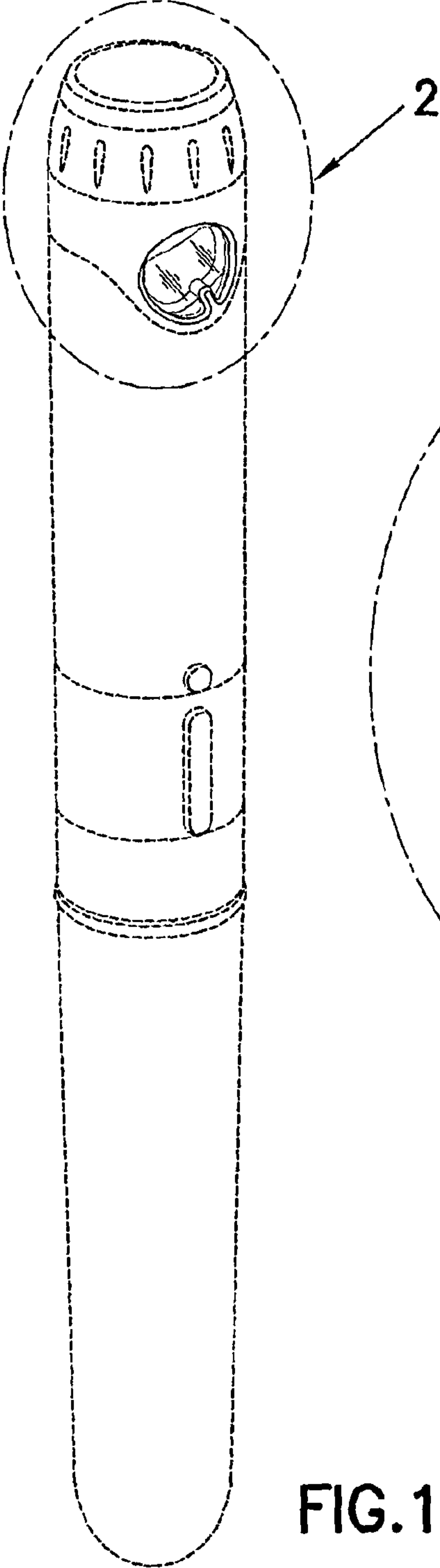
D448,475 S 9/2001 Jansen et al.
 D463,546 S 9/2002 Jansen et al.
 D479,599 S 9/2003 Bainton
 D479,600 S 9/2003 Bainton
 D479,601 S 9/2003 Tyce
 D479,602 S 9/2003 Bainton
 D479,603 S 9/2003 Tyce
 D479,747 S 9/2003 Bainton
 D479,748 S 9/2003 Tyce
 D492,027 S 6/2004 Tyce et al.
 D492,405 S 6/2004 Bainton
 D499,485 S 12/2004 Tyce
 D501,253 S 1/2005 Bainton
 D503,797 S 4/2005 Tyce
 D505,490 S 5/2005 Tyce
 6,932,794 B2 8/2005 Giambattista et al.
 D531,308 S 10/2006 Bendek et al.
 7,169,132 B2 1/2007 Bendek et al.
 D540,465 S 4/2007 Bainton
 D548,336 S 8/2007 Galbraith
 D548,835 S 8/2007 Galbraith
 D551,341 S 9/2007 Galbraith
 D555,609 S 11/2007 Galbraith
 D568,988 S 5/2008 Galbraith
 D598,539 S 8/2009 Tyce
 D599,008 S 8/2009 Tyce
 D599,009 S 8/2009 Tyce
 D599,010 S 8/2009 Tyce
 D599,011 S 8/2009 Tyce
 D600,794 S 9/2009 Tyce
 D600,795 S 9/2009 Tyce
 D606,649 S 12/2009 Tyce
 D606,650 S 12/2009 Tyce
 D607,558 S 1/2010 Abry et al.
 D608,442 S 1/2010 Tyce
 D610,251 S 2/2010 Tyce
 D610,252 S 2/2010 Tyce
 D610,676 S 2/2010 Tyce

D610,677 S 2/2010 Tyce
 D617,448 S * 6/2010 Singh D24/112
 D618,789 S 6/2010 Sanders et al.
 D619,702 S 7/2010 Galbraith
 D621,500 S 8/2010 Sanders et al.
 D622,374 S * 8/2010 Julian et al. D24/113
 D626,216 S 10/2010 Tyce
 D628,690 S 12/2010 Galbraith
 D629,510 S 12/2010 Grunhut
 D634,422 S * 3/2011 El-Gad et al. D24/113
 D635,248 S * 3/2011 Coale D24/114
 D641,077 S 7/2011 Sanders et al.
 7,976,514 B2 7/2011 Abry et al.
 D650,070 S * 12/2011 Mori D24/113
 D651,305 S 12/2011 Hawley et al.
 D652,136 S 1/2012 Hawley et al.
 8,147,426 B2 * 4/2012 Neel et al. 600/584
 D670,375 S 11/2012 Corbin
 D670,376 S 11/2012 Corbin
 8,313,470 B2 11/2012 Abry
 2002/0002344 A1 * 1/2002 Douglas et al. 606/181

OTHER PUBLICATIONS

U.S. Appl. No. 29/405,936, filed Nov. 8, 2011.
 U.S. Appl. No. 29/405,938, filed Nov. 8, 2011.
 U.S. Appl. No. 29/405,940, filed Nov. 8, 2011.
 U.S. Appl. No. 29/405,943, filed Nov. 8, 2011.
 U.S. Appl. No. 29/405,945, filed Nov. 8, 2011.
 U.S. Appl. No. 29/405,947, filed Nov. 8, 2011.
 U.S. Appl. No. 29/408,769, filed Dec. 16, 2011.
 U.S. Appl. No. 29/408,772, filed Dec. 16, 2011.
 French, Donna, "Market Trends in Injection Devices for Pharmaceuticals", Touch Briefings, 2007, pp. 20-25.
 "BD™ Reusable Pen II, Creating New Opportunities for Your Product and Patient", 2002, pp. 1-2.
 "BD™ Disposable Pen II, Creating New Opportunities for Your Product and Patient", 2002, pp. 1-2.

* cited by examiner



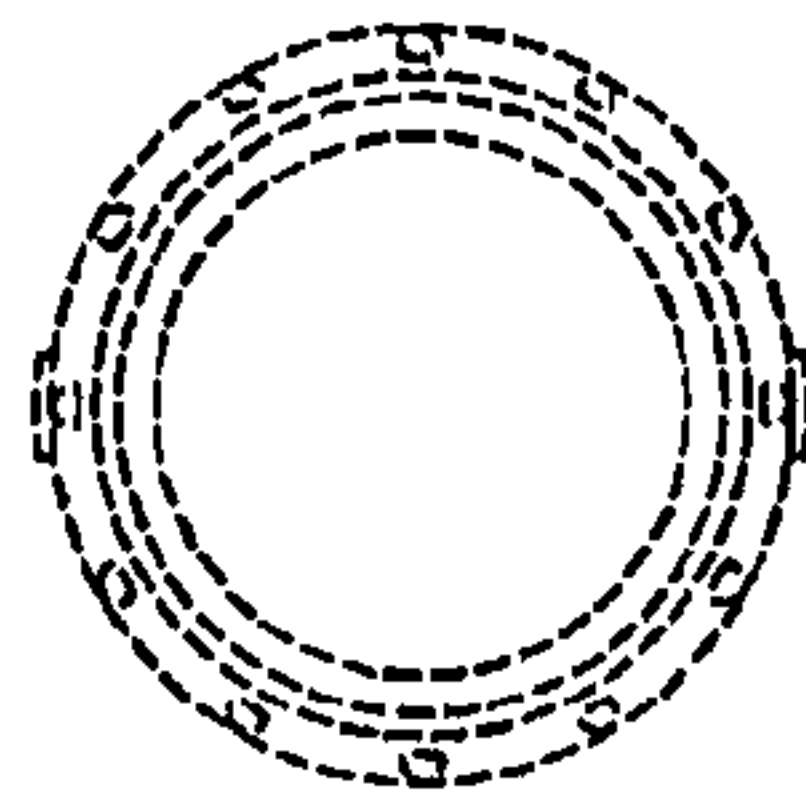
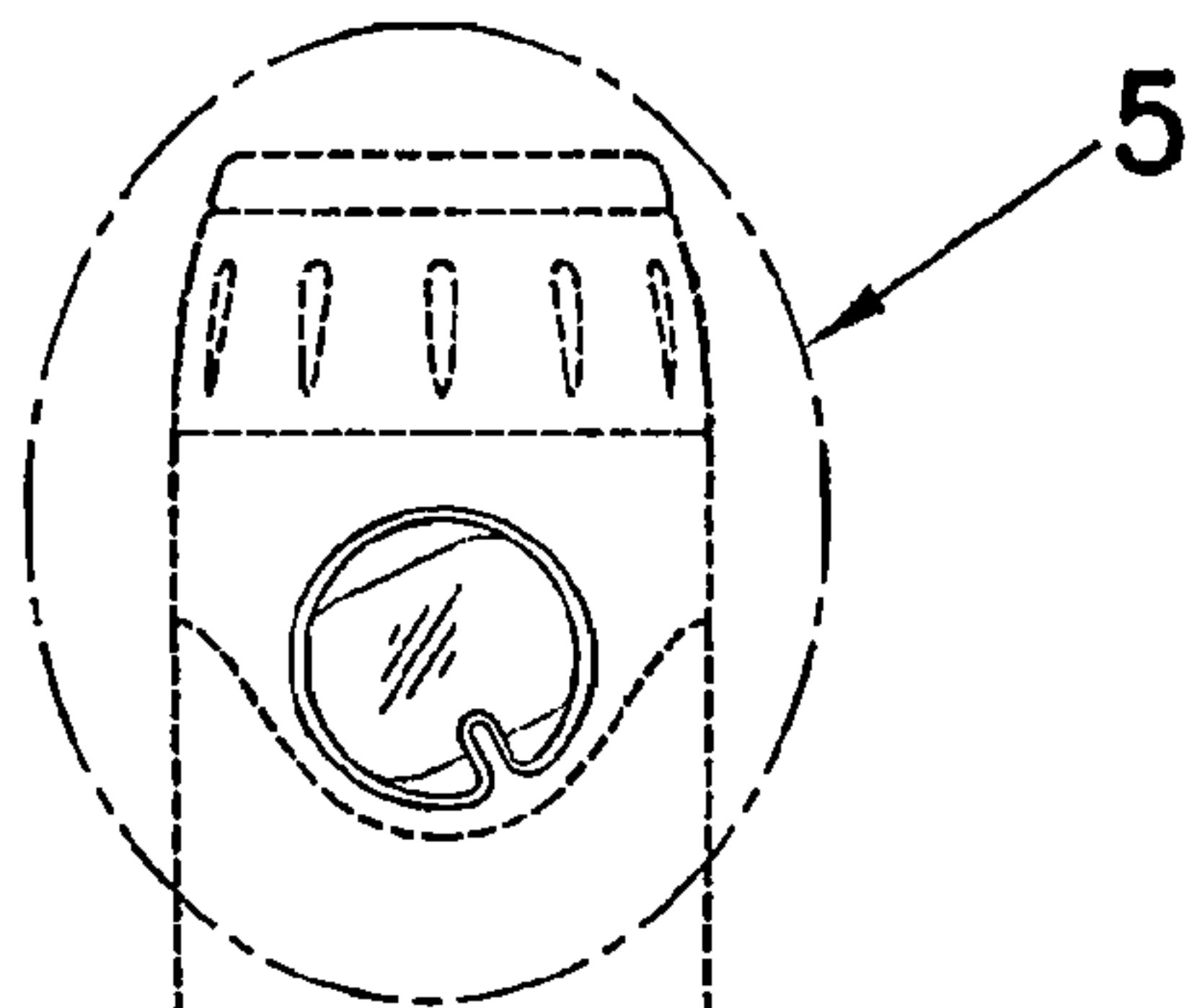


FIG.3

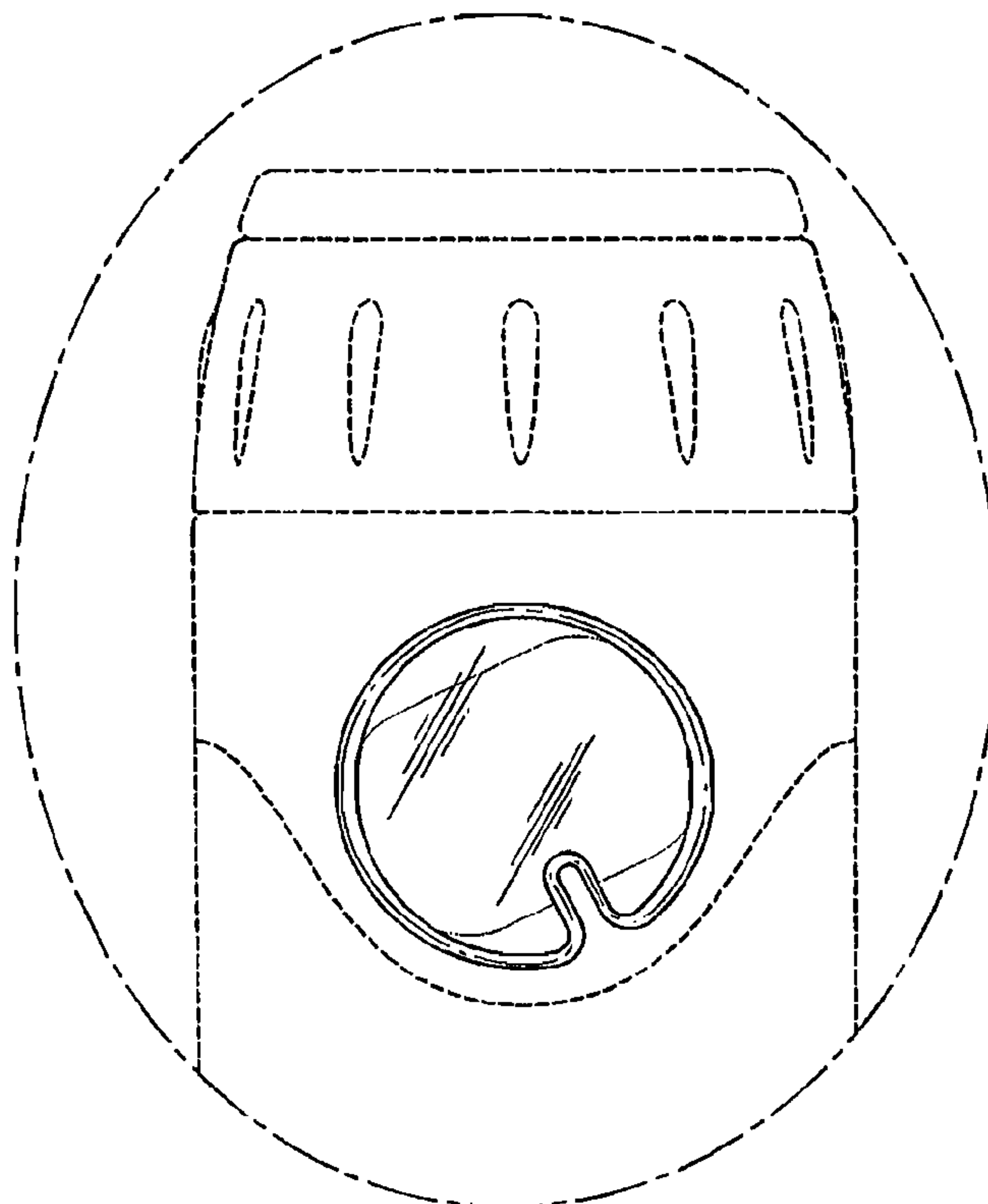


FIG.5

FIG.4

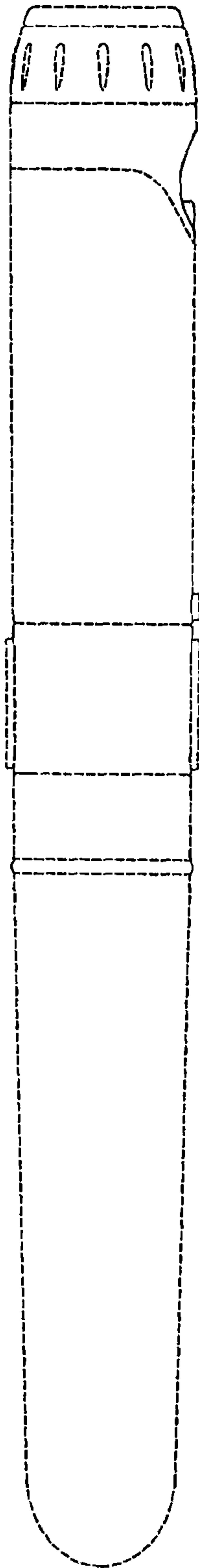


FIG. 6

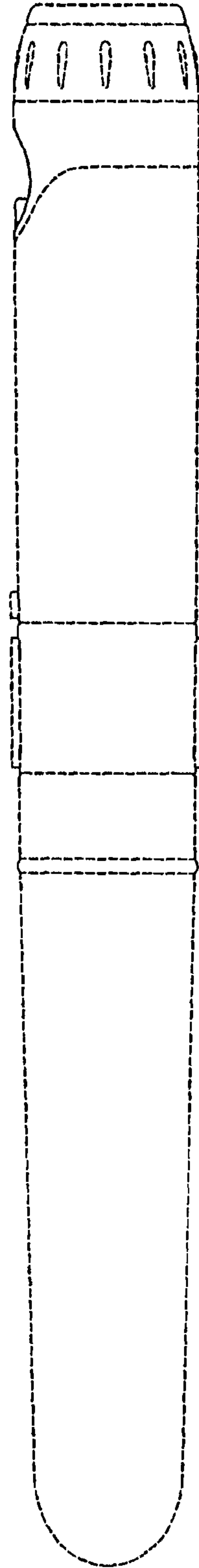


FIG. 7

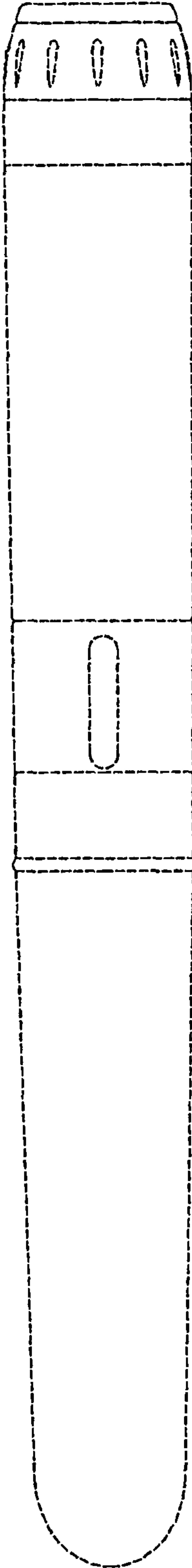


FIG.8

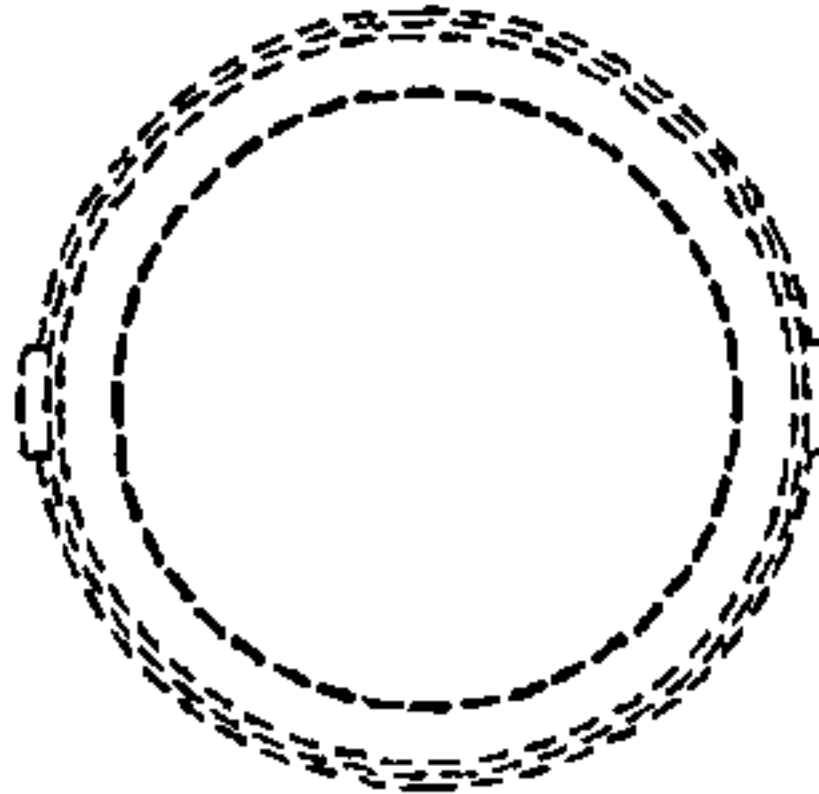


FIG.9