



US00D680642S

(12) **United States Design Patent**  
**Guerra et al.**

(10) **Patent No.:** **US D680,642 S**  
(45) **Date of Patent:** **\*\* Apr. 23, 2013**

(54) **ORAL AIRWAY**

(76) Inventors: **Phillip B. Guerra**, Arlington, TX (US);  
**Paul R. Prince**, San Juan Capistrano,  
CA (US)

(\*\*) Term: **14 Years**

(21) Appl. No.: **29/415,724**

(22) Filed: **Mar. 13, 2012**

(51) **LOC (9) Cl.** ..... **29-02**

(52) **U.S. Cl.**  
USPC ..... **D24/110.5**

(58) **Field of Classification Search** ..... D24/110,  
D24/110.5, 164; 128/200.26, 207.14  
See application file for complete search history.

7,278,420	B2 *	10/2007	Ganesh et al.	.....	128/200.26
2003/0000534	A1 *	1/2003	Alfery	.....	128/207.14
2003/0131853	A1	7/2003	Wall, Jr. et al.		
2006/0130840	A1	6/2006	Porat et al.		
2008/0000481	A1 *	1/2008	Ganesh et al.	.....	128/207.14
2008/0121229	A1 *	5/2008	Munn	.....	128/200.26
2008/0295849	A1	12/2008	Reynolds		
2008/0308108	A1	12/2008	Diorio		
2010/0170506	A1 *	7/2010	Pawels et al.	.....	128/200.26
2010/0199998	A1 *	8/2010	Matioc	.....	128/207.14

\* cited by examiner

*Primary Examiner* — Ian Simmons

*Assistant Examiner* — Richelle Shelton

(74) *Attorney, Agent, or Firm* — QuickPatents; Kevin Prince

(57) **CLAIM**

We claim the ornamental design for an oral airway, as shown and described.

**DESCRIPTION**

FIG. 1 is a perspective view of an oral airway, showing our new design;

FIG. 2 is a left-side elevational view thereof, the right-side elevational view being a mirror image thereof;

FIG. 3 is a rear elevational view thereof;

FIG. 4 is a front elevational view thereof;

FIG. 5 is a top plan view thereof; and,

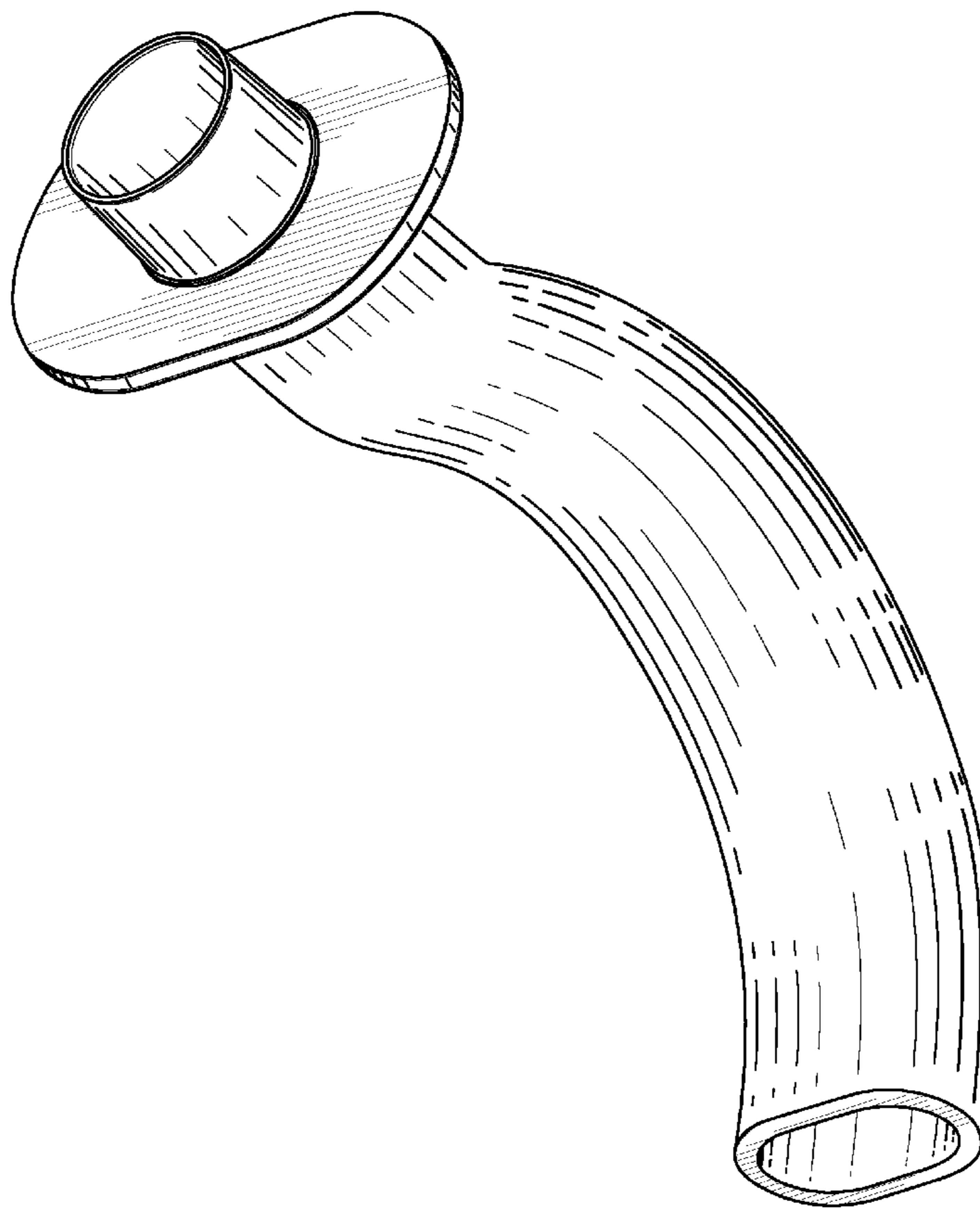
FIG. 6 is a bottom plan view thereof.

**1 Claim, 3 Drawing Sheets**

(56) **References Cited**

U.S. PATENT DOCUMENTS

2,705,959	A *	4/1955	Elmore	.....	128/207.14
3,756,244	A	9/1973	Kinnear et al.		
3,908,665	A *	9/1975	Moses	.....	128/207.14
4,338,930	A *	7/1982	Williams	.....	128/200.26
4,919,126	A *	4/1990	Baildon	.....	128/207.14
5,413,095	A	5/1995	Weaver		
5,513,634	A	5/1996	Jackson		
5,653,229	A *	8/1997	Greenberg	.....	128/207.15
6,256,524	B1 *	7/2001	Walker et al.	.....	600/340
7,171,962	B1	2/2007	Bloem		



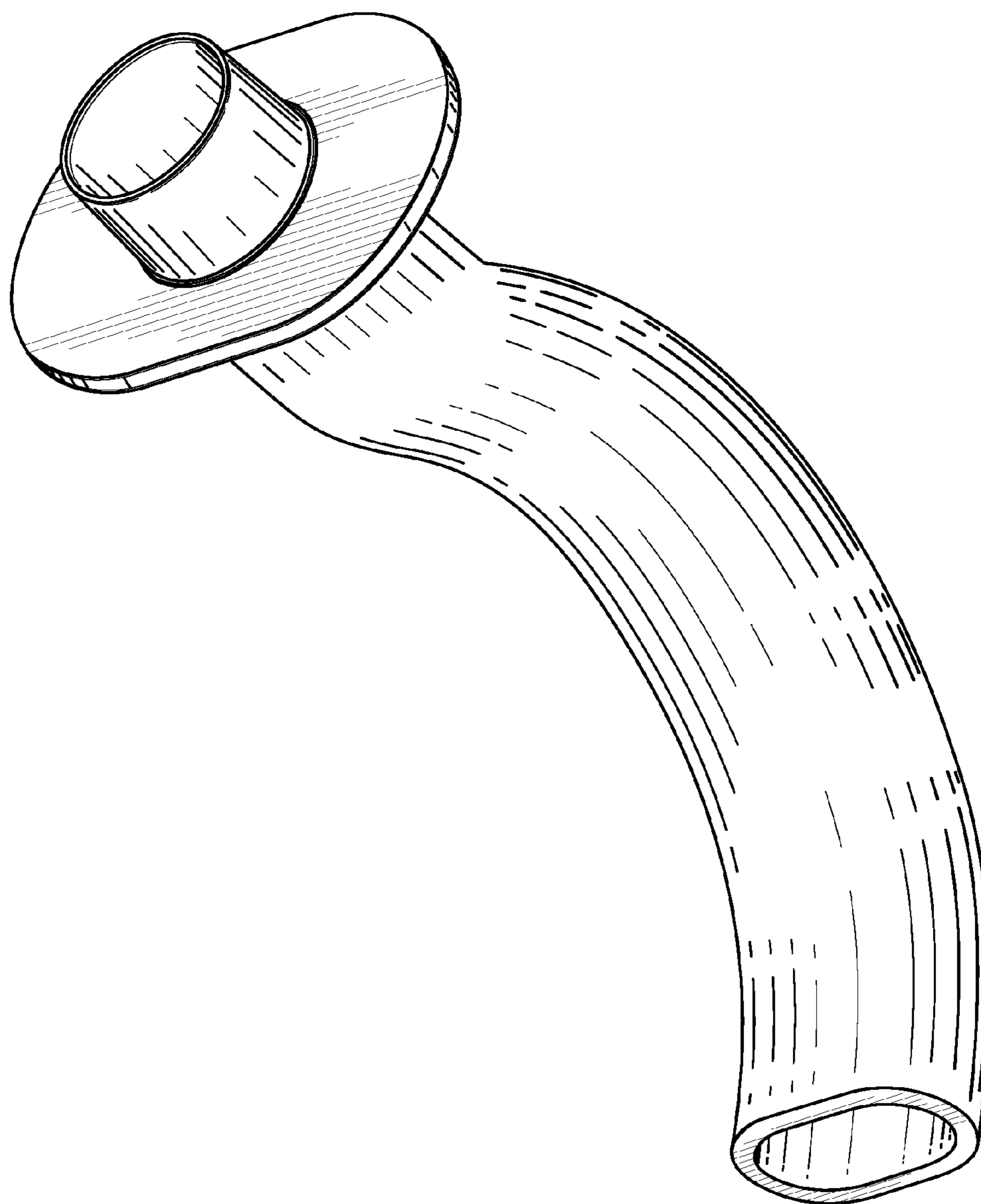


FIG. 1

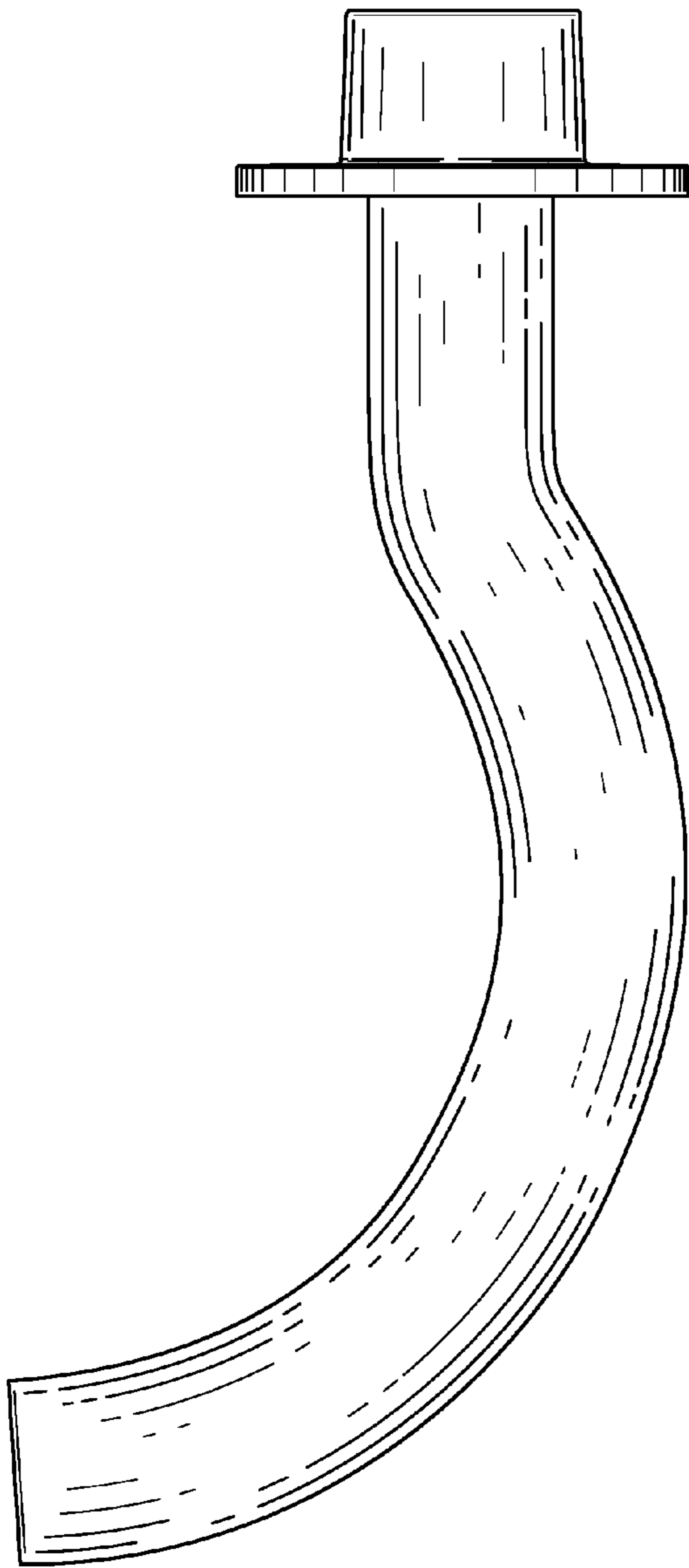


FIG. 2

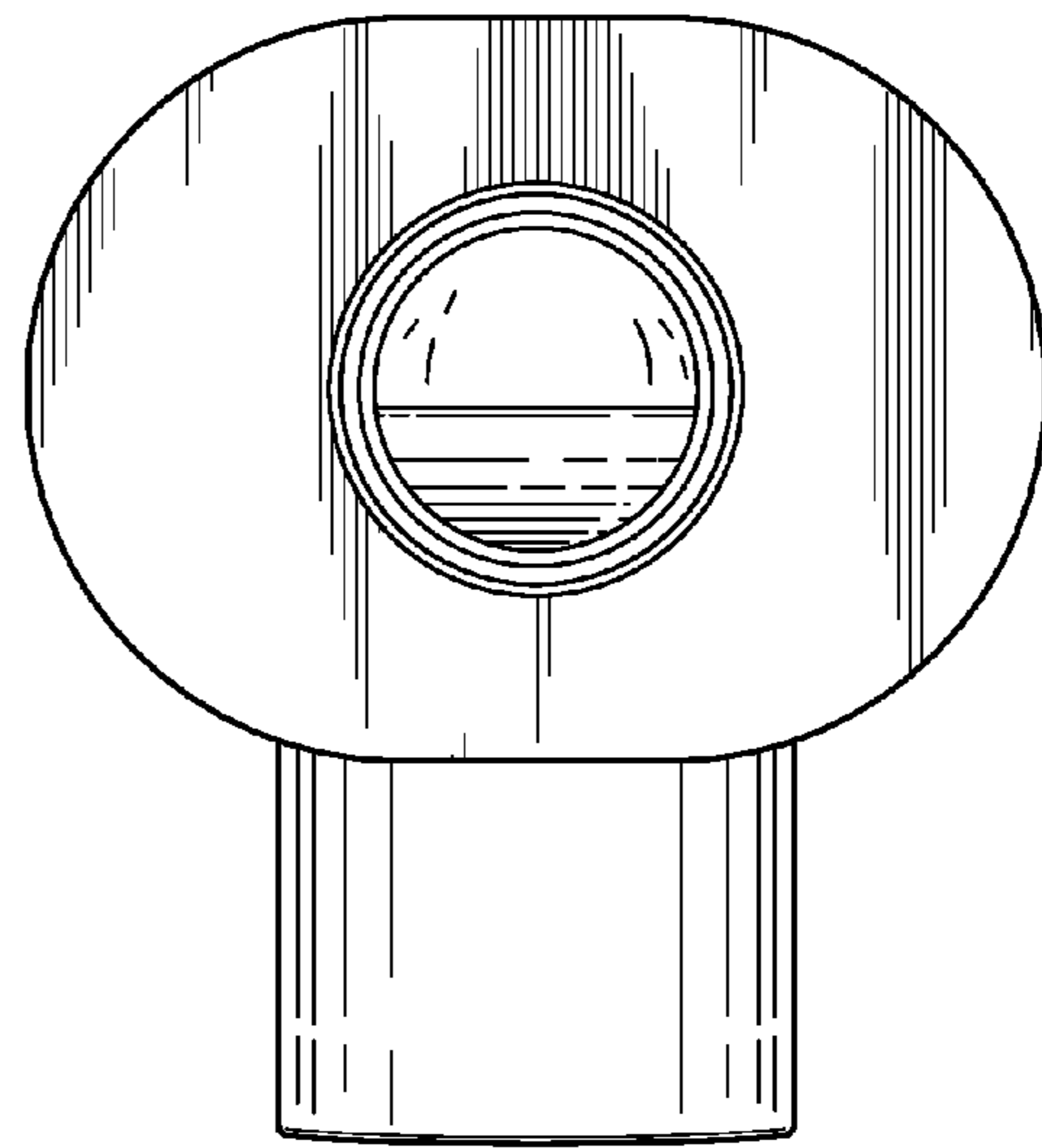


FIG. 3

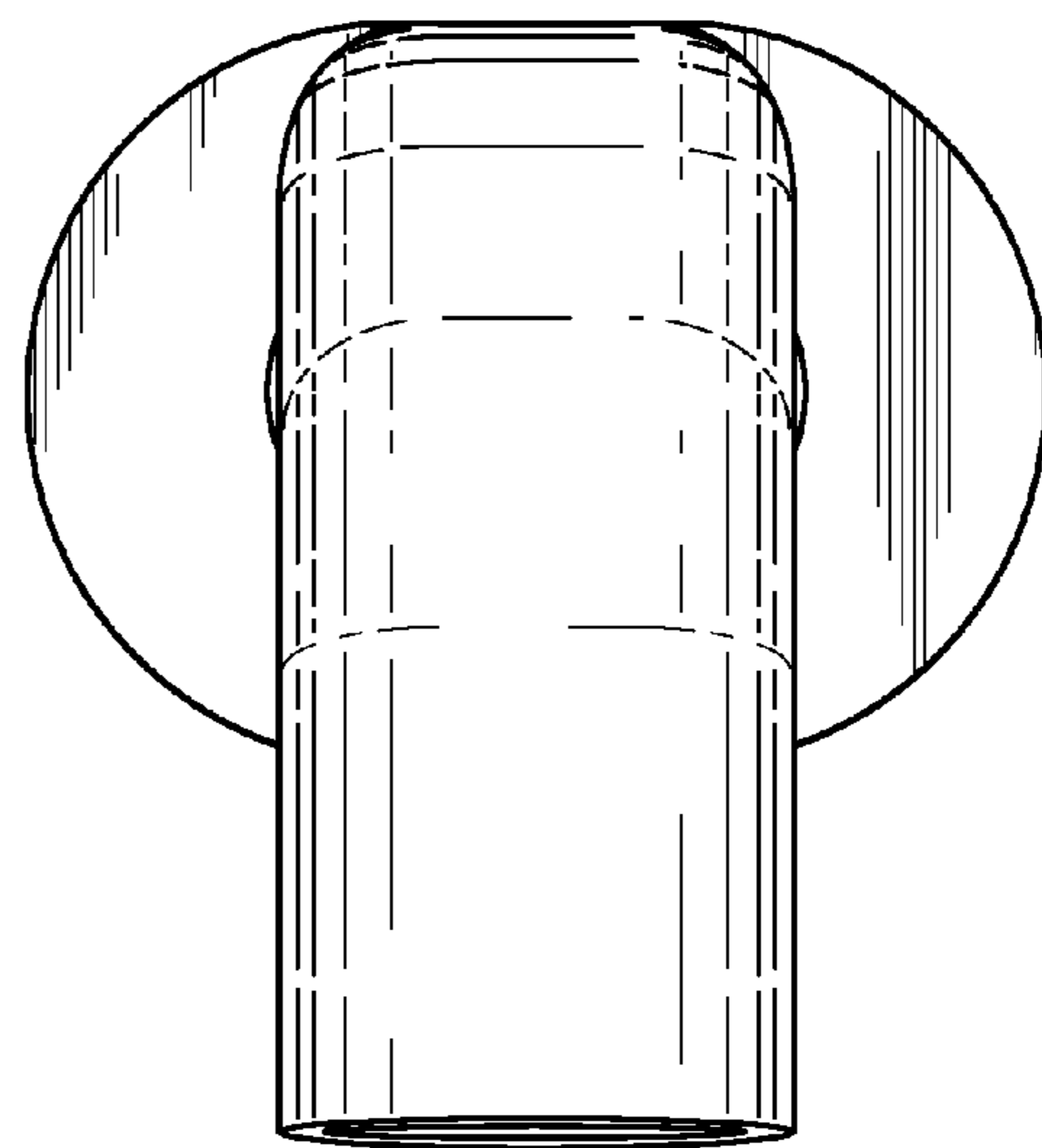


FIG. 4

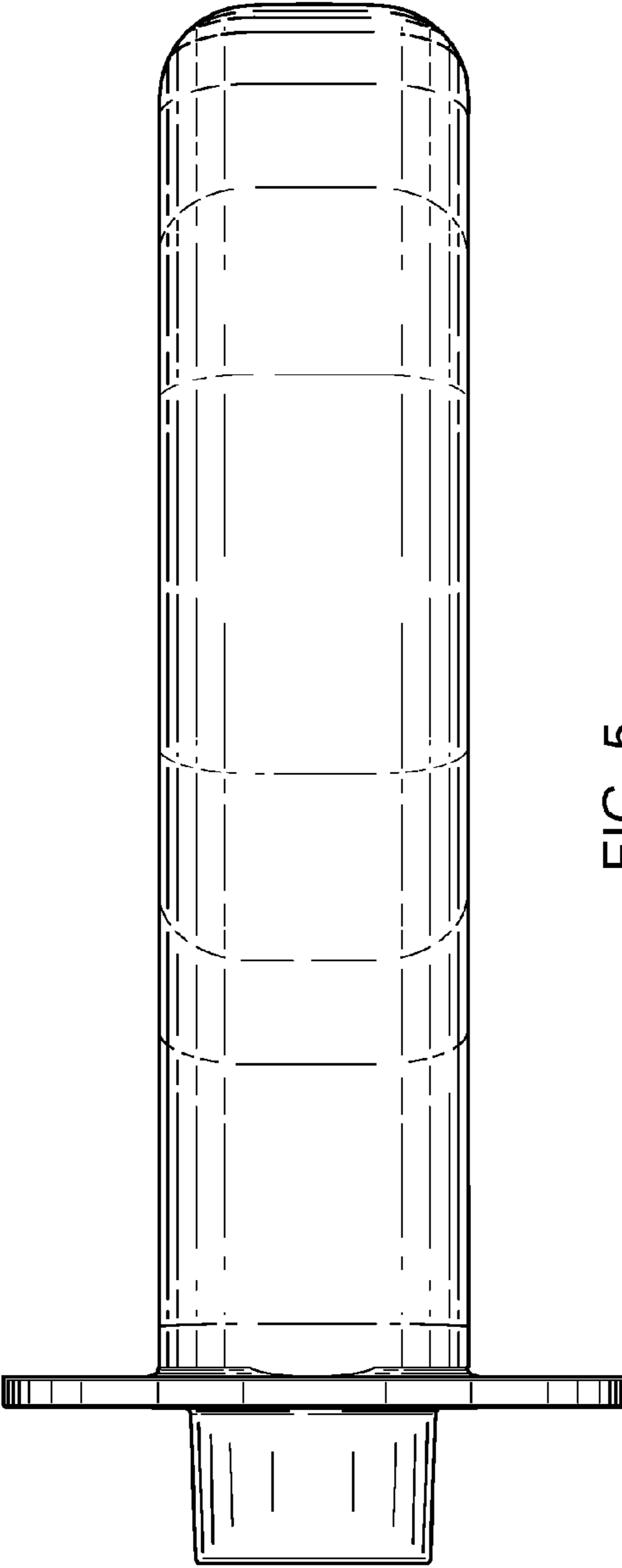


FIG. 5

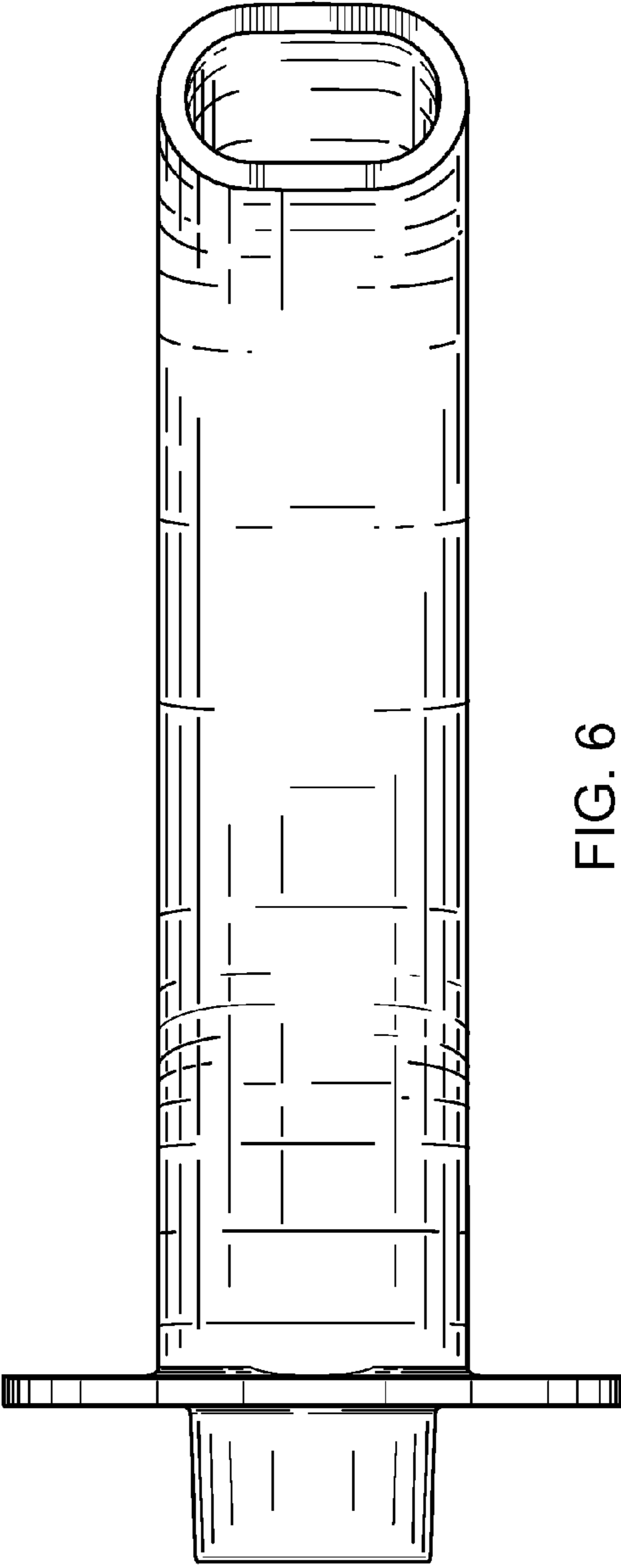


FIG. 6