



US00D680641S

(12) **United States Design Patent**
Dwyer et al.

(10) **Patent No.:** **US D680,641 S**
(45) **Date of Patent:** **** Apr. 23, 2013**

(54) **FILTER COVER FOR POWERED AIR PURIFYING RESPIRATOR**

(75) Inventors: **Gary E. Dwyer**, Mallorytown (CA);
Nathan A. Abel, Minneapolis, MN (US);
James E. Steffen, Woodbury, MN (US);
John M. Pilgrim, Woodbury, MN (US)

(73) Assignee: **3M Innovative Properties Company**,
St. Paul, MN (US)

(**) Term: **14 Years**

(21) Appl. No.: **29/413,404**

(22) Filed: **Feb. 15, 2012**

(51) **LOC (9) Cl.** **29-02**

(52) **U.S. Cl.**
USPC **D24/110**

(58) **Field of Classification Search** D24/110,
D24/164; D23/364, 365; D14/188, 257,
D14/258; 128/200.24, 204.18, 204.21, 205.12,
128/205.27

See application file for complete search history.

(56) **References Cited**

U.S. PATENT DOCUMENTS

4,899,740	A	2/1990	Napolitano	
D464,725	S *	10/2002	Petherbridge et al.	D24/110.1
D479,524	S *	9/2003	Nara	D14/258
D585,131	S *	1/2009	Trevor-Wilson et al.	D24/110
D632,375	S	2/2011	Curran	
D646,379	S	10/2011	Huh	
D654,070	S *	2/2012	Silva et al.	D14/257
2009/0314295	A1	12/2009	Hatmaker	
2011/0126713	A1	6/2011	Legare	
2011/0146682	A1 *	6/2011	Patil et al.	128/204.21

OTHER PUBLICATIONS

Miller PAPR webpage obtained from internet on Feb. 20, 2012 http://www.millerwelds.com/products/welding_protection/filtration/papr/.

U.S. Appl. No. 29/413,397 to Abel et al., filed Feb. 15, 2012, entitled *Powered Air Purifying Respirator (PAPR) Blower Having Stylized Top*.

U.S. Appl. No. 29/413,398 to Abel et al., filed Feb. 15, 2012, entitled *Powered Air Purifying Respirator (PAPR) Blower Having Stylized Bottom*.

U.S. Appl. No. 29/413,400 to Hu et al., filed Feb. 15, 2012, entitled *Powered Air Purifying Respirator (PAPR) Blower Having Attachment Bosses*.

U.S. Appl. No. 29/413,401 to Dwyer et al., filed Feb. 15, 2012, entitled *Small Filter Cover for Powered Air Purifying Respirator (PAPR)*.

U.S. Appl. No. 29/413,408 to Abel et al., filed Feb. 15, 2012, entitled *Filter Cover for Powered Air Purifying Respirator (PAPR) Having Stylized Groove*.

U.S. Appl. No. 29/413,423 to Abel et al., filed Feb. 15, 2012, entitled *Powered Air Purifying Respirator (PAPR) Having Control Panel*.

* cited by examiner

Primary Examiner — Ian Simmons

Assistant Examiner — Richelle Shelton

(74) *Attorney, Agent, or Firm* — Eric D. Levinson

(57) **CLAIM**

The ornamental design for a filter cover for powered air purifying respirator, as shown and described.

DESCRIPTION

FIG. 1 is a front perspective view showing the new design for a filter cover for powered air purifying respirator;

FIG. 2 is a front view thereof;

FIG. 3 is a back view thereof;

FIG. 4 is a top view thereof;

FIG. 5 is a bottom view thereof;

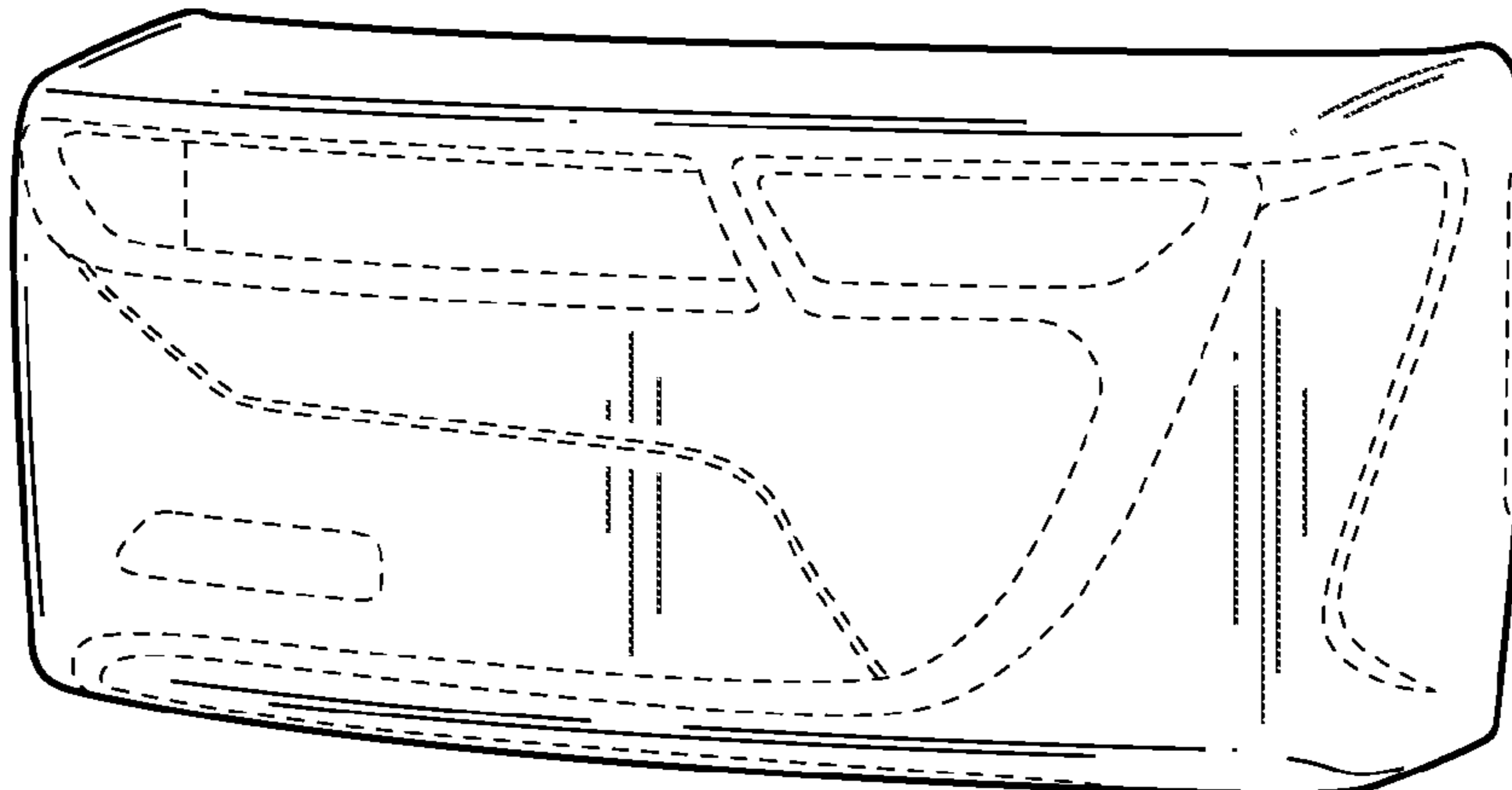
FIG. 6 is an enlarged left side view thereof; and,

FIG. 7 is an enlarged right side view thereof.

The broken lines enclosing portions of the article are included for the purpose of illustrating structure that is not part of the claimed design.

The shading is provided to illustrate contour only and is not an indication of surface texture.

1 Claim, 3 Drawing Sheets



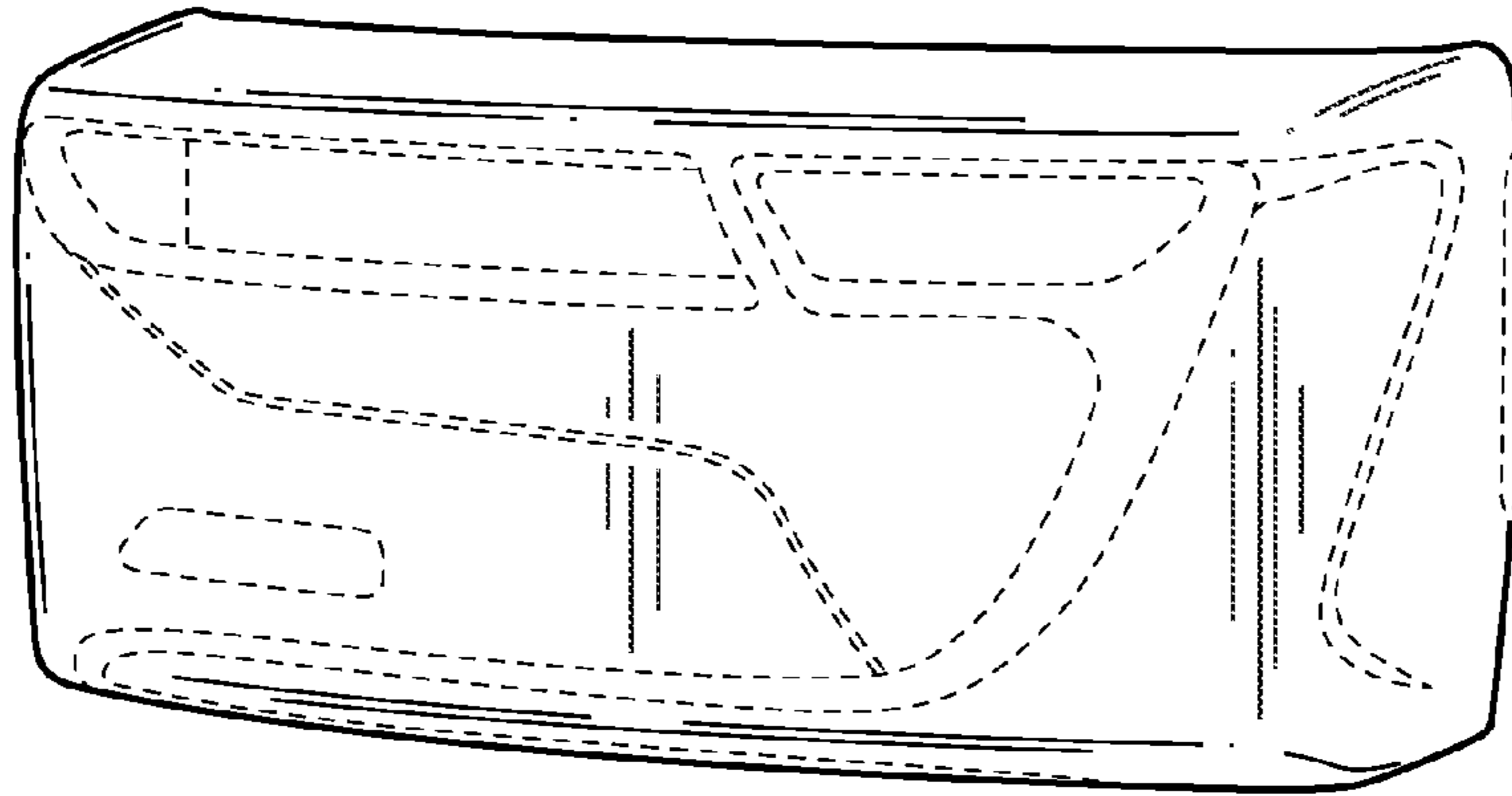


FIG. 1

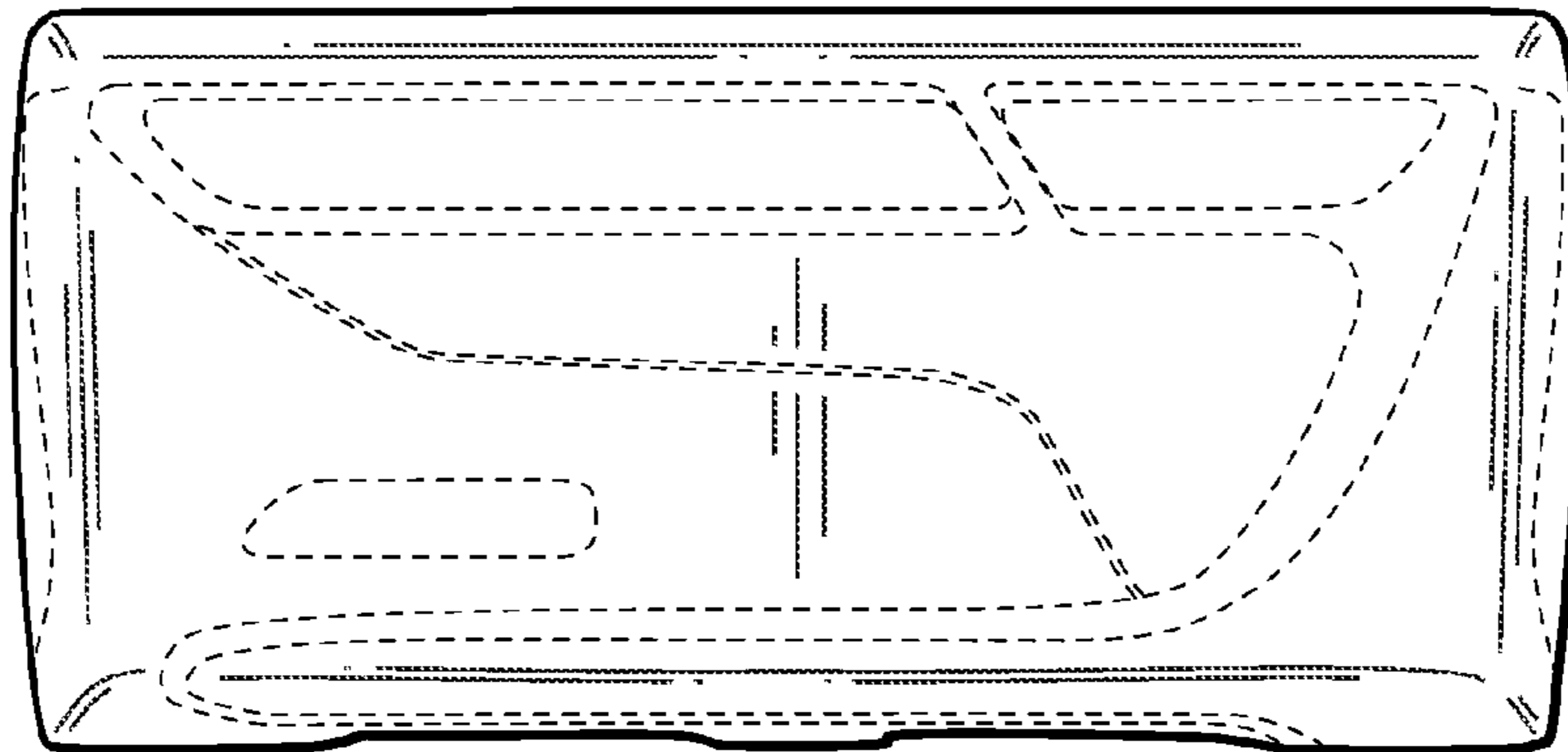


FIG. 2

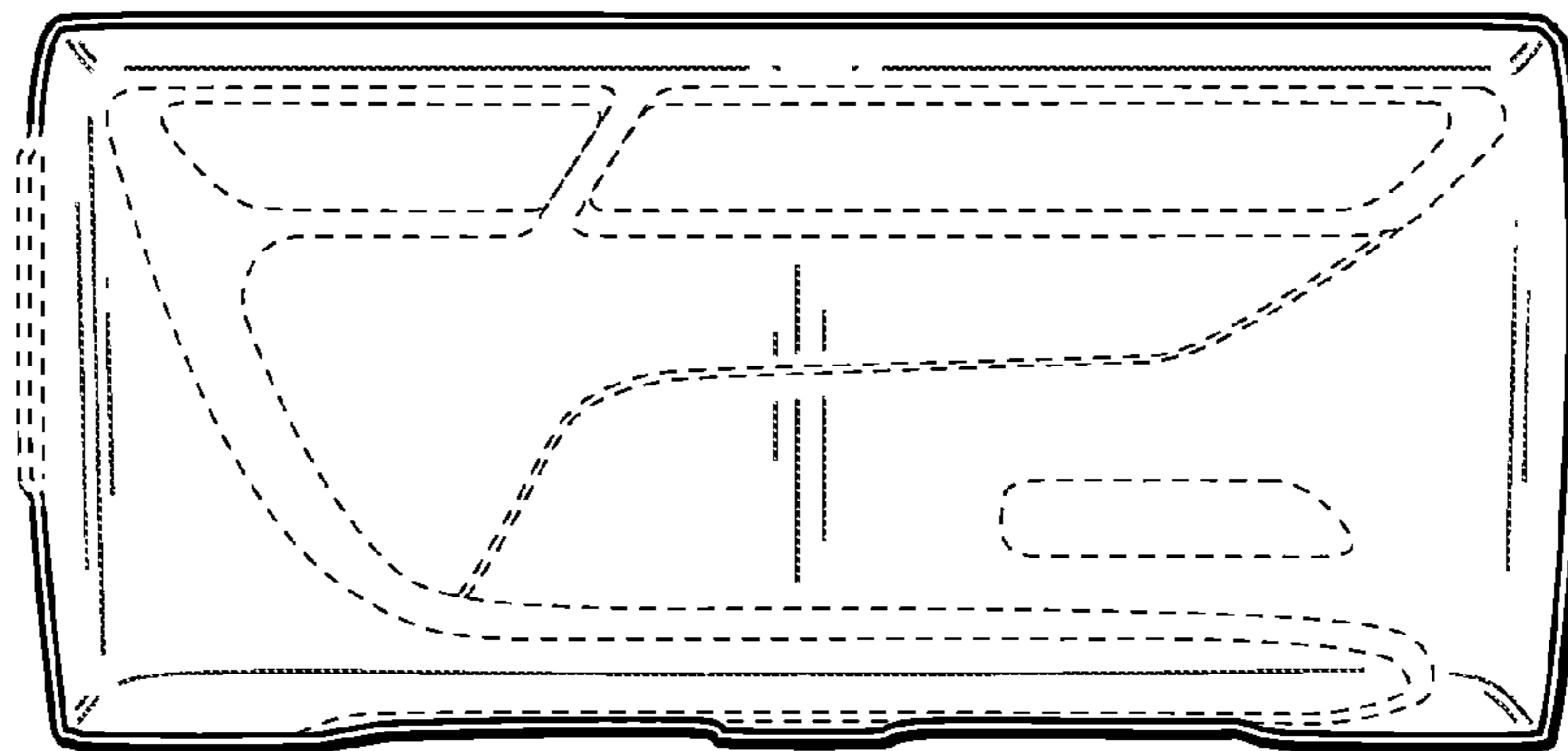


FIG. 3

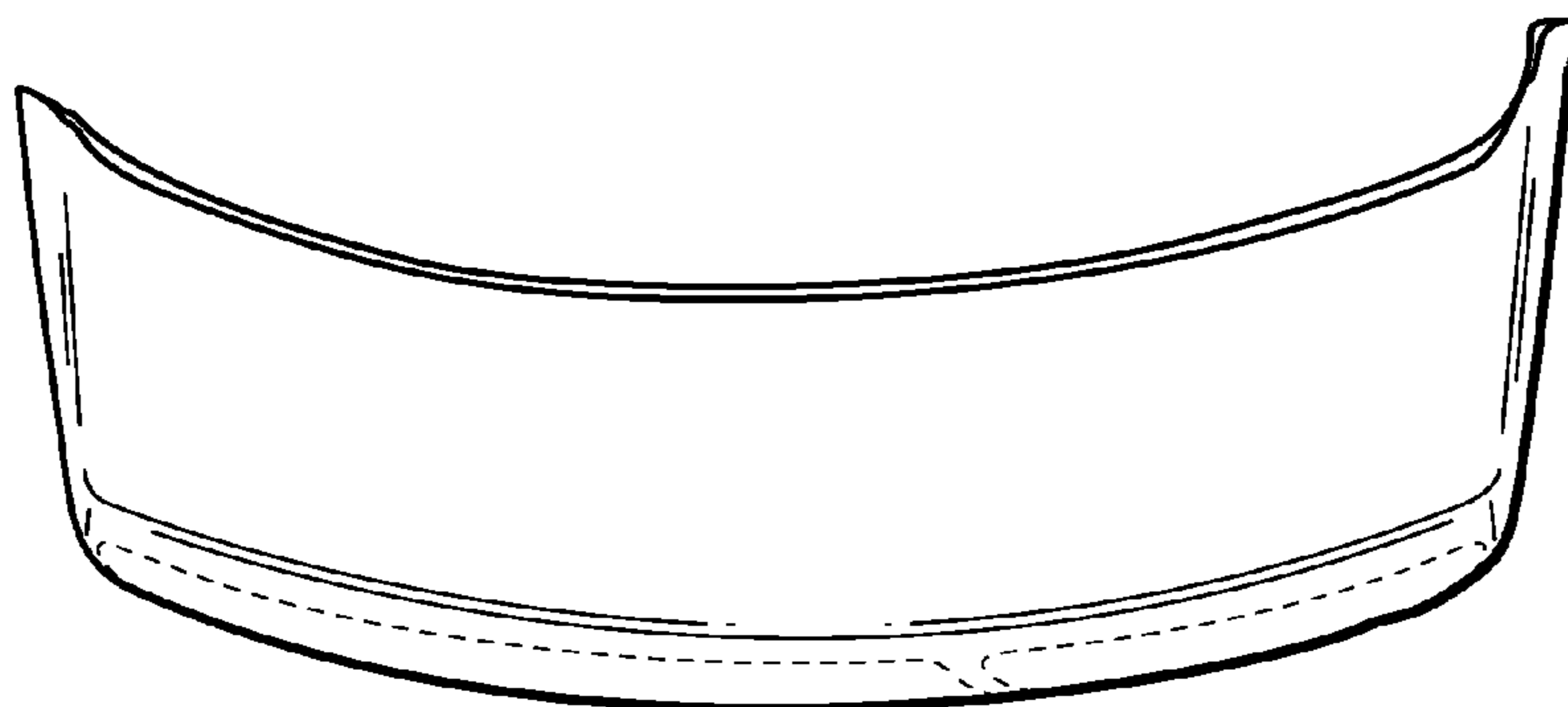


FIG. 4

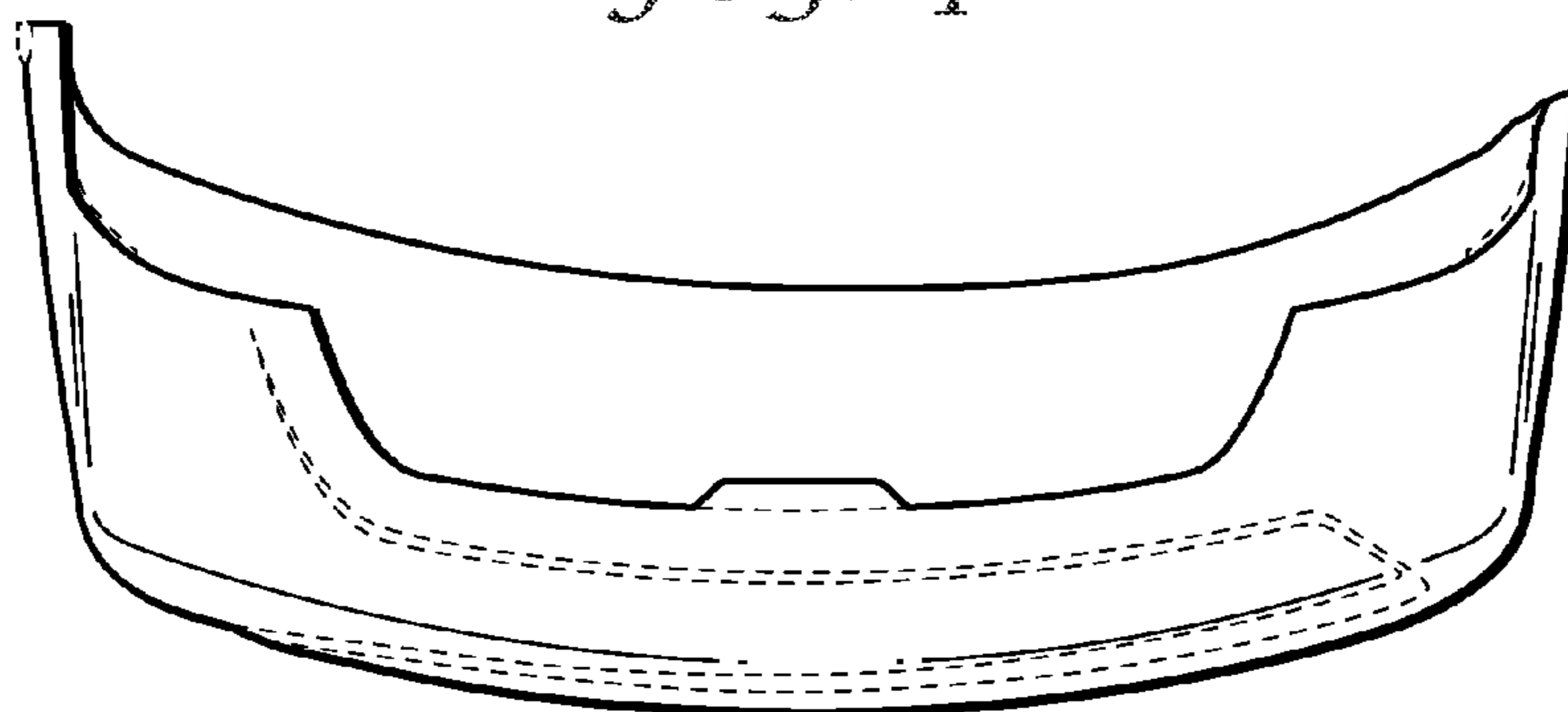


FIG. 5

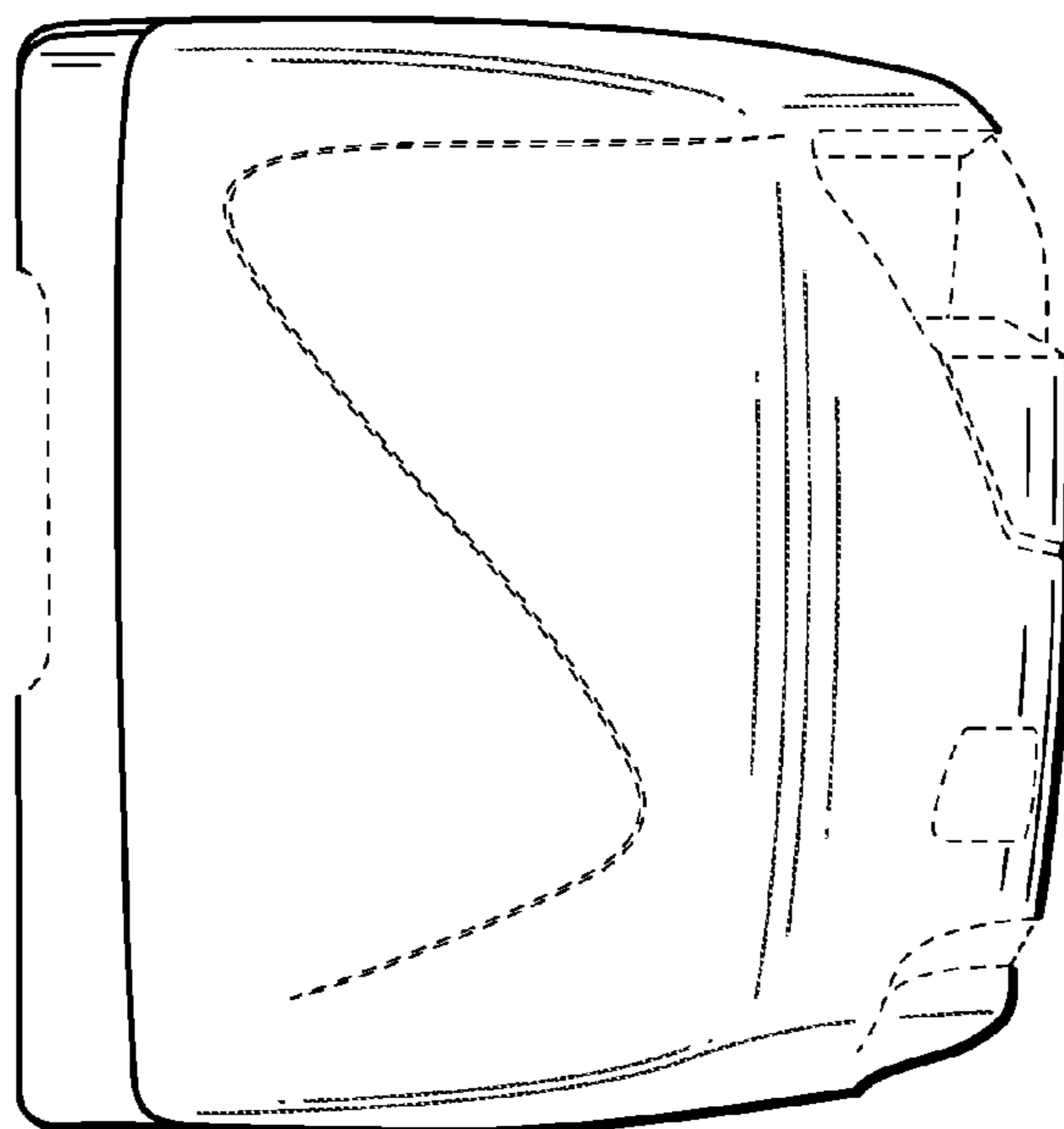


FIG. 6

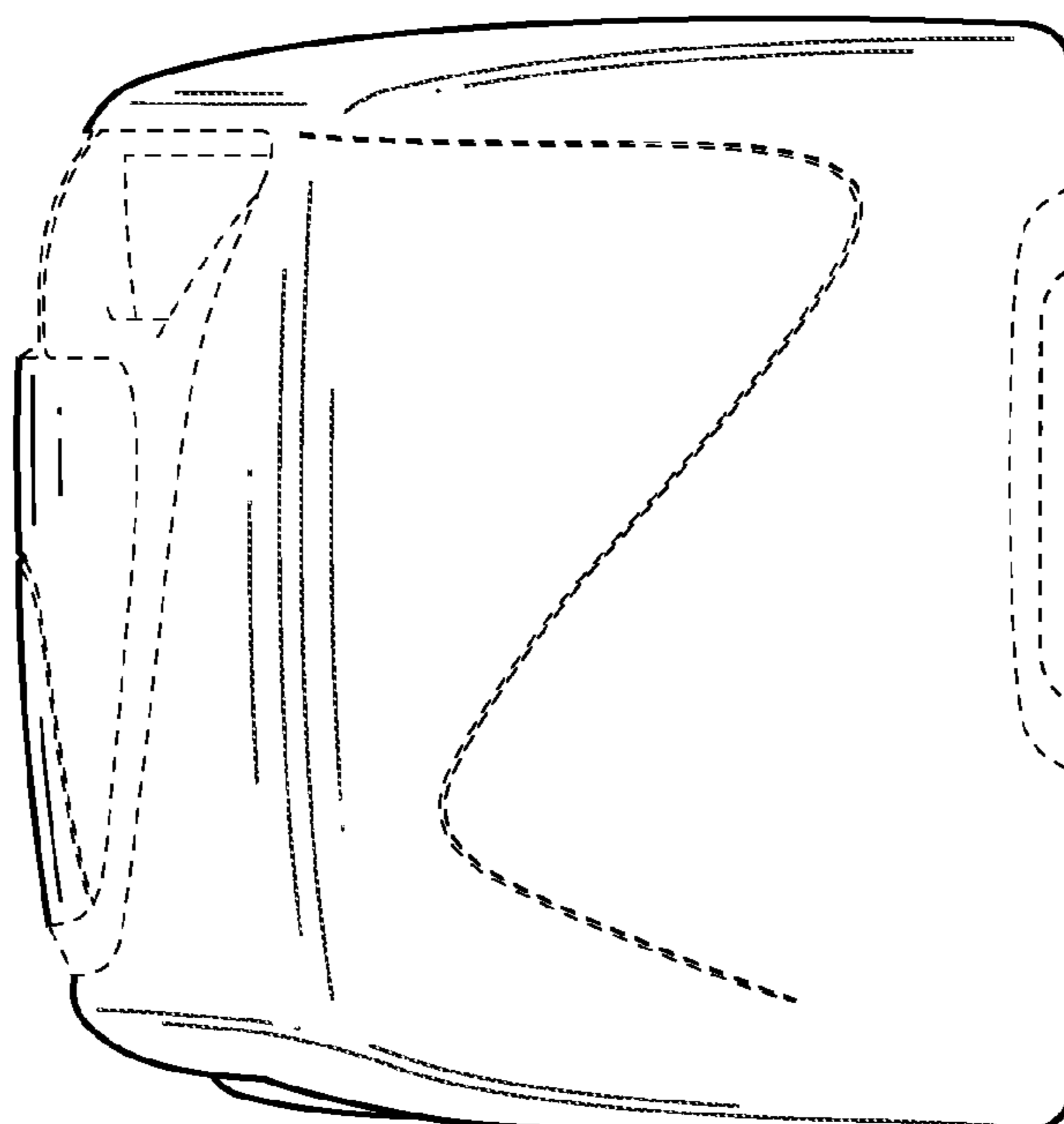


FIG. 7