



US00D680640S

(12) **United States Design Patent**
Merchant et al.

(10) **Patent No.:** **US D680,640 S**
(45) **Date of Patent:** **** Apr. 23, 2013**

(54) **HANDPIECE**

(75) Inventors: **Adnan I. Merchant**, Fremont, CA (US);
David B. Mogill, Westminster, CO (US);
Wayne A. Siebrecht, Golden, CO (US)

(73) Assignee: **Sound Surgical Technologies LLC**,
Louisville, CO (US)

(**) Term: **14 Years**

(21) Appl. No.: **29/402,984**

(22) Filed: **Sep. 29, 2011**

(51) **LOC (9) Cl.** **24-01**

(52) **U.S. Cl.**
USPC **D24/108**

(58) **Field of Classification Search** D24/108,
D24/111, 112, 113, 129, 130, 133, 146, 147;
600/367, 566, 567, 573; 604/22, 35, 65,
604/902; 606/27, 67, 80, 169, 170, 171,
606/172, 174, 180; D28/50, 58
See application file for complete search history.

(56) **References Cited**

U.S. PATENT DOCUMENTS

6,152,941 A * 11/2000 Himes et al. 606/180
D594,556 S * 6/2009 Kagawa D24/152
2004/0010233 A1 * 1/2004 Hjertman et al. 604/187
2007/0088245 A1 * 4/2007 Babaev et al. 604/22
2008/0097410 A1 * 4/2008 Lee 604/540

2011/0066122 A1 * 3/2011 Stanton et al. 604/319
2011/0089248 A1 * 4/2011 Deng et al. 235/492
2011/0166502 A1 * 7/2011 Nallakrishnan 604/22
2011/0245599 A1 * 10/2011 Auclair et al. 600/104
2011/0301578 A1 * 12/2011 Muniz-Medina et al. 606/1
2012/0078234 A1 * 3/2012 Merchant et al. 604/542

FOREIGN PATENT DOCUMENTS

DE 202011000575 U1 * 6/2011
WO WO 2005096965 A1 * 10/2005

* cited by examiner

Primary Examiner — Ian Simmons

Assistant Examiner — Shannon Weekley

(74) *Attorney, Agent, or Firm* — Merchant & Gould P.C.

(57) **CLAIM**

The ornamental design for a handpiece, as shown and described.

DESCRIPTION

FIG. 1 is a perspective view of an embodiment of a handpiece showing a new design;

FIG. 2 is a front view of the handpiece of FIG. 1;

FIG. 3 is a rear or back view of the handpiece of FIG. 1;

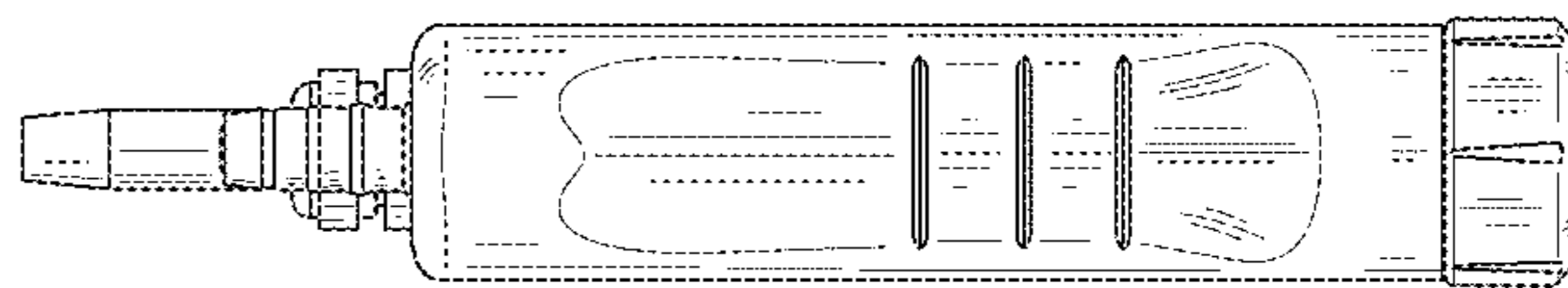
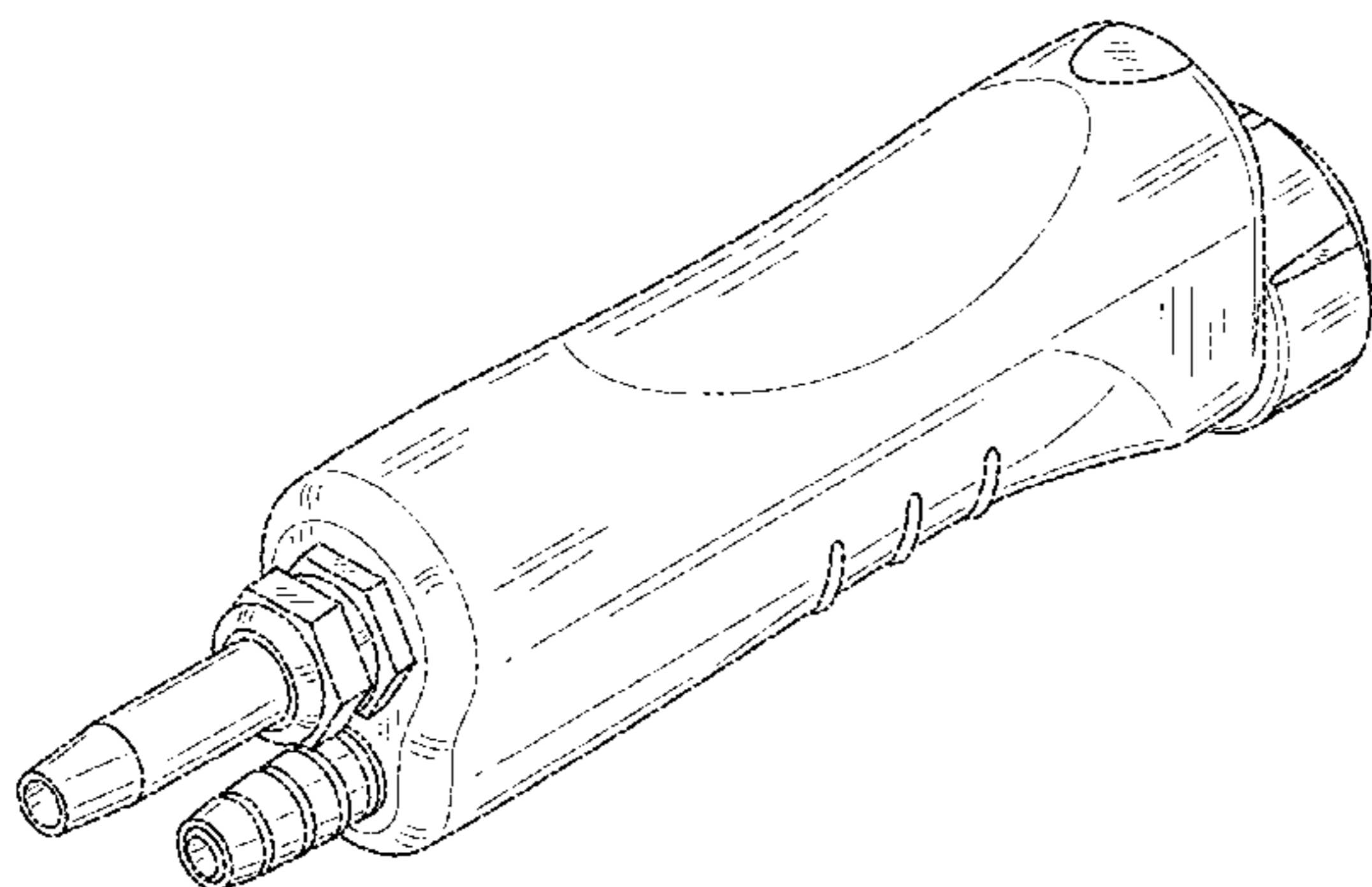
FIG. 4 is a right side elevation view of the handpiece of FIG. 1;

FIG. 5 is a left side elevation view of the handpiece of FIG. 1;

FIG. 6 is a top view of the handpiece of FIG. 1; and,

FIG. 7 is a bottom view of the handpiece of FIG. 1.

1 Claim, 4 Drawing Sheets



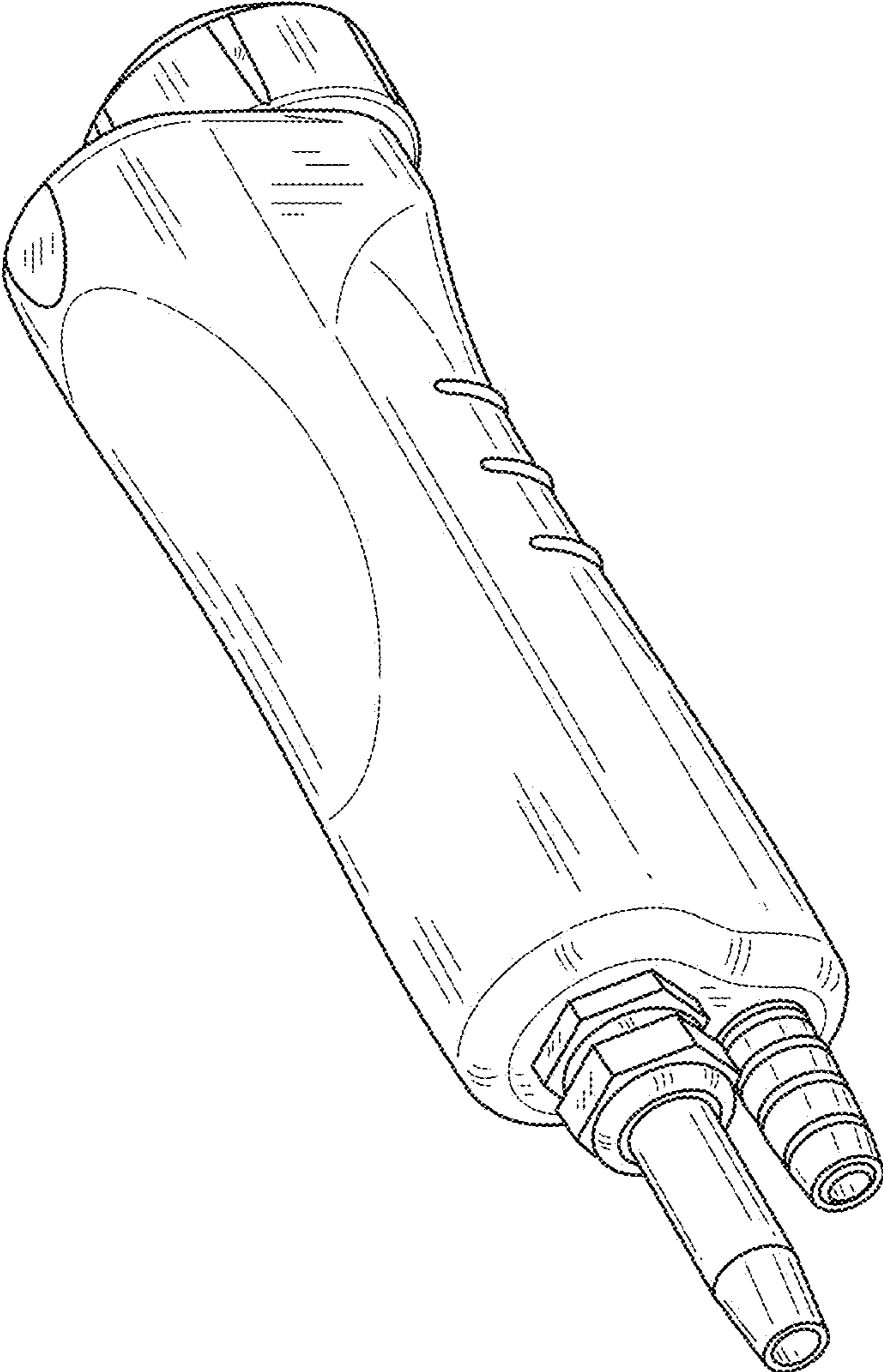


FIG. 1

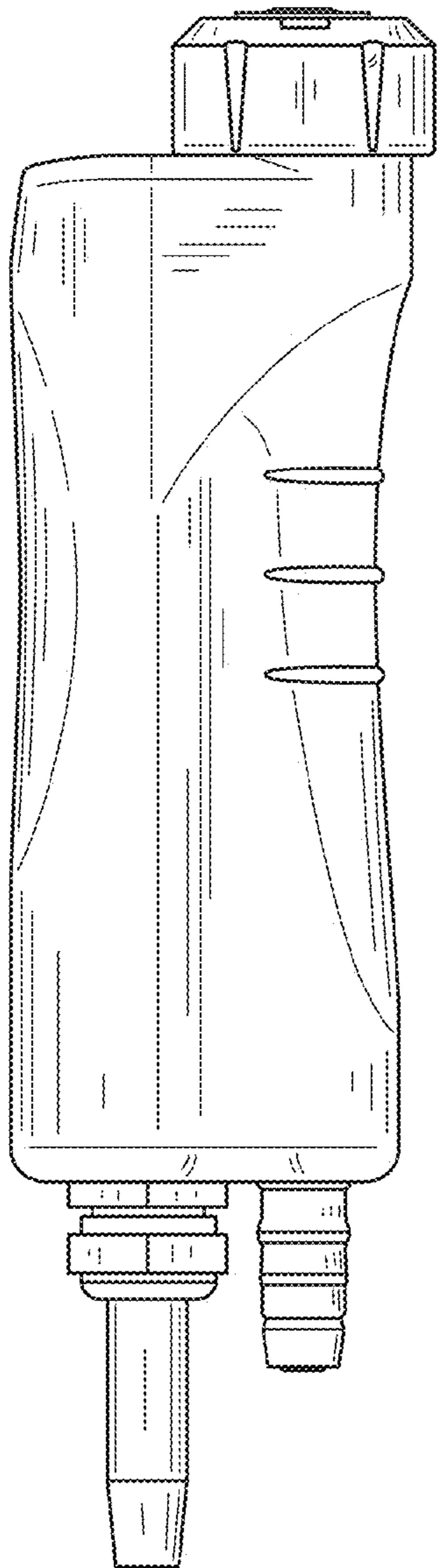


FIG. 2

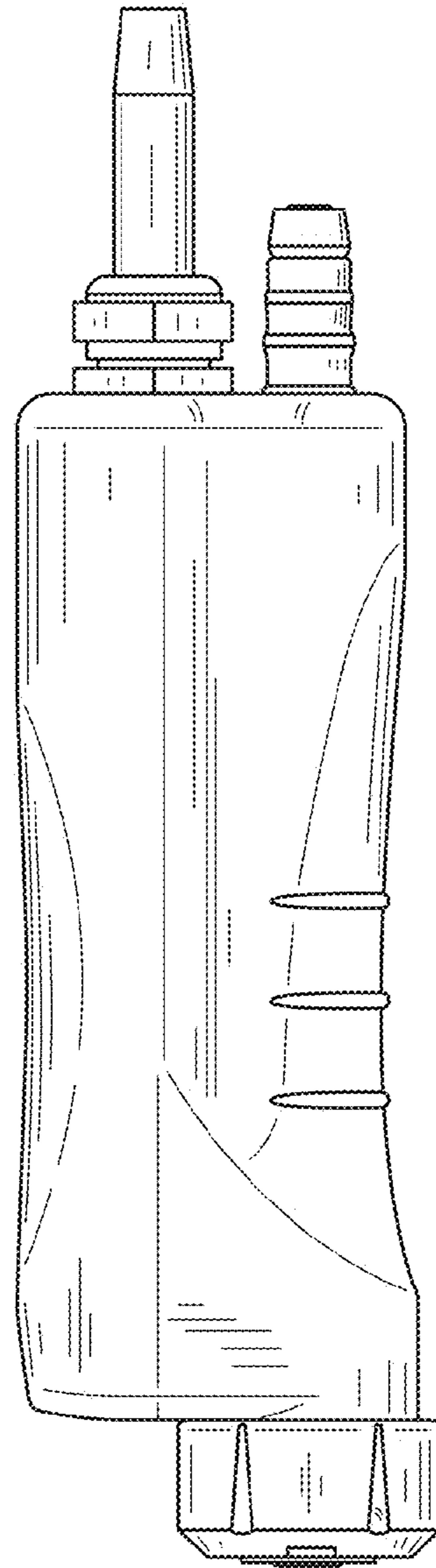


FIG. 3

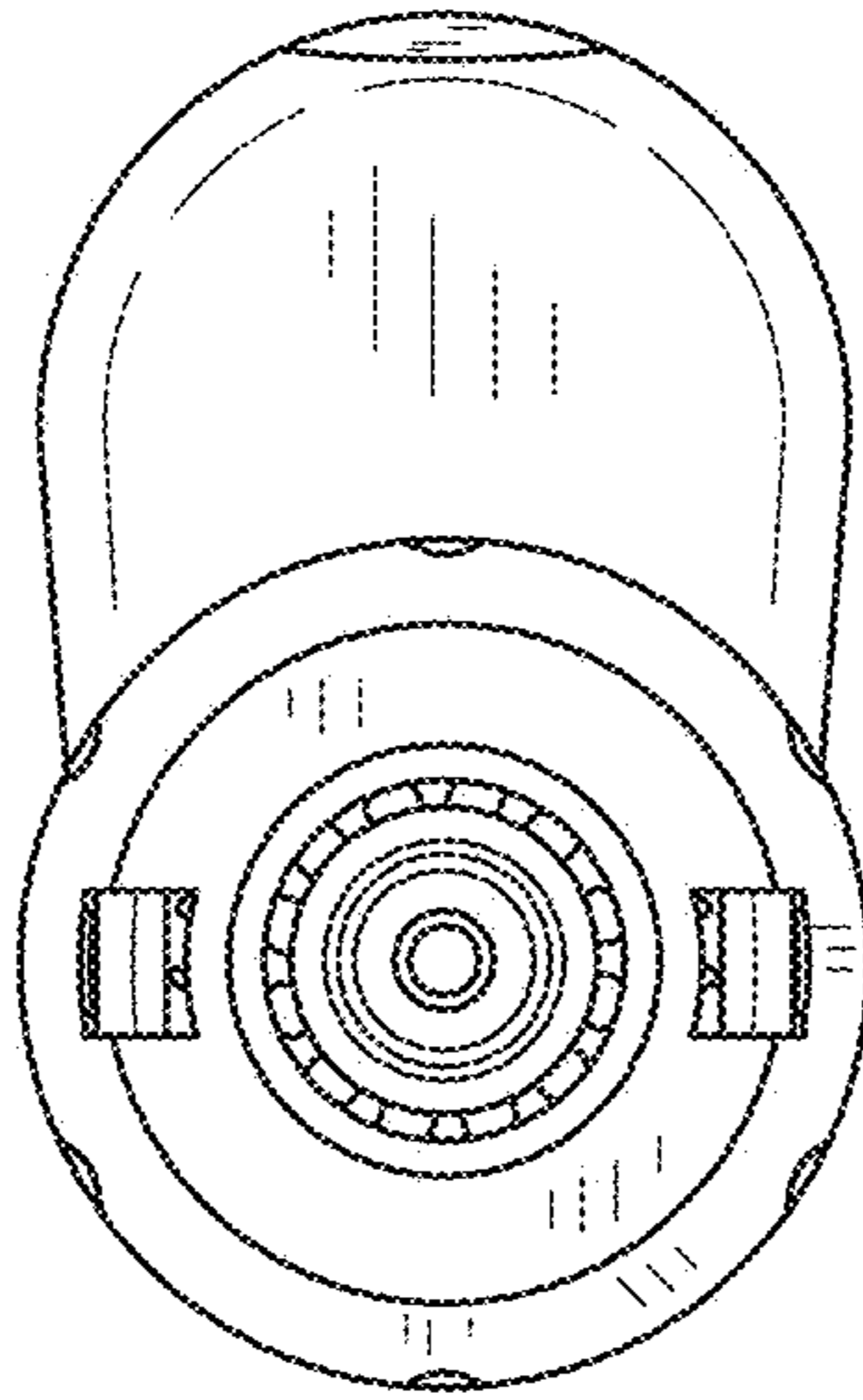


FIG. 4

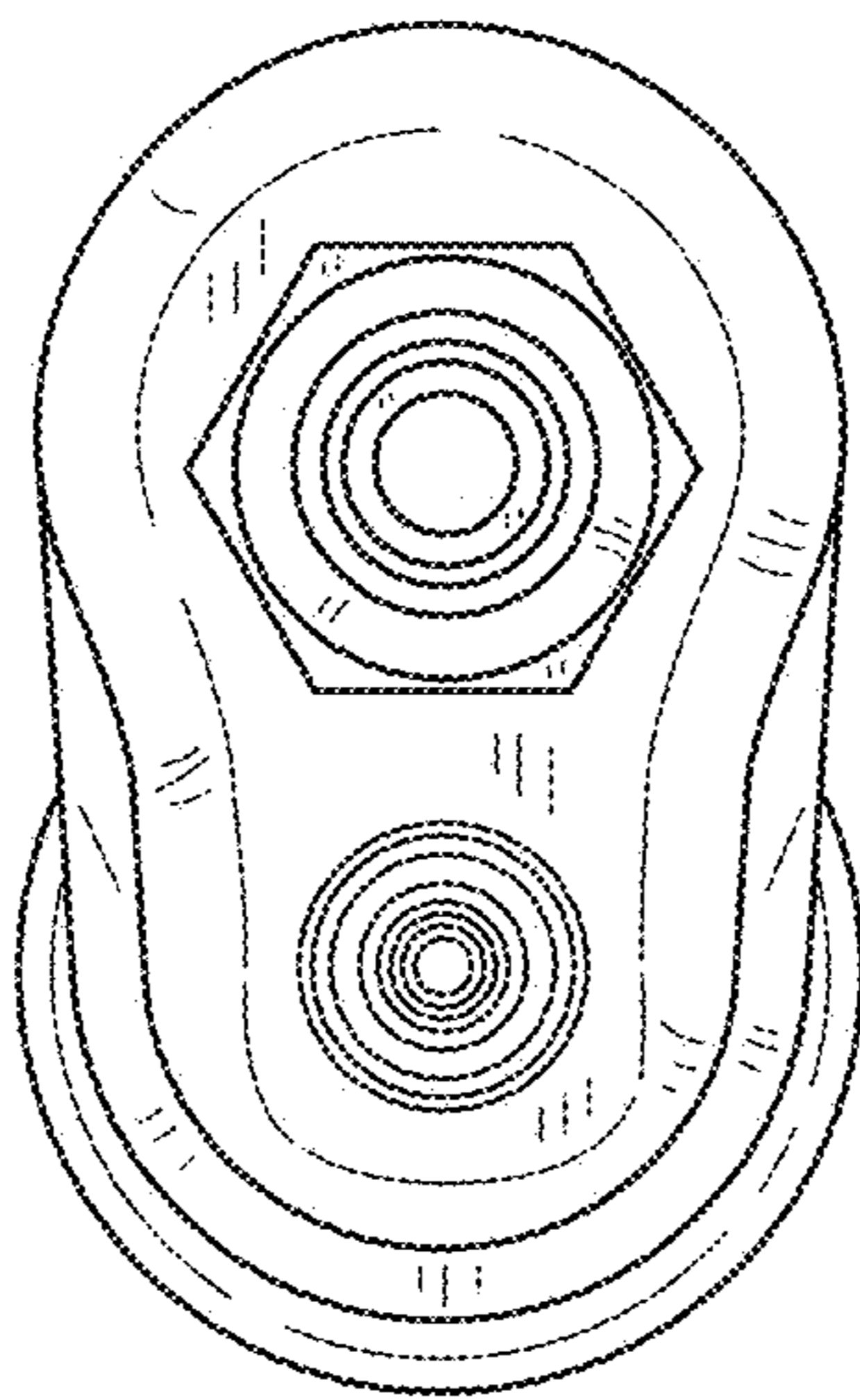


FIG. 5

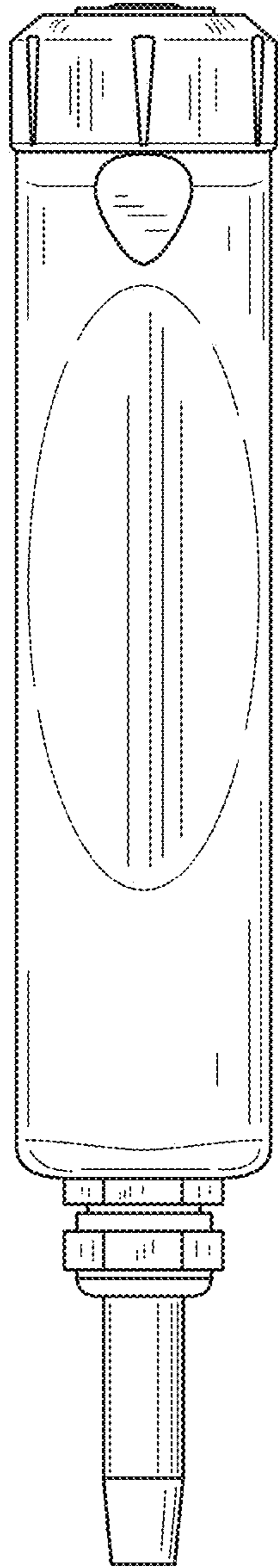


FIG. 6

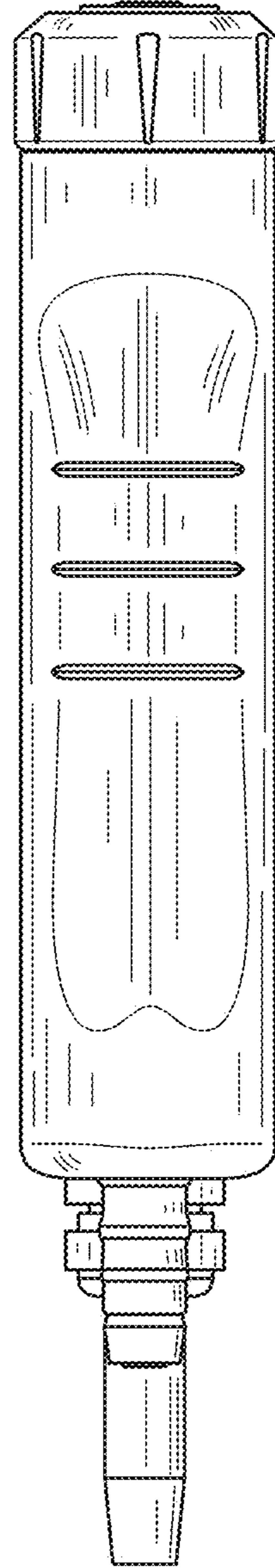


FIG. 7