



US00D680637S

(12) **United States Design Patent**
Blachford et al.

(10) **Patent No.:** **US D680,637 S**

(45) **Date of Patent:** **** Apr. 23, 2013**

(54) **AIR FRESHENER**

(75) Inventors: **Marcus James Blachford**, Warwick (GB); **Daniel Huw Reynolds**, Warwick (GB); **Dai Sanders**, Warwick (GB)

(73) Assignee: **Reckitt & Colman (Overseas) Limited**, Slough, Berkshire (GB)

(**) Term: **14 Years**

(21) Appl. No.: **29/420,653**

(22) Filed: **May 11, 2012**

(30) **Foreign Application Priority Data**

Nov. 16, 2011 (EM) 001948365-0001

(51) **LOC (9) Cl.** **28-99**

(52) **U.S. Cl.**
USPC **D23/366**

(58) **Field of Classification Search** D23/355-369;
D28/5, 6; 261/DIG. 17, DIG. 42, DIG. 65,
261/DIG. 88, DIG. 89; 392/386, 390, 394,
392/395; 239/34, 44, 53, 55, 56, 326; D26/14,
D26/17, 98

See application file for complete search history.

(56) **References Cited**

U.S. PATENT DOCUMENTS

D461,549 S * 8/2002 Garcia D23/360
D462,755 S * 9/2002 Basaganas Millan D23/366

D533,930 S * 12/2006 Keller et al. D23/366
D547,850 S * 7/2007 Michaels et al. D23/366
D548,317 S * 8/2007 Newton et al. D23/366
D560,788 S * 1/2008 Farrell et al. D23/366
D582,534 S * 12/2008 Conway et al. D23/366
D593,669 S * 6/2009 Daelemans et al. D23/366
D604,824 S * 11/2009 Paolazzi et al. D23/366
D607,553 S * 1/2010 Roller D23/366
D620,576 S * 7/2010 Jorgensen D23/366
D639,923 S * 6/2011 Belongia et al. D23/366
D663,018 S * 7/2012 Sordo et al. D23/366
D667,574 S * 9/2012 Abbondanzio et al. D26/22

* cited by examiner

Primary Examiner — Sandra Snapp

(74) *Attorney, Agent, or Firm* — Norris McLaughlin & Marcus PA

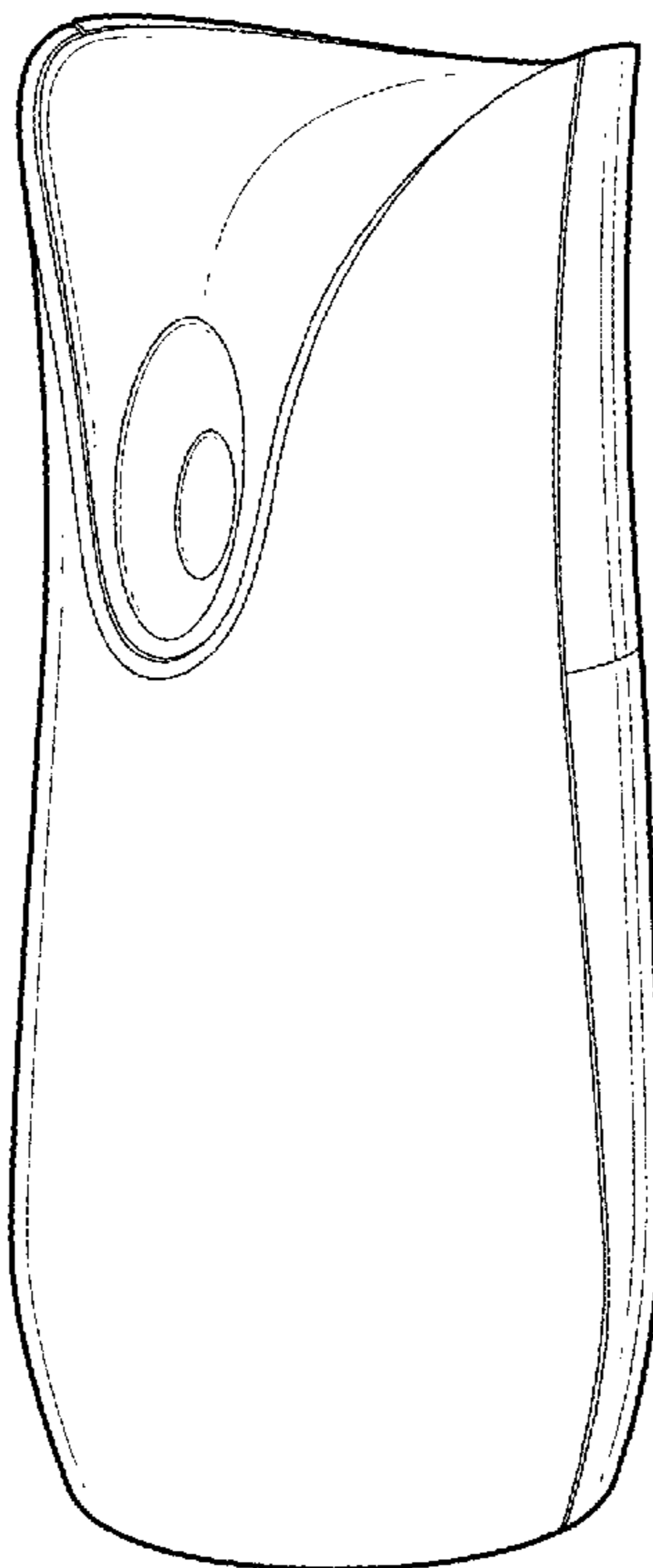
(57) **CLAIM**

The ornamental design for an air freshener, as shown and described.

DESCRIPTION

FIG. 1 is a front and side perspective view of our air freshener;
FIG. 2 is a front elevational view thereof;
FIG. 3 is a rear elevational view thereof;
FIG. 4 is a left side elevational view thereof;
FIG. 5 is a right side elevational view thereof;
FIG. 6 is a top plan view thereof; and,
FIG. 7 is a bottom plan view thereof.

1 Claim, 3 Drawing Sheets



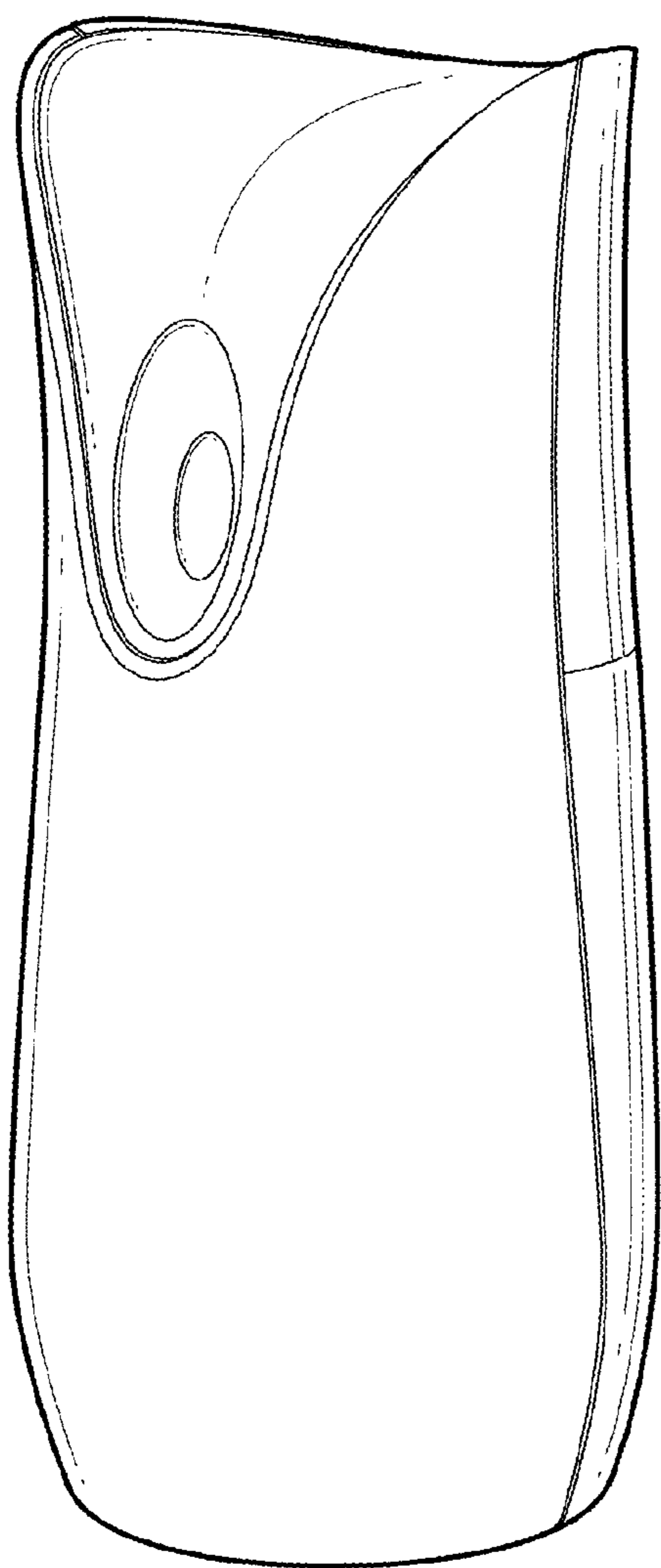


Fig. 1

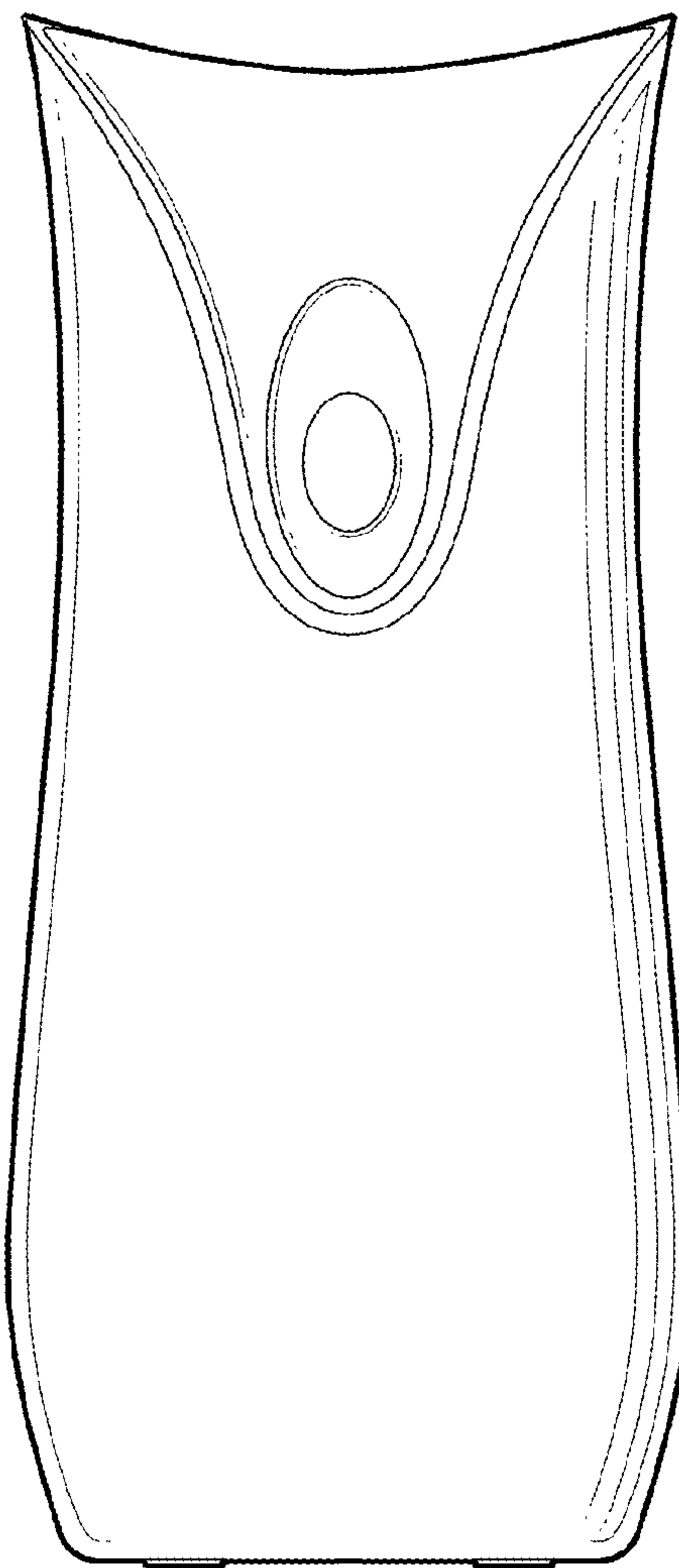


Fig. 2

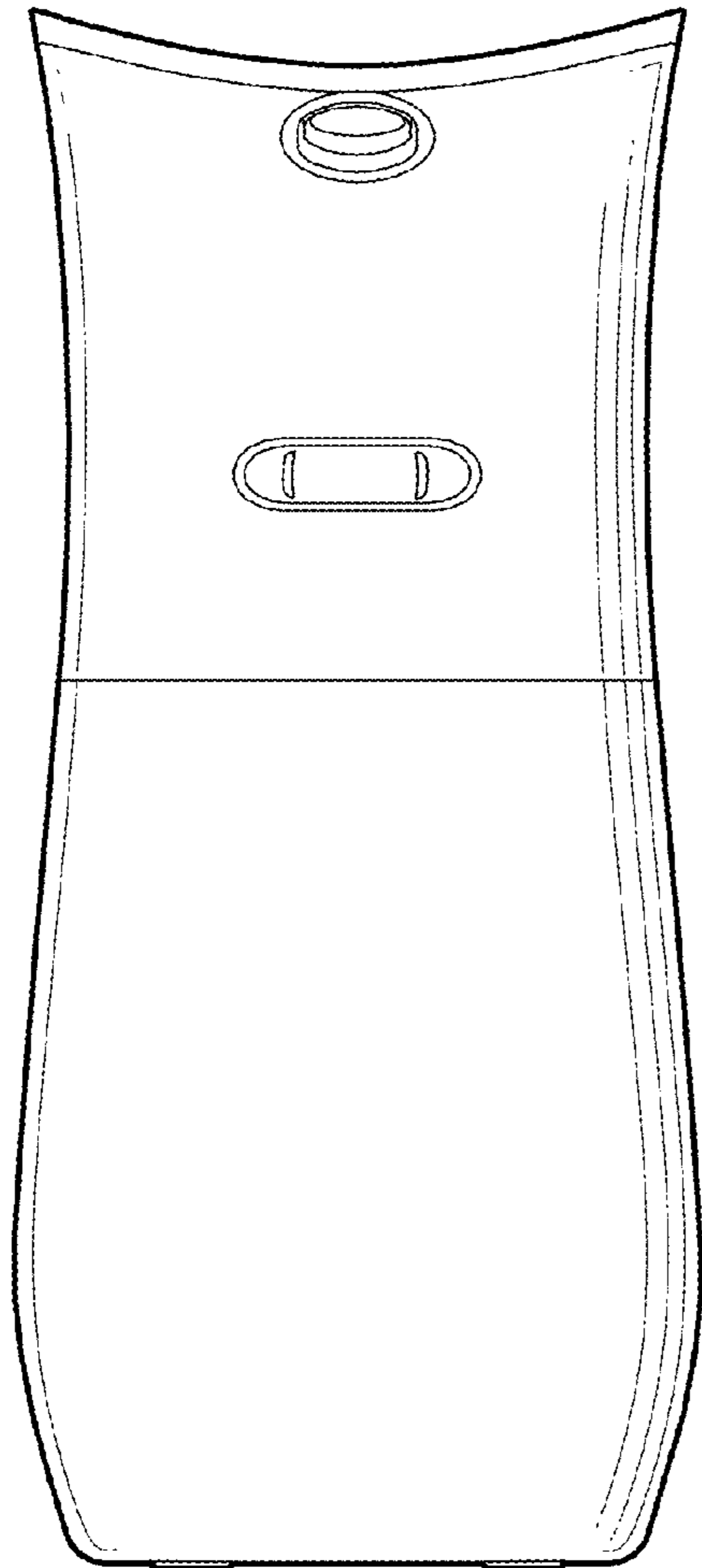


Fig. 3

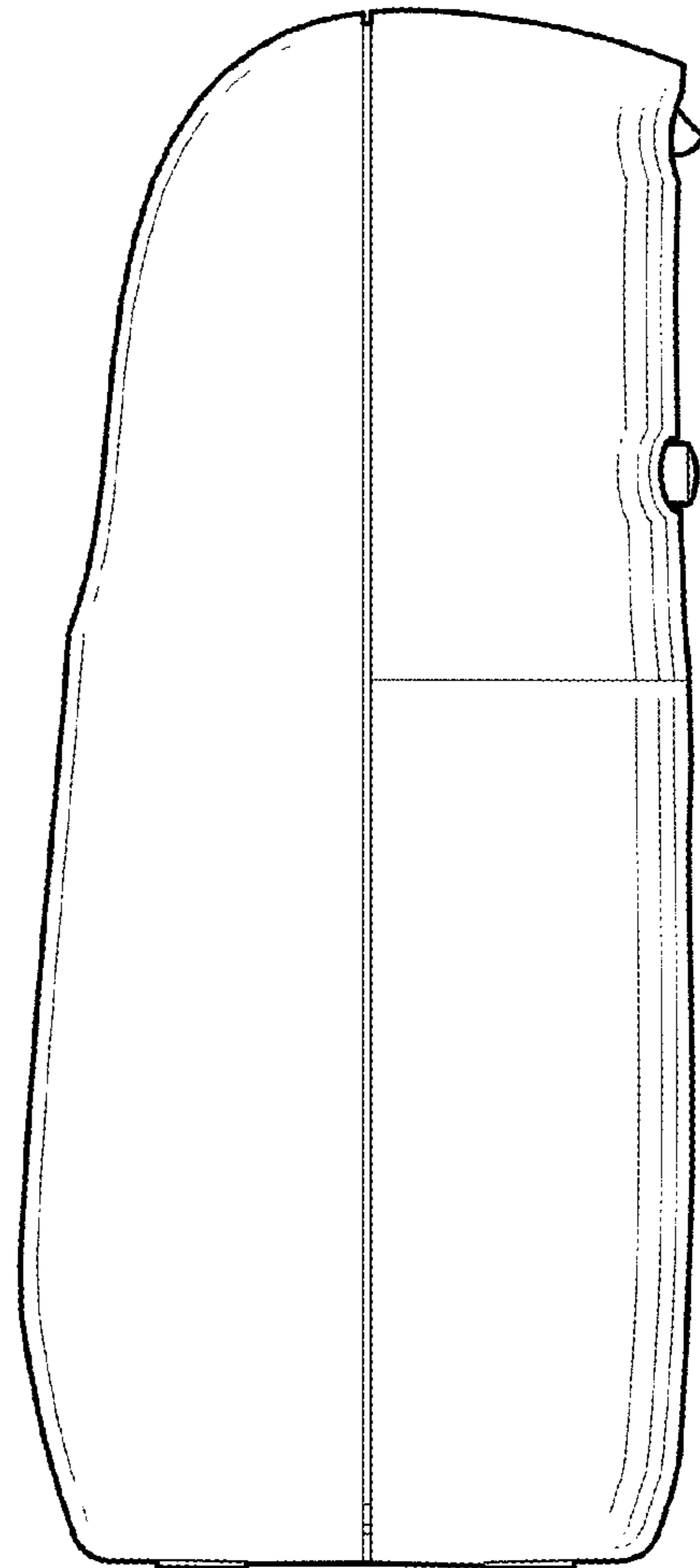


Fig. 4

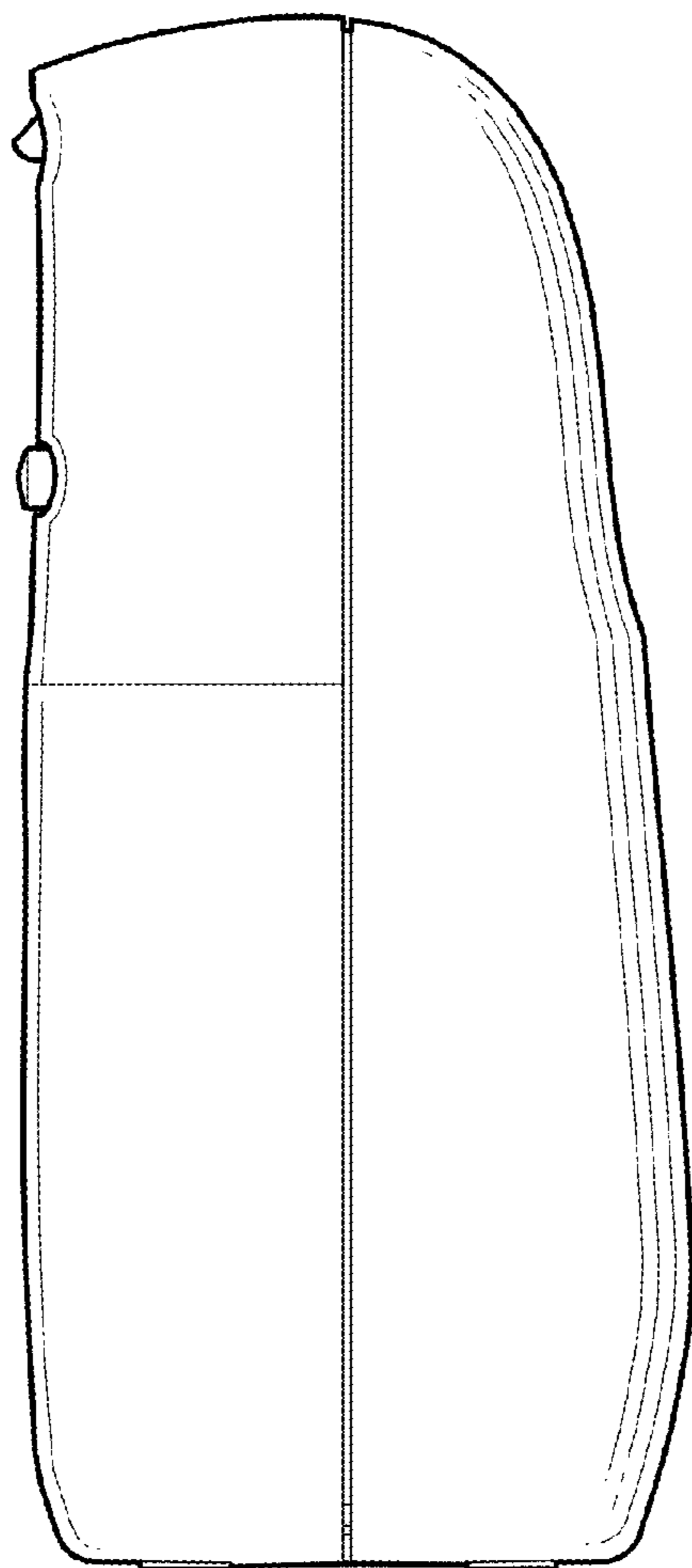


Fig. 5

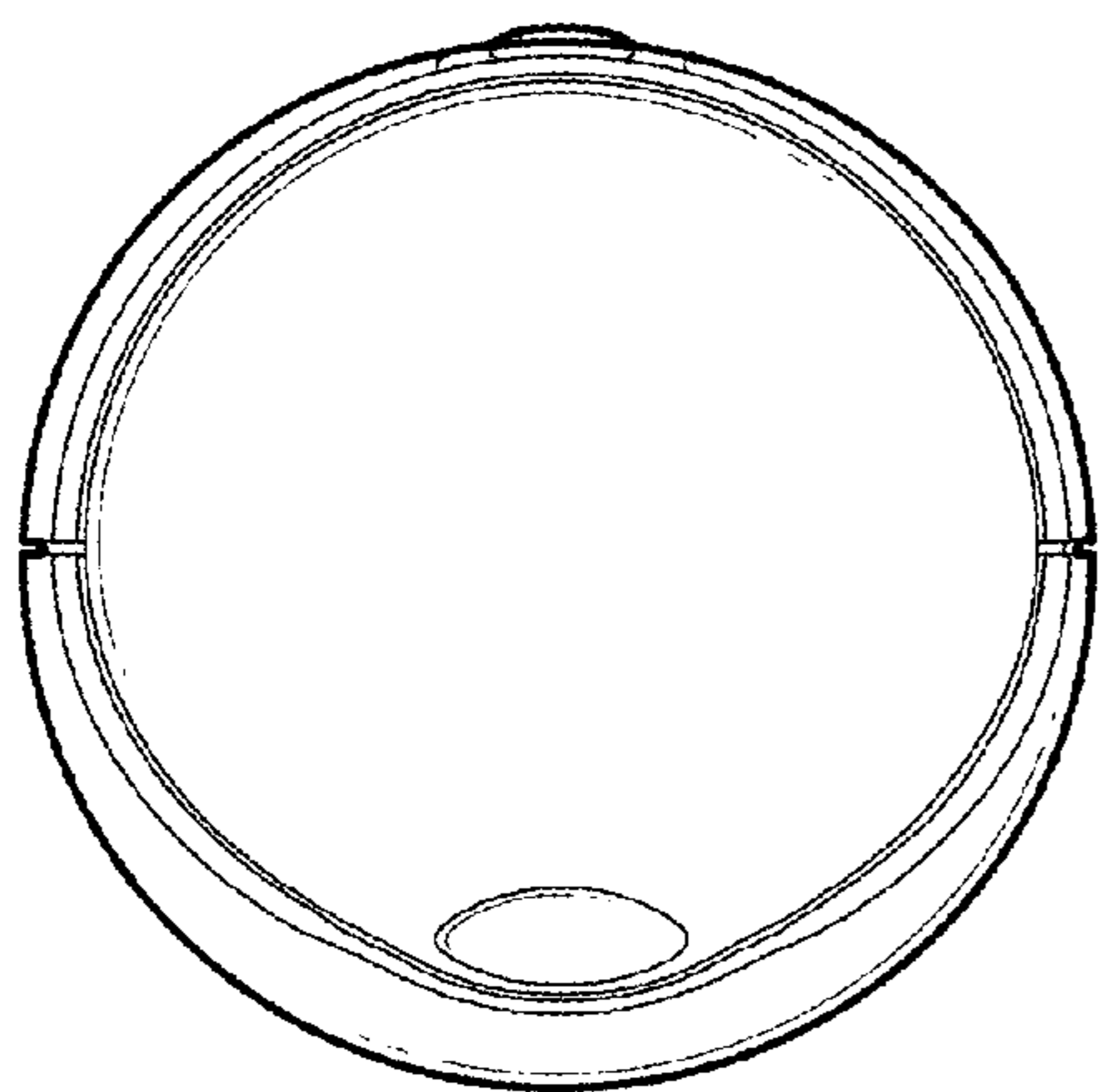


Fig. 6

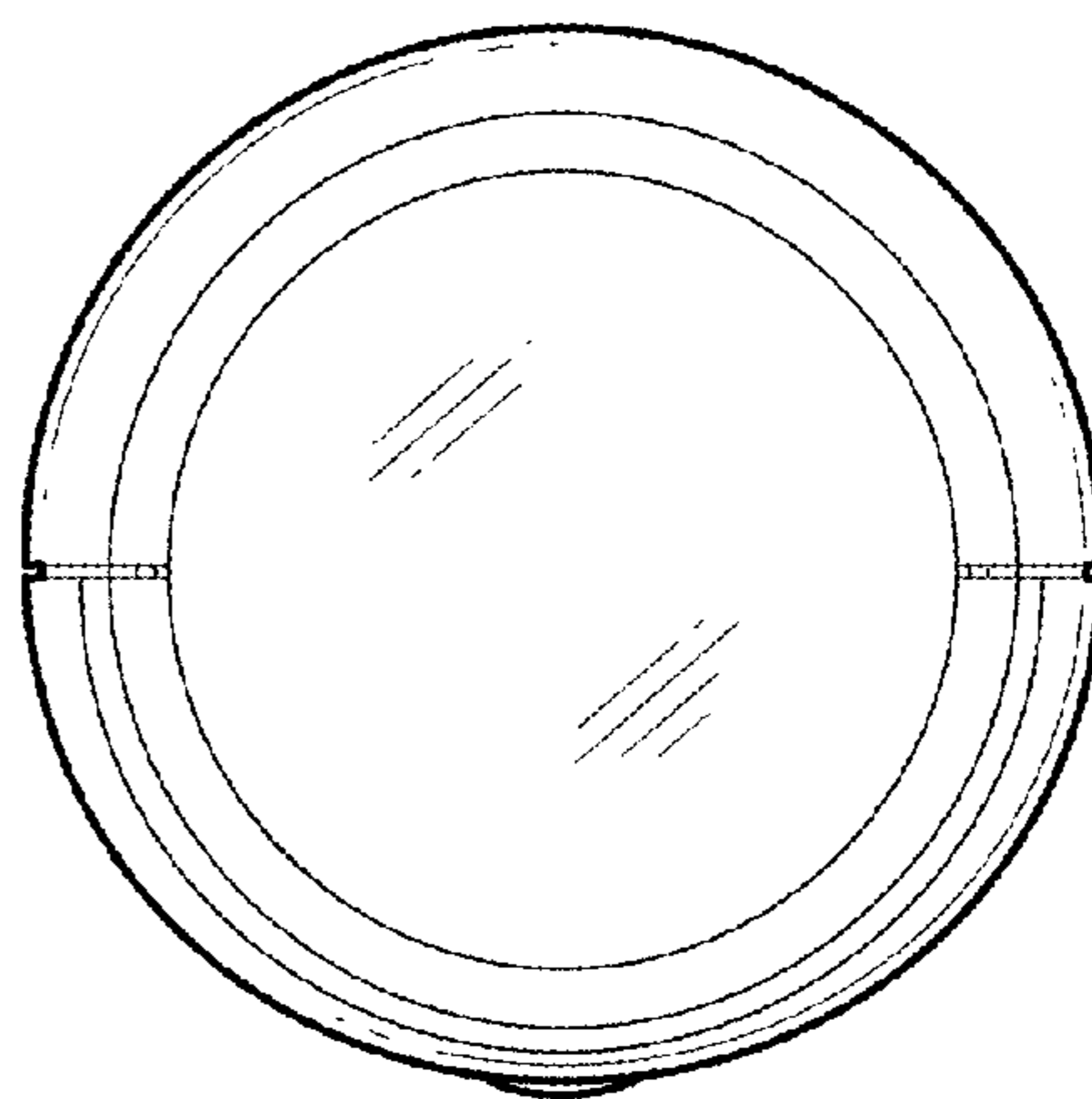


Fig. 7