



US00D680636S

(12) **United States Design Patent**  
**Ching**

(10) **Patent No.:** **US D680,636 S**

(45) **Date of Patent:** **\*\* Apr. 23, 2013**

(54) **ELECTRONIC HUMIDIFIER AND HEATER**

(75) Inventor: **Chan Ching**, New Taipei (TW)

(73) Assignee: **Perfect Union Co., Ltd.**, New Taipei (TW)

(\*\*) Term: **14 Years**

(21) Appl. No.: **29/416,527**

(22) Filed: **Mar. 23, 2012**

(51) **LOC (9) Cl.** ..... **23-04**

(52) **U.S. Cl.**  
USPC ..... **D23/356**

(58) **Field of Classification Search** ..... D23/355-366,  
D23/317, 352, 369, 332, 333, 335, 336, 342,  
D23/351; 422/120, 122; 55/356, 473, 504;  
96/97; D14/188, 170, 172; 261/DIG. 17,  
261/DIG. 65, DIG. 88, DIG. 31; D18/34.6  
See application file for complete search history.

(56) **References Cited**

U.S. PATENT DOCUMENTS

D373,414 S *	9/1996	Bucher et al.	.....	D23/335
D518,160 S *	3/2006	Normark	.....	D23/366
D548,315 S *	8/2007	Lin	.....	D23/364
D567,346 S *	4/2008	Lin	.....	D23/317
D570,464 S *	6/2008	Normark	.....	D23/364
D600,336 S *	9/2009	Lin	.....	D23/317

D615,179 S *	5/2010	Borgi	.....	D23/355
D622,834 S *	8/2010	Jiang	.....	D23/317
D643,915 S *	8/2011	Endo et al.	.....	D23/364
D651,300 S *	12/2011	Xu et al.	.....	D23/342
D654,158 S *	2/2012	Chen et al.	.....	D23/317
D654,159 S *	2/2012	Chen et al.	.....	D23/317
D657,037 S *	4/2012	Lo	.....	D23/364

\* cited by examiner

*Primary Examiner* — David Muller

(74) *Attorney, Agent, or Firm* — Jackson IPG PLLC

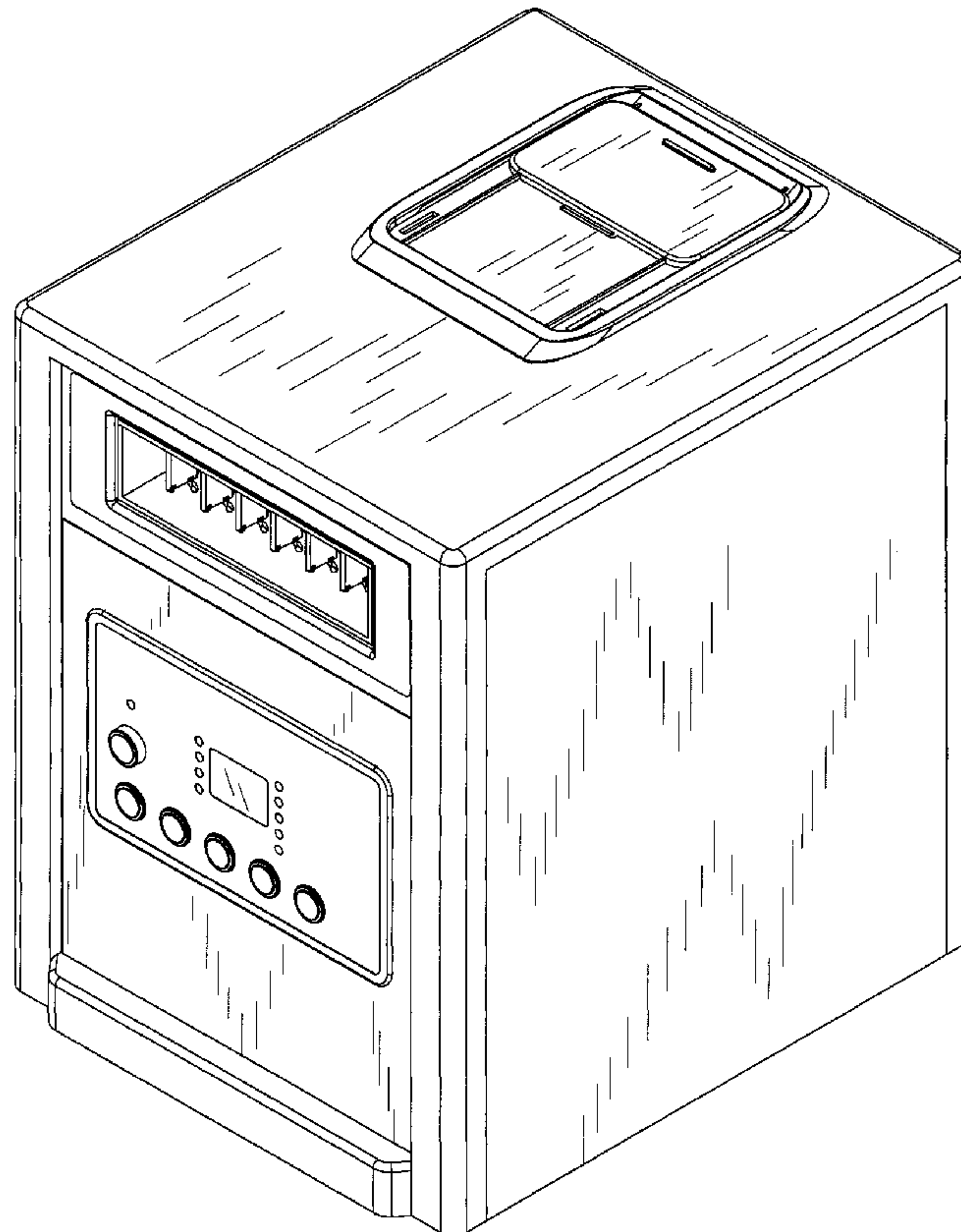
(57) **CLAIM**

The ornamental design for an electronic humidifier and heater, as shown and described.

**DESCRIPTION**

FIG. 1 is a top front and left side perspective view of electronic humidifier and heater showing my new design;  
FIG. 2 is a front elevational view thereof;  
FIG. 3 is a rear elevational view thereof;  
FIG. 4 is a left side elevational view thereof;  
FIG. 5 is a right side elevational view thereof;  
FIG. 6 is a top plan view thereof; and,  
FIG. 7 is a bottom plan view thereof.  
The broken line showing of parts of the drawings is included for the purpose of illustrating use and environment and forms no part of the claimed design.

**1 Claim, 7 Drawing Sheets**



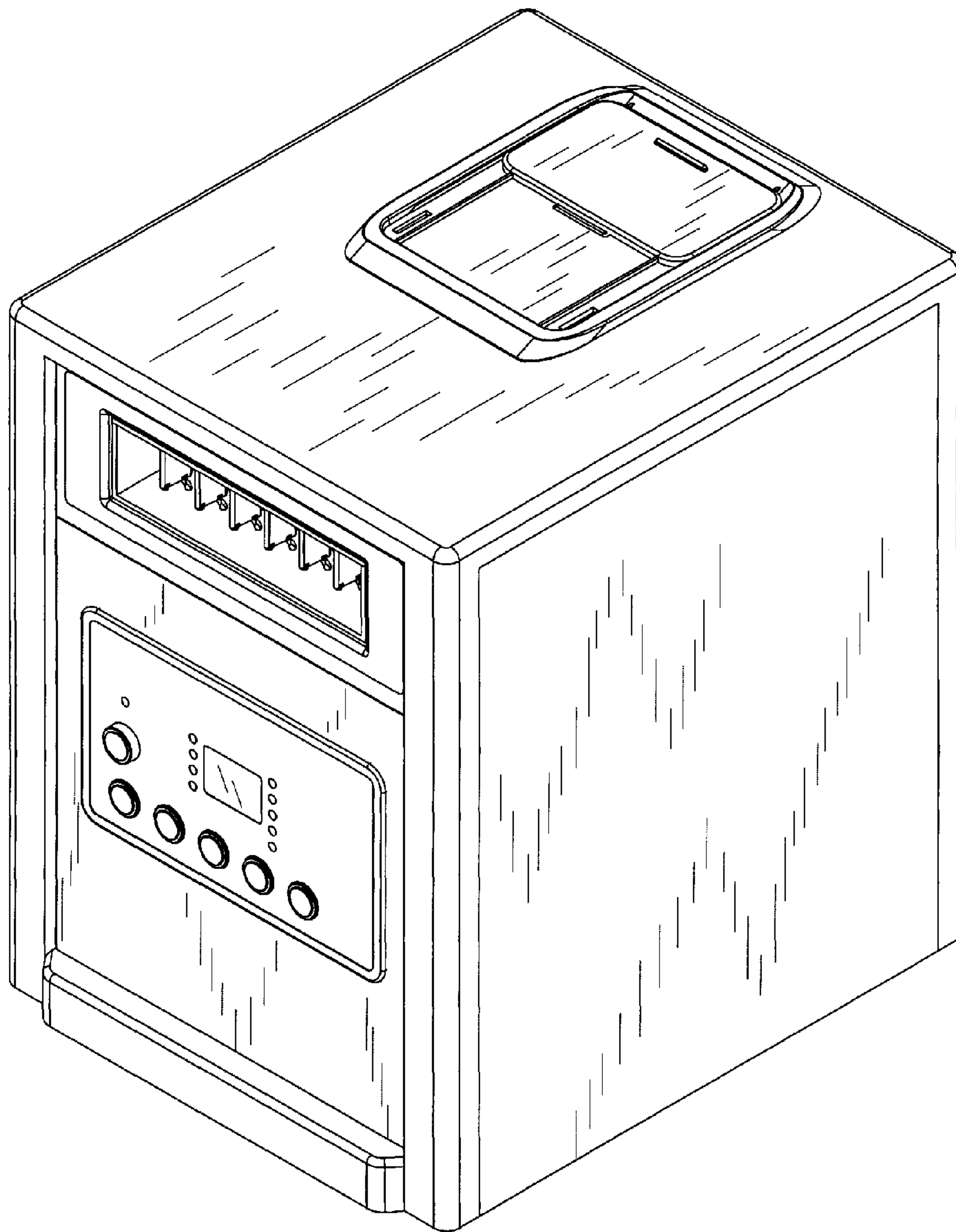


Fig.1

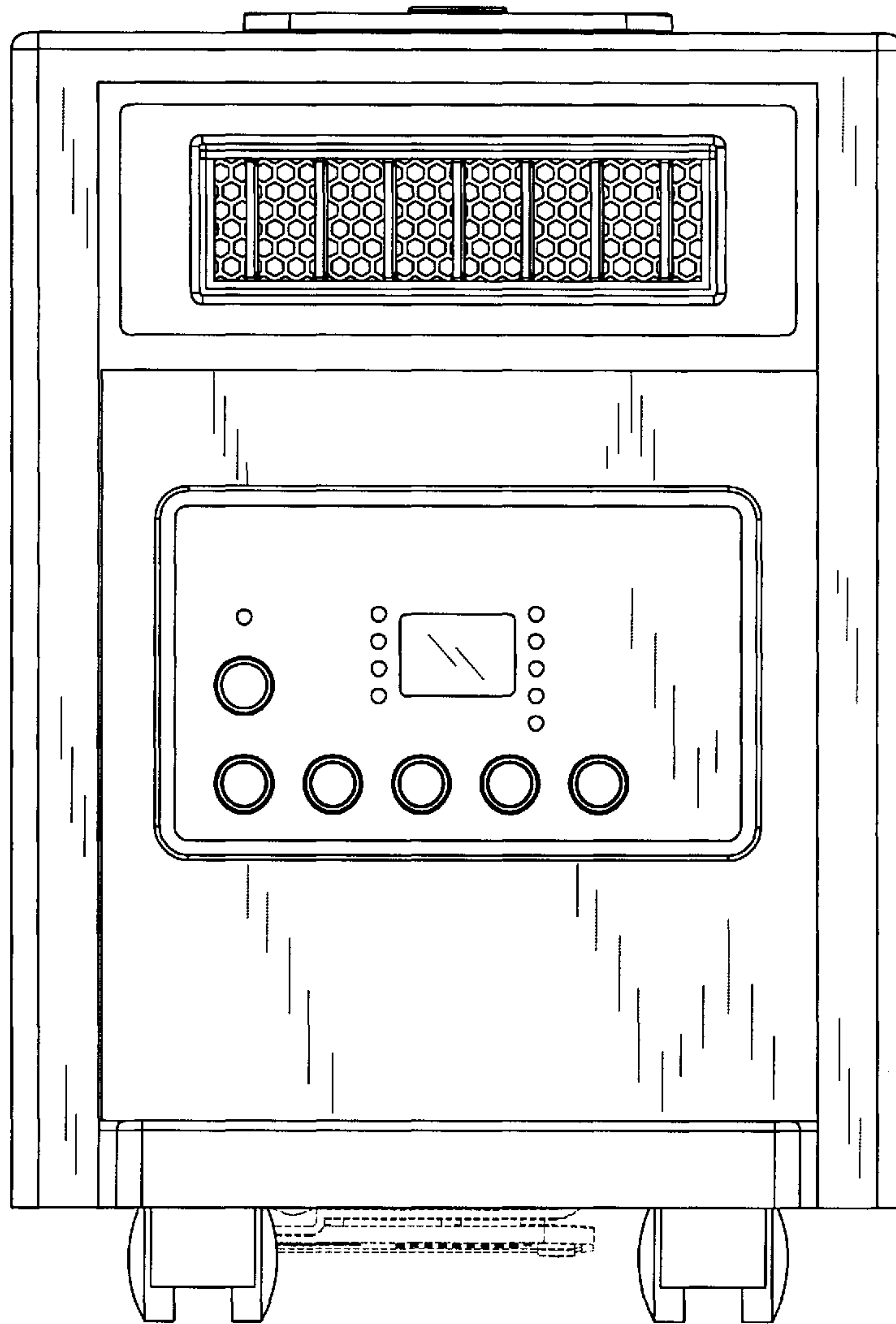


Fig.2

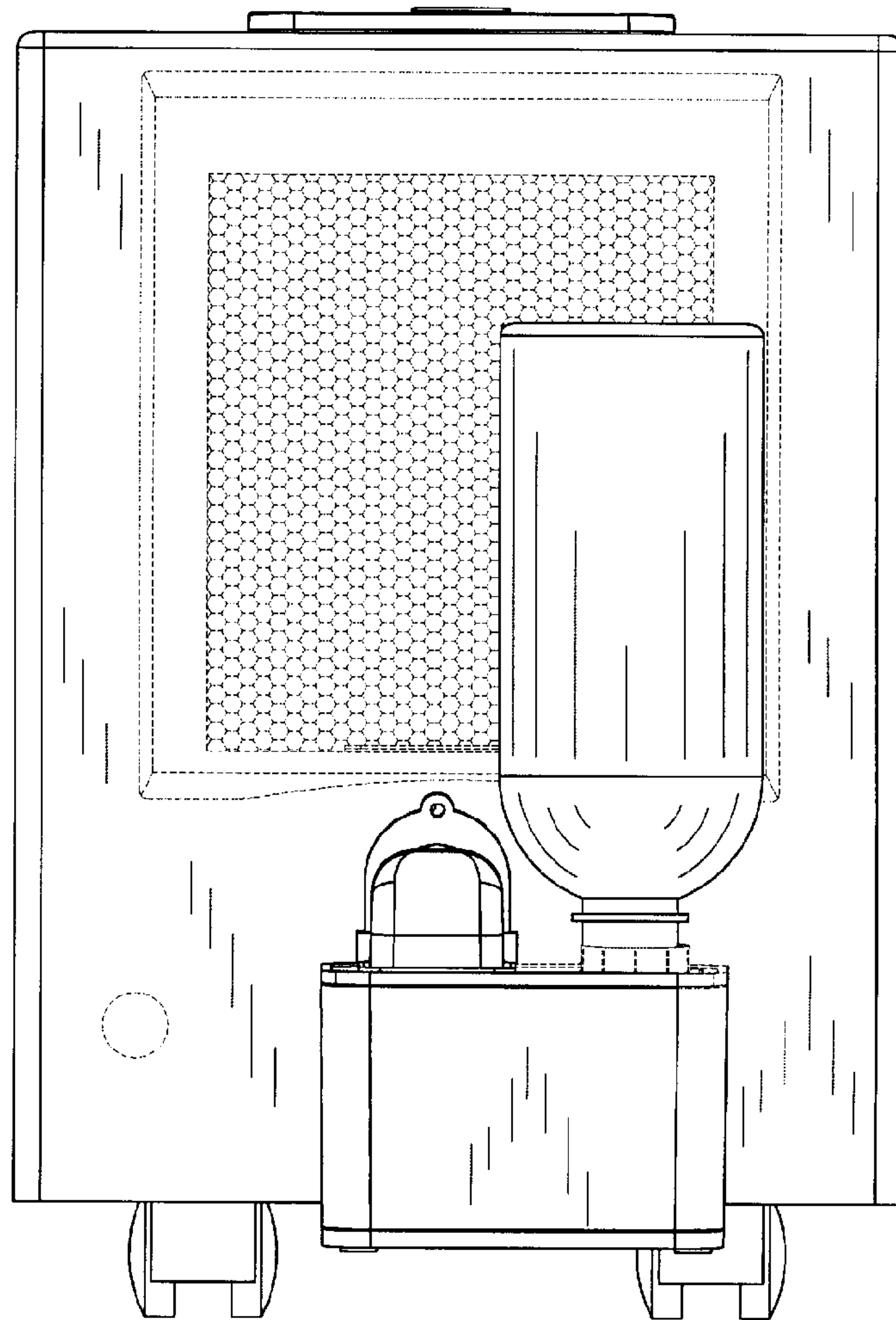


Fig.3

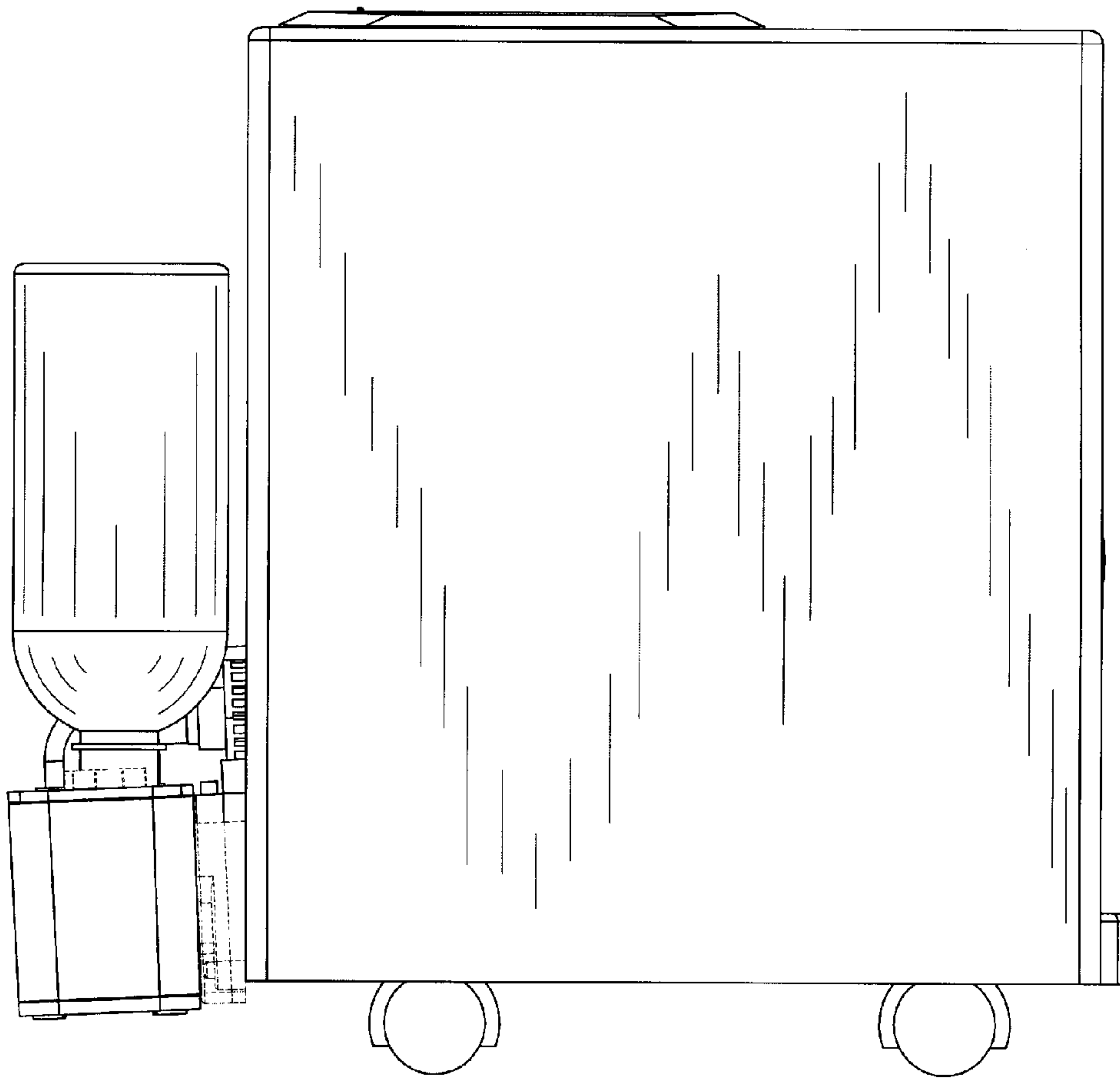


Fig.4

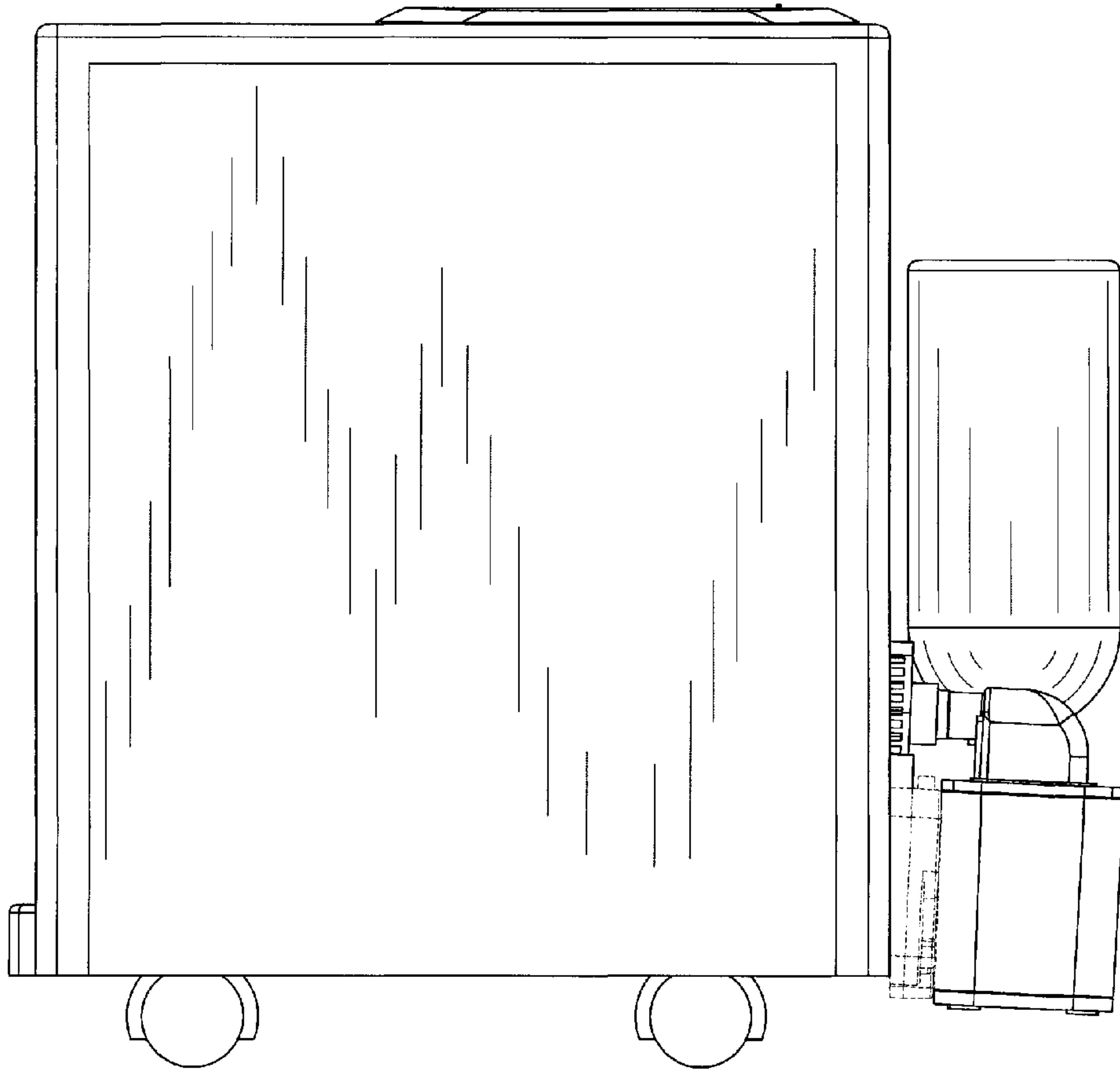


Fig.5



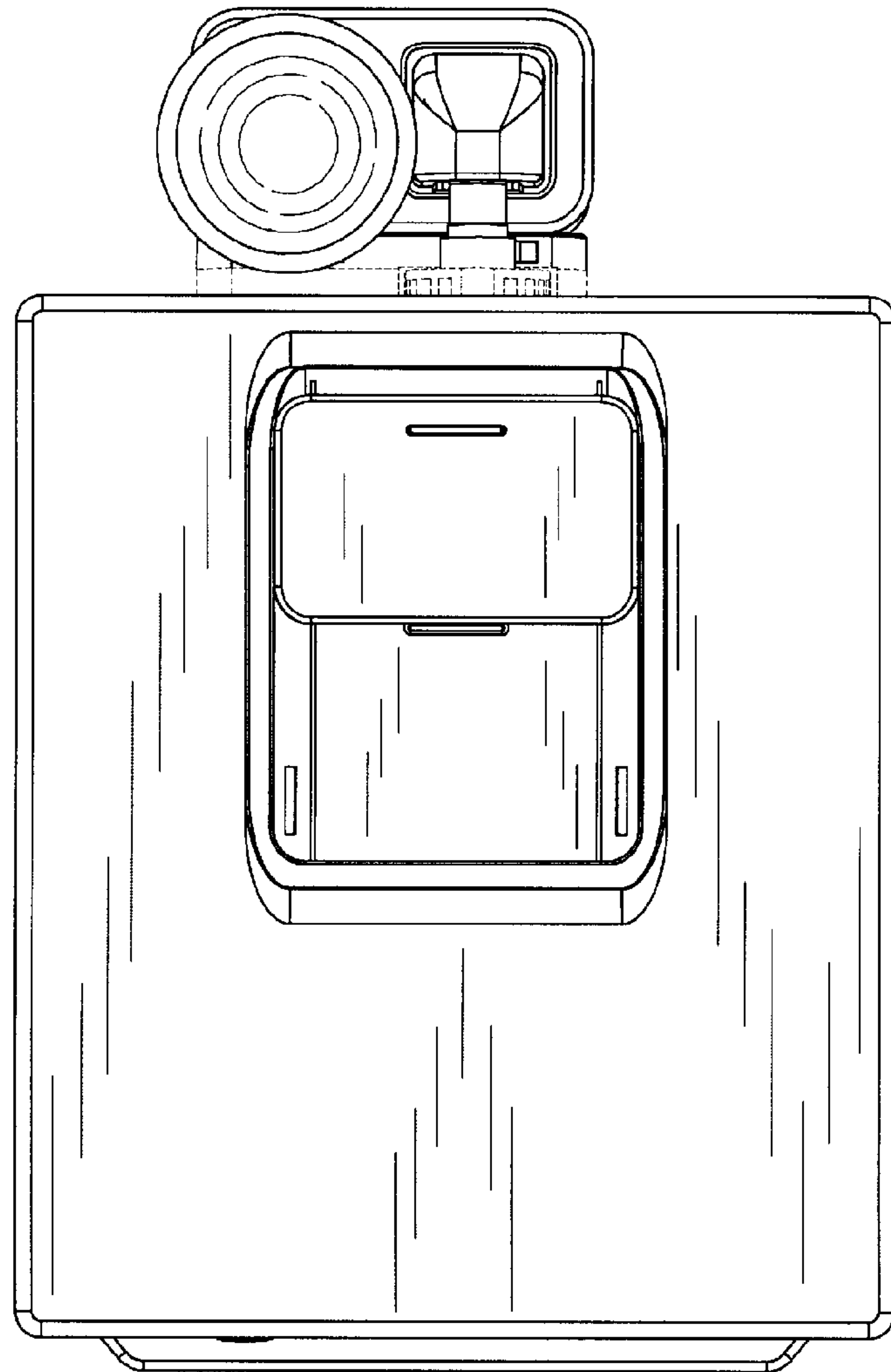


Fig.6

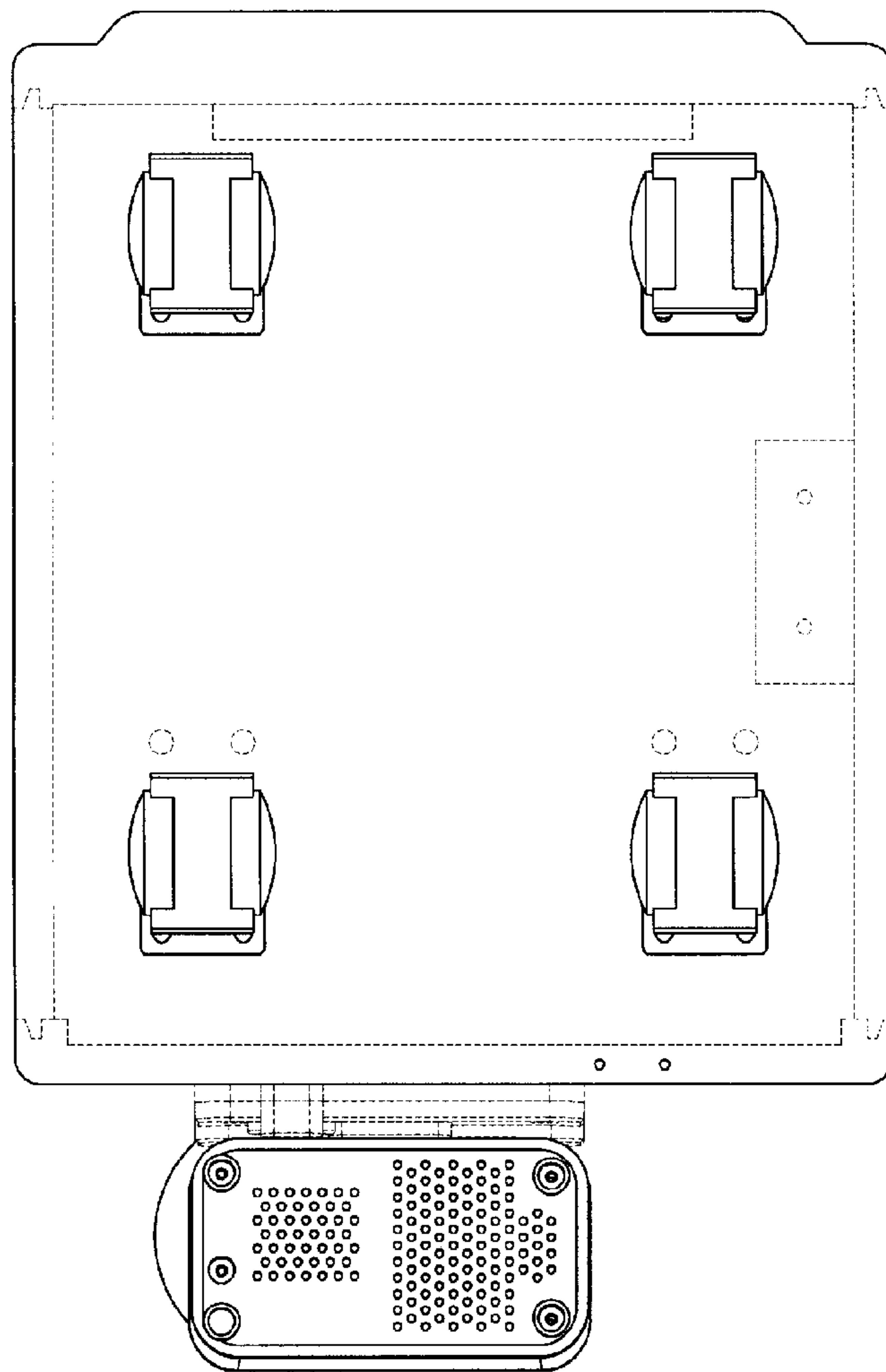


Fig.7