



US00D680635S

(12) **United States Design Patent**
Kashimoto et al.

(10) **Patent No.:** **US D680,635 S**
(45) **Date of Patent:** **** Apr. 23, 2013**

(54) **AIR CONDITIONER**

(75) Inventors: **Hiroko Kashimoto**, Kusatsu (JP);
Kaichi Tsuji, Kusatsu (JP)

(73) Assignee: **Daikin Industries Ltd.**, Osaka-Shi (JP)

(**) Term: **14 Years**

(21) Appl. No.: **29/395,900**

(22) Filed: **Apr. 19, 2012**

(30) **Foreign Application Priority Data**

Dec. 8, 2011 (JP) 2011-028543

(51) **LOC (9) Cl.** **23-04**

(52) **U.S. Cl.**
USPC **D23/351**

(58) **Field of Classification Search** D23/351-354,
D23/385, 355, 357, 361; 312/236; 62/259.1,
62/259.4, 262-263, 304; 454/330-331, 349-350

See application file for complete search history.

(56) **References Cited**

U.S. PATENT DOCUMENTS

D469,173 S *	1/2003	Kawanori et al.	D23/351
D565,712 S *	4/2008	Nagahori et al.	D23/351
D591,410 S *	4/2009	Kashimoto	D23/351
D621,492 S *	8/2010	Tanaka et al.	D23/351
D627,043 S *	11/2010	Tanaka et al.	D23/351

* cited by examiner

Primary Examiner — Brian N Vinson

(74) *Attorney, Agent, or Firm* — Manabu Kanesaka

(57) **CLAIM**

The ornamental design for an air conditioner, as shown and described.

DESCRIPTION

FIG. 1 is a perspective view of an air conditioner showing our new design;

FIG. 2 is a front view thereof;

FIG. 3 is a rear view thereof;

FIG. 4 is a plan view thereof;

FIG. 5 is a bottom view thereof;

FIG. 6 is a left side view thereof; and,

FIG. 7 is a right side view thereof.

1 Claim, 5 Drawing Sheets

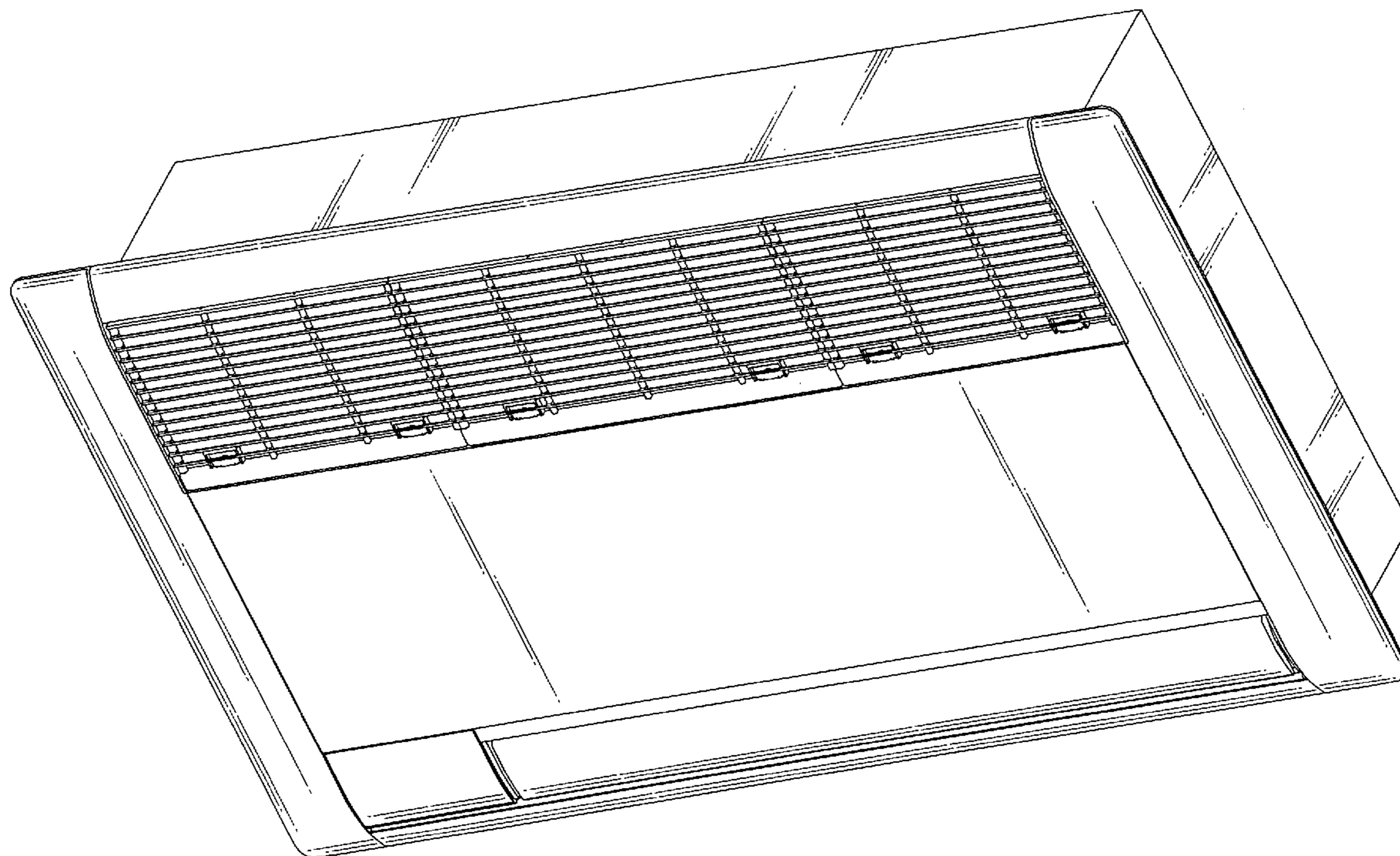


Fig. 1

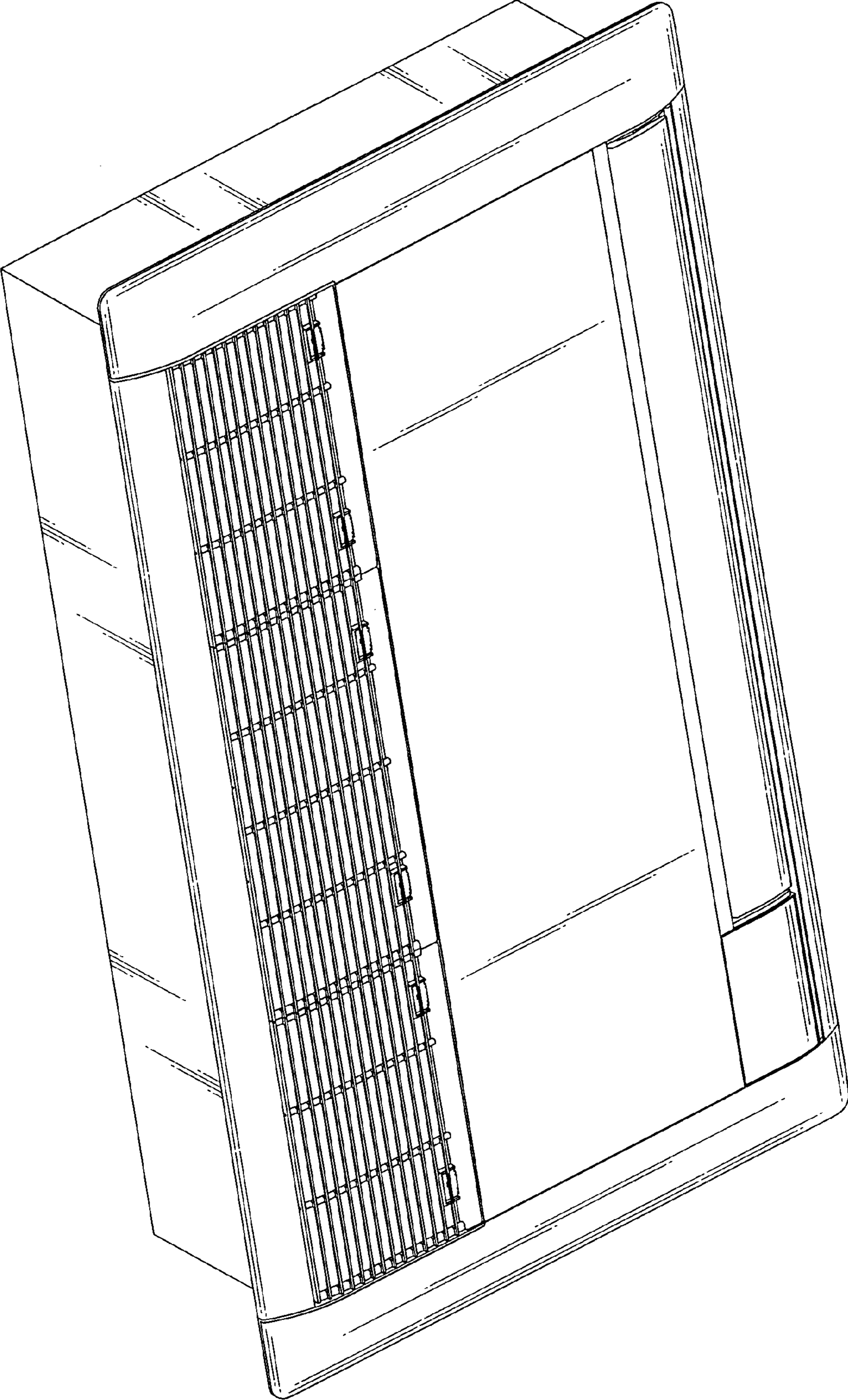


Fig. 2

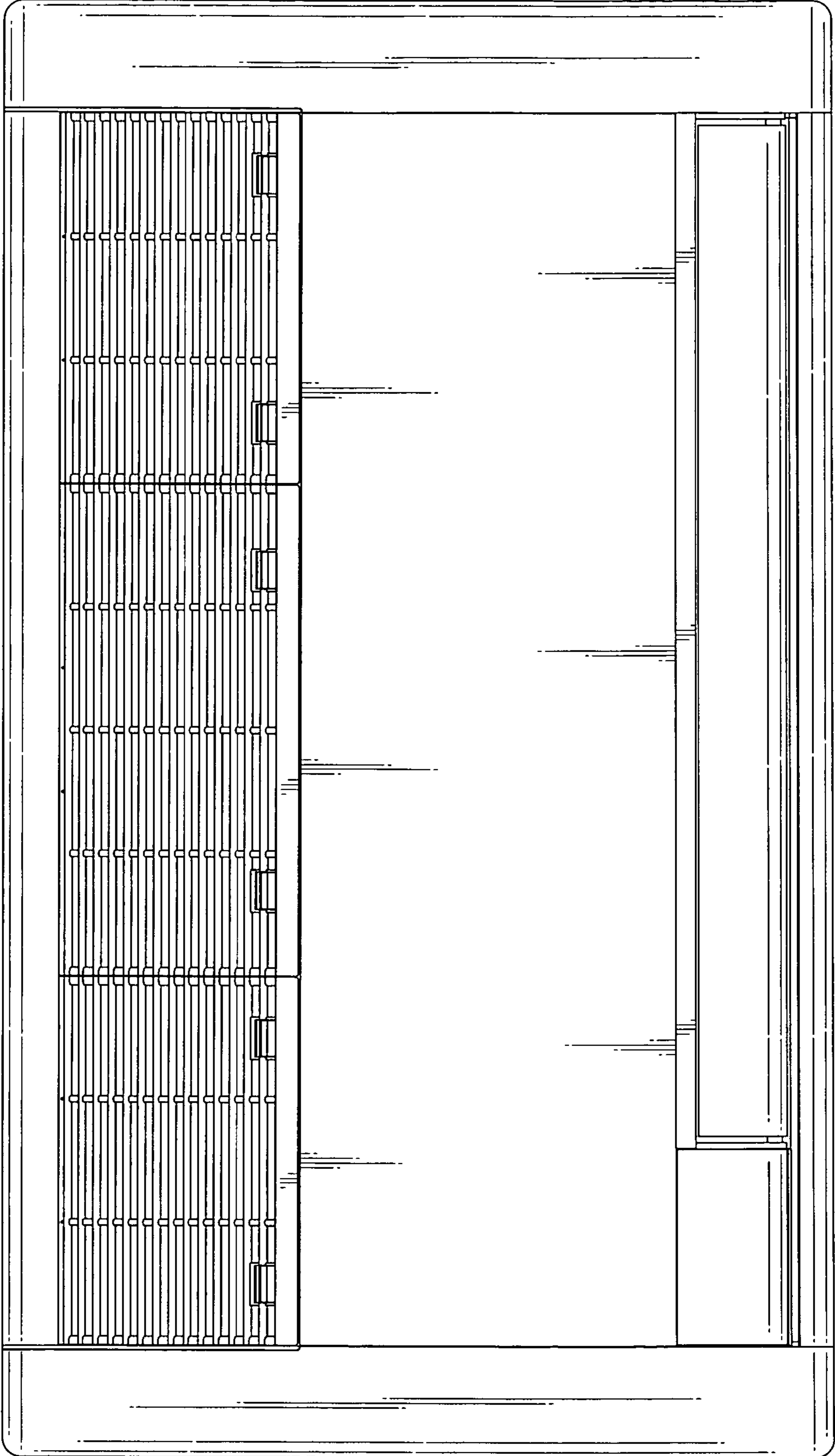


Fig. 3

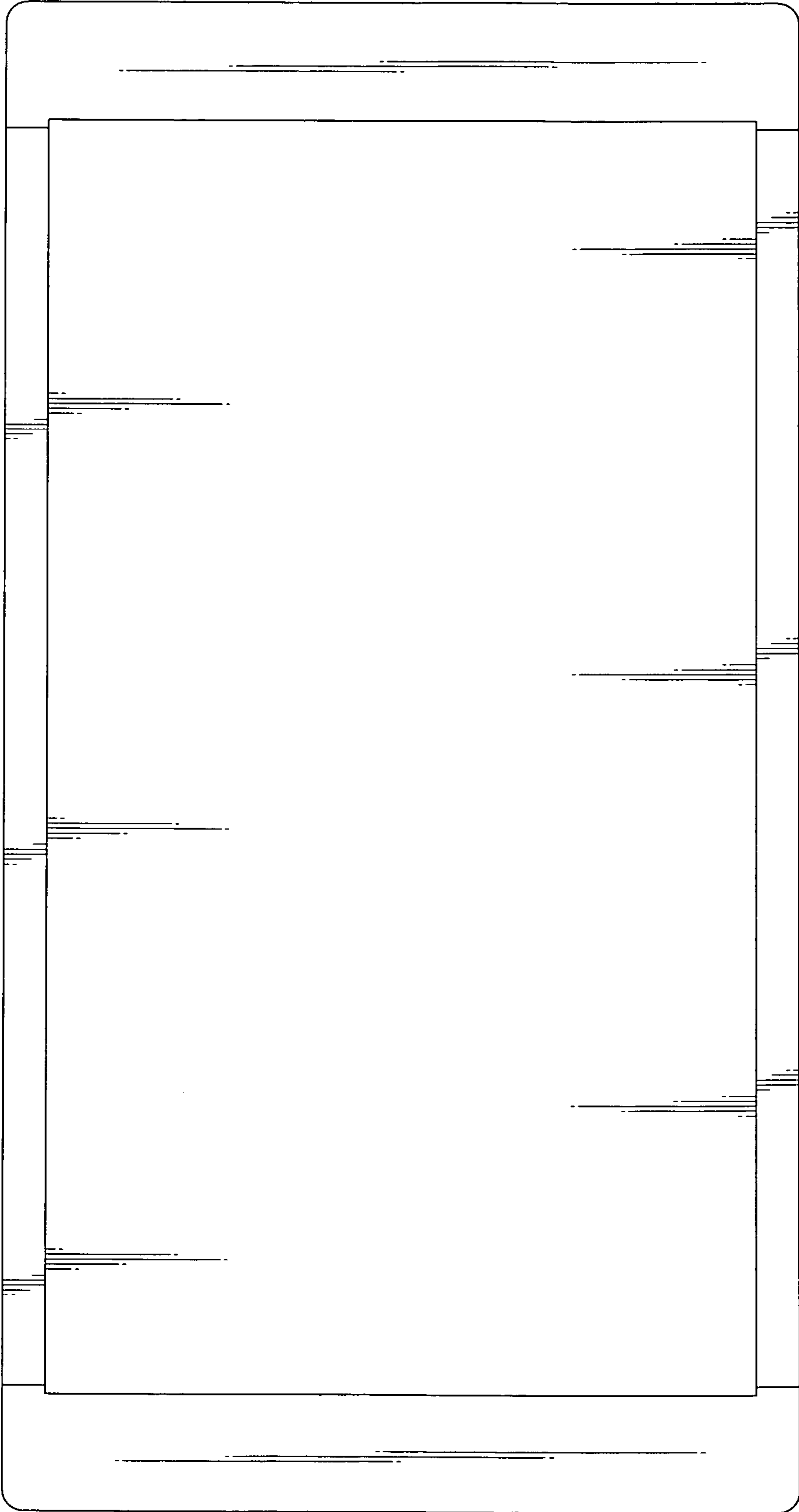


Fig. 4

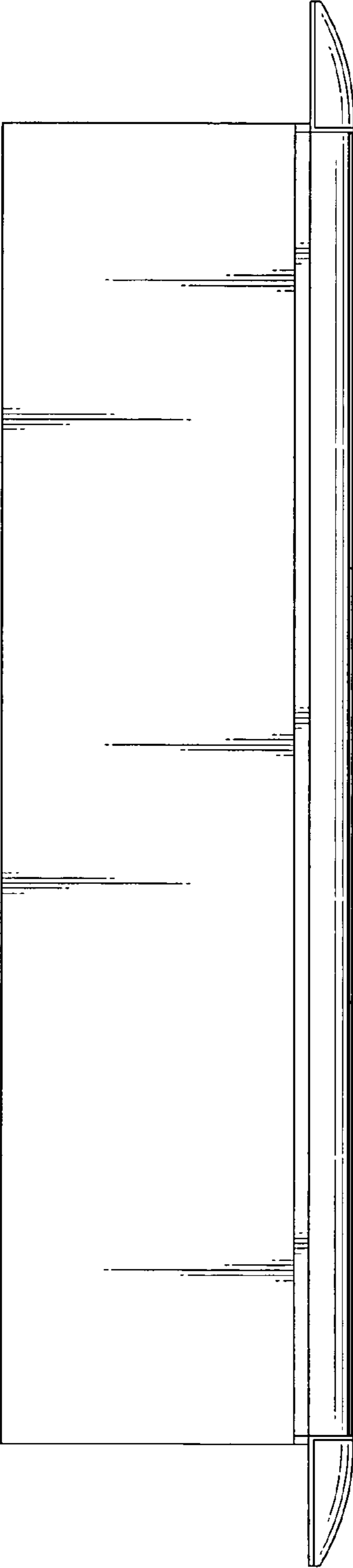


Fig. 5

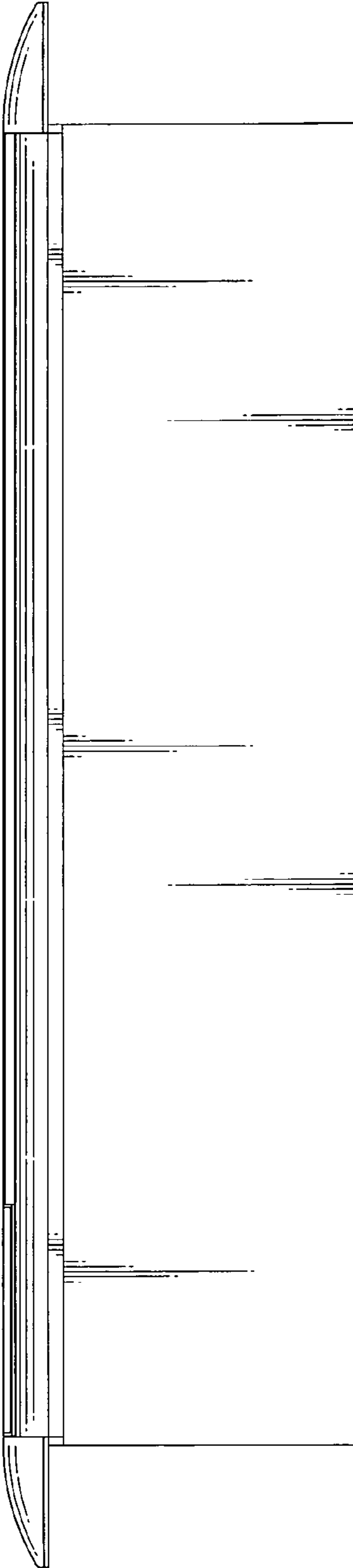


Fig. 7

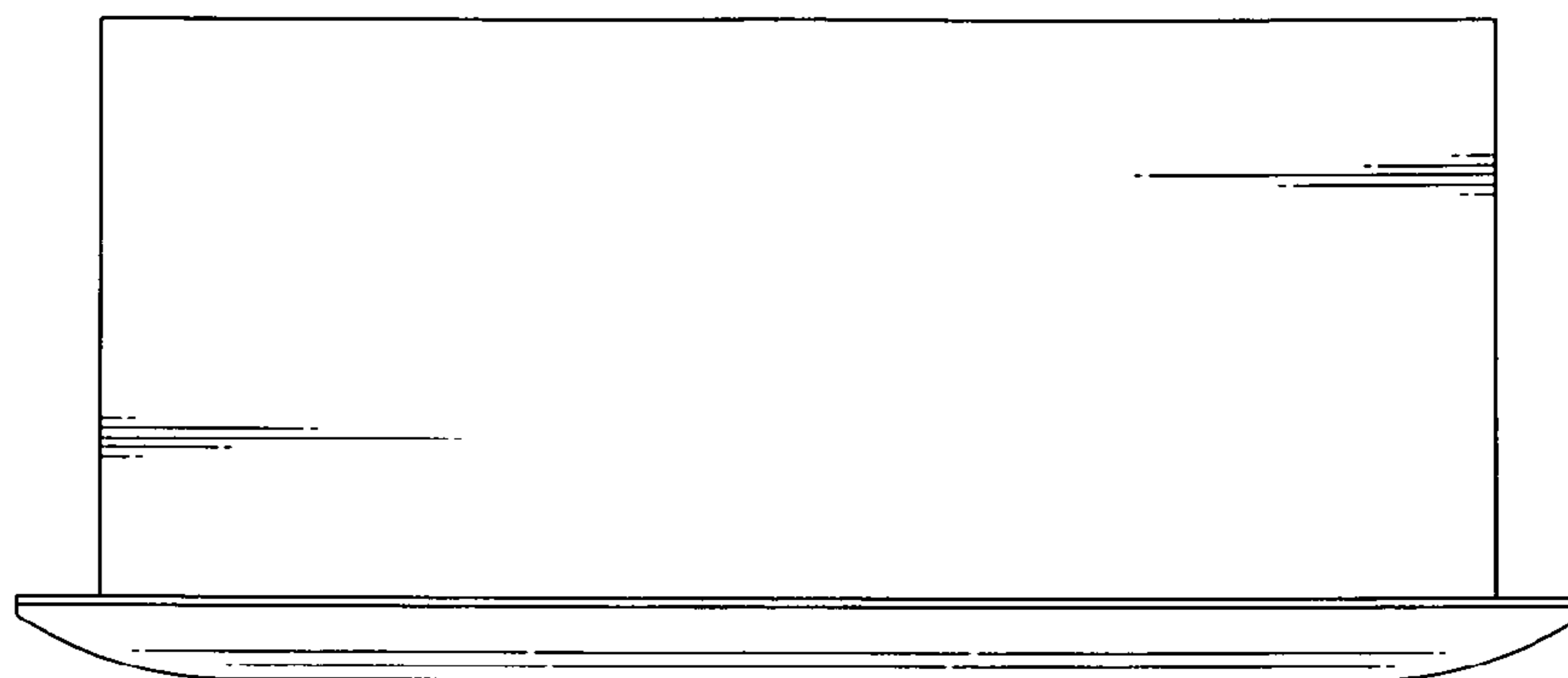


Fig. 6

