



US00D680633S

(12) **United States Design Patent**  
**Santiago**

(10) **Patent No.:** **US D680,633 S**

(45) **Date of Patent:** **\*\* Apr. 23, 2013**

(54) **PLUMBING PIPE PROTECTIVE COVER**

6,739,353 B2 5/2004 Lechuga  
7,100,633 B2 9/2006 Lechuga  
D610,661 S \* 2/2010 Kergoet ..... D23/308

(76) Inventor: **Miguel C. Santiago**, New Haven, CT  
(US)

\* cited by examiner

(\*\*) Term: **14 Years**

*Primary Examiner* — Robert Delehanty

(21) Appl. No.: **29/401,172**

(57) **CLAIM**

The ornamental design for a plumbing pipe protective cover, as shown and described.

(22) Filed: **Sep. 8, 2011**

**DESCRIPTION**

(51) **LOC (9) Cl.** ..... **23-02**

(52) **U.S. Cl.**  
USPC ..... **D23/308**

(58) **Field of Classification Search** ..... D23/308;  
4/619, 660-661

See application file for complete search history.

FIG. 1 is a perspective view of an in-use plumbing pipe protective cover showing my new design;  
FIG. 2 is a side view (opposite side view is mirror image) thereof;  
FIG. 3 is a front view thereof;  
FIG. 4 is a back view thereof;  
FIG. 5 is a top view thereof; and,  
FIG. 6 is a bottom view thereof.

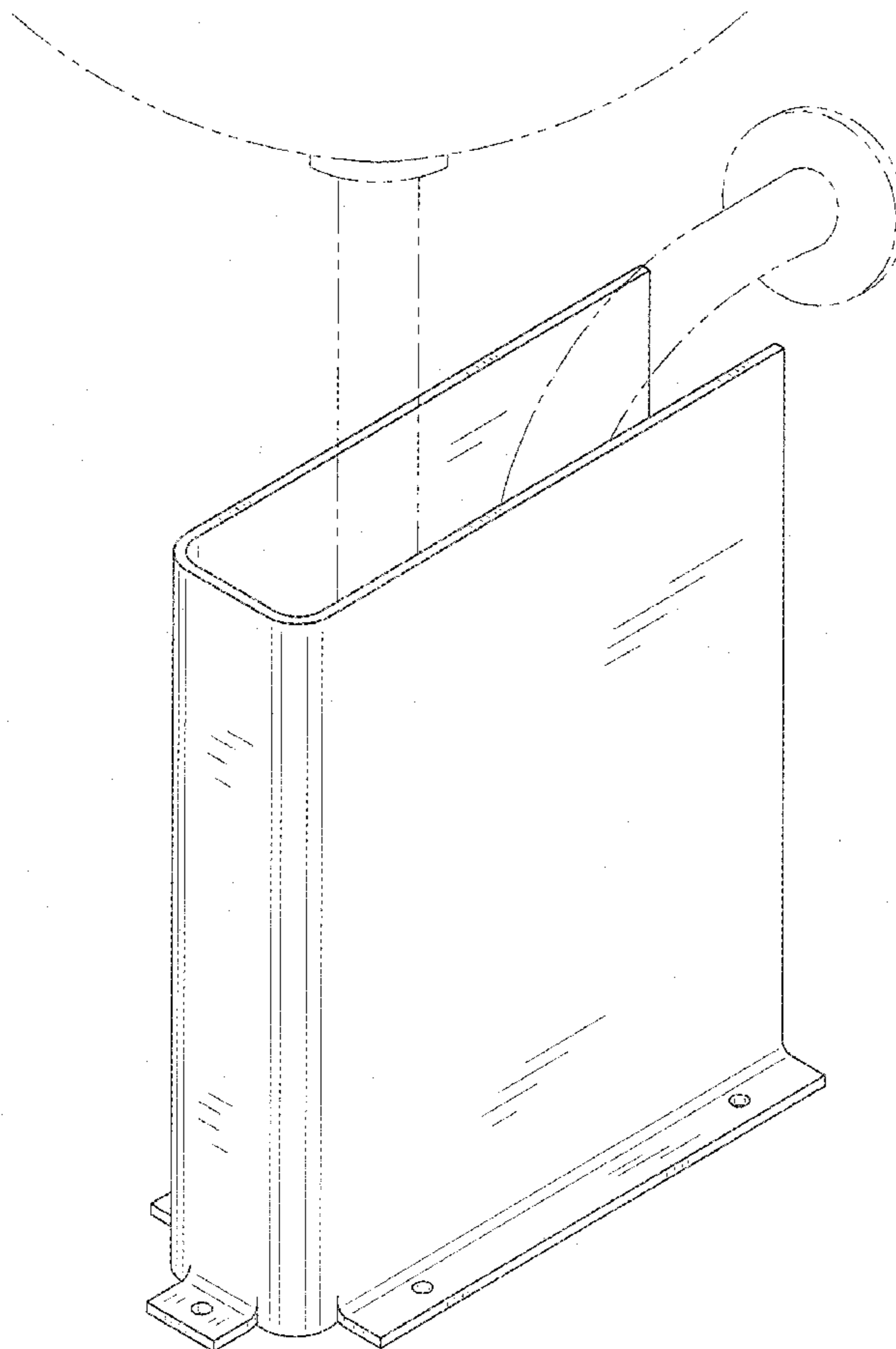
In FIG. 1, the broken lines showing of environmental structure for purposes of illustrating the plumbing pipe protective cover in a condition of use. The broken lines and the structure they depict form no part of the claimed design.

(56) **References Cited**

U.S. PATENT DOCUMENTS

4,553,308	A	11/1985	Botsolas	
D332,654	S *	1/1993	Reid et al.	D23/308
5,363,517	A	11/1994	Botsolas	
D373,412	S *	9/1996	Trueb et al.	D23/308
D390,643	S *	2/1998	Trueb et al.	D23/308
D435,893	S	1/2001	Helmsderfer	

**1 Claim, 4 Drawing Sheets**



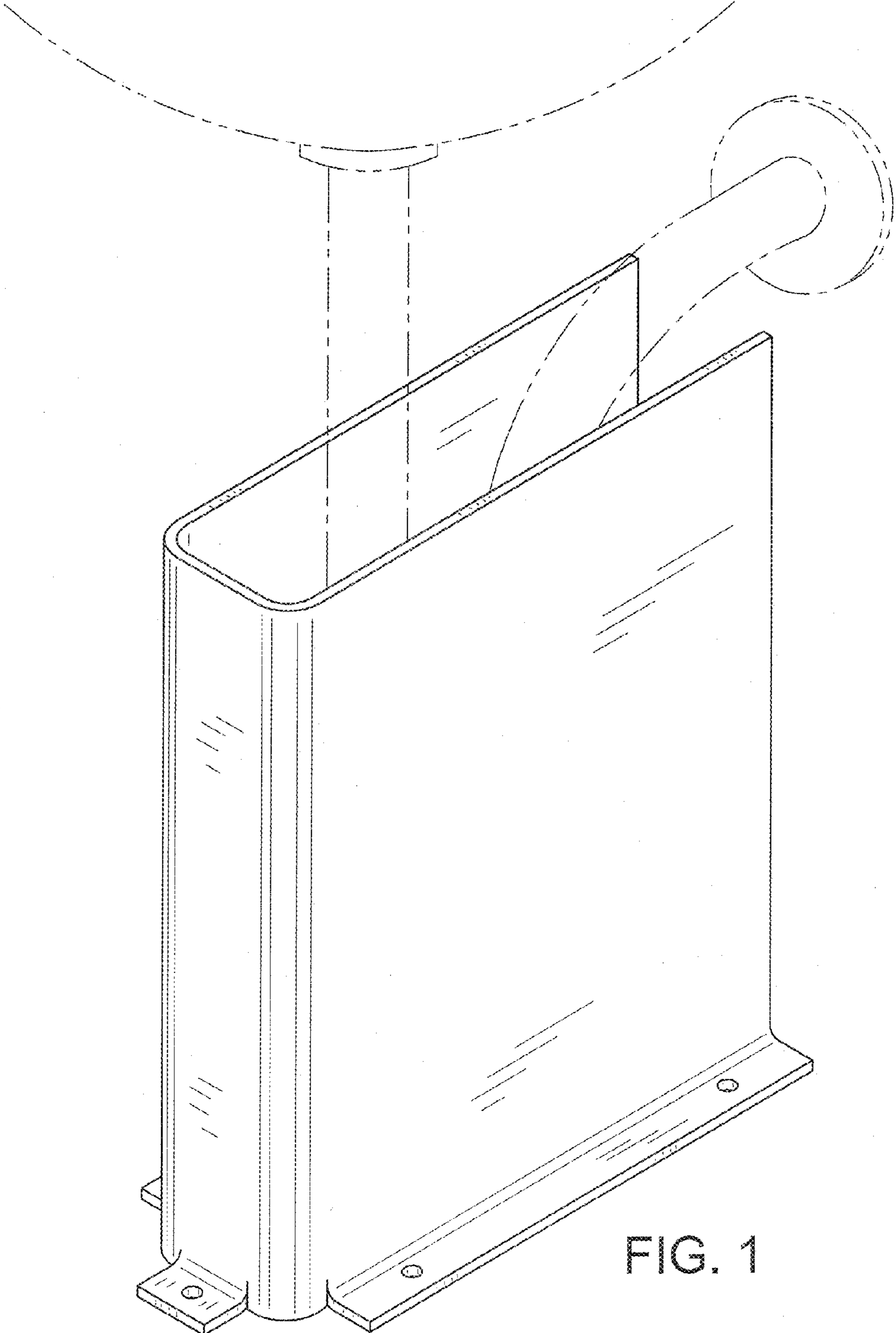


FIG. 1

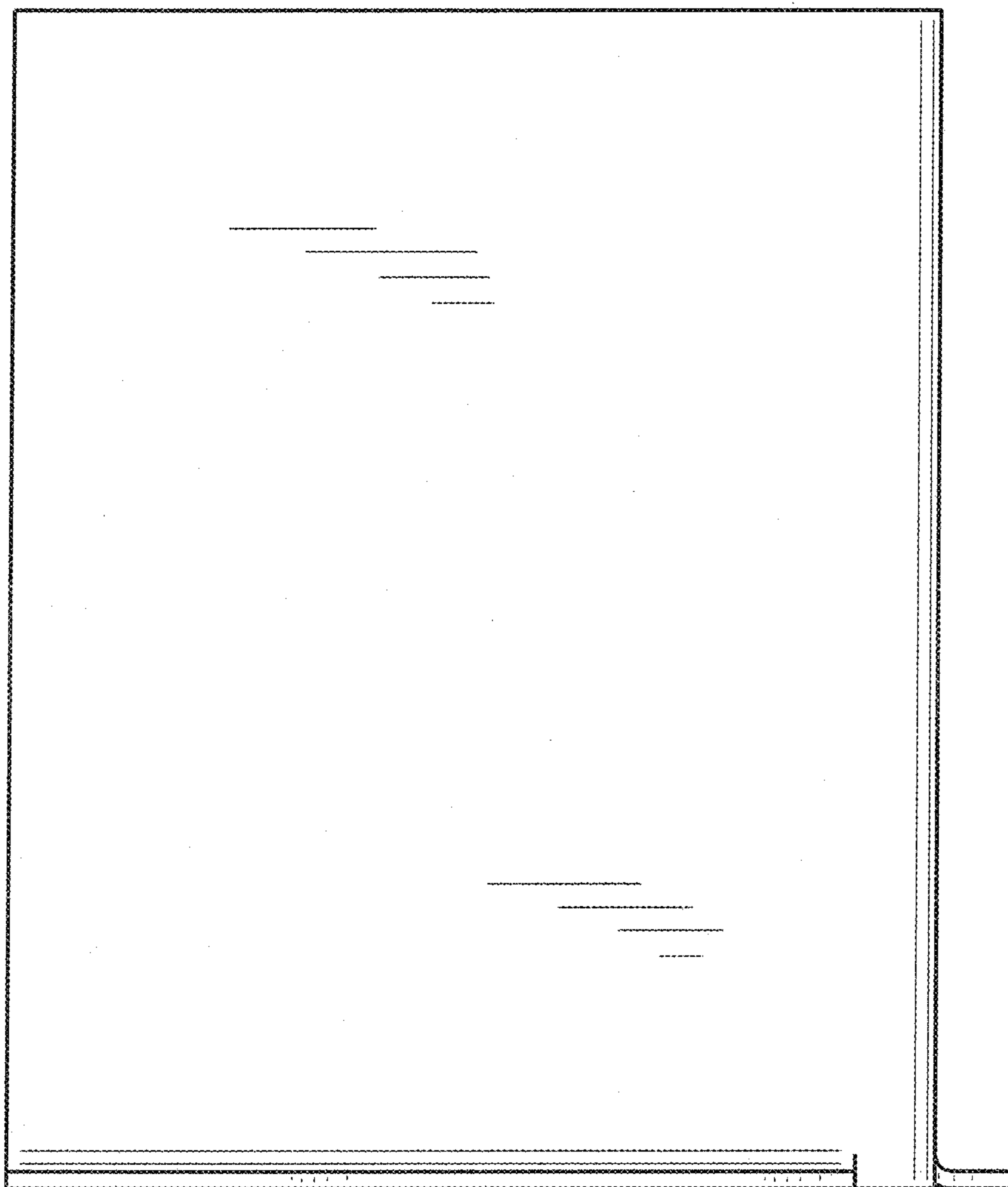


FIG. 2

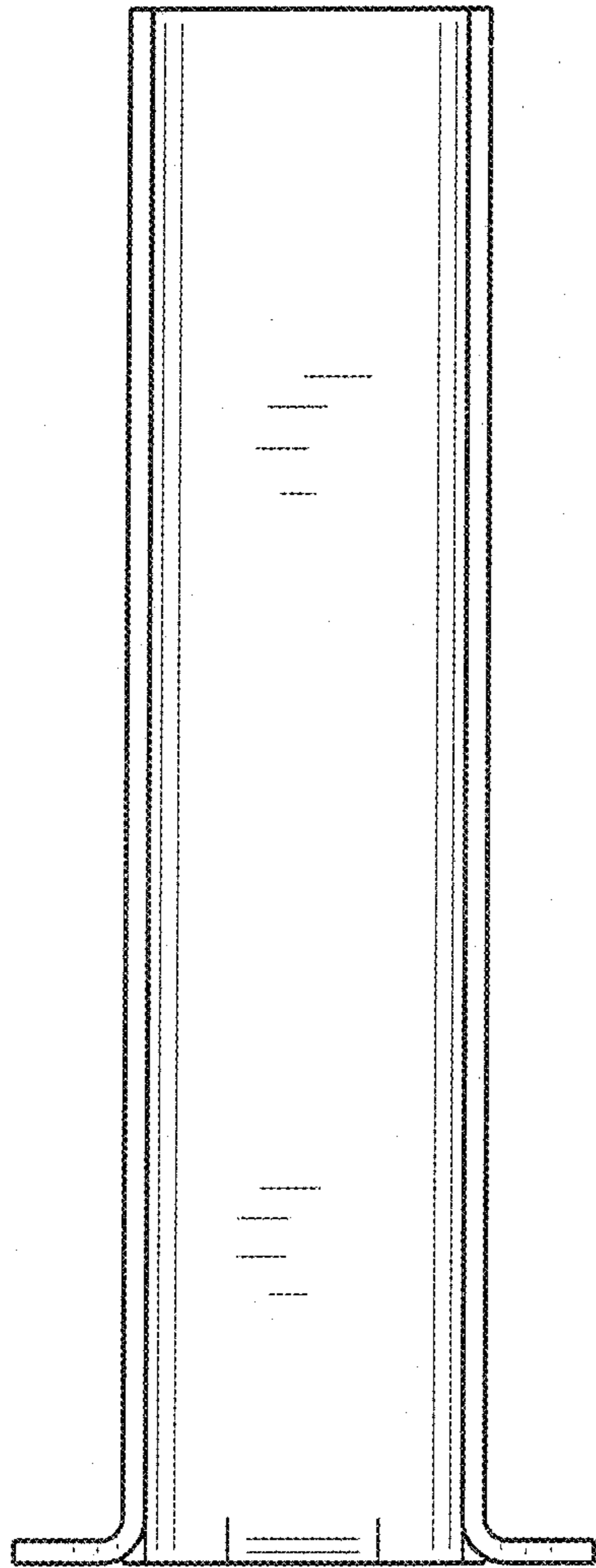


FIG. 3

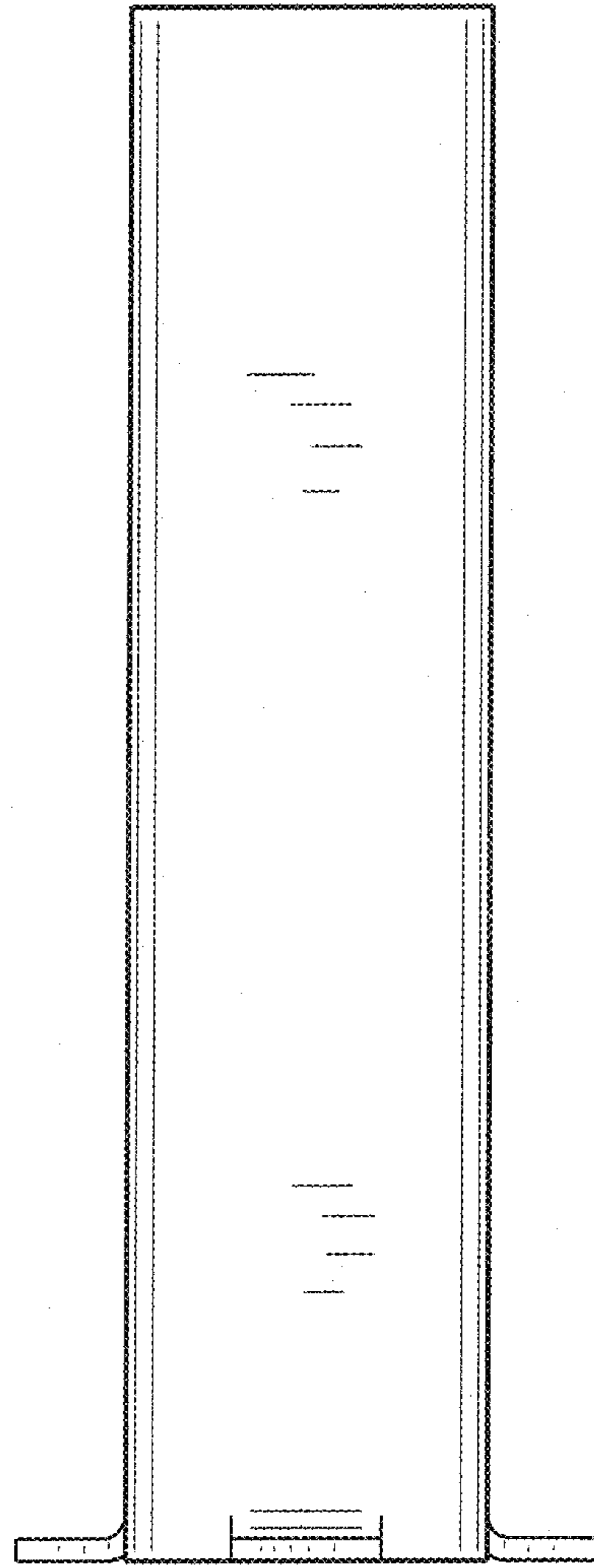


FIG. 4

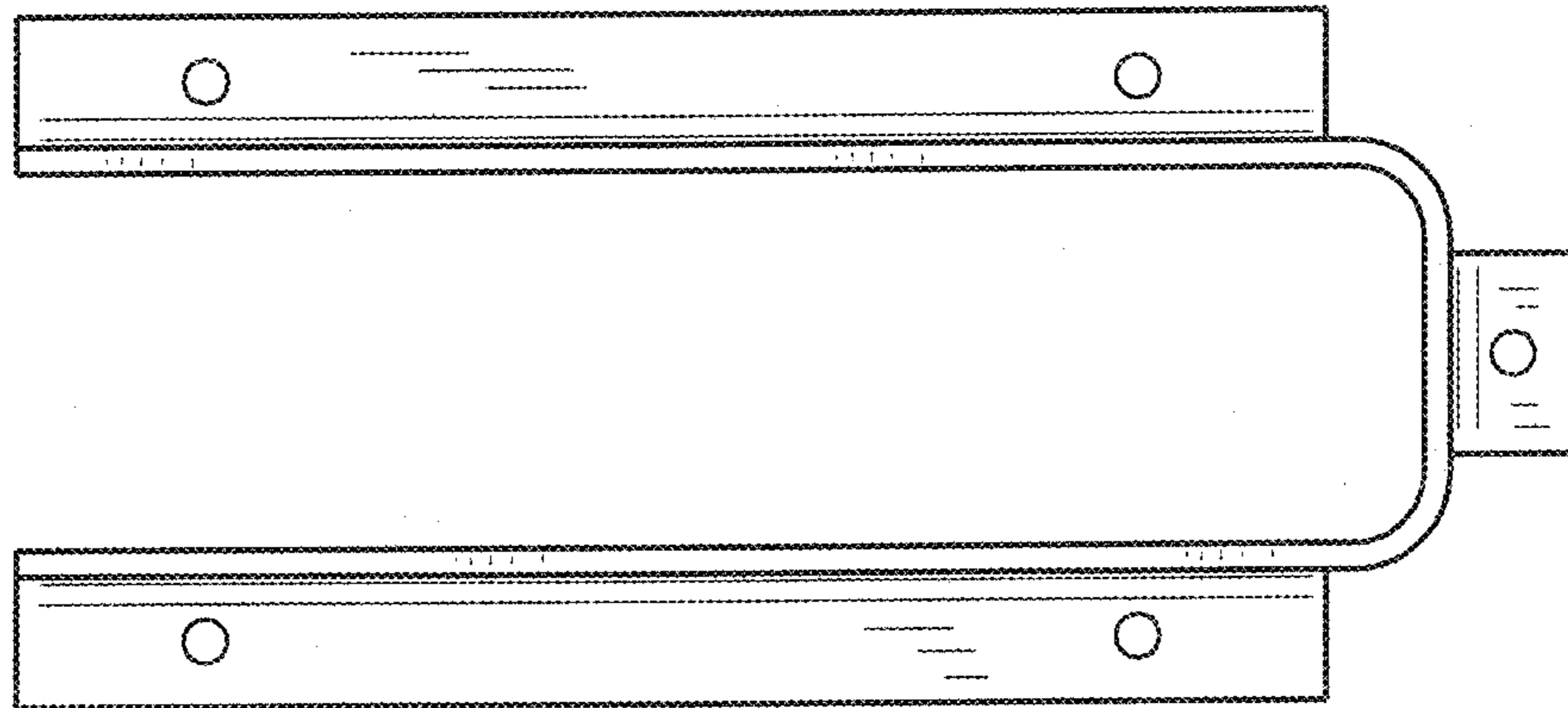


FIG. 5

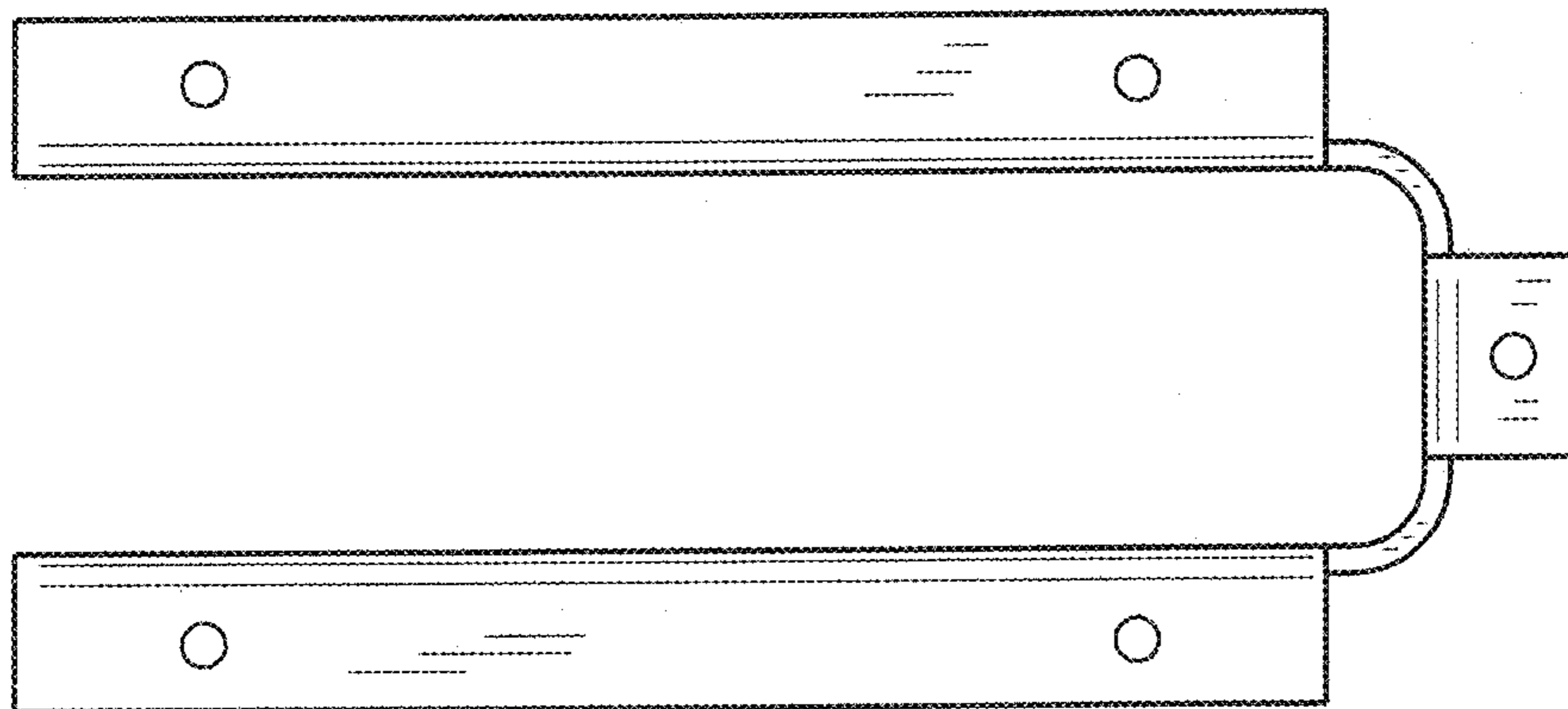


FIG. 6