



US00D680632S

(12) **United States Design Patent**
Eilmus et al.

(10) **Patent No.:** **US D680,632 S**
(45) **Date of Patent:** **** Apr. 23, 2013**

- (54) **SINK**
- (75) Inventors: **Niels J. Eilmus**, Sheboygan, WI (US);
Shawn J. Booth, Sheboygan, WI (US)
- (73) Assignee: **Kohler Co.**, Kohler, WI (US)
- (**) Term: **14 Years**
- (21) Appl. No.: **29/400,565**
- (22) Filed: **Aug. 30, 2011**
- (51) **LOC (9) Cl.** **23-02**
- (52) **U.S. Cl.**
USPC **D23/290**
- (58) **Field of Classification Search** D23/284,
D23/290, 308; 4/619, 639-642, 660
See application file for complete search history.

- D600,334 S * 9/2009 Chong D23/308
- D627,864 S 11/2010 Eilmus et al.
- D627,865 S 11/2010 Eilmus
- D634,826 S * 3/2011 Booth D23/290
- D635,228 S 3/2011 Eilmus et al.
- D641,073 S * 7/2011 Booth D23/308
- D645,549 S * 9/2011 Booth D23/290

* cited by examiner

Primary Examiner — Robert Delehanty
(74) *Attorney, Agent, or Firm* — Foley & Lardner LLP

(57) **CLAIM**
We claim the ornamental design for a sink, as shown and described.

DESCRIPTION

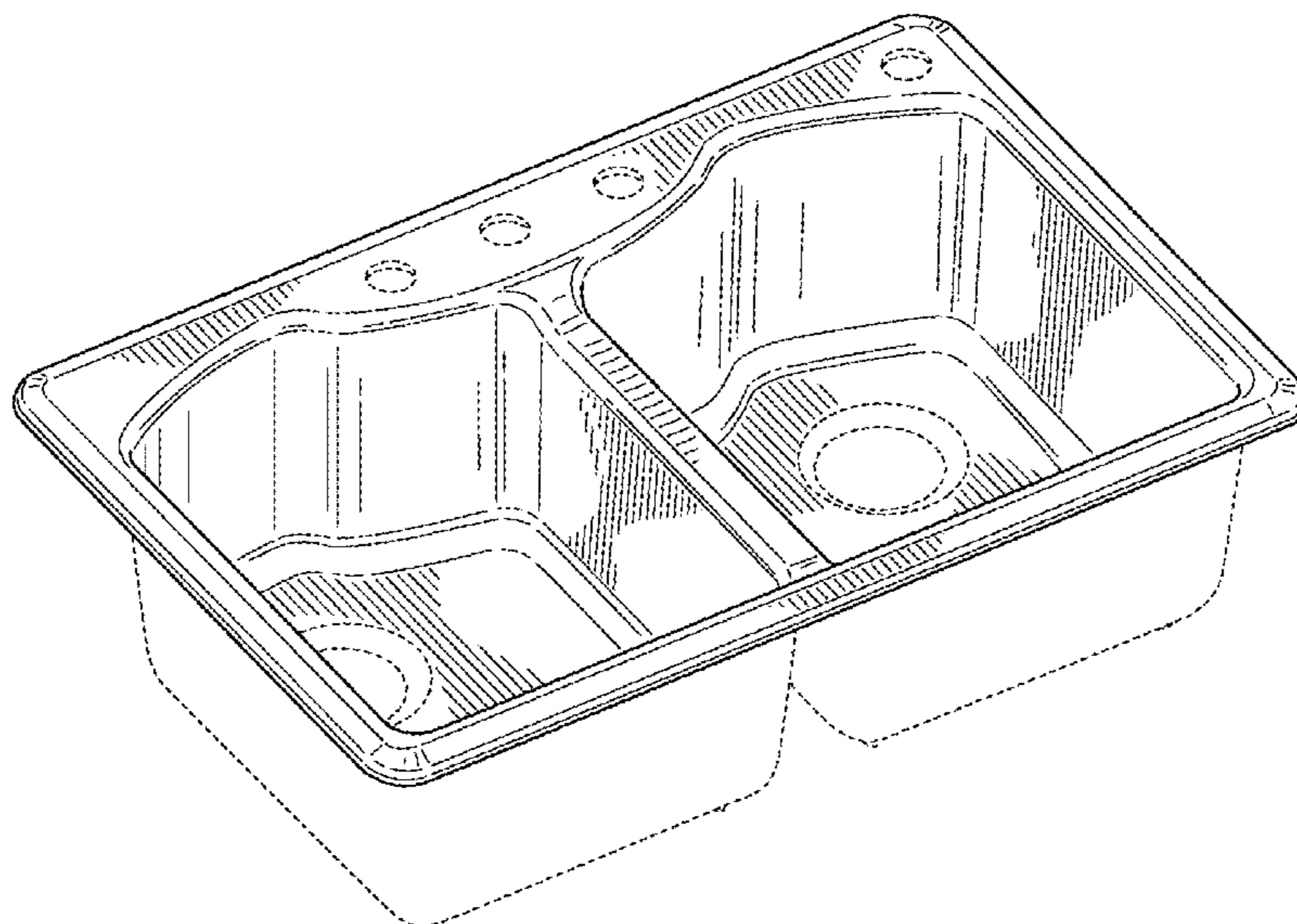
FIG. 1 is a top perspective view of an embodiment of the claimed design;
FIG. 2 is a top plan view of the claimed design of FIG. 1;
FIG. 3 is a front elevation view of the claimed design of FIG. 1;
FIG. 4 is a right-side elevation view of the claimed design of FIG. 1;
FIG. 5 is a left-side elevation view of the claimed design of FIG. 1;
FIG. 6 is a rear elevation view of the claimed design of FIG. 1; and,
FIG. 7 is a bottom plan view of the claimed design of FIG. 1.
The ornamental design which is claimed is shown in solid lines in the drawings. The broken lines in the drawings are for illustrative purposes only and form no part of the claimed design. The dot-dash lines in the drawings define boundaries of the claimed design and form no part thereof.

1 Claim, 5 Drawing Sheets

(56) **References Cited**

U.S. PATENT DOCUMENTS

- D88,713 S 12/1932 Kohler et al.
- D89,200 S 2/1933 Kohler et al.
- D295,068 S 4/1988 Kohler et al.
- D325,246 S 4/1992 Sauter et al.
- D328,339 S 7/1992 Sauter et al.
- D395,699 S * 6/1998 Hundley D23/290
- D425,187 S 5/2000 Adamavich
- D455,821 S 4/2002 Bayer et al.
- D464,125 S 10/2002 Bayer et al.
- D464,126 S 10/2002 Bayer et al.
- D464,411 S 10/2002 Bayer et al.
- D471,263 S 3/2003 Bayer et al.
- D473,292 S 4/2003 Paredes
- D518,561 S * 4/2006 Gordon D23/290
- D570,459 S 6/2008 Kitzmiller
- D570,460 S 6/2008 Kitzmiller
- D570,968 S 6/2008 Kitzmiller
- D570,969 S 6/2008 Kitzmiller



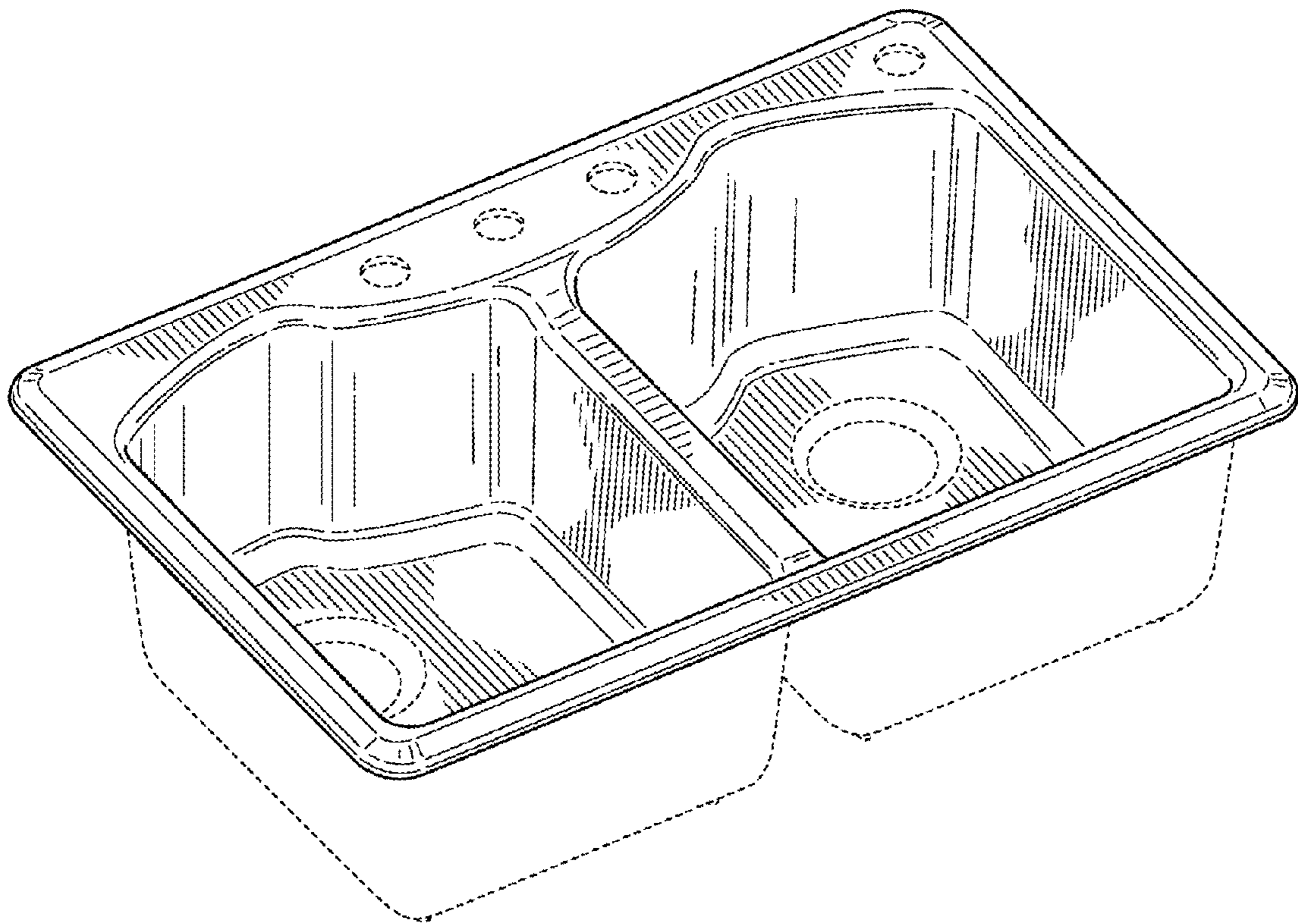


FIG. 1

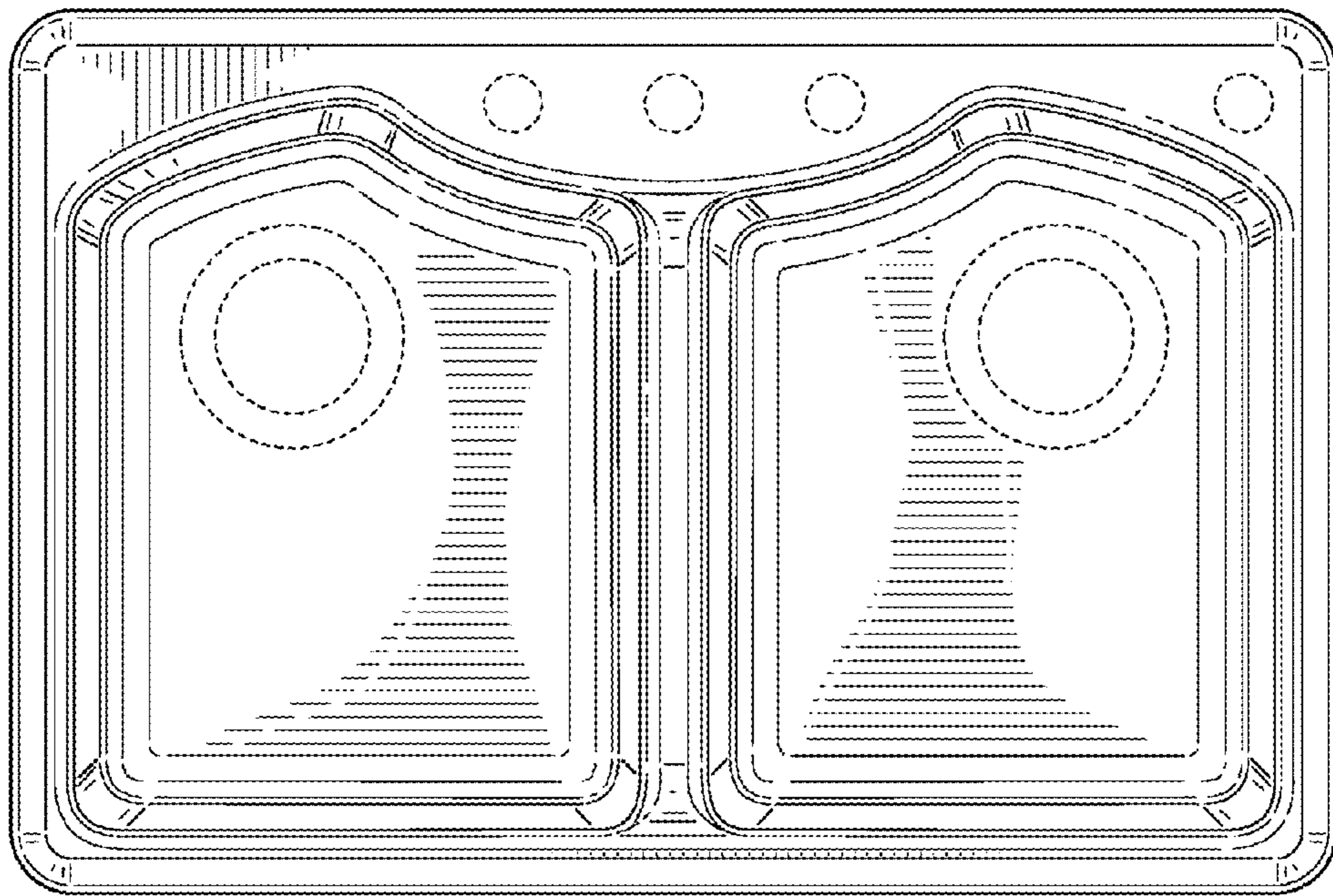


FIG. 2

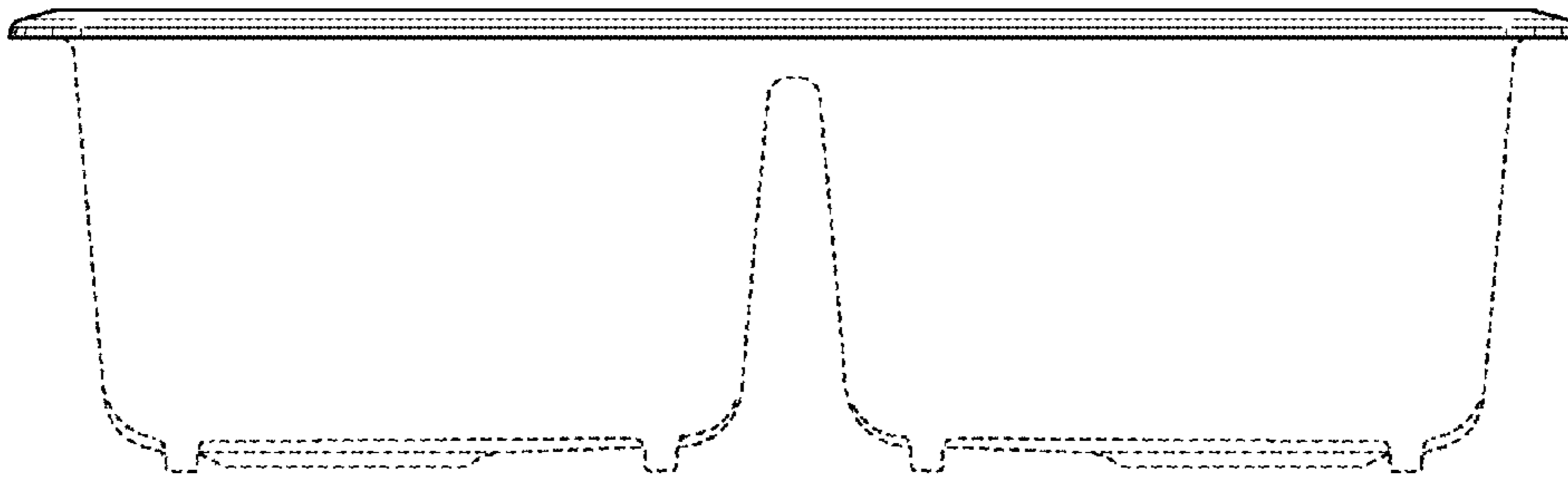


FIG. 3

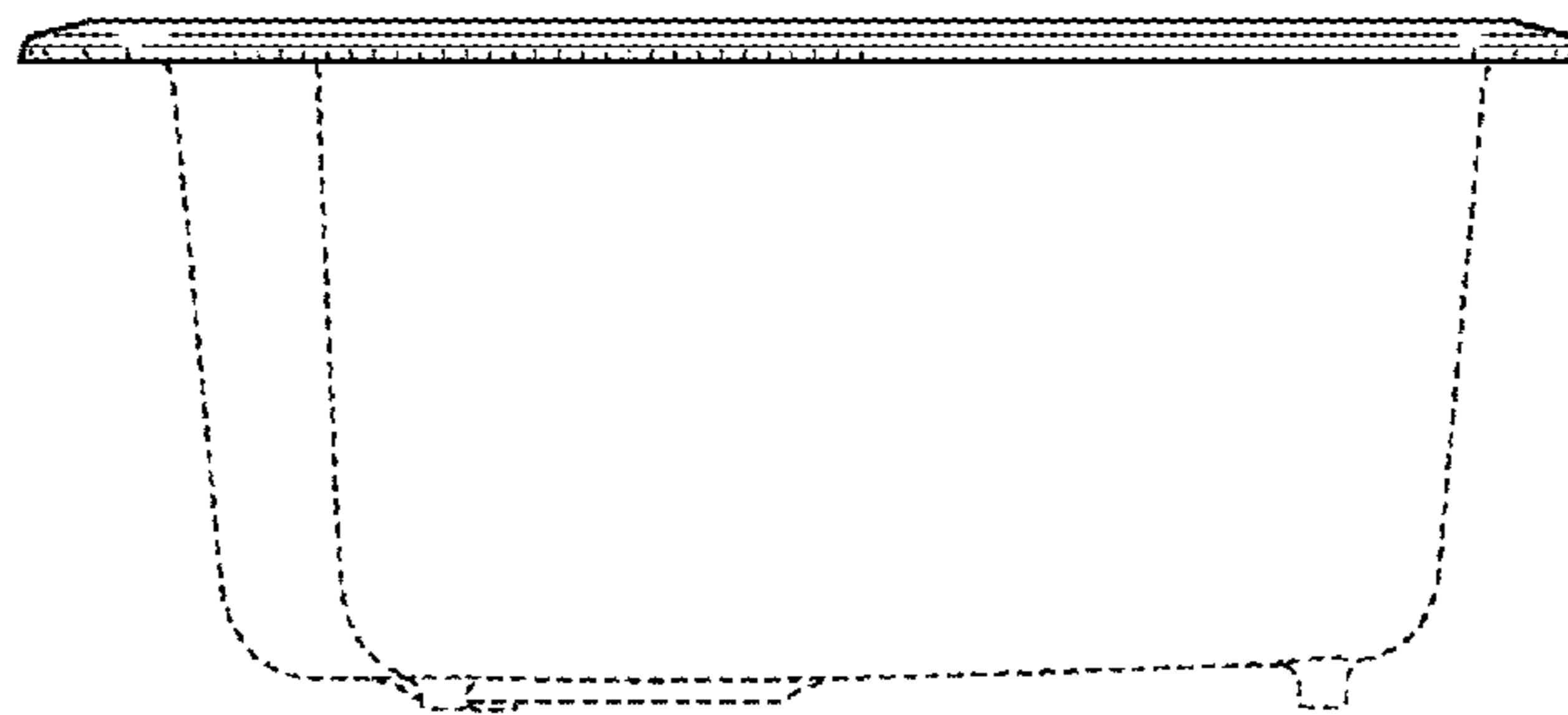


FIG. 4

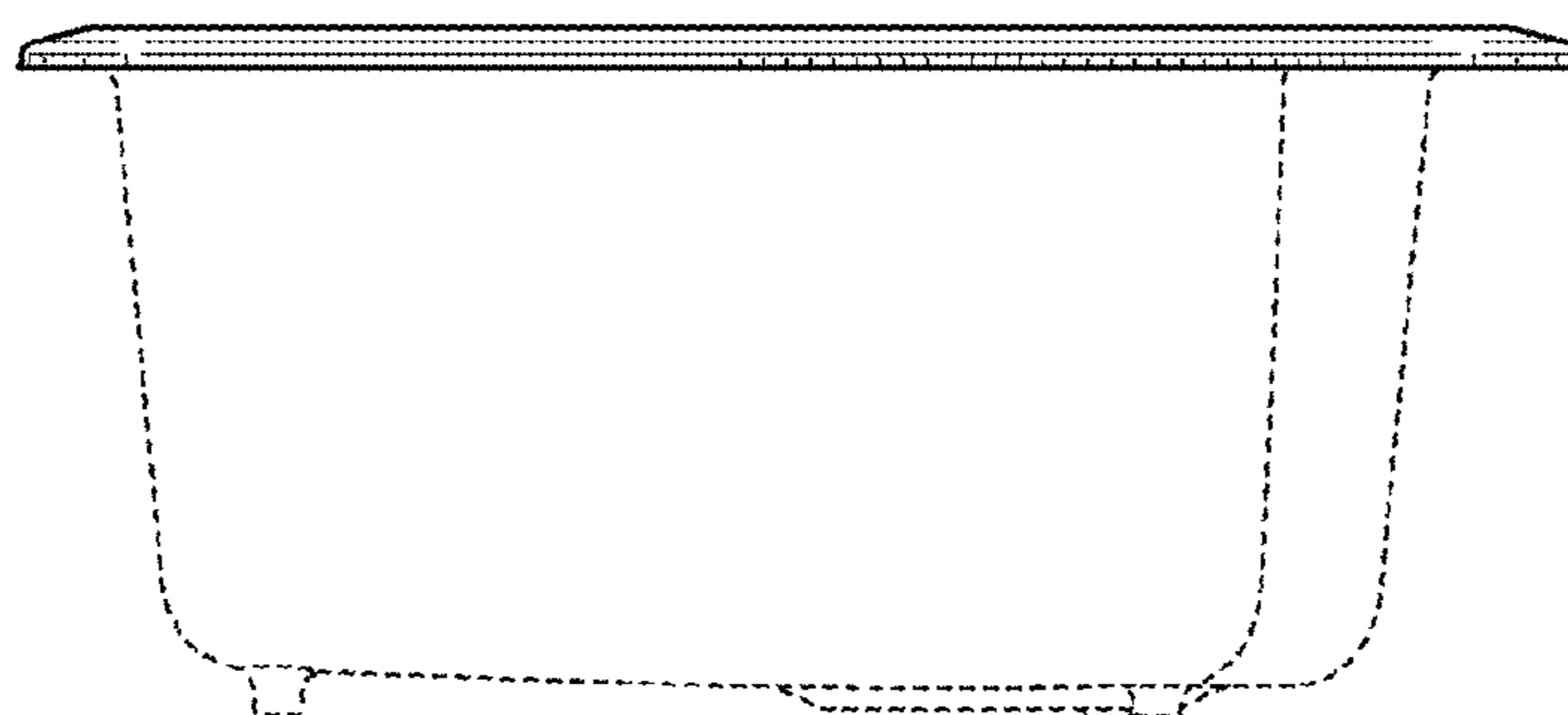


FIG. 5

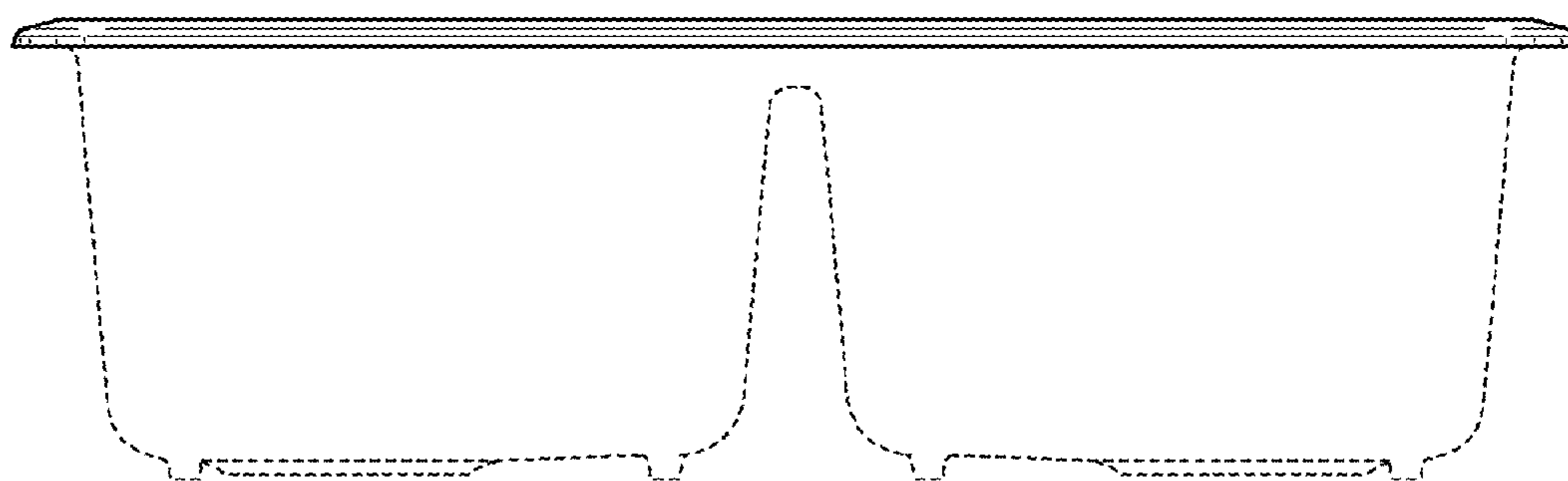


FIG. 6

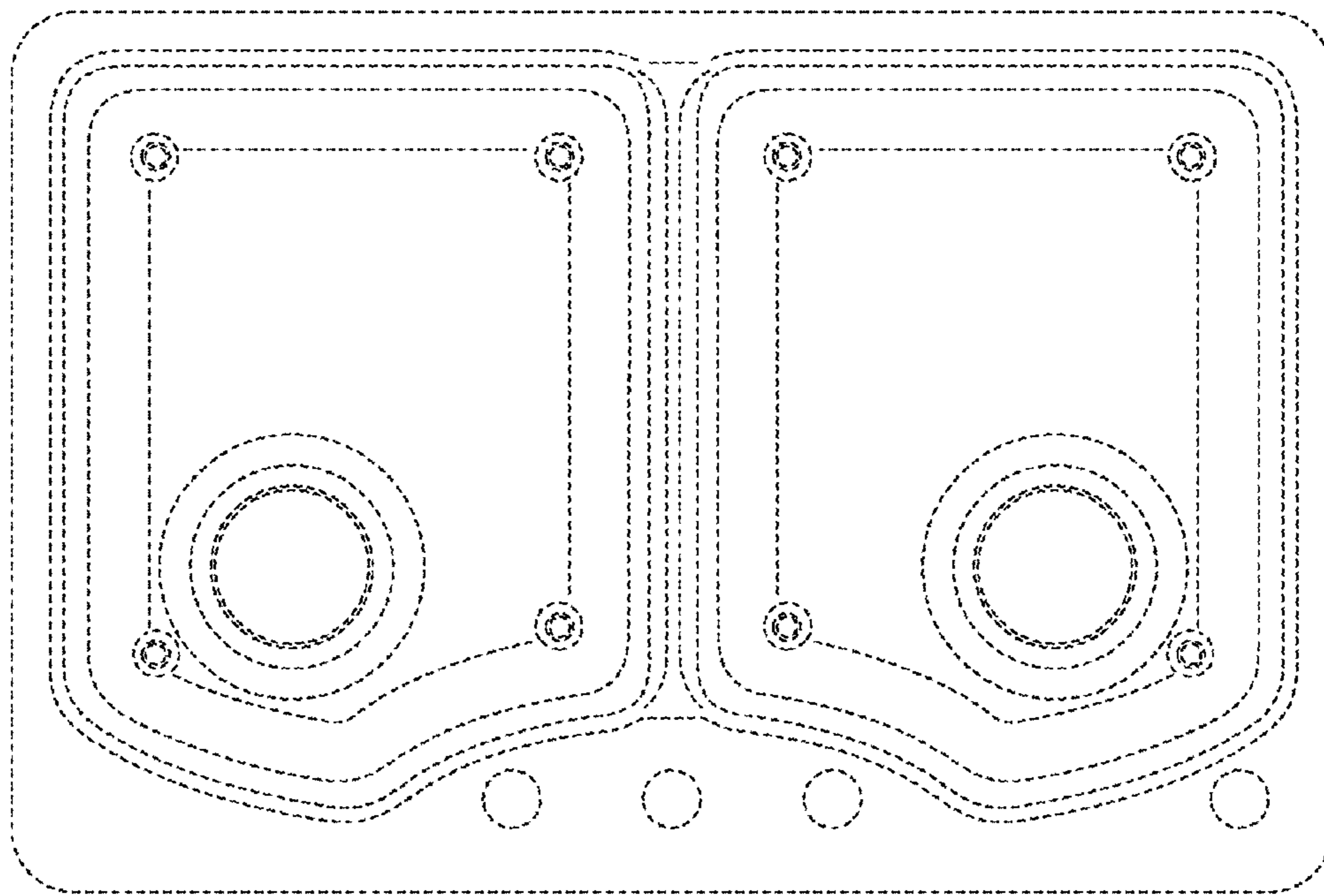


FIG. 7