



US00D680630S

(12) **United States Design Patent**  
**Beagen, Jr.**

(10) **Patent No.:** **US D680,630 S**  
(45) **Date of Patent:** **\*\* Apr. 23, 2013**

(54) **SLIP-ON COUPLING ASSEMBLY**  
(75) Inventor: **Joseph William Beagen, Jr.**,  
Providence, RI (US)  
(73) Assignee: **Mueller International, LLC**, Atlanta,  
GA (US)

2,377,510 A 6/1945 Newell  
2,439,979 A 4/1948 Krooss  
2,449,795 A 9/1948 Stillwagon  
2,456,048 A 12/1948 Carpenter  
2,473,046 A 6/1949 Adams  
2,473,102 A 6/1949 Krooss  
2,486,120 A 10/1949 Colton et al.  
2,616,946 A 11/1952 Scheer

(\*\*) Term: **14 Years**

(Continued)

(21) Appl. No.: **29/406,887**

DE 1051585 2/1959  
DE 972484 7/1959

(22) Filed: **Nov. 21, 2011**

FOREIGN PATENT DOCUMENTS

(51) **LOC (9) Cl.** ..... **23-01**

(52) **U.S. Cl.**

USPC ..... **D23/262**

(58) **Field of Classification Search** ..... D23/262,  
D23/259; 239/428.5; 261/DIG. 22; D8/396;  
285/1, 112, 179, 340, 367, 373, 404, 53,  
285/915; 403/291, 300; 411/5, 10; 137/801  
See application file for complete search history.

(Continued)

OTHER PUBLICATIONS

Beagen Jr.; U.S. Patent Application Entitled: Slip-on Coupling; U.S.  
Appl. No. 13/354,459, filed Jan. 20, 2012; 33 pages.

(Continued)

*Primary Examiner* — Eric Goodman

(74) *Attorney, Agent, or Firm* — Taylor English Duma LLP

(56) **References Cited**

U.S. PATENT DOCUMENTS

29,731 A 8/1860 Truss  
815,581 A 3/1906 Dean  
1,006,294 A 10/1911 Schubart  
1,093,868 A 4/1914 Leighty  
1,352,918 A 9/1920 Rohbock  
1,541,601 A 6/1925 Tribe  
1,851,574 A 3/1929 Fiederlein  
1,833,776 A 11/1931 Dillon  
1,867,891 A 7/1932 Reynolds  
1,881,508 A 10/1932 Gredell  
1,930,194 A 10/1933 Dillon  
1,937,881 A 12/1933 Fisher  
1,970,078 A 8/1934 Dillon  
1,987,235 A 1/1935 Janeway  
2,020,156 A 11/1935 Muchnic  
2,041,132 A 5/1936 Johnson  
2,369,770 A 2/1945 Baxter

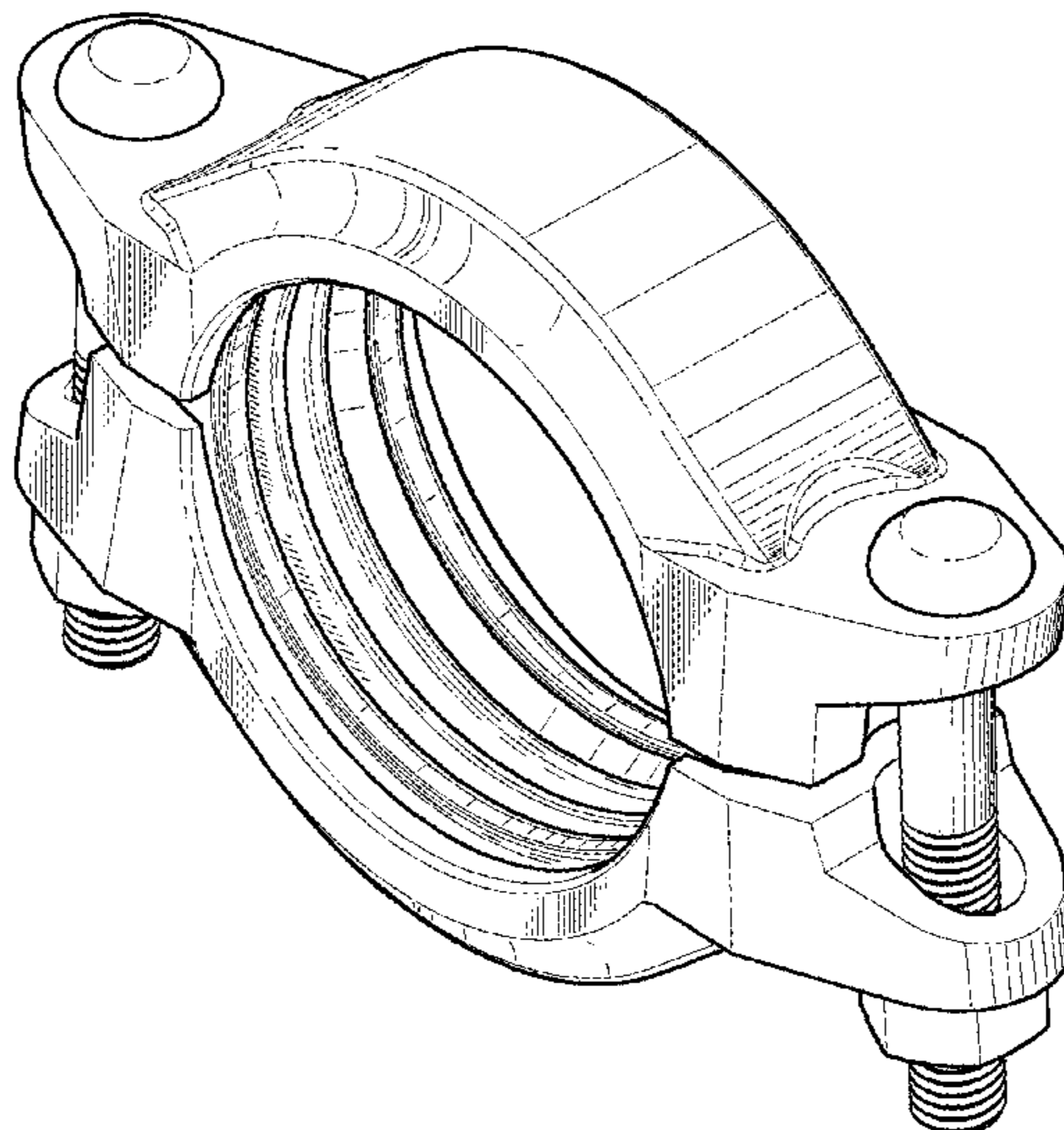
(57) **CLAIM**

I claim the ornamental design for a slip-on coupling assembly, as shown and described.

**DESCRIPTION**

FIG. 1 is a perspective view of a slip-on coupling assembly of the design described herein.  
FIG. 2 is a left side view thereof.  
FIG. 3 is a right side view thereof.  
FIG. 4 is a front side view thereof.  
FIG. 5 is a top side view thereof.  
FIG. 6 is a bottom side view thereof; and,  
FIG. 7 is a sectional view thereof taken along the line 7-7 as shown in FIG. 4.

**1 Claim, 5 Drawing Sheets**



# US D680,630 S

Page 2

U.S. PATENT DOCUMENTS							
2,675,253	A	4/1954	Stade	4,522,433	A	6/1985	Valentine et al.
2,688,170	A	9/1954	Balzer	4,522,434	A	6/1985	Webb
2,688,500	A	9/1954	Scott	4,568,115	A	2/1986	Zimmerly
2,752,173	A	6/1956	Krooss	4,601,495	A	7/1986	Webb
2,754,136	A	7/1956	Newton	4,611,839	A	9/1986	Rung et al.
2,816,780	A	12/1957	Ross	4,616,858	A	10/1986	Sauer
2,821,415	A	1/1958	Race	4,629,217	A	12/1986	Straub
2,944,839	A	7/1960	Anderson	4,639,020	A	1/1987	Rung et al.
3,003,793	A	10/1961	Pitt	4,643,461	A	2/1987	Thau, Jr. et al.
3,004,781	A	10/1961	Morris	D289,078	S	3/1987	Vassallo et al.
3,014,259	A	12/1961	Joseph	4,702,499	A	10/1987	deRaymond et al.
3,015,502	A	1/1962	Frost et al.	4,702,500	A	10/1987	Thau, Jr. et al.
3,024,046	A	3/1962	Frost et al.	4,717,299	A	1/1988	Underwood
D196,724	S	10/1963	Davis	4,722,561	A	2/1988	Heckethorn et al.
3,107,108	A	10/1963	Greene	4,726,611	A	2/1988	Sauer
3,135,154	A	6/1964	Zenzic	4,739,542	A	4/1988	Krzesicki
3,153,550	A	10/1964	Hollett	4,776,362	A	10/1988	Domingue, Sr. et al.
3,176,723	A	4/1965	Hodgeman et al.	4,861,075	A	8/1989	Pepi et al.
3,181,896	A	5/1965	Russell	4,893,843	A	1/1990	DeRaymond
3,189,969	A	6/1965	Sweet	4,896,902	A	1/1990	Weston
3,201,149	A	8/1965	Bragg	4,915,418	A	4/1990	Palatchy
3,207,538	A	9/1965	Pattillo	4,966,395	A	10/1990	Hendrickson
3,213,817	A	10/1965	Kish	5,018,548	A	5/1991	McLennan
3,283,553	A	11/1966	Taylor	5,037,141	A	8/1991	Jardine
3,285,568	A	11/1966	Biach	5,039,137	A	8/1991	Cankovic et al.
3,291,506	A	12/1966	Blakeley	5,056,833	A	10/1991	Webb et al.
3,298,698	A	1/1967	Condon	5,058,931	A	10/1991	Bowsher
3,313,197	A	4/1967	Knohl	5,080,400	A	1/1992	Adamek et al.
3,315,970	A	4/1967	Holoway	5,094,492	A	3/1992	Levivier
3,329,446	A	7/1967	Katis et al.	5,104,153	A	4/1992	Corcoran
3,351,352	A	11/1967	Blakeley et al.	5,137,305	A	8/1992	Straub
3,362,730	A	1/1968	St. Clair et al.	5,190,324	A	3/1993	Bird et al.
3,386,771	A	6/1968	Verdier et al.	5,203,594	A	4/1993	Straub
3,425,473	A	2/1969	Knowlton	5,230,537	A	7/1993	Newman
3,464,722	A	9/1969	Larkin	5,230,540	A	7/1993	Lewis et al.
3,524,662	A	8/1970	Tolman et al.	5,240,294	A	8/1993	Corcoran
3,550,638	A	12/1970	Smith	5,246,256	A	9/1993	Rung et al.
3,658,367	A	4/1972	Pfeuffer	5,246,257	A	9/1993	Kojima et al.
3,664,691	A	5/1972	Nakamura	5,248,169	A	9/1993	Barbe et al.
3,680,619	A	8/1972	Sparks	5,249,829	A	10/1993	Hendrickson
3,680,894	A	8/1972	Young	5,273,322	A	12/1993	Straub
3,695,638	A	10/1972	Blakeley	5,280,969	A	1/1994	Straub
RE27,736	E	8/1973	Muhlner et al.	5,280,970	A	1/1994	Straub
3,794,361	A	2/1974	Westberg	5,291,769	A	3/1994	Miyano
3,797,078	A	3/1974	LaPointe	5,301,986	A	4/1994	Yehezkeili
3,807,435	A	4/1974	Fenster et al.	5,306,021	A	4/1994	Morvant
3,856,245	A	12/1974	Byerly	5,312,137	A	5/1994	Nee
3,877,733	A	4/1975	Straub	5,351,997	A	10/1994	Webb et al.
3,905,623	A	9/1975	Cassel	5,354,108	A	10/1994	Sandor
3,966,237	A	6/1976	Thiessen	5,387,017	A	2/1995	Gill
3,977,705	A	8/1976	Thiessen et al.	5,450,738	A	9/1995	Chatterley et al.
4,034,788	A	7/1977	Melone	5,508,931	A	4/1996	Snider
4,064,921	A	12/1977	Kose	5,509,702	A	4/1996	Warehime et al.
4,108,479	A	8/1978	Straub	5,560,656	A	10/1996	Okamura et al.
4,109,941	A	8/1978	Wood et al.	5,603,508	A	2/1997	Dole et al.
4,111,234	A	9/1978	Wells et al.	5,651,588	A	7/1997	Kato
4,114,414	A	9/1978	Goodman	5,658,021	A	8/1997	Matsumoto et al.
4,131,302	A	12/1978	Leonard, Jr.	5,697,650	A	12/1997	Brown
4,137,610	A	2/1979	Hoen	5,758,906	A	6/1998	Carlstrom et al.
4,176,865	A	12/1979	Felton et al.	5,758,907	A	6/1998	Dole et al.
D256,046	S	7/1980	Perrin	5,772,257	A	6/1998	Webb et al.
4,258,361	A	3/1981	Hydes et al.	5,778,715	A	7/1998	Lippka et al.
4,258,941	A	3/1981	Sands	5,845,384	A	12/1998	Retzbach
4,304,415	A	12/1981	Wolf et al.	5,873,611	A	2/1999	Munley et al.
4,311,248	A	1/1982	Westerlund et al.	5,899,507	A	5/1999	Schroeder et al.
4,326,737	A	4/1982	Lehmann	5,901,601	A	5/1999	Fujimoto et al.
4,350,350	A	9/1982	Blakeley	5,911,446	A	6/1999	McLennan et al.
4,377,894	A	3/1983	Yoshida	5,971,001	A	10/1999	Andersson
4,391,458	A	7/1983	Blakeley	6,070,911	A	6/2000	Namikawa et al.
4,403,378	A	9/1983	Engman	6,070,914	A	6/2000	Schmidt
4,408,788	A	10/1983	Beukema	6,076,861	A	6/2000	Ikeda
4,417,755	A	11/1983	Gittleman	6,139,069	A	10/2000	Radzik
4,432,558	A	2/1984	Westerlund et al.	6,142,536	A	11/2000	Wolfsdorf
4,438,958	A	3/1984	De Cenzo	6,170,884	B1	1/2001	McLennan et al.
4,471,979	A	9/1984	Gibb et al.	6,171,039	B1	1/2001	Seurujarvi
4,480,861	A	11/1984	Cann, Jr.	6,206,434	B1	3/2001	Schreiter
4,506,418	A	3/1985	Viola et al.	6,227,577	B1	5/2001	Ikeda et al.
4,518,177	A	5/1985	Deakins	6,231,286	B1	5/2001	Bogatz et al.
				6,302,450	B1	10/2001	Dole et al.



# US D680,630 S

Page 3

6,305,719	B1	10/2001	Smith, Jr. et al.	2005/0212284	A1	9/2005	Dole	
6,312,025	B1	11/2001	Wolfsdorf	2005/0225087	A1	10/2005	McMahon et al.	
6,328,352	B1	12/2001	Geppert et al.	2005/0253380	A1	11/2005	Gibb et al.	
6,361,085	B2	3/2002	Nguyen	2005/0253382	A1	11/2005	Gibb et al.	
6,367,843	B1	4/2002	Fetzer	2005/0253383	A1	11/2005	Gibb et al.	
6,393,885	B1	5/2002	Cadena	2005/0258641	A1	11/2005	Gibb	
6,533,333	B1	3/2003	Radzik	2007/0040336	A1	2/2007	Sun et al.	
6,565,129	B2	5/2003	Surjaatmadja	2007/0090646	A1	4/2007	Dole et al.	
6,581,977	B1	6/2003	Dole et al.	2008/0007061	A1	1/2008	Gibb	
6,619,094	B2	9/2003	Juhl	2008/0018057	A1	1/2008	Gibb et al.	
6,626,466	B1	9/2003	Dole	2008/0048444	A1	2/2008	Porter et al.	
6,749,232	B2	6/2004	Wachter et al.	2008/0272595	A1	11/2008	Gibb et al.	
6,758,500	B2	7/2004	Lehnhardt	2008/0290652	A1	11/2008	Gibb et al.	
6,758,501	B2	7/2004	Amedure et al.	2009/0206598	A1	8/2009	Gibb et al.	
6,769,697	B1	8/2004	Ishikawa et al.	2009/0223031	A1	9/2009	Gibb et al.	
6,834,892	B2	12/2004	Kornau et al.	2009/0243291	A1	10/2009	Gibb et al.	
6,880,859	B2	4/2005	Breay et al.	2010/0148493	A1	6/2010	Madara et al.	
6,908,123	B2	6/2005	Le	2010/0187812	A1	7/2010	Radzik et al.	
6,969,094	B2	11/2005	Fröhling et al.	2010/0218362	A1	9/2010	Porter et al.	
D526,705	S	8/2006	Wortmann et al.	2010/0289257	A1	11/2010	Madara et al.	
7,086,131	B2	8/2006	Gibb et al.	2010/0320756	A1	12/2010	Gibb et al.	
7,090,259	B2	8/2006	Dole	2011/0133415	A1	6/2011	Vu	
7,118,317	B2	10/2006	Hofschneider	2011/0154646	A1	6/2011	Hagiya	
7,243,955	B2	7/2007	Krausz et al.	2012/0256415	A1	4/2012	Dole	
7,341,287	B2	3/2008	Gibb et al.	2012/0139236	A1	6/2012	Novitsky et al.	
D570,458	S *	6/2008	Gibb et al. ....	D23/262	2012/0235405	A1	9/2012	Dole et al.
7,401,819	B2	7/2008	Gibb et al.					
D598,988	S	8/2009	Jaccoby et al.					
D600,325	S *	9/2009	Porter et al. ....	D23/262				
7,591,055	B2	9/2009	Gibb et al.					
D605,736	S *	12/2009	Porter et al. ....	D23/262				
D609,312	S *	2/2010	Porter et al. ....	D23/262				
7,654,587	B2	2/2010	Gibb et al.					
D611,126	S *	3/2010	Porter et al. ....	D23/262				
7,690,698	B1	4/2010	Curran					
D616,532	S *	5/2010	Madara et al. ....	D23/262				
7,712,796	B2	5/2010	Gibb et al.					
7,722,087	B2	5/2010	Dole et al.					
D618,312	S *	6/2010	Madara et al. ....	D23/262				
D618,313	S *	6/2010	Madara et al. ....	D23/262				
D618,314	S *	6/2010	Bowman et al. ....	D23/262				
D618,315	S *	6/2010	Bowman et al. ....	D23/262				
7,726,703	B2	6/2010	Porter et al.					
7,789,434	B2	9/2010	Nagle et al.					
D625,785	S *	10/2010	Madara et al. ....	D23/262				
D625,786	S *	10/2010	Bowman et al. ....	D23/262				
D625,787	S *	10/2010	Bowman et al. ....	D23/262				
D625,788	S *	10/2010	Madara et al. ....	D23/262				
D626,201	S *	10/2010	Madara et al. ....	D23/262				
7,818,869	B2	10/2010	Dole et al.					
D629,078	S *	12/2010	Dole et al. ....	D23/262				
D629,079	S *	12/2010	Dole et al. ....	D23/262				
D629,080	S *	12/2010	Dole et al. ....	D23/262				
D629,081	S *	12/2010	Dole et al. ....	D23/262				
D629,496	S *	12/2010	Madara et al. ....	D23/262				
D633,991	S	3/2011	Nakagawa					
7,921,536	B2	4/2011	Dole					
7,950,701	B2	5/2011	Dole et al.					
D643,912	S	8/2011	Bowman et al.					
8,038,176	B2	10/2011	Bowman et al.					
D648,427	S	11/2011	Bowman et al.					
8,069,547	B2	12/2011	Gibb et al.					
8,079,129	B2	12/2011	Gibb et al.					
D665,056	S	8/2012	Cuvo et al.					
D665,057	S	8/2012	Madara et al.					
D665,058	S	8/2012	Cuvo et al.					
D665,059	S	8/2012	Madara et al.					
D665,060	S	8/2012	Wilk, Jr. et al.					
D665,061	S	8/2012	Dole et al.					
D665,888	S	8/2012	Wilk, Jr. et al.					
D665,889	S	8/2012	Dole et al.					
8,267,432	B2	9/2012	Madara et al.					
8,282,136	B2 *	10/2012	Vandal et al. ....	285/112				
8,312,616	B2	11/2012	Dole et al.					
2002/0171244	A1	11/2002	Wachter et al.					
2002/0195820	A1	12/2002	Surjaatmadja					
2003/0178850	A1	9/2003	Dole et al.					
2003/0234541	A1	12/2003	Thompson					
2005/0082831	A1	4/2005	Borland					
				2005/0212284	A1	9/2005	Dole	
				2005/0225087	A1	10/2005	McMahon et al.	
				2005/0253380	A1	11/2005	Gibb et al.	
				2005/0253382	A1	11/2005	Gibb et al.	
				2005/0253383	A1	11/2005	Gibb et al.	
				2005/0258641	A1	11/2005	Gibb	
				2007/0040336	A1	2/2007	Sun et al.	
				2007/0090646	A1	4/2007	Dole et al.	
				2008/0007061	A1	1/2008	Gibb	
				2008/0018057	A1	1/2008	Gibb et al.	
				2008/0048444	A1	2/2008	Porter et al.	
				2008/0272595	A1	11/2008	Gibb et al.	
				2008/0290652	A1	11/2008	Gibb et al.	
				2009/0206598	A1	8/2009	Gibb et al.	
				2009/0223031	A1	9/2009	Gibb et al.	
				2009/0243291	A1	10/2009	Gibb et al.	
				2010/0148493	A1	6/2010	Madara et al.	
				2010/0187812	A1	7/2010	Radzik et al.	
				2010/0218362	A1	9/2010	Porter et al.	
				2010/0289257	A1	11/2010	Madara et al.	
				2010/0320756	A1	12/2010	Gibb et al.	
				2011/0133415	A1	6/2011	Vu	
				2011/0154646	A1	6/2011	Hagiya	
				2012/0256415	A1	4/2012	Dole	
				2012/0139236	A1	6/2012	Novitsky et al.	
				2012/0235405	A1	9/2012	Dole et al.	

## FOREIGN PATENT DOCUMENTS

DE	1205348	11/1965
DE	1798281	9/1971
DE	2911575	9/1980
DE	2950521	10/1980
DE	3038491	4/1982
DE	9103296	6/1991
DE	4309330	9/1994
DE	4427513	2/1996
DE	19534437	3/1997
DE	10006029	8/2001
DE	10230845	2/2003
EP	0079457	5/1983
EP	0178360	4/1986
EP	0205896	12/1986
EP	0360946	4/1990
EP	0361765	4/1990
EP	0386516	9/1990
EP	0412642	2/1991
EP	0427880	5/1991
EP	0463424	1/1992
EP	0531833	3/1993
EP	1180630	2/2002
EP	1260751	11/2002
FR	1138312	6/1957
GB	343781	2/1931
GB	458441	12/1936
GB	822025	10/1959
GB	1331236	9/1973
GB	2051213	1/1981
GB	2098297	11/1982
GB	2143294	2/1985
GB	2157785	10/1985
GB	2161882	1/1986
GB	2218768	11/1989
GB	2243659	11/1991
GB	2253451	9/1992
GB	2253452	9/1992
GB	2367871	4/2002
JP	03074772	3/2003
JP	20077278455	10/2007
KR	10-1998-0012486	4/1998
KR	10-1998-0025273	7/1998
KR	10-2005-0121743	12/2005
SE	8704187	4/1989
WO	WO 9317268	9/1993
WO	WO 9511402	4/1995
WO	WO 0057093	9/2000
WO	WO 0159350	8/2001
WO	WO 03029712	4/2003

WO	2005114024	12/2005
WO	WO 2007145995	12/2007
WO	WO 2008104792	4/2008

OTHER PUBLICATIONS

Beagen Jr.; U.S. Patent Application Entitled: Coupling with Tongue and Groove; U.S. Appl. No. 13/354,464, filed Jan. 20, 2012; 32 pages.

Beagen Jr.; U.S. Patent Application Entitled: Coupling Gasket with Multiple Sealing Surfaces; U.S. Appl. No. 13/354,466, filed Jan. 20, 2012; 32 pages.

Beagen Jr.; U.S. Patent Application Entitled: Slip-on Coupling Gasket; U.S. Appl. No. 13/354,470, filed Jan. 20, 2012; 32 pages.

Beagen Jr.; U.S. Patent Application Entitled: Slip-on Coupling Segment; U.S. Appl. No. 29/406,886, filed Nov. 21, 2011; 5 pages.

Beagen Jr.; U.S. Patent Application Entitled: Slip-on Gasket; U.S. Appl. No. 29/405,039, filed Oct. 27, 2011; 3 pages.

Vandal.; U.S. Patent Application Entitled: Slip On Groove Coupling with Multiple Sealing Gasket; U.S. Appl. No. 12/490,113, filed Jun. 23, 2009; 33 pages.

Vandal; U.S. Patent Application Entitled: Slip On Groove Coupling with Multiple Sealing Gasket; U.S. Appl. No. 13/300,718, filed Nov. 21, 2011; 29 pages.

Vandal; Canadian Patent Application Entitled: Slip On Groove Coupling with Multiple Sealing Gasket; Ser. No. 2,732,427, filed Jun. 25, 2009; 36 pages.

Vandal; PCT Application Entitled: Slip On Groove Coupling with Multiple Sealing Gasket; U.S. Appl. No. PCT/US09/48637, filed Jun. 25, 2009; 33 pages.

Vandal; U.S. Provisional Patent Application Entitled: Slip On Groove Coupling with Multiple Sealing Gasket, U.S. Appl. No. 61/133,300, filed Jun. 30, 2008; 9 pages.

Gibb, John; Request for Inter Partes Reexamination under U.S. Appl. No. 95/001,878, filed Jan. 27, 2012; 36 pages.

Gibb, John; Request for Inter Partes Reexamination under U.S. Appl. No. 95/001,880, filed Feb. 1, 2012; 271 pages.

Vandal, Peter; Office Action from Canadian Intellectual Property Office for Application No. 2,732,427, filed Jun. 25, 2009, mailed Jul. 5, 2012; 4 pgs.

Vandal; Notice of Allowance for U.S. Appl. No. 12/490,113, filed Jun. 23, 2009, mailed May 31, 2012; 9 pgs.

Vandal; Notice of Allowance for U.S. Appl. No. 12/490,113, filed Jun. 23, 2009, mailed Apr. 16, 2012; 6 pgs.

Vandal; Notice of Allowance for U.S. Appl. No. 12/490,113, filed Jun. 23, 2009, mailed Feb. 29, 2012; 39 pgs.

Vandal; Restriction Requirement for U.S. Appl. No. 12/490,113, filed Jun. 23, 2009, mailed Oct. 26, 2011; 5 pgs.

Vandal; Non-Final Office Action for U.S. Appl. No. 12/490,113, filed Jun. 23, 2009, mailed Dec. 8, 2011, 13 pages.

Vandal; International Search Report and Written Opinion for U.S. Appl. No. PCT/US09/48637, filed Jun. 25, 2009, mailed Jan. 4, 2010; 15 pages.

Vandal; International Search Report and Written Opinion for U.S. Appl. No. PCT/US09/48291, filed Jun. 23, 2009, mailed Apr. 2, 2010; 11 pages.

Gibb, John; Request for Ex Parte Reexamination under U.S. Appl. No. 90/012,656, filed Sep. 14, 2012; 143 pages.

Gibb, John; Request for Inter Partes Reexamination under U.S. Appl. No. 95/002,401, filed Sep. 15, 2012; 147 pages.

Gibb, John; Request for Inter Partes Reexamination under U.S. Appl. No. 95/002,410, filed Sep. 15, 2012; 85 pages.

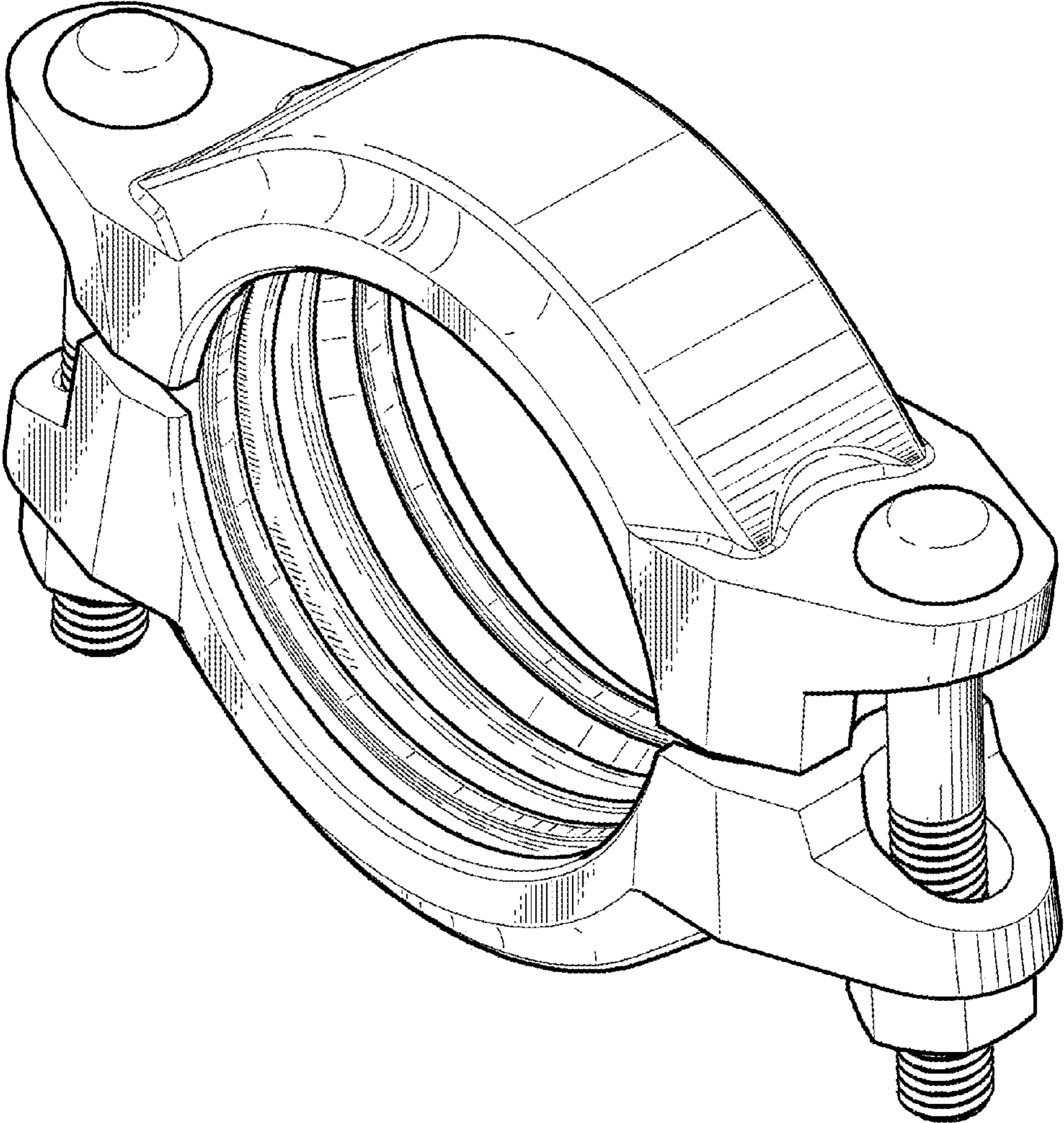
Beagan Jr.; Notice of Allowance for U.S. Appl. No. 29/406,886, filed Nov. 21, 2011, mailed Dec. 6, 2012; 50 pgs.

Beagen Jr, Joseph William; Supplemental Notice of Allowance for U.S. Appl. No. 29/406,886, filed Nov. 21, 2011, mailed Jan. 10, 2013; 13 pgs.

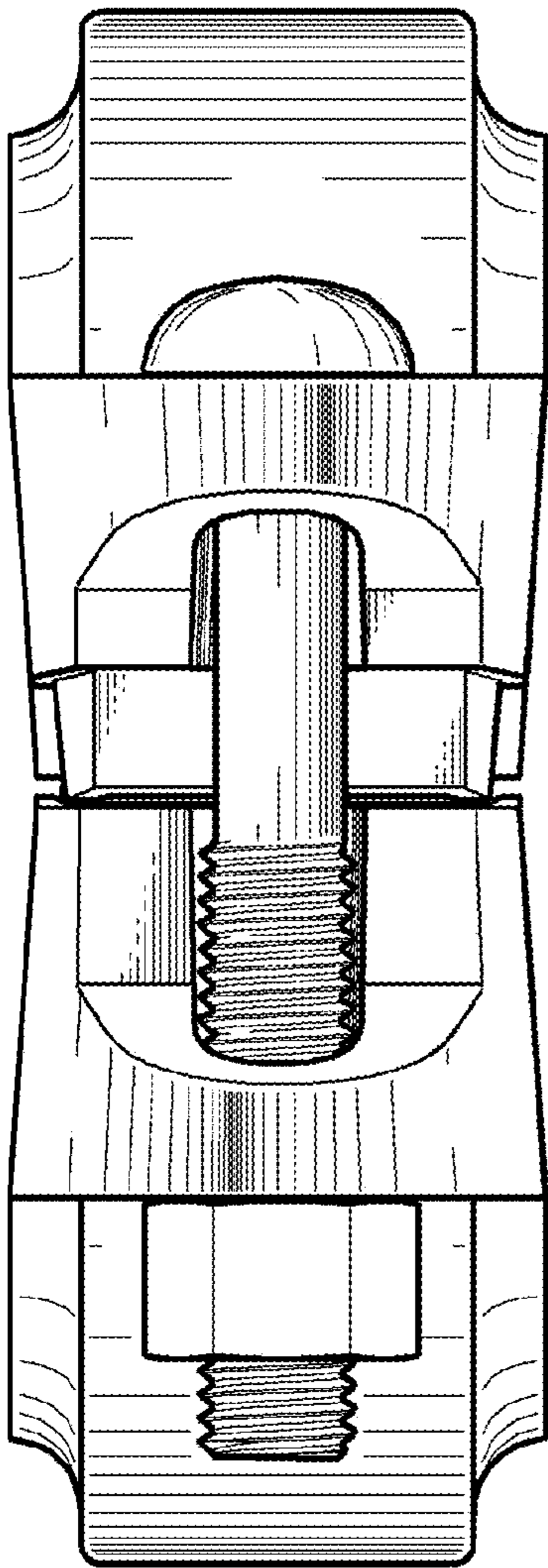
Vandal, Peter Joseph; Non-Final Office Action for U.S. Appl. No. 13/554,721, filed Jul. 20, 2012, mailed Feb. 5, 2013; 54 pgs.

\* cited by examiner

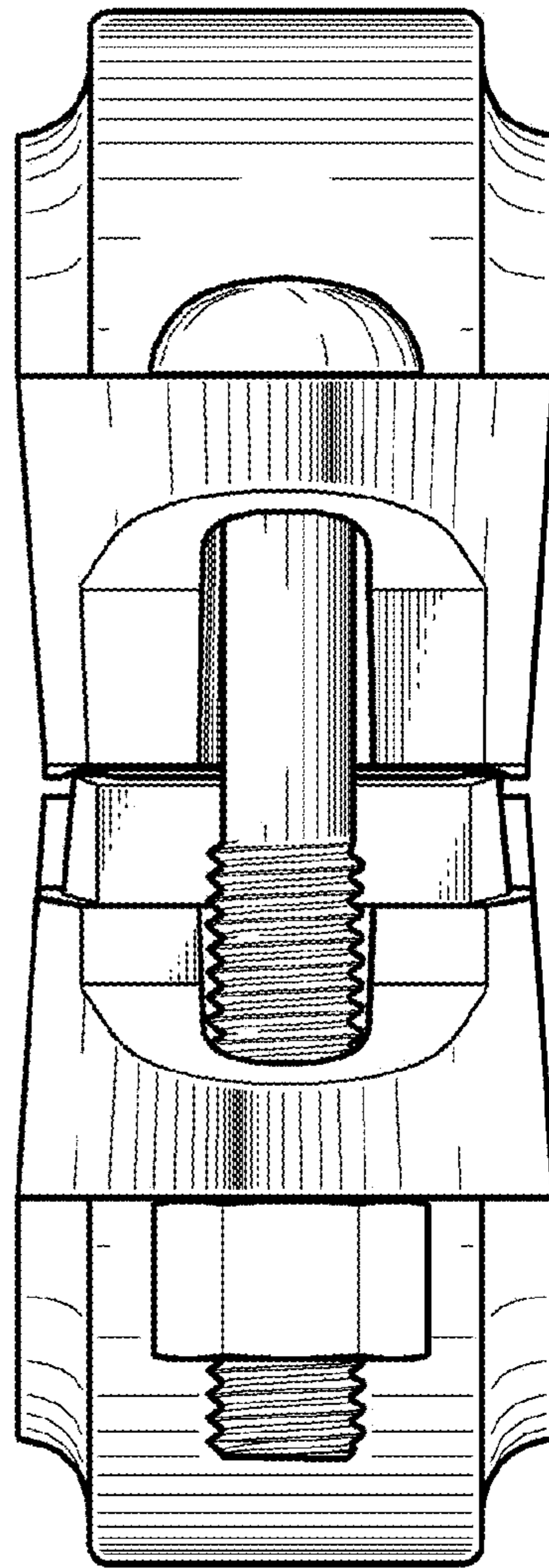




**FIG. 1**



**FIG. 2**



**FIG. 3**

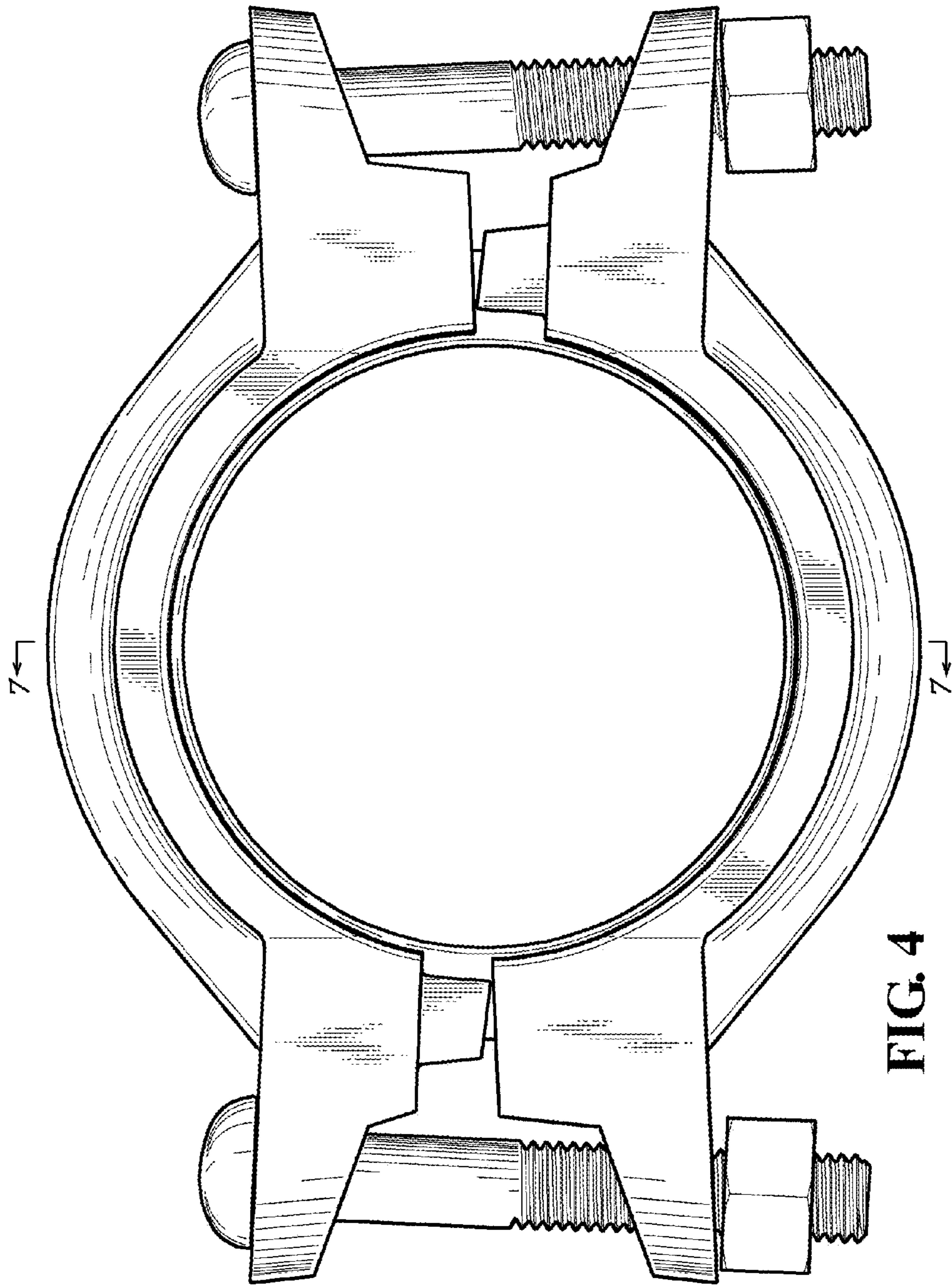


FIG. 4



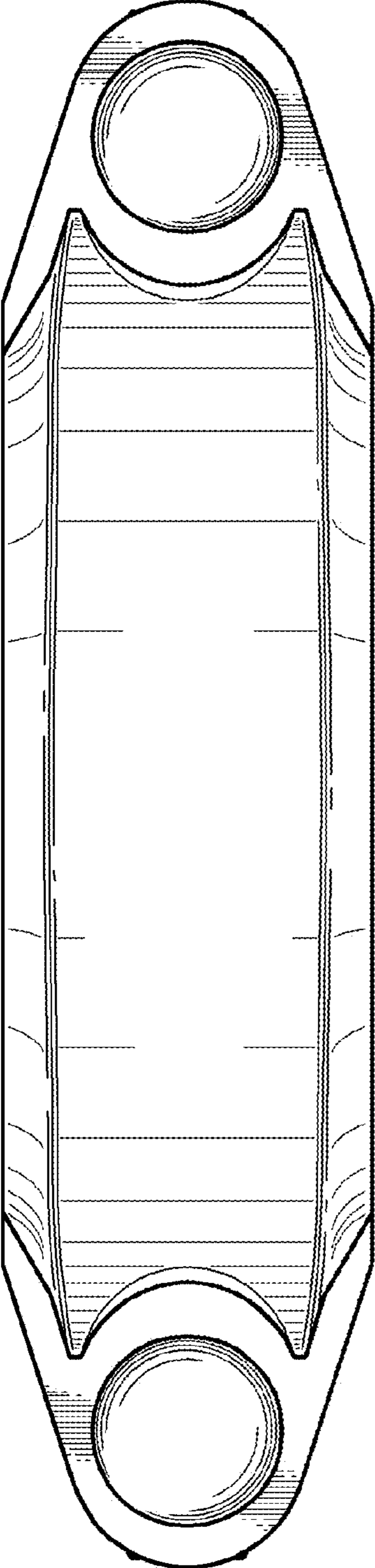


FIG. 5

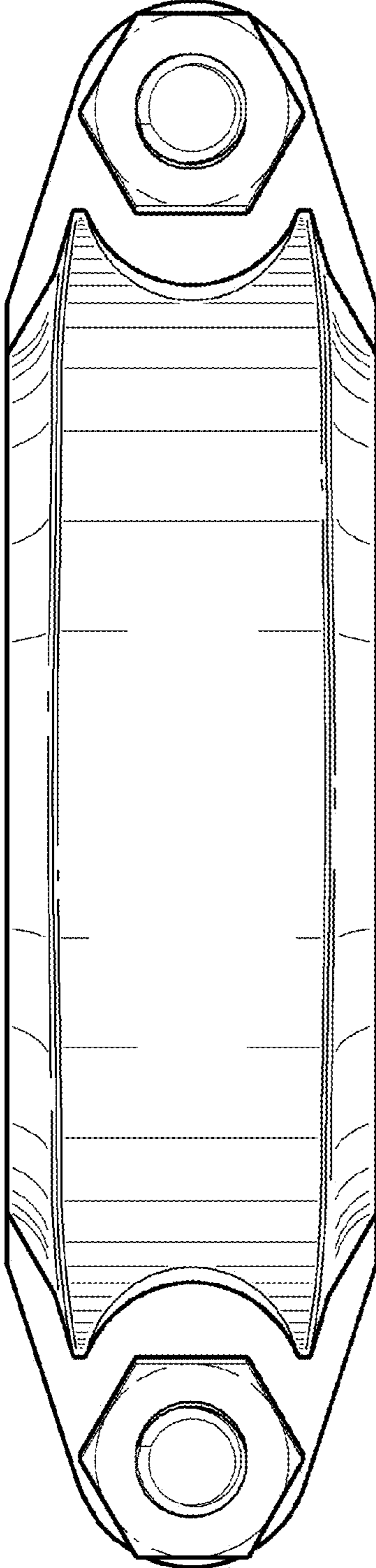
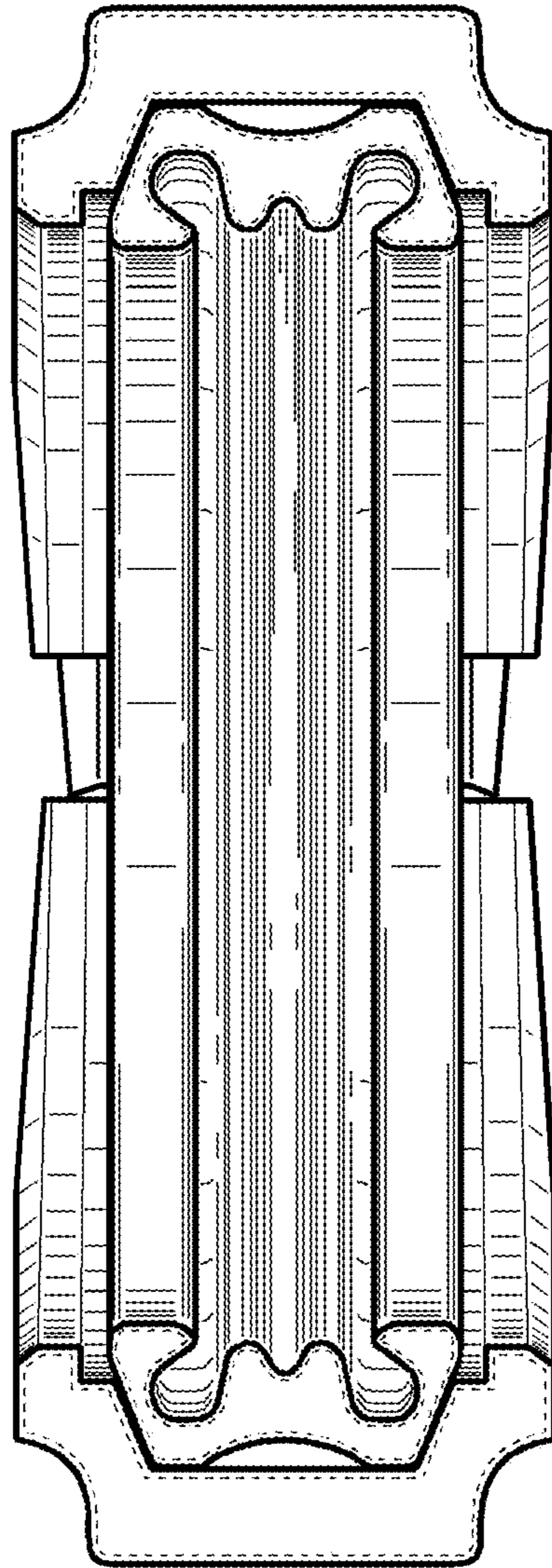


FIG. 6





**FIG. 7**