



US00D680626S

(12) **United States Design Patent**
Kwok

(10) **Patent No.:** **US D680,626 S**

(45) **Date of Patent:** **** Apr. 23, 2013**

(54) **FAUCET**

(75) **Inventor:** **Celine Kwok**, Indianapolis, IN (US)

(73) **Assignee:** **Masco Corporation of Indiana**,
Indianapolis, IN (US)

(**) **Term:** **14 Years**

(21) **Appl. No.:** **29/415,907**

(22) **Filed:** **Mar. 15, 2012**

(51) **LOC (9) Cl.** **23-01**

(52) **U.S. Cl.**
USPC **D23/242**

(58) **Field of Classification Search** D23/238,
D23/241–243, 250, 254–255, 257; 4/675–678;
137/801

See application file for complete search history.

(56) **References Cited**

U.S. PATENT DOCUMENTS

D465,266 S * 11/2002 Singtoroj D23/238
D466,980 S * 12/2002 Pitsch et al. D23/241

D519,610 S * 4/2006 Fritz D23/241
D520,604 S * 5/2006 Fritz D23/241
D569,486 S * 5/2008 Fritz et al. D23/241
D578,614 S * 10/2008 Fritz et al. D23/241
D655,787 S * 3/2012 Obara et al. D23/242

* cited by examiner

Primary Examiner — Robert Delehanty

(74) *Attorney, Agent, or Firm* — Edgar A. Zarins; Nirav D. Parikh; Lora J. Graentzdoerffer

(57) **CLAIM**

The ornamental design for a faucet, as shown and described.

DESCRIPTION

FIG. 1 is a perspective view of a faucet showing my new design;

FIG. 2 is a right side view thereof, the opposite side being a mirror image of the side shown;

FIG. 3 is a front elevational view thereof;

FIG. 4 is a rear view thereof;

FIG. 5 is a top view thereof; and,

FIG. 6 is a bottom view thereof.

1 Claim, 2 Drawing Sheets

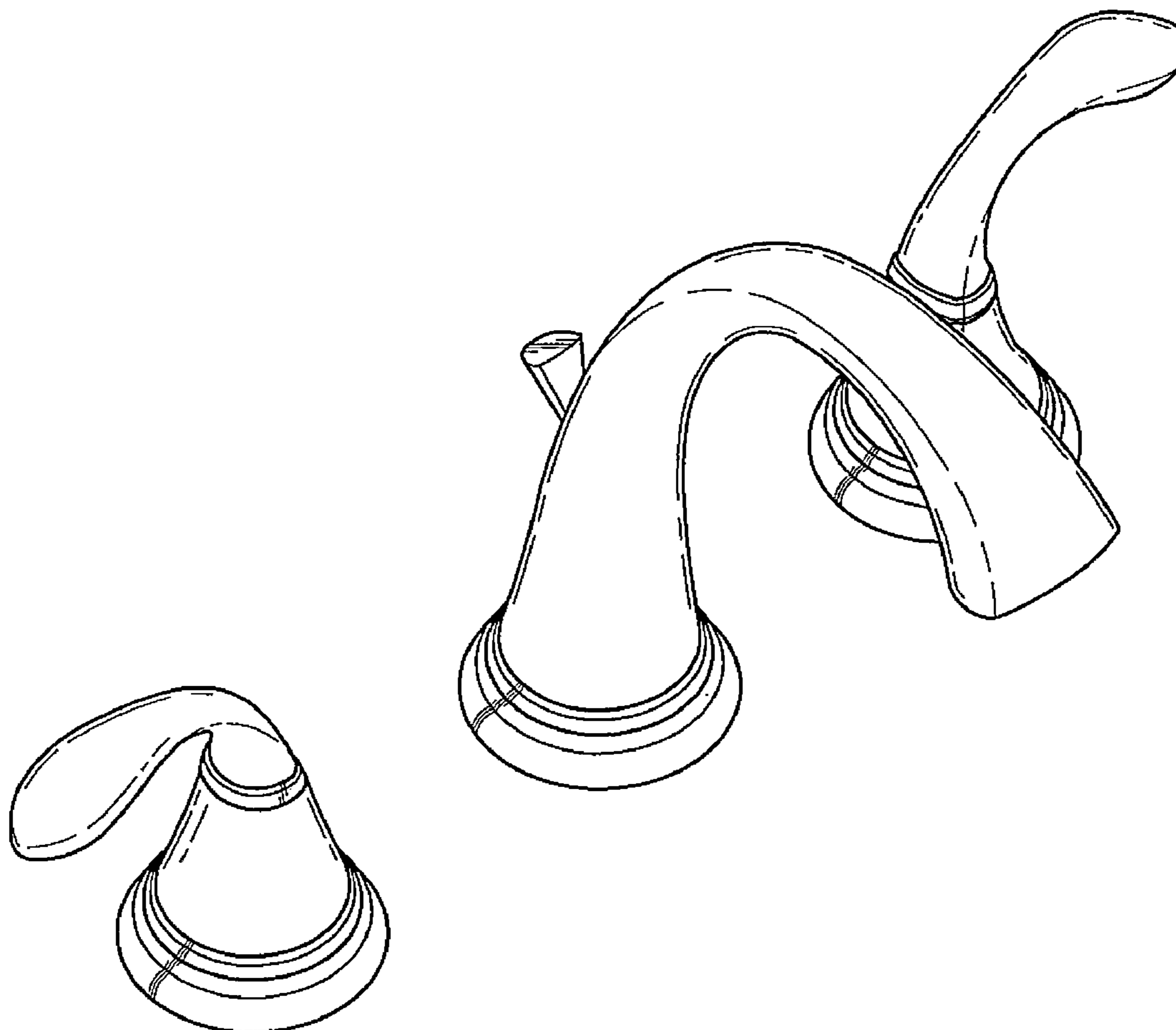


Fig-1

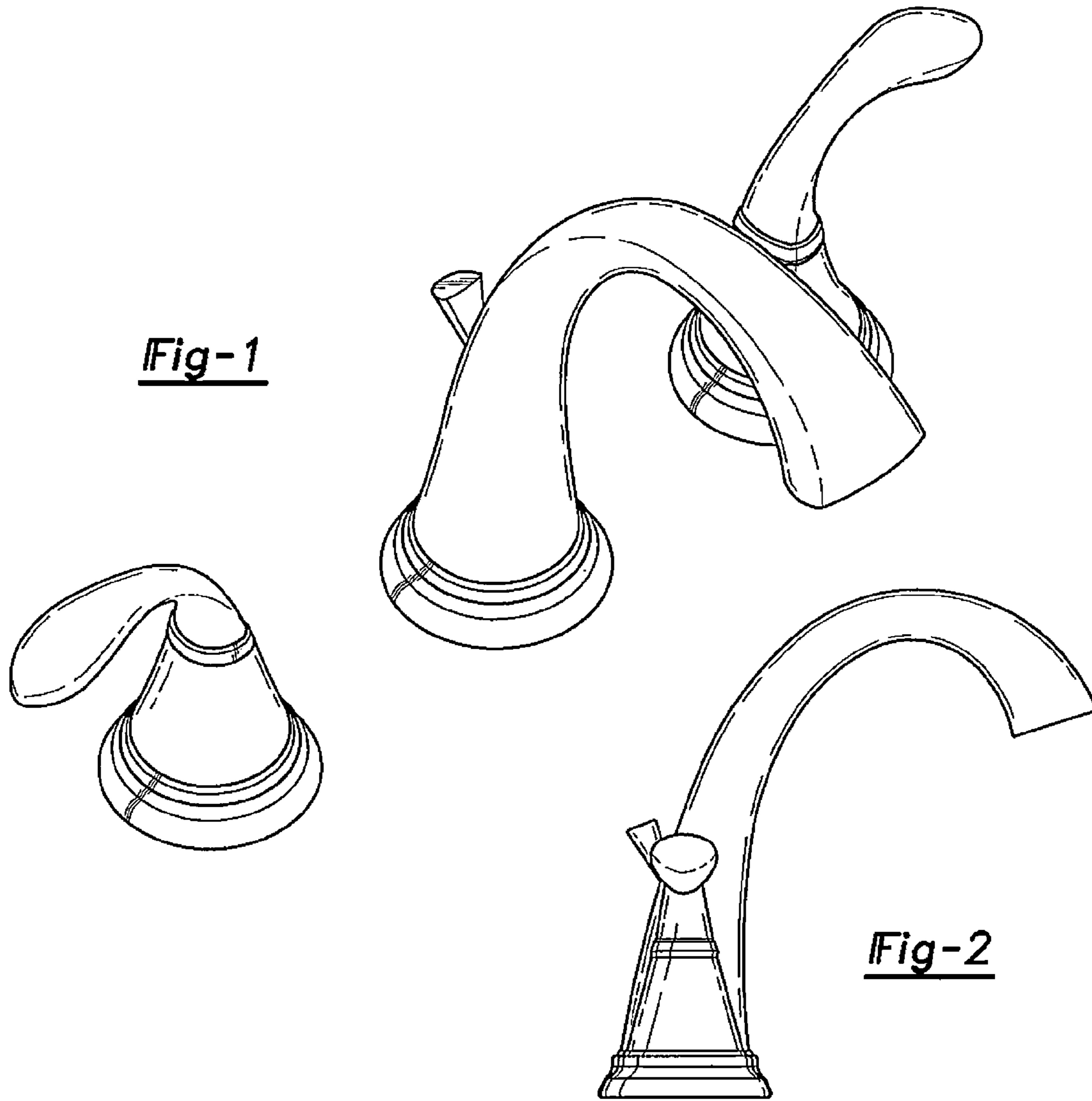


Fig-2

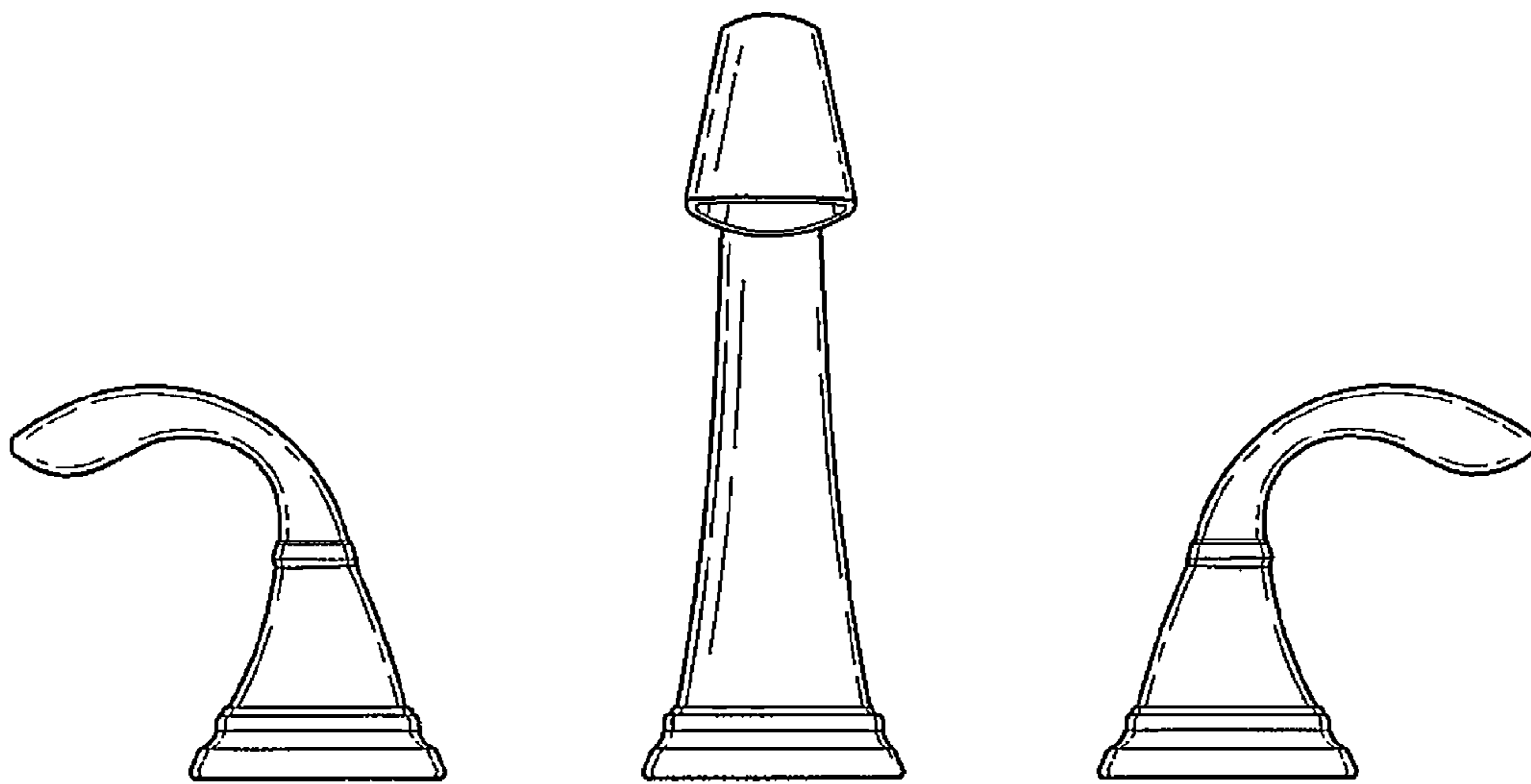


Fig-3

Fig-4

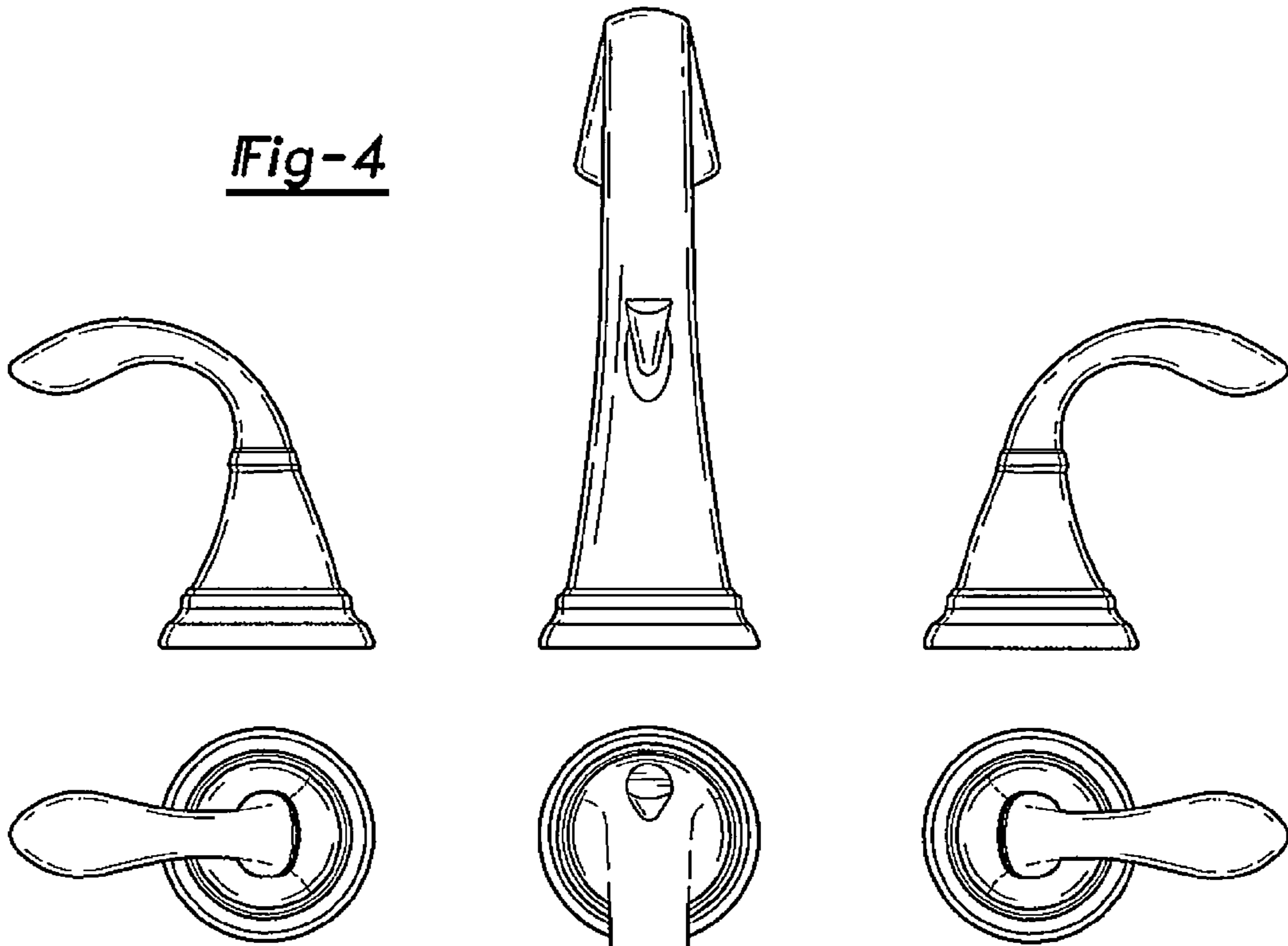


Fig-5

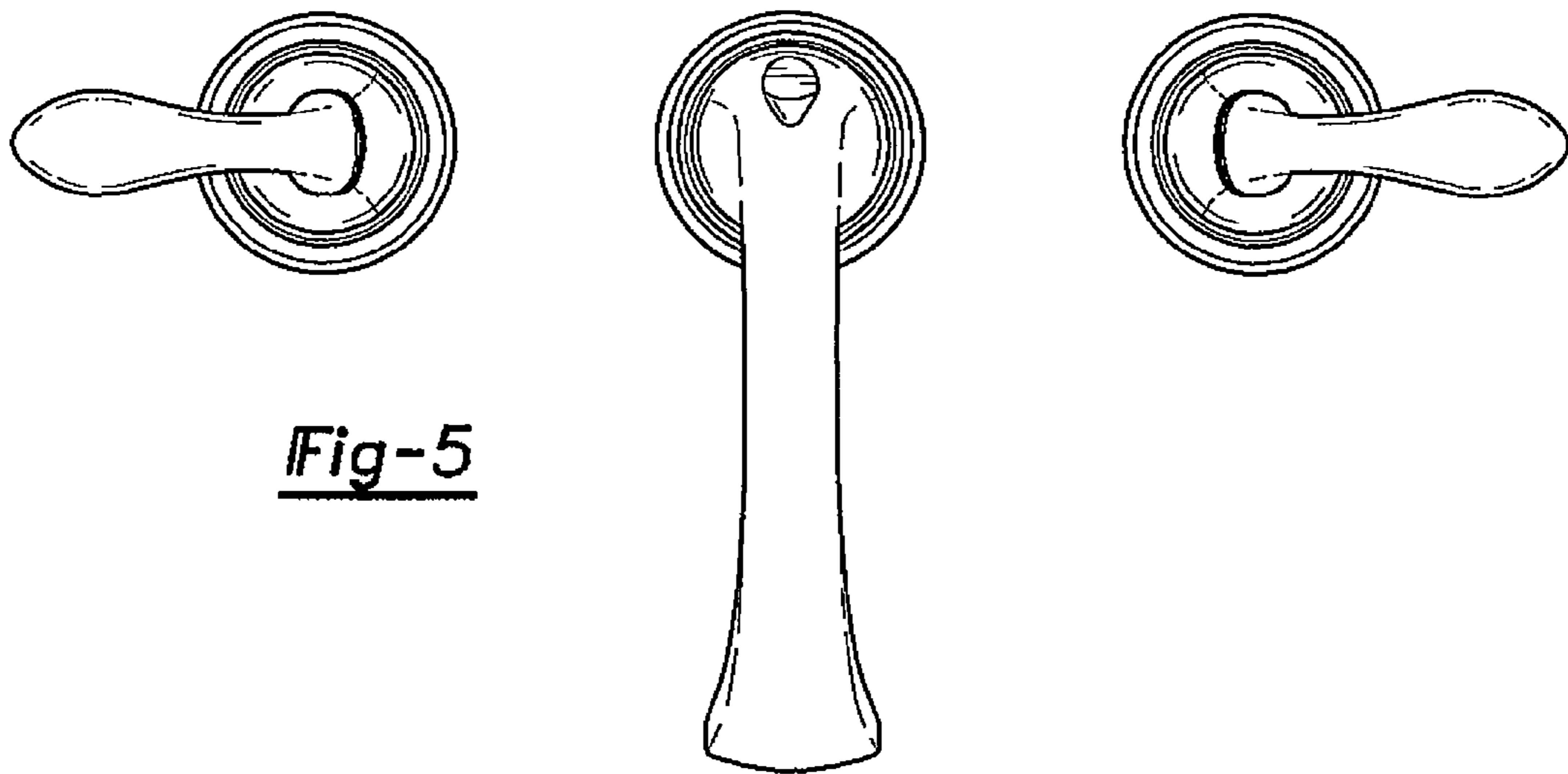


Fig-6

