



US00D680625S

(12) **United States Design Patent**
Romero

(10) **Patent No.:** **US D680,625 S**

(45) **Date of Patent:** **** Apr. 23, 2013**

(54) **FAUCET**

D657,019 S * 4/2012 Padgett D23/242
D666,697 S * 9/2012 Romero D23/252

(75) Inventor: **Emilie Williams Romero**, Chicago, IL
(US)

* cited by examiner

(73) Assignee: **Masco Corporation of Indiana**,
Indianapolis, IN (US)

Primary Examiner — Robert Delehanty

(74) *Attorney, Agent, or Firm* — Edgar A. Zarins; Nirav D.
Parikh; Lora J. Graentzdoerffer

(**) Term: **14 Years**

(21) Appl. No.: **29/412,113**

(57) **CLAIM**

The ornamental design for a faucet, as shown and described.

(22) Filed: **Jan. 31, 2012**

(51) **LOC (9) Cl.** **23-01**

(52) **U.S. Cl.**

USPC **D23/242**

(58) **Field of Classification Search** D23/238,
D23/241–243, 250, 254–255, 257; 4/675–678;
137/801

See application file for complete search history.

DESCRIPTION

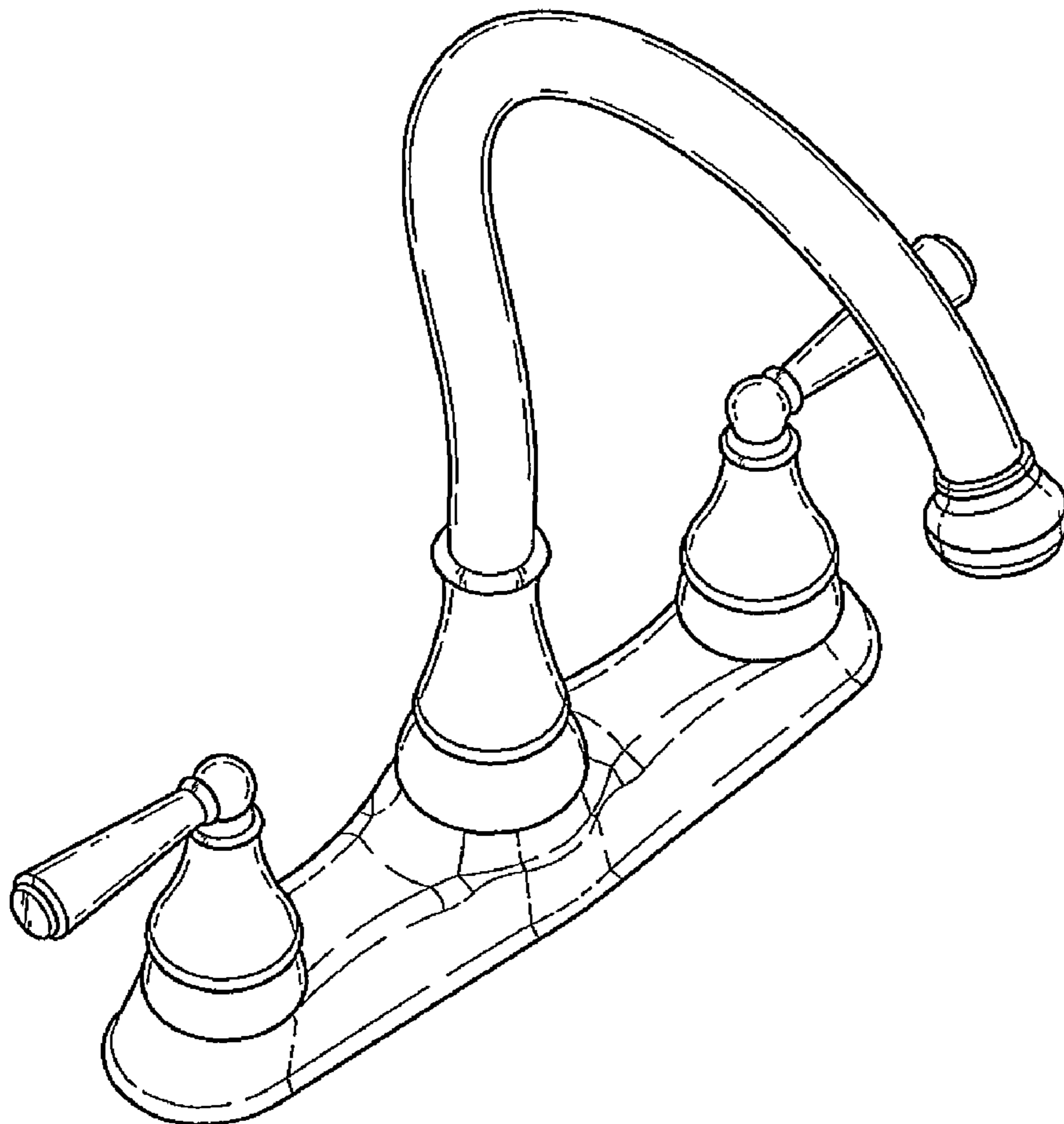
FIG. 1 is a perspective view of a faucet showing my new design;
FIG. 2 is a right side view thereof, the opposite side being a mirror image of the side shown;
FIG. 3 is a front elevational view thereof;
FIG. 4 is a rear view thereof;
FIG. 5 is a top plan view thereof; and,
FIG. 6 is a bottom view thereof.

(56) **References Cited**

U.S. PATENT DOCUMENTS

D529,997 S * 10/2006 Chen D23/241

1 Claim, 2 Drawing Sheets



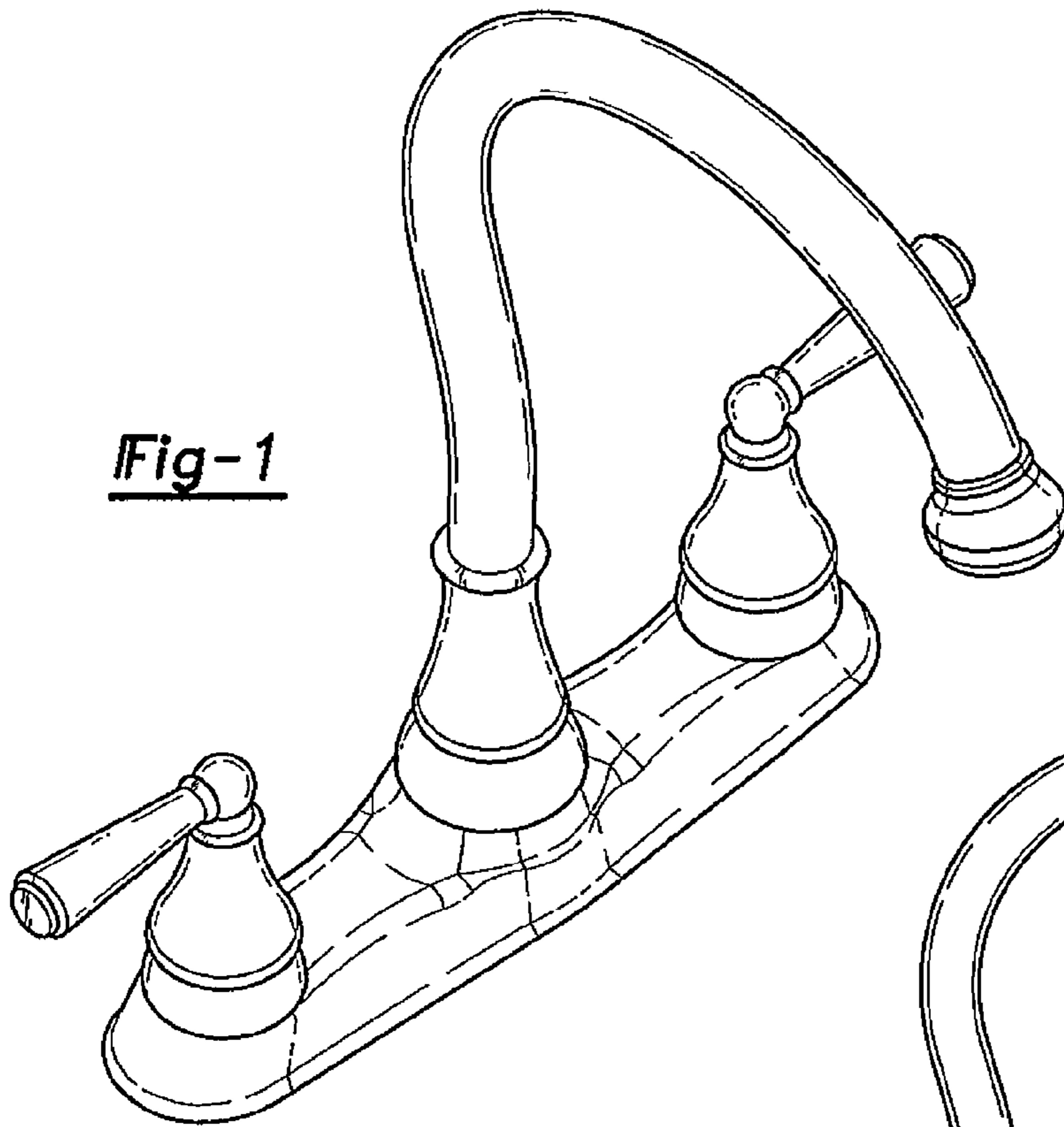


Fig-1

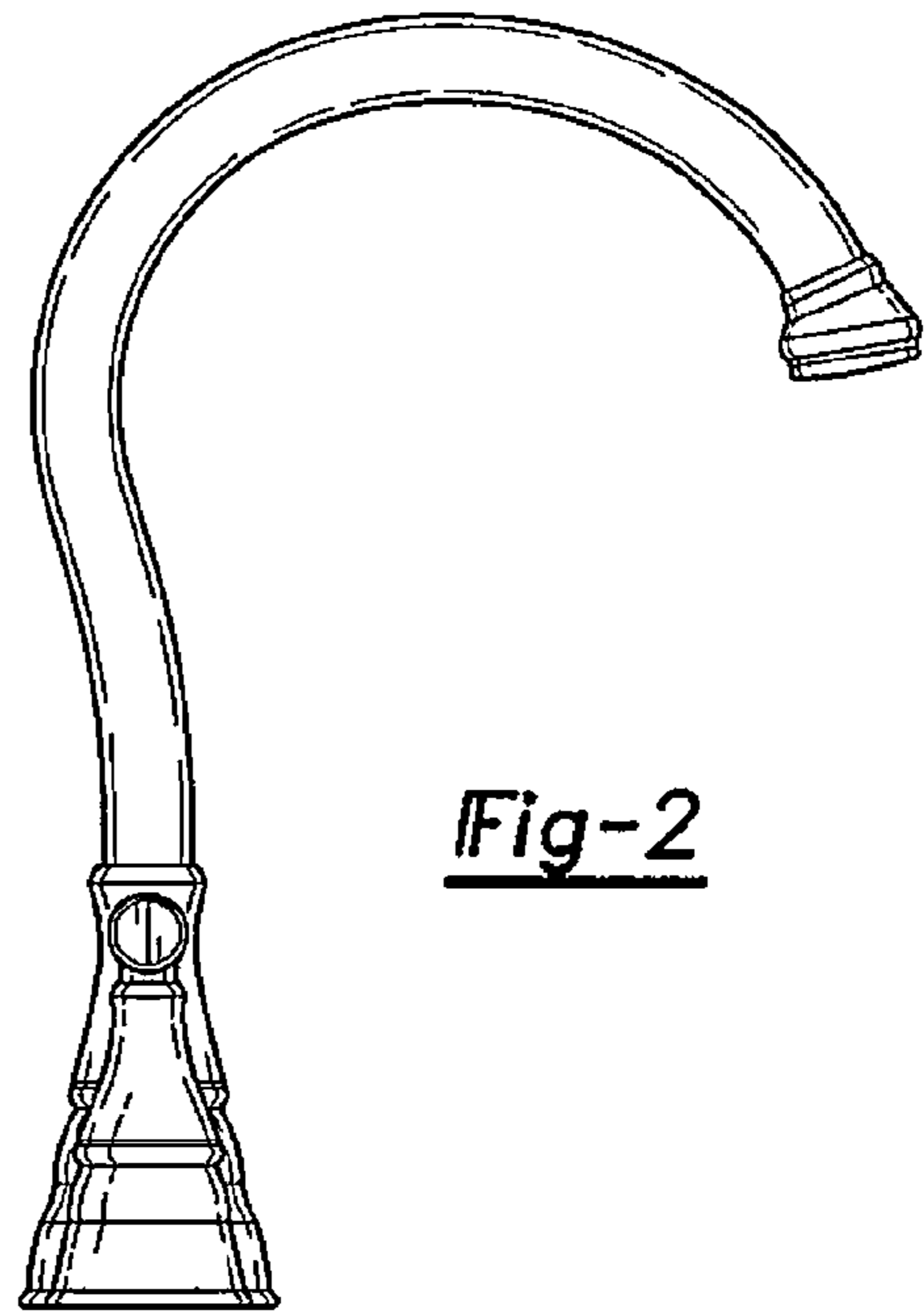


Fig-2

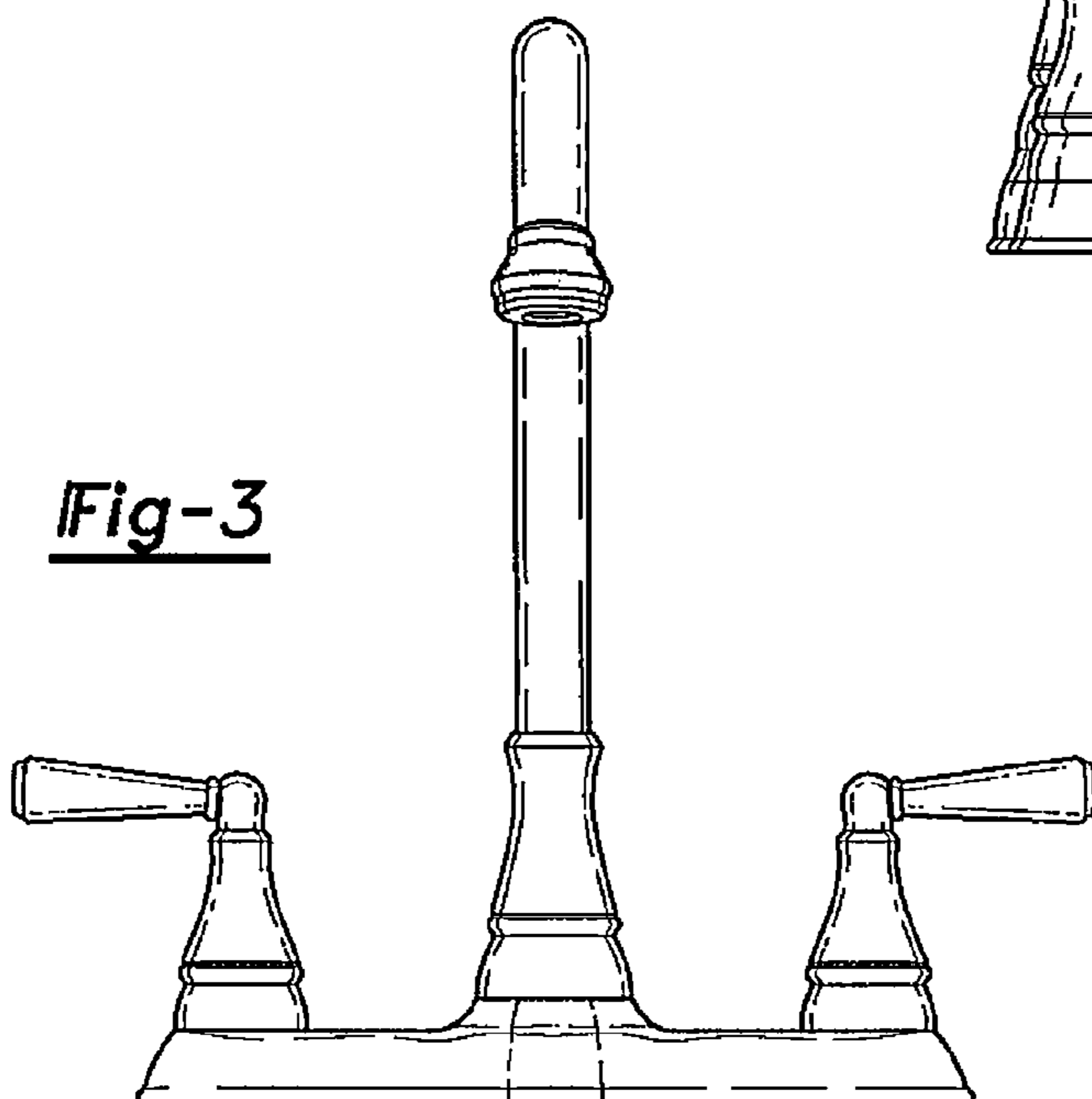


Fig-3

Fig-4

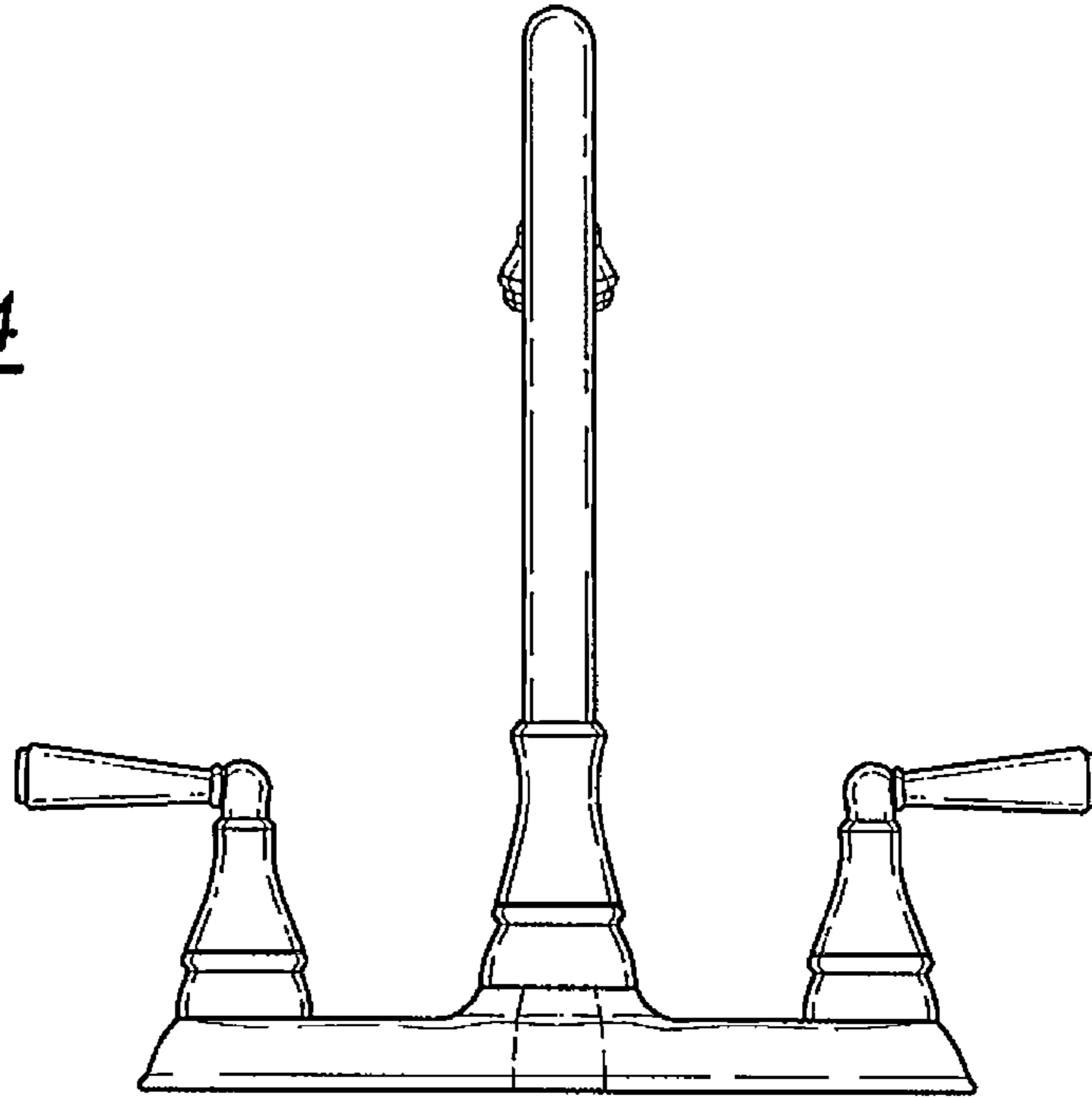


Fig-5

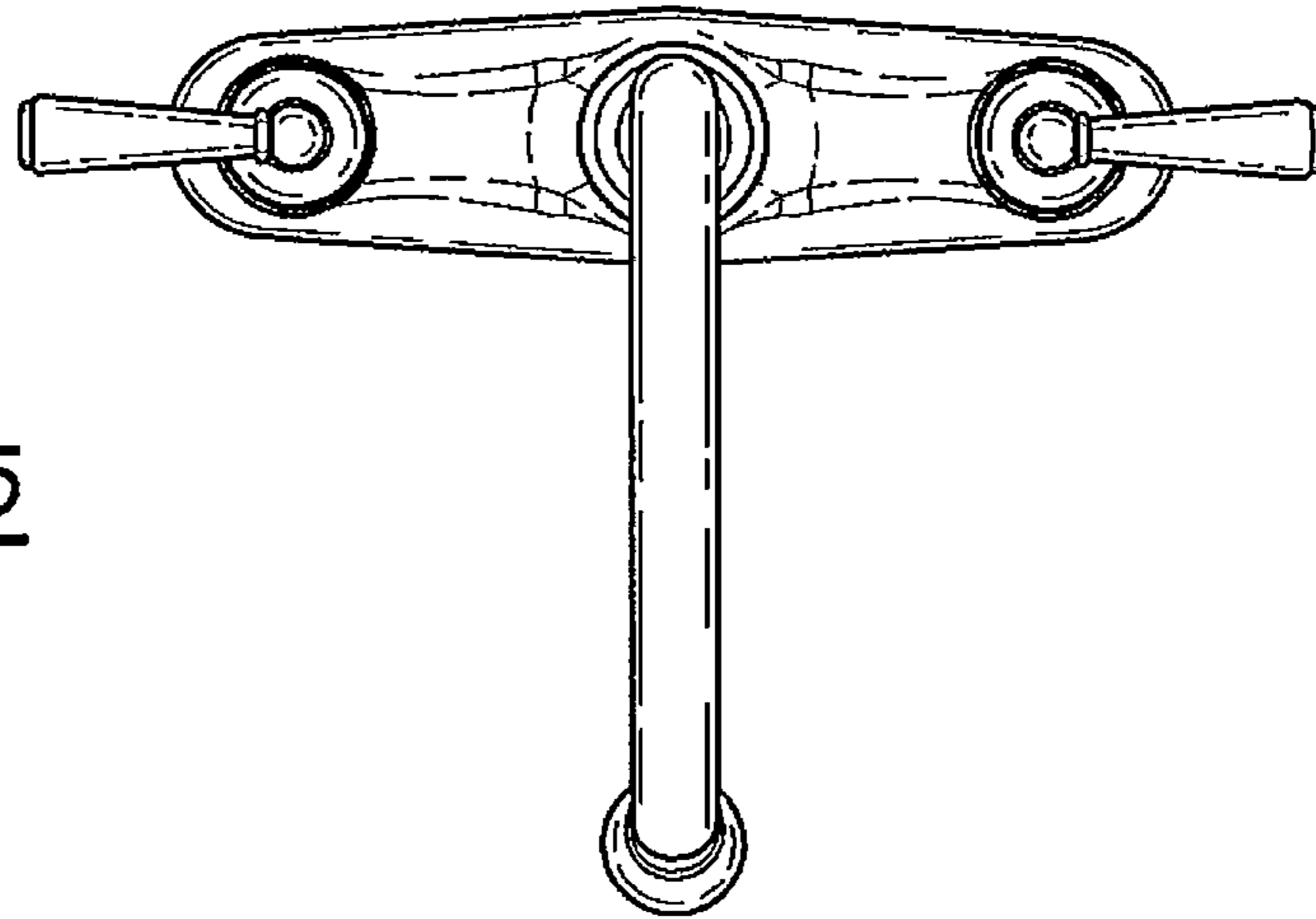


Fig-6

