



US00D680623S

(12) **United States Design Patent**
Kronenbitter

(10) **Patent No.:** **US D680,623 S**

(45) **Date of Patent:** **** Apr. 23, 2013**

(54) **FAUCET**

(75) Inventor: **Bernd Kronenbitter**, Nordrach (DE)

(73) Assignee: **Hansgrohe SE**, Schiltach (DE)

(**) Term: **14 Years**

(21) Appl. No.: **29/414,098**

(22) Filed: **Feb. 24, 2012**

(30) **Foreign Application Priority Data**

Sep. 1, 2011 (EM) 001291595-0003

(51) **LOC (9) Cl.** **23-01**

(52) **U.S. Cl.**
USPC **D23/238**

(58) **Field of Classification Search** D23/238–243,
D23/250, 252, 254–255, 257; 4/675–678;
137/801

See application file for complete search history.

(56) **References Cited**

U.S. PATENT DOCUMENTS

D577,104 S *	9/2008	Latorraca	D23/238
D598,071 S *	8/2009	Lammel et al.	D23/238
D636,061 S *	4/2011	Kulig	D23/238
D649,225 S *	11/2011	Flowers et al.	D23/238

OTHER PUBLICATIONS

Brochure—Armaturen für Bad und Küche 2005, 3 pgs., Damixa Armaturen GmbH, Iserlohn, Germany (at least as early as Mar. 15, 2005).

* cited by examiner

Primary Examiner — Robert Delehanty

(74) *Attorney, Agent, or Firm* — Nirav D. Parikh; Lora J. Graentzdoerffer; Edgar A. Zarins

(57) **CLAIM**

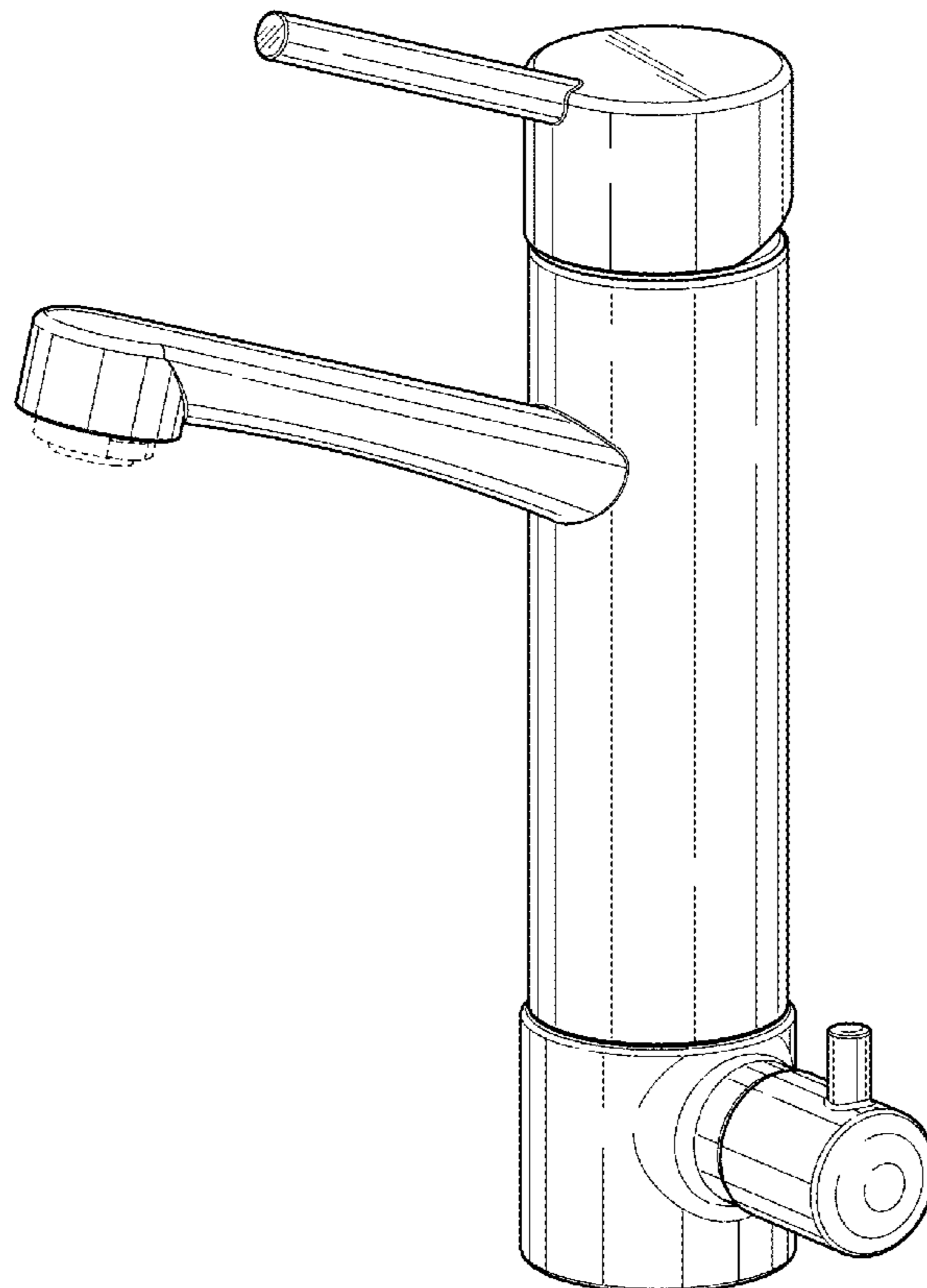
The ornamental design for a faucet, as shown and described.

DESCRIPTION

FIG. 1 is a perspective view of a faucet showing our design; FIG. 2 is a front elevational view thereof; FIG. 3 is a rear elevational view thereof; FIG. 4 is a left side elevational view thereof; FIG. 5 is a right side elevational view thereof; FIG. 6 is a top plan view thereof; and, FIG. 7 is a bottom plan view thereof.

The broken lines in the drawings represent unclaimed portions of the design and form no part of the claimed design.

1 Claim, 7 Drawing Sheets



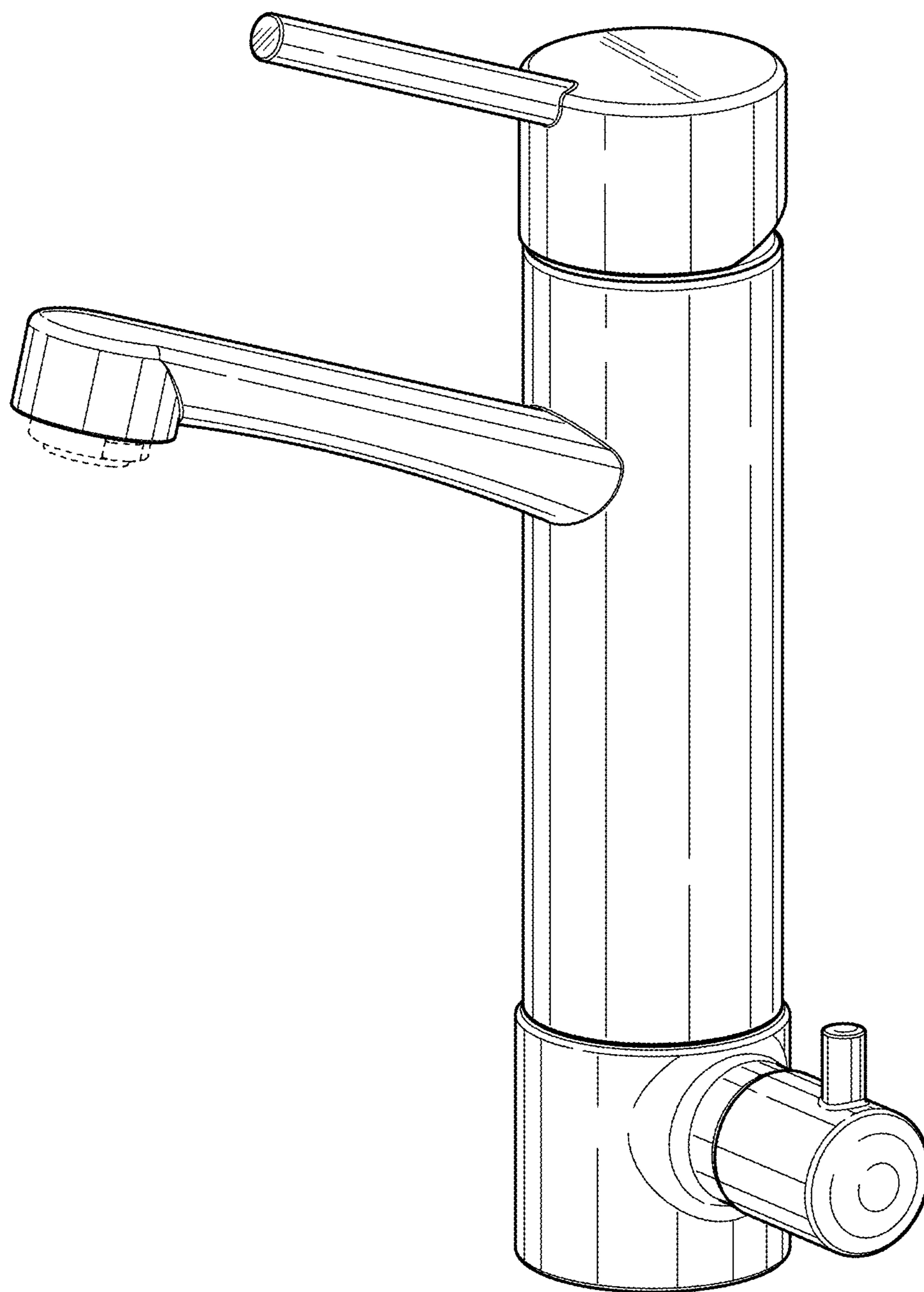


FIG. 1

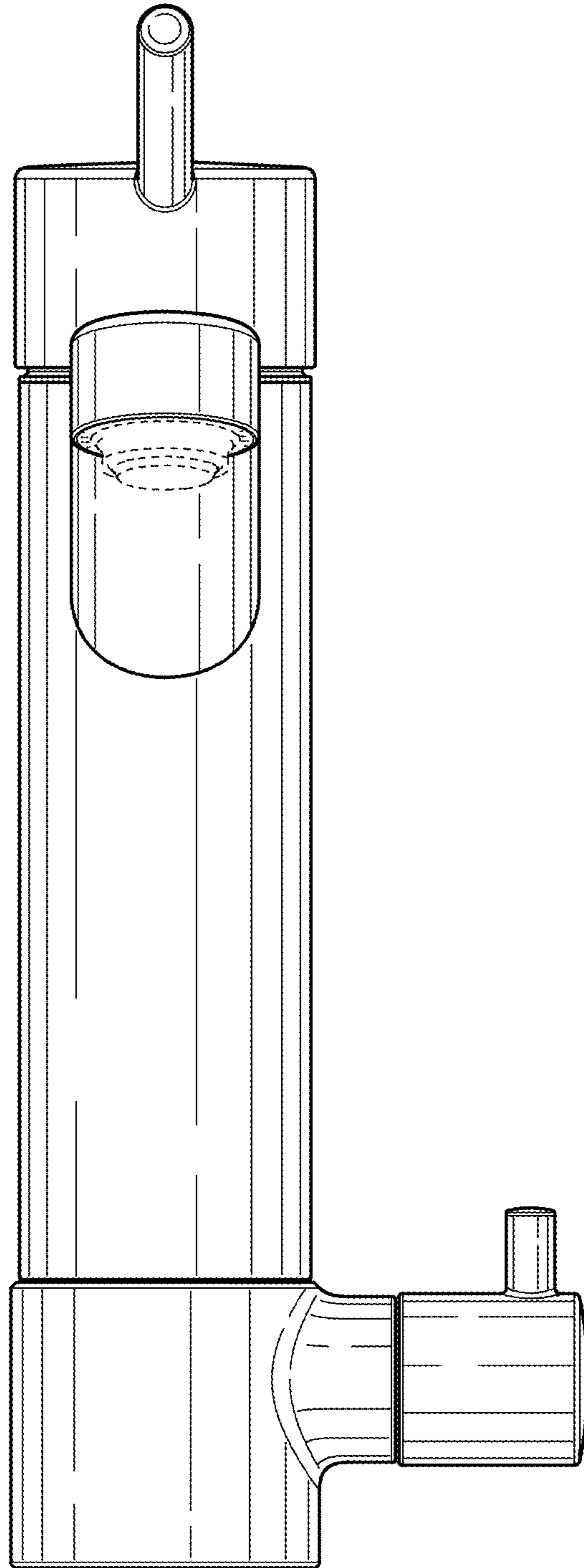


FIG. 2

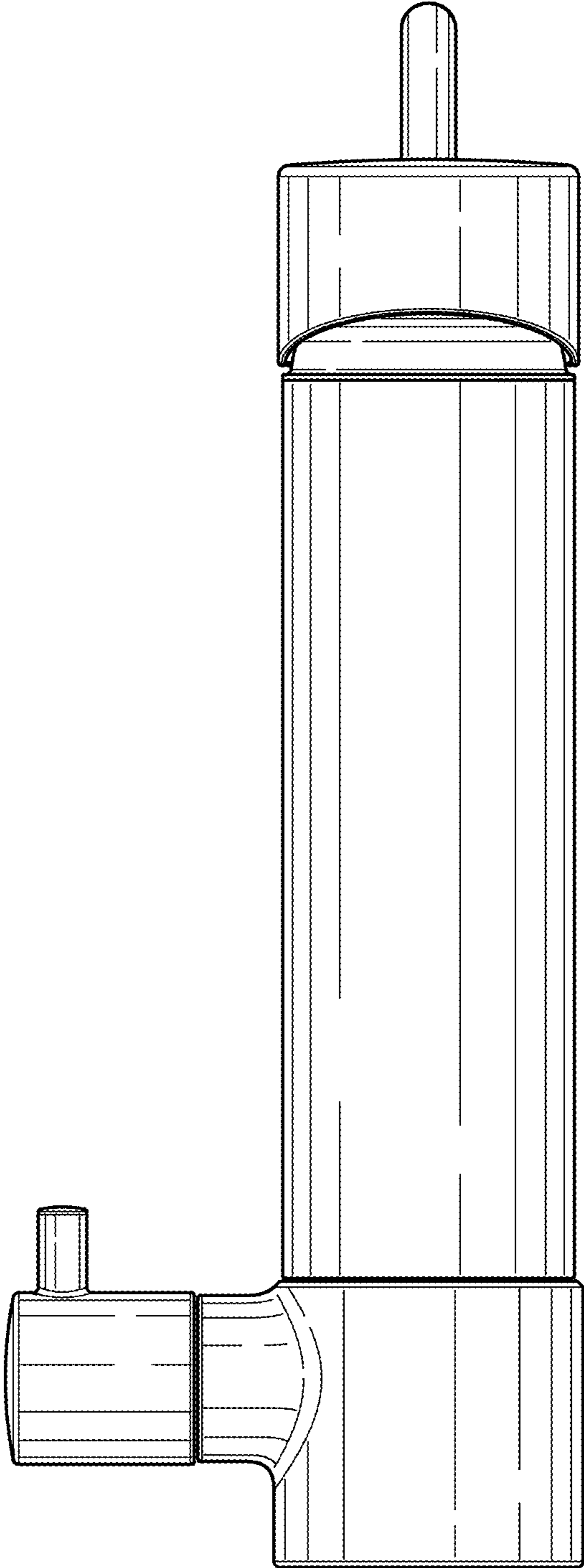


FIG. 3

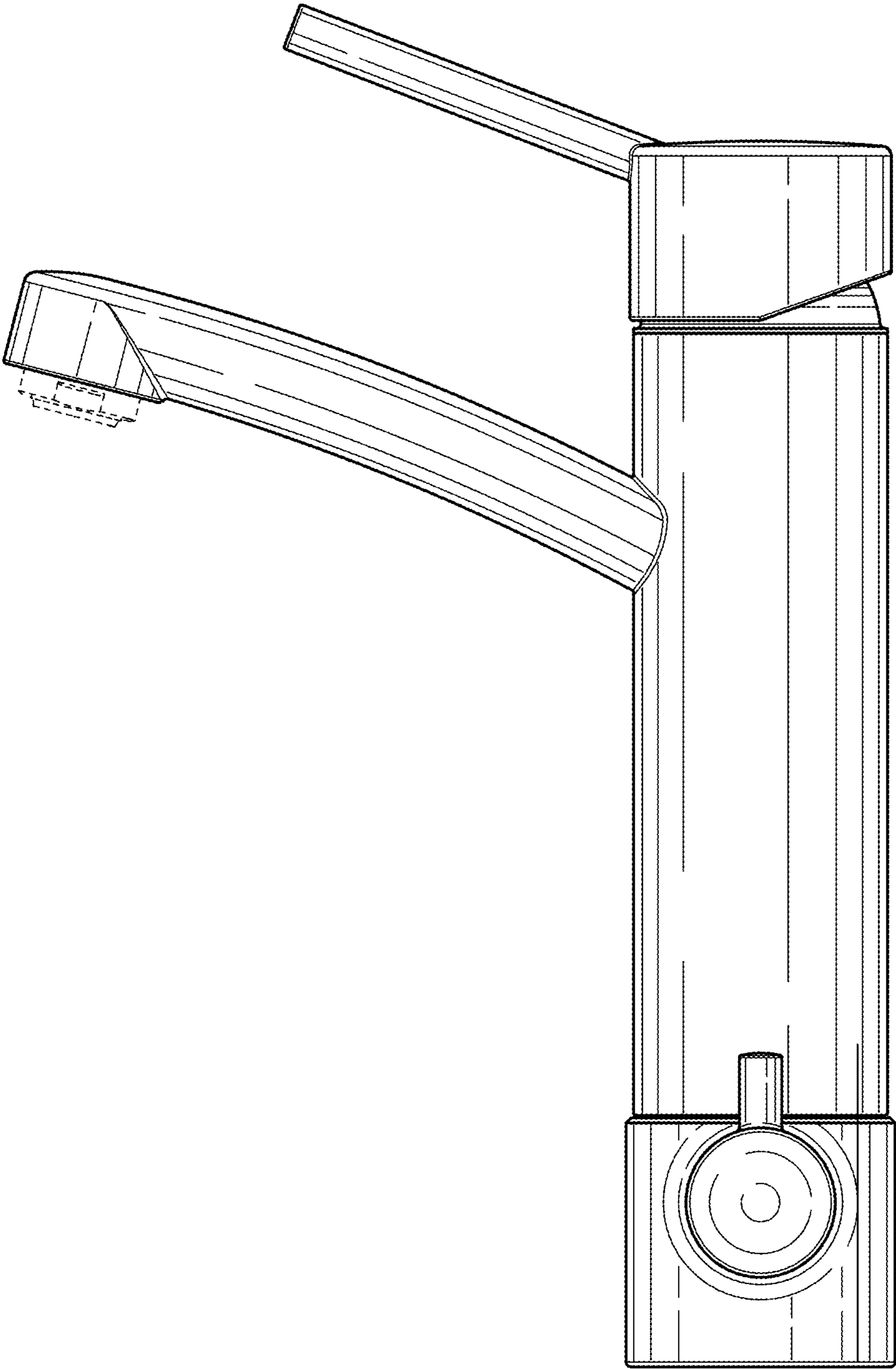


FIG. 4

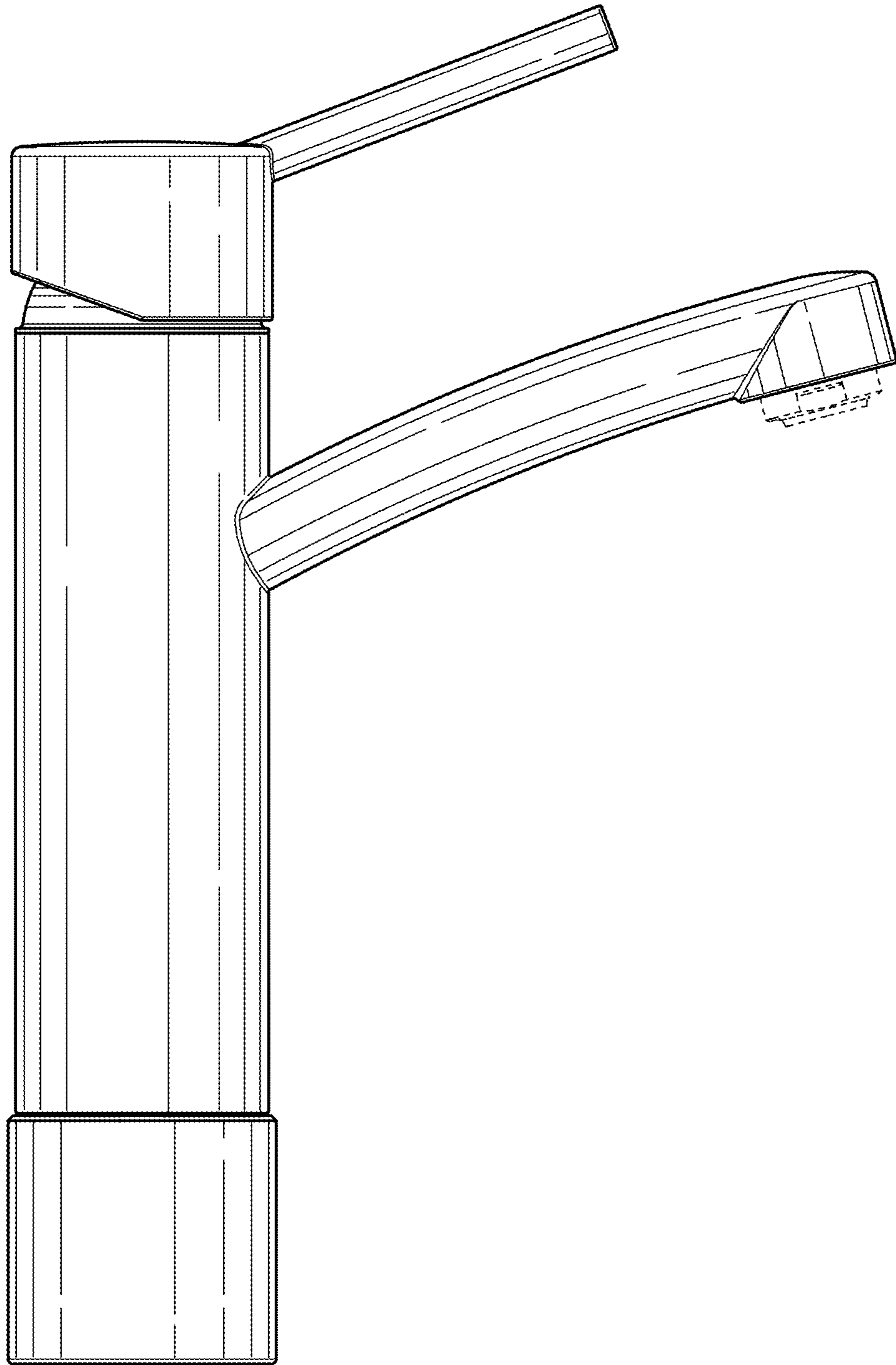


FIG. 5

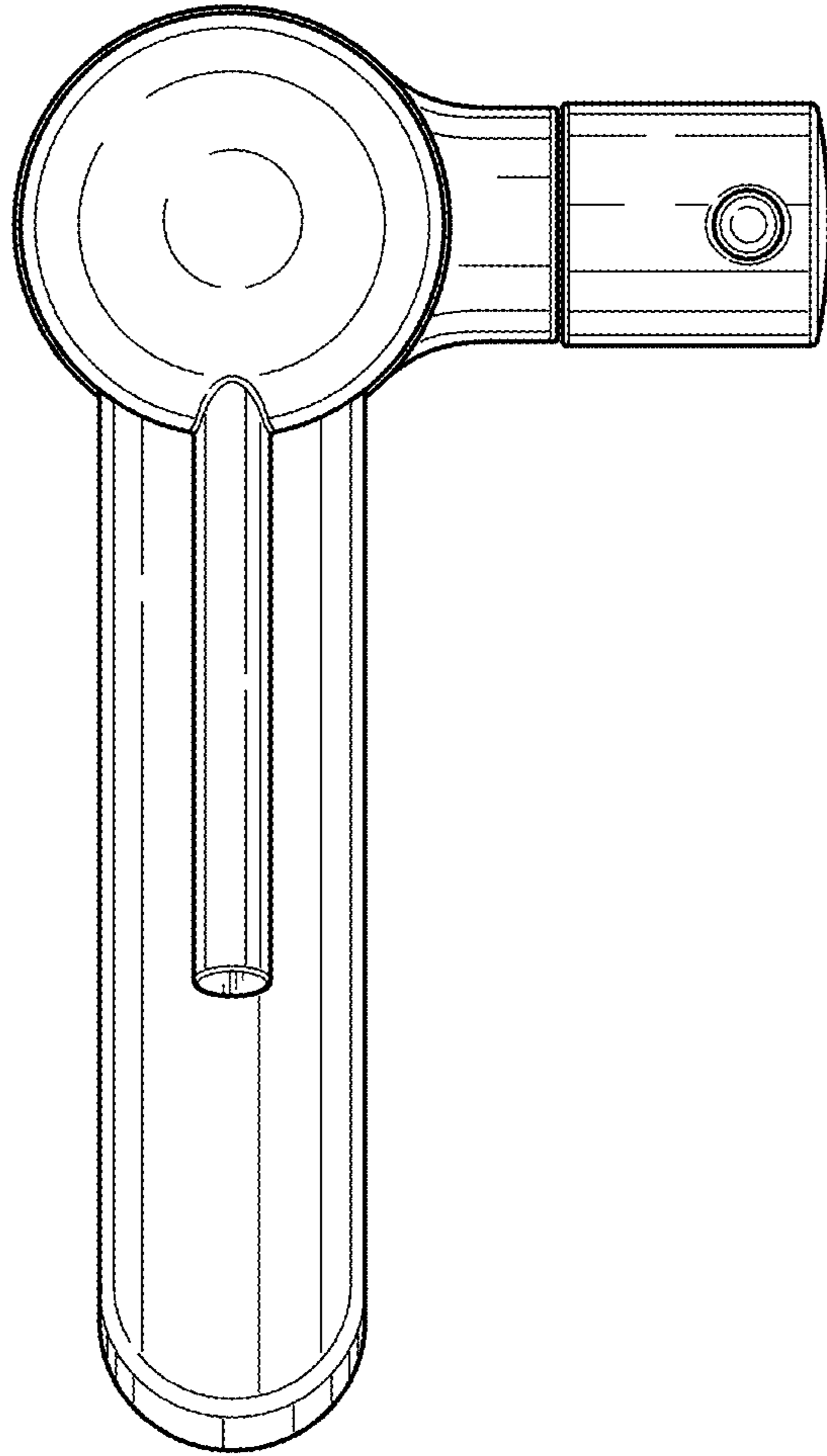


FIG. 6

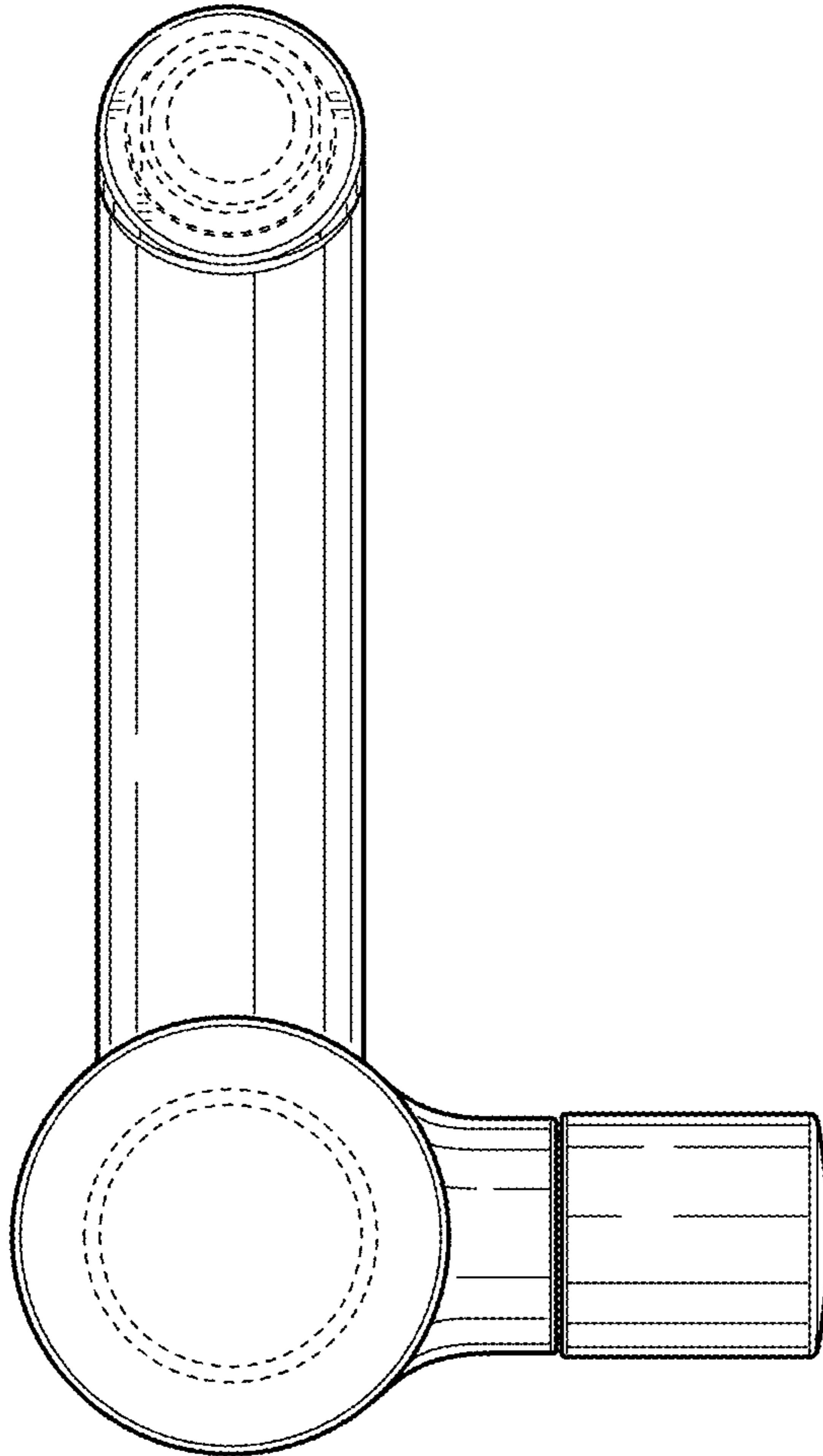


FIG. 7