



US00D680621S

(12) **United States Design Patent**  
**Foster**

(10) **Patent No.:** **US D680,621 S**

(45) **Date of Patent:** **\*\* Apr. 23, 2013**

(54) **VALVE ENCLOSURE**

(75) Inventor: **Geoffrey Frederick Foster**, Glenorie (AU)

(73) Assignee: **Premier-Fosters (Australia) Pty Limited**, Brookvale, New South Wales (AU)

(\*\*) Term: **14 Years**

(21) Appl. No.: **29/387,164**

(22) Filed: **Mar. 9, 2011**

(30) **Foreign Application Priority Data**

Sep. 9, 2010 (AU) ..... 13931/2010

(51) **LOC (9) Cl.** ..... **23-01**

(52) **U.S. Cl.**  
USPC ..... **D23/233**

(58) **Field of Classification Search** ..... D23/233-237;  
251/174, 315.14, 315.1

See application file for complete search history.

(56) **References Cited**

U.S. PATENT DOCUMENTS

2,988,320 A *	6/1961	Preben .....	251/174
D398,372 S *	9/1998	Barnes .....	D23/233
7,681,865 B2 *	3/2010	Furnival .....	251/315.14
D623,268 S *	9/2010	Parsons et al. ....	D23/233
D631,944 S *	2/2011	Karmel et al. ....	D23/233

\* cited by examiner

*Primary Examiner* — Robin V Webster

(74) *Attorney, Agent, or Firm* — Kilpatrick Townsend & Stockton LLP

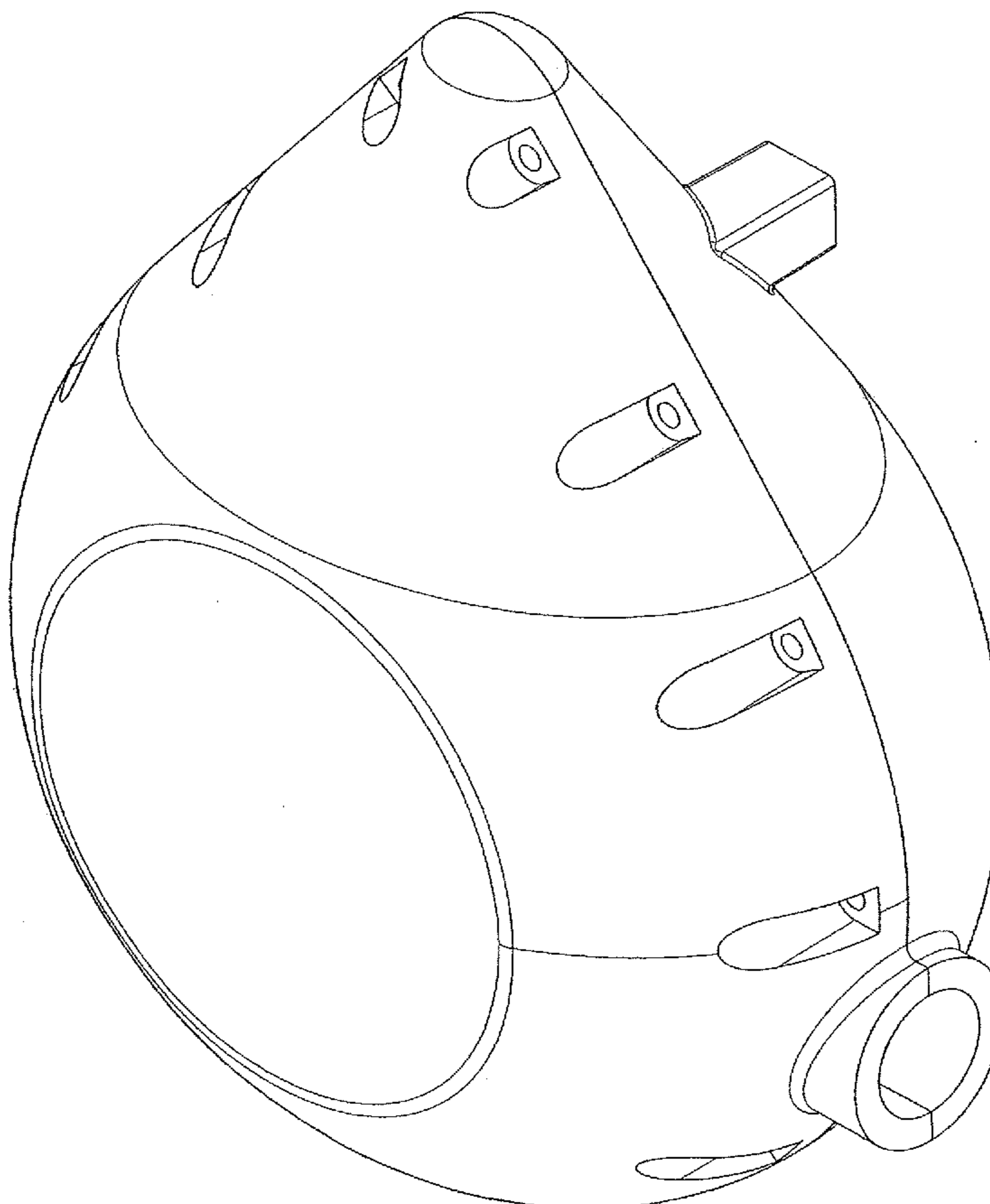
(57) **CLAIM**

The ornamental design for a valve enclosure, as shown and described.

**DESCRIPTION**

FIG. 1 is a perspective view of my new design for a valve enclosure;  
FIG. 2 is a front view of my design;  
FIG. 3 is a side view thereof; and,  
FIG. 4 is a top view thereof.

**1 Claim, 4 Drawing Sheets**



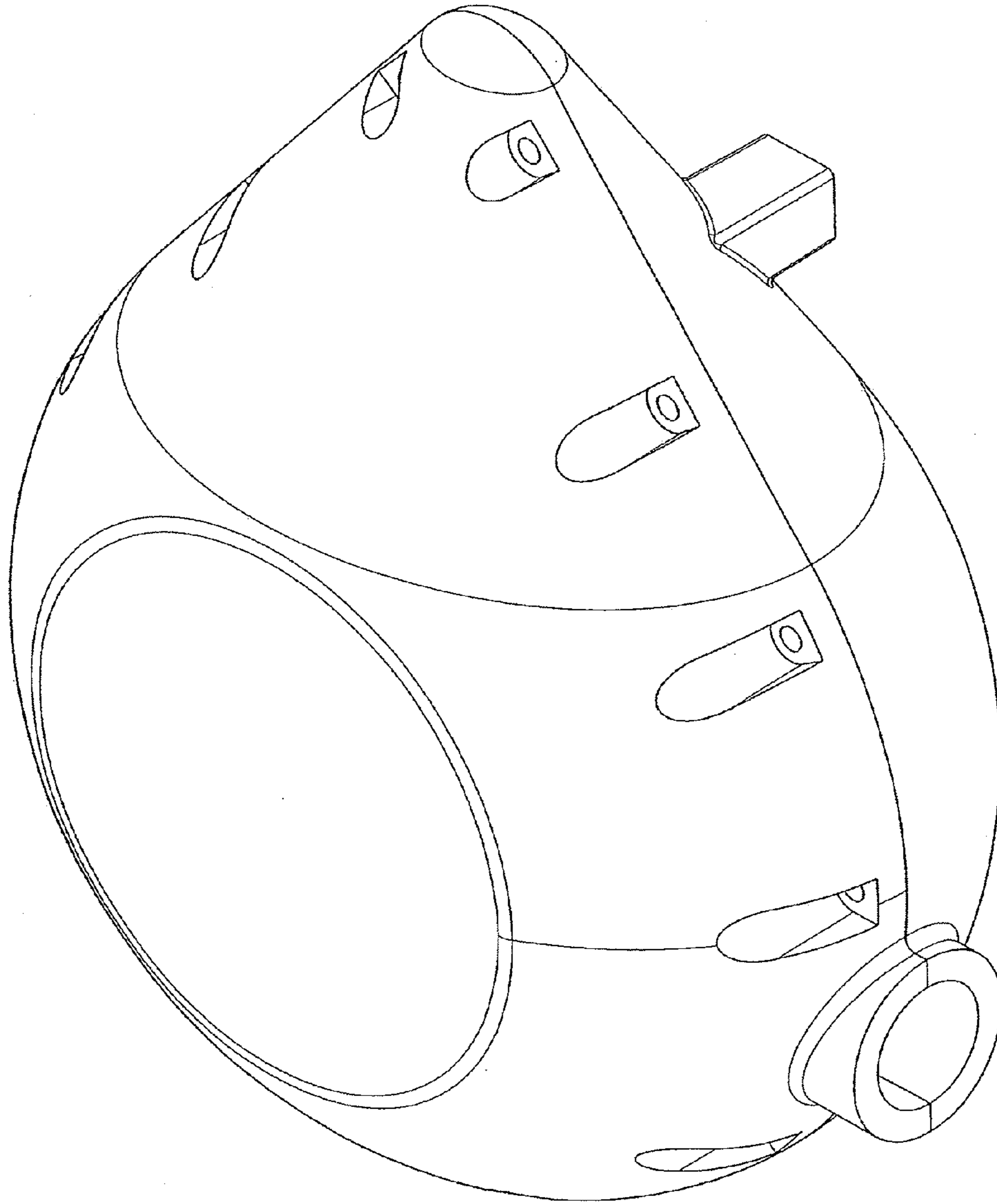


Fig. 1

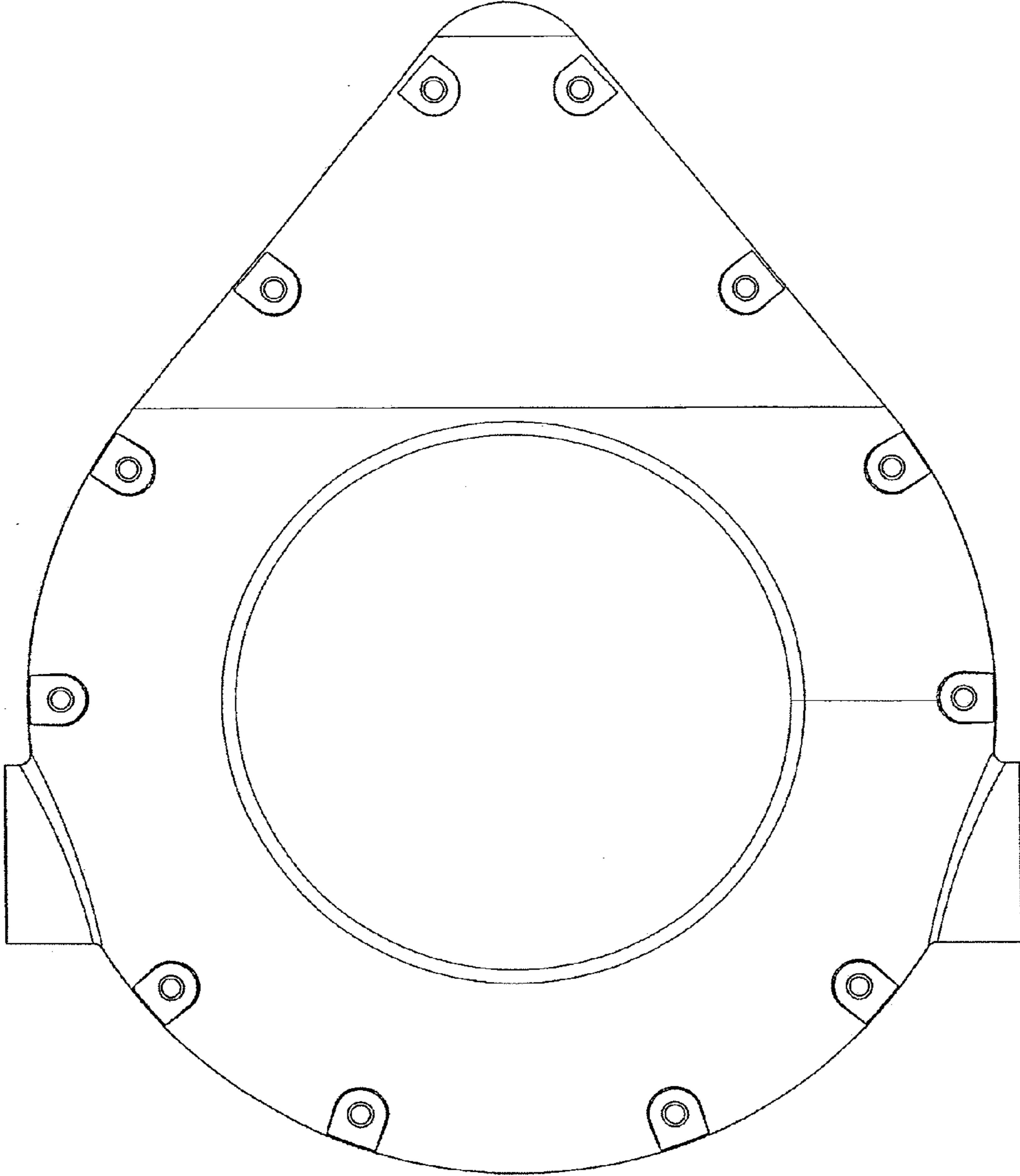


Fig. 2

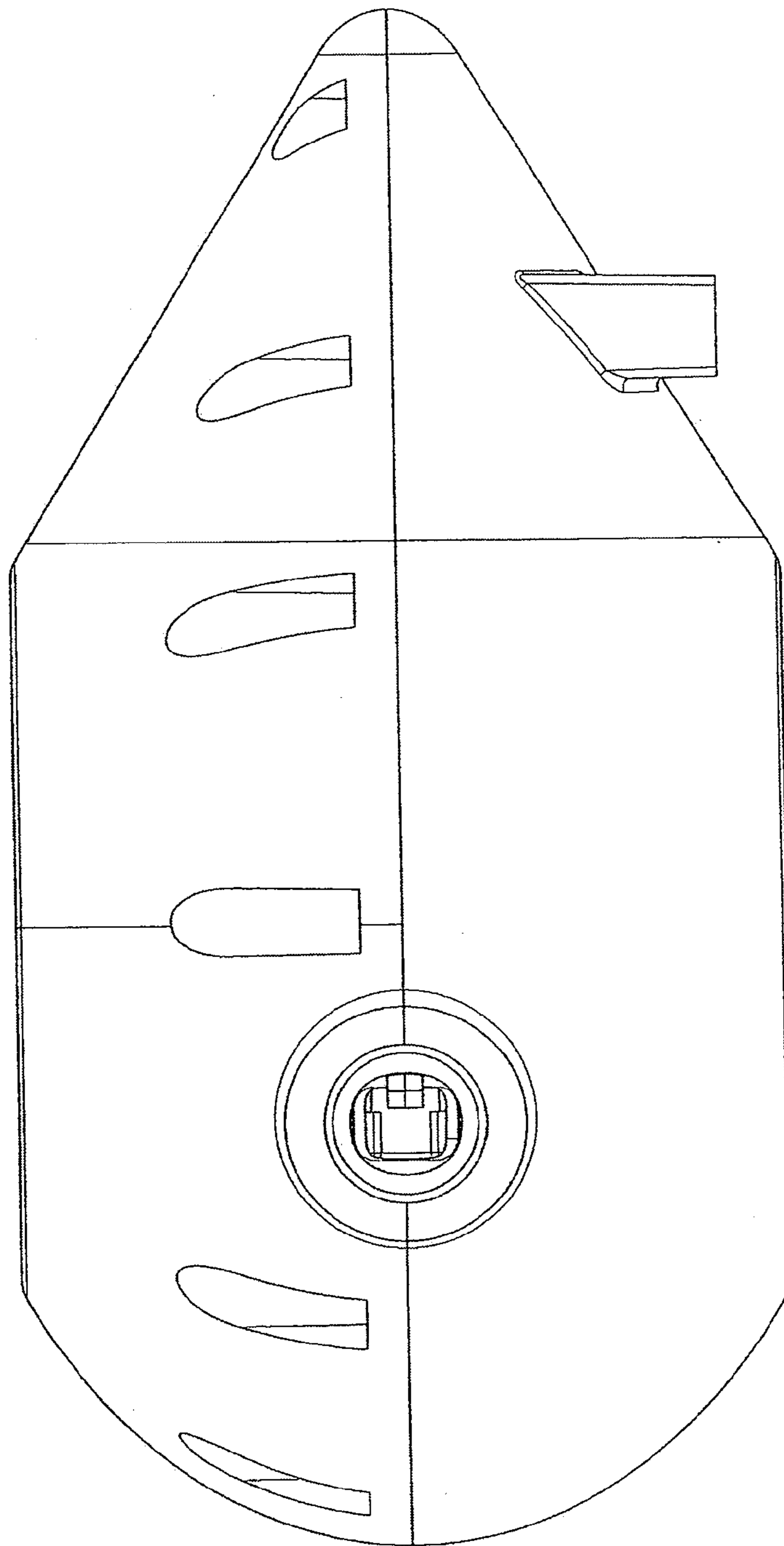


Fig. 3

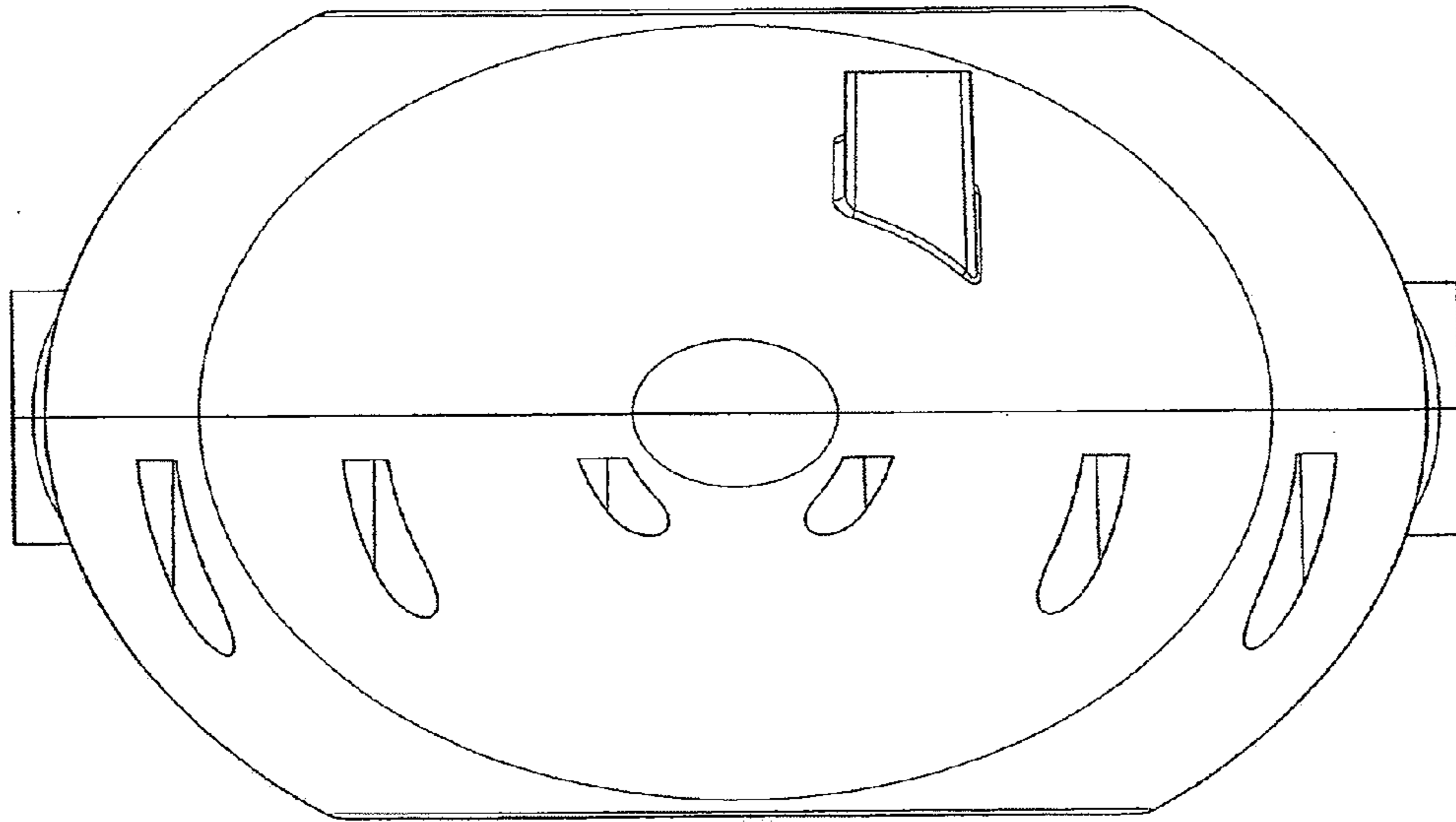


Fig. 4