



US00D680620S

(12) **United States Design Patent**
Fontaine

(10) **Patent No.:** **US D680,620 S**
(45) **Date of Patent:** **** Apr. 23, 2013**

- (54) **PUMP AND TANK ASSEMBLY FOR A HAND-OPERATED SPRAYER**
- (75) Inventor: **James R. Fontaine**, Marilla, NY (US)
- (73) Assignee: **Chapin Manufacturing, Inc.**, Batavia, NY (US)
- (**) Term: **14 Years**
- (21) Appl. No.: **29/421,717**
- (22) Filed: **Sep. 10, 2012**

- D489,792 S 5/2004 Chen
- D490,299 S 5/2004 Byron
- 6,953,133 B2 10/2005 Englhard et al.
- 7,032,841 B1 4/2006 Swisher
- D529,806 S 10/2006 Cummings
- 7,134,612 B2 * 11/2006 Bertucci et al. 239/304
- D557,140 S 12/2007 Voight et al.
- D581,805 S 12/2008 Suxdorf
- D604,385 S 11/2009 Fontaine
- D605,250 S * 12/2009 Weiss et al. D23/225

OTHER PUBLICATIONS

C'Mere Deer Sprayer, C'Mere Deer, 2008.

* cited by examiner

Primary Examiner — Robin V Webster

(74) *Attorney, Agent, or Firm* — Kenneth J. Lukacher Law Group

- Related U.S. Application Data**
- (62) Division of application No. 29/348,206, filed on Dec. 9, 2009, now Pat. No. Des. 669,965.
 - (51) **LOC (9) Cl.** **23-01**
 - (52) **U.S. Cl.**
USPC **D23/225**
 - (58) **Field of Classification Search** D23/213,
D23/225, 223; 239/302, 308, 332, 333, 337,
239/DIG. 14; 222/383.1
See application file for complete search history.

(57) **CLAIM**

The ornamental design of a pump and tank assembly for a hand-operated sprayer, as shown and described.

DESCRIPTION

FIG. 1 is a perspective view from the front of a pump and tank assembly for a hand-operated sprayer showing the pump handle withdrawn upwardly;

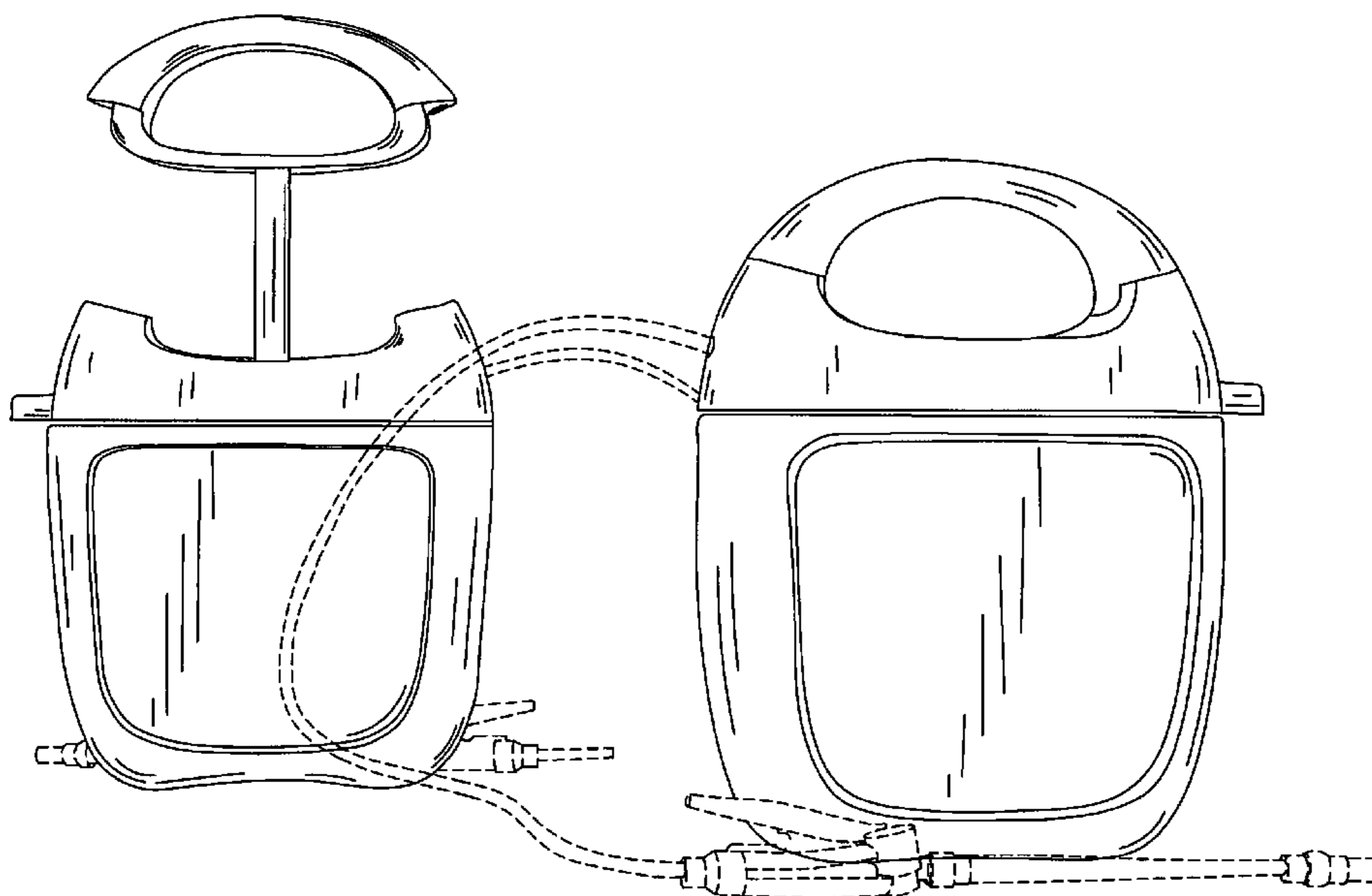
FIG. 2 is a perspective view from the back showing my design, but with the pump handle depressed so that the handle is flush with the tank, wherein the hose and nozzle wand is not part of my design in both FIGS. 1 and 2; and,

FIG. 3 is a perspective view similar to FIG. 2 looking from the left showing my design.

The broken line showing of the hose and nozzle wand is included for the purpose of illustrating and forms no part of the claimed design.

1 Claim, 2 Drawing Sheets

- (56) **References Cited**
- U.S. PATENT DOCUMENTS
- D296,813 S 7/1988 Ellison
 - D328,422 S 8/1992 Fuchs et al.
 - D334,705 S 4/1993 Ferreira et al.
 - D336,845 S 6/1993 Carroll et al.
 - D343,577 S 1/1994 Proctor
 - D347,788 S 6/1994 Steijns et al.
 - D356,036 S 3/1995 Hoyt
 - D366,926 S 2/1996 McGinnity et al.
 - D386,572 S 11/1997 Radtke et al.
 - D433,624 S 11/2000 Negre
 - D466,402 S 12/2002 Cummings et al.
 - D477,783 S 7/2003 Gilmore et al.



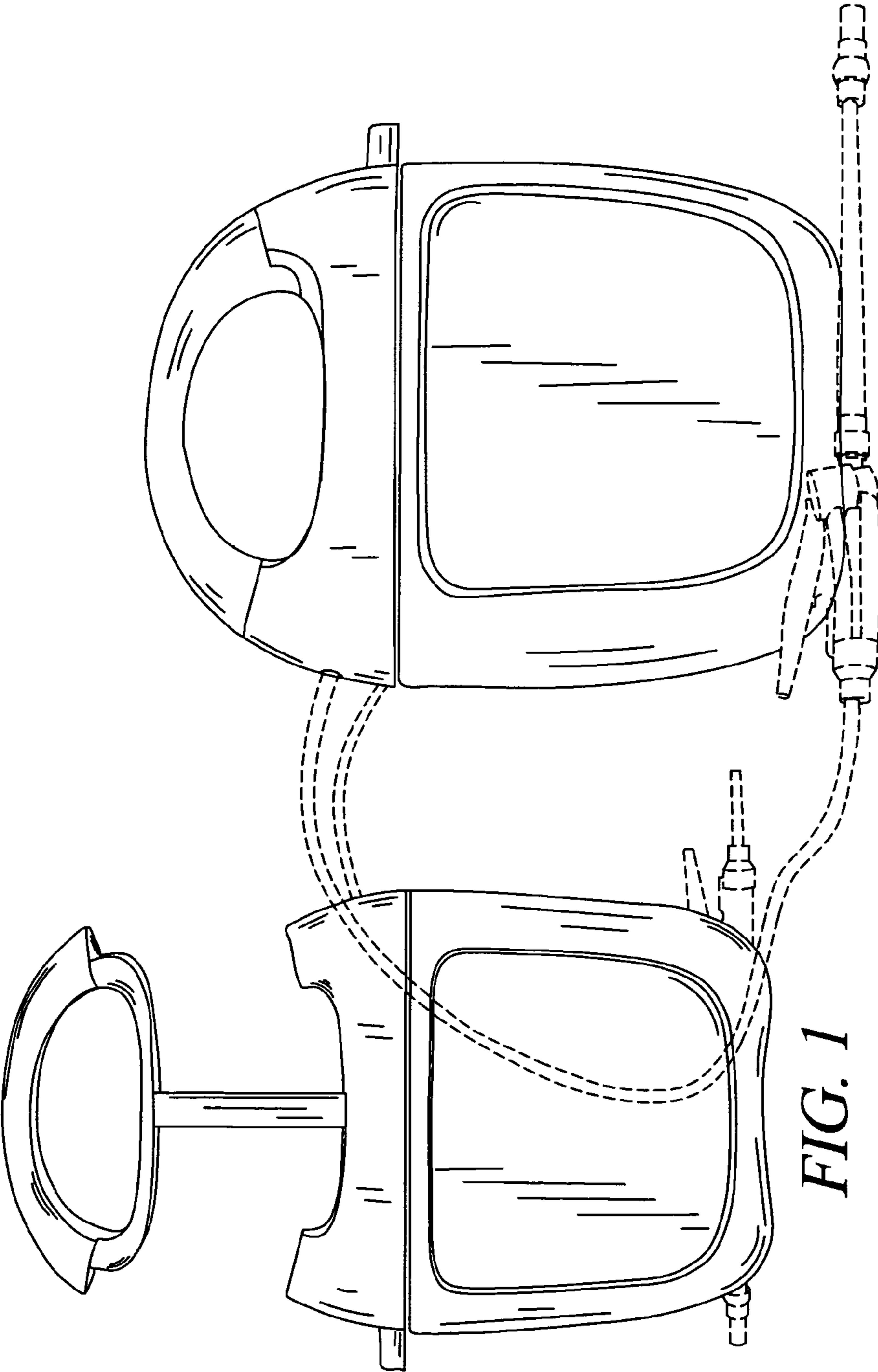


FIG. 2

FIG. 1

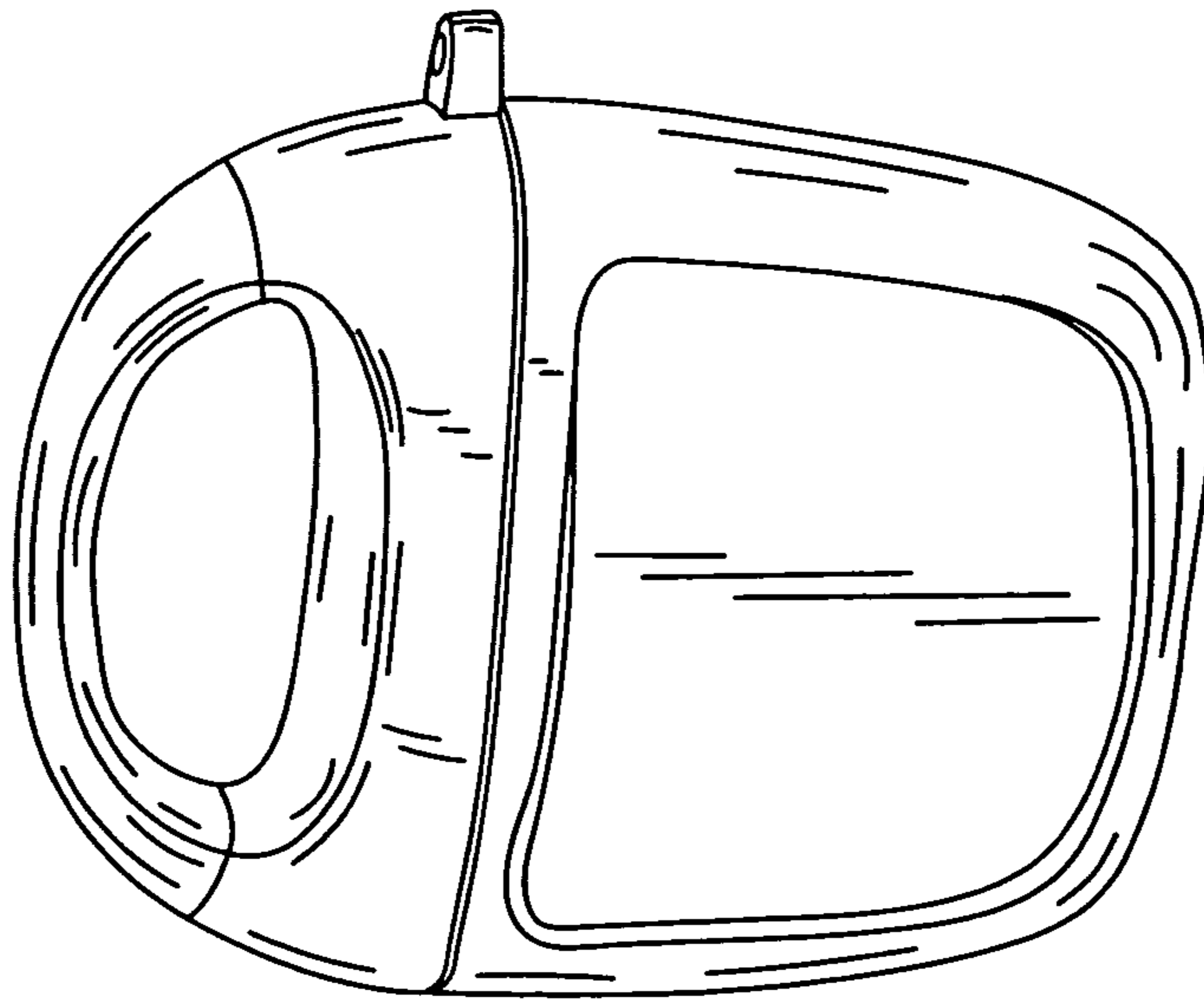


FIG. 3