



US00D680615S

(12) **United States Design Patent**
Cornelious

(10) **Patent No.:** **US D680,615 S**

(45) **Date of Patent:** **** Apr. 23, 2013**

(54) **FISH HOOK REMOVAL DEVICE**

(76) Inventor: **Lucien B Cornelious**, St. Petersburg, FL
(US)

(**) Term: **14 Years**

(21) Appl. No.: **29/432,289**

(22) Filed: **Sep. 14, 2012**

(51) **LOC (9) Cl.** **22-05**

(52) **U.S. Cl.**
USPC **D22/149**

(58) **Field of Classification Search** D22/149,
D22/134, 199; 43/17.2, 53.5; D8/2, 18,
D8/40

See application file for complete search history.

(56) **References Cited**

U.S. PATENT DOCUMENTS

| | | | | |
|-----------|-----|---------|----------|---------|
| 2,695,471 | A | 11/1954 | Imberti | |
| 2,777,244 | A | 1/1957 | McKinley | |
| 2,828,574 | A * | 4/1958 | Metzger | 43/53.5 |
| 3,039,223 | A * | 6/1962 | Pavek | 43/17.2 |
| 3,713,243 | A | 1/1973 | Tetzner | |
| 4,882,871 | A | 11/1989 | Marina | |

| | | | | |
|----------|-----|---------|-----------|---------|
| D397,406 | S * | 8/1998 | Koblegard | D22/149 |
| D443,334 | S * | 6/2001 | Duncan | D22/149 |
| D451,167 | S * | 11/2001 | Metteer | D22/149 |
| D465,256 | S * | 11/2002 | Wilcock | D22/149 |
| D518,869 | S * | 4/2006 | Thomley | D22/149 |

FOREIGN PATENT DOCUMENTS

GB 884521 12/1961

* cited by examiner

Primary Examiner — Catheri Oliver-Garcia

(74) *Attorney, Agent, or Firm* — Thomas Frost

(57) **CLAIM**

The ornamental design for a fish hook removal device, as shown and described.

DESCRIPTION

FIG. 1 is a top plan view of a fish hook removal device showing my new design;

FIG. 2 is a bottom plan view thereof;

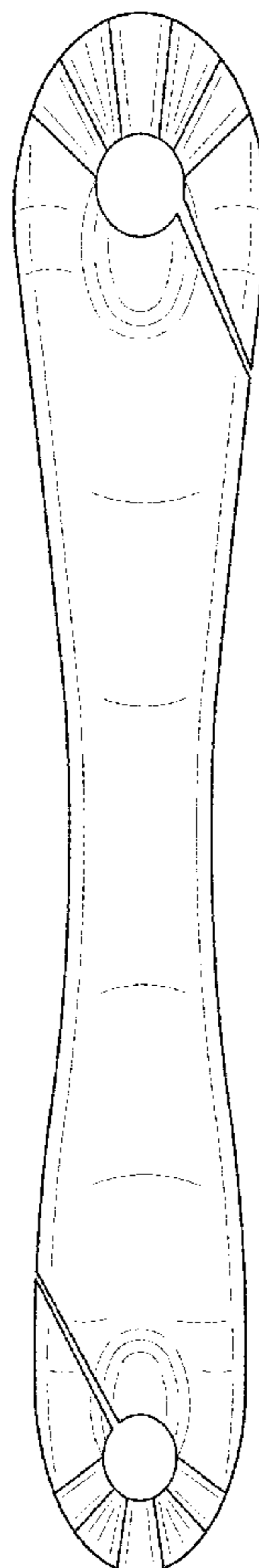
FIG. 3 is a left side elevational view thereof;

FIG. 4 is a right side elevational view thereof;

FIG. 5 is a rear elevational view thereof; and,

FIG. 6 is a front elevational view thereof.

1 Claim, 2 Drawing Sheets



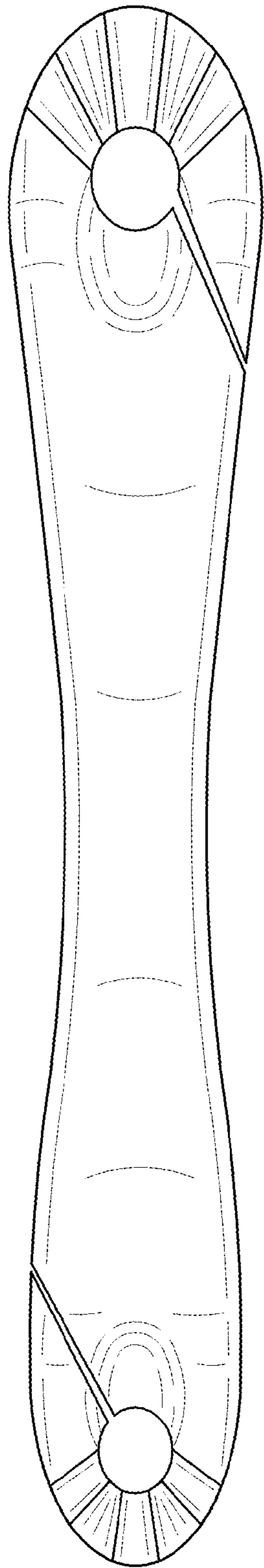


FIG. 1

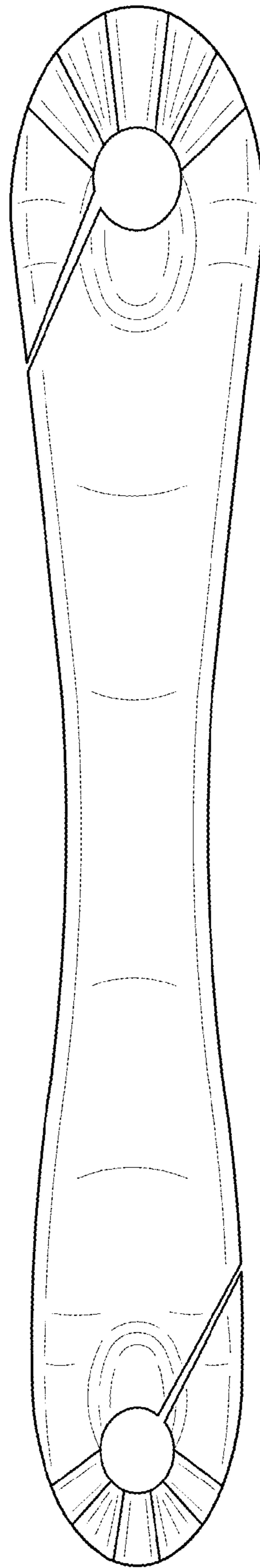


FIG. 2

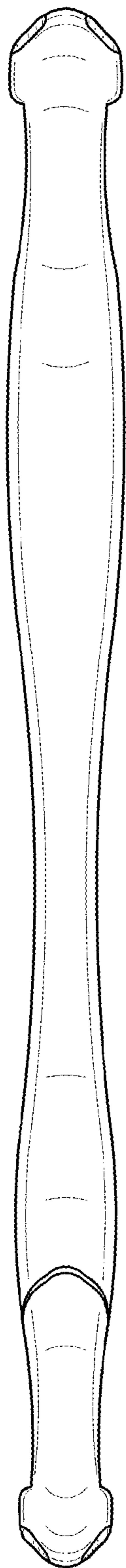


FIG. 3

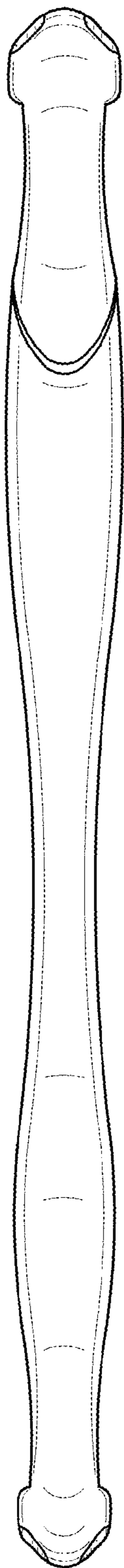


FIG. 4

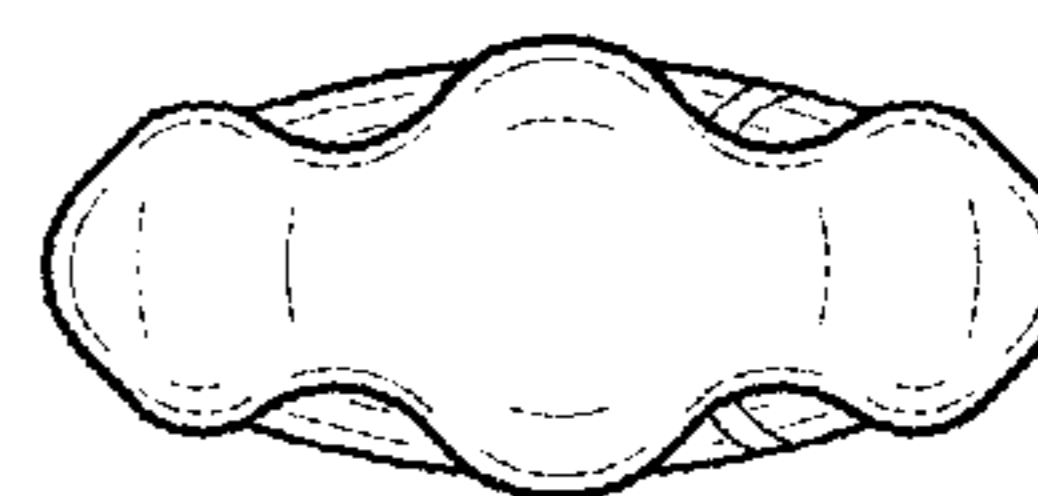


FIG. 5

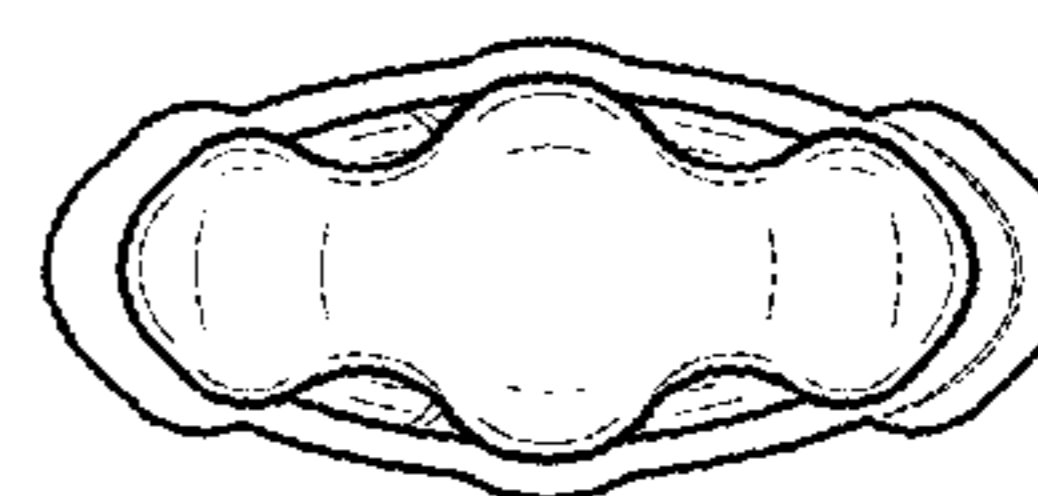


FIG. 6