



US00D680613S

(12) **United States Design Patent**  
**Fitzpatrick et al.**

(10) **Patent No.:** **US D680,613 S**  
(45) **Date of Patent:** **\*\* Apr. 23, 2013**

(54) **BOTTOM PLATE FOR A FIREARM  
MAGAZINE**

D633,590 S 3/2011 Fitzpatrick  
7,958,660 B2 \* 6/2011 Fitzpatrick et al. .... 42/50  
D642,647 S \* 8/2011 Fitzpatrick et al. .... D22/108  
8,061,255 B1 \* 11/2011 Boberg ..... 89/33.1

(75) Inventors: **Richard Fitzpatrick**, Longmont, CO  
(US); **Michael T. Mayberry**, Denver,  
CO (US); **Brian Nakayama**, Arvada, CO  
(US)

(Continued)

(73) Assignee: **Magpul Industries Corporation**, Erie,  
CO (US)

**OTHER PUBLICATIONS**

Brownells\_2012\_AR15-M16\_20-30-Round\_Magazines  
Brownells (2012) AR-15/M16 20- & 30-Round Magazines; Website  
[Online] Available Web Site: [http://www.brownells.com/.aspx/  
pid=21225/Product/AR-15-M16-20-30-ROUND-MAGAZINES](http://www.brownells.com/.aspx/pid=21225/Product/AR-15-M16-20-30-ROUND-MAGAZINES);  
Last Update: unknown; Accessed on May 4, 2012.

(\*\*) Term: **14 Years**

(Continued)

(21) Appl. No.: **29/410,972**

*Primary Examiner* — Michael A Pratt

(22) Filed: **Jan. 13, 2012**

(74) *Attorney, Agent, or Firm* — Swanson & Bratschun,  
L.L.C.

(51) **LOC (9) Cl.** ..... **22-01**

(52) **U.S. Cl.**  
USPC ..... **D22/108**

(58) **Field of Classification Search** ..... D22/108;  
362/110; 124/45, 66, 67, 74; 89/33.1, 40.06,  
89/37.04, 33.04, 191.01; 42/6, 7, 49.01–49.02,  
42/50, 49.1; D21/572–573

(57) **CLAIM**

The ornamental design for a bottom plate for a firearm maga-  
zine, as shown and described.

See application file for complete search history.

**DESCRIPTION**

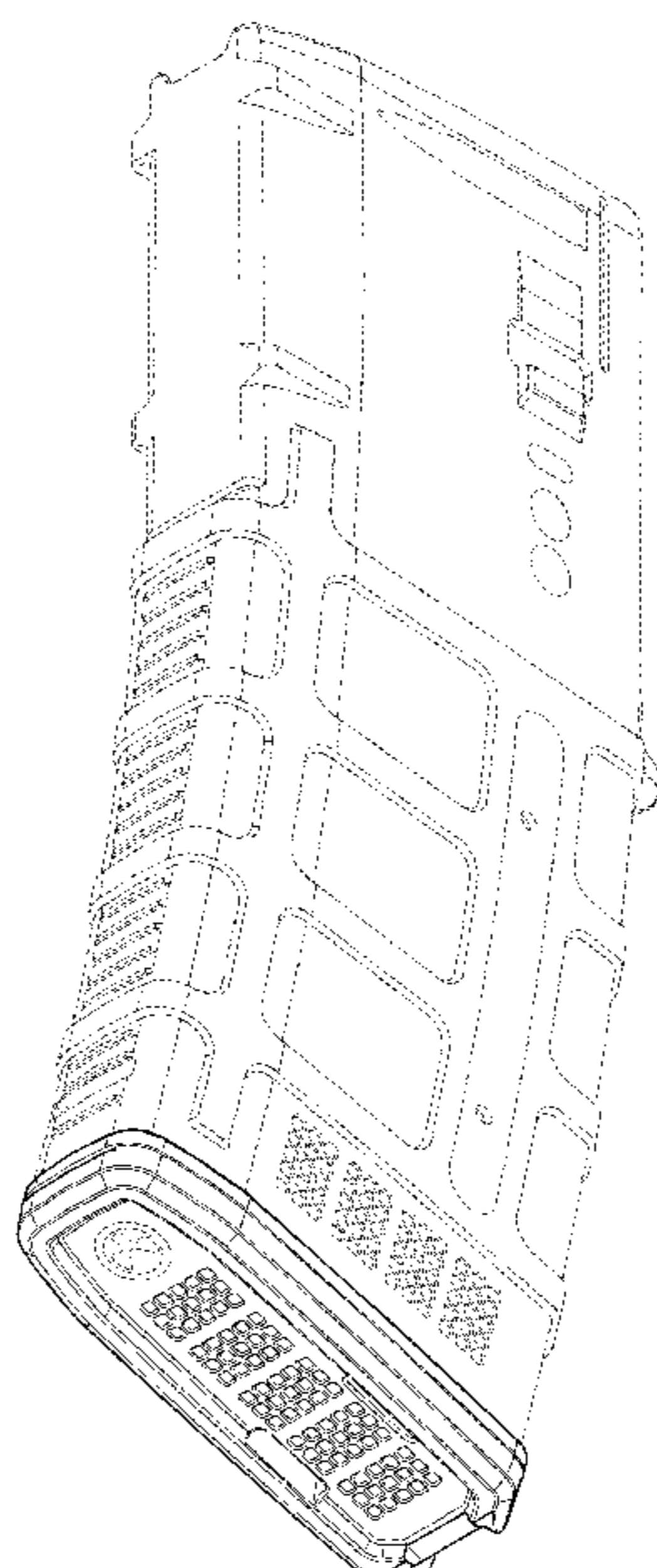
(56) **References Cited**

**U.S. PATENT DOCUMENTS**

4,139,959	A	2/1979	Howard	
D362,044	S	* 9/1995	Snieszak	D22/108
D593,635	S	6/2009	Fitzpatrick	
D600,303	S	9/2009	Fitzpatrick	
D614,719	S	4/2010	Fitzpatrick	
D614,720	S	4/2010	Fitzpatrick	
D614,721	S	4/2010	Fitzpatrick	
D616,057	S	5/2010	Fitzpatrick	
D620,544	S	7/2010	Fitzpatrick	
D620,545	S	7/2010	Fitzpatrick	
D632,752	S	2/2011	Fitzpatrick et al.	
D633,164	S	2/2011	Fitzpatrick	
D633,589	S	3/2011	Fitzpatrick	

FIG. 1 is a front, left, bottom perspective view of a bottom plate for a firearm magazine for a firearm shown mounted on a firearm magazine, with the magazine illustrated in broken lines showing our new design;  
FIG. 2 is a right side elevation view of the bottom plate of FIG. 1, with the left side being a mirror image thereof;  
FIG. 3 is a top plan view of the bottom plate of FIG. 1;  
FIG. 4 is a bottom plan view of the bottom plate of FIG. 1;  
FIG. 5 is a rear elevation view of the bottom plate of FIG. 1; and,  
FIG. 6 is a front elevation view of the bottom plate of FIG. 1. The broken lines showing portions of the design in all figures is included for the purpose of illustrating environment and unclaimed features and forms not part of the claimed design.

**1 Claim, 3 Drawing Sheets**



## U.S. PATENT DOCUMENTS

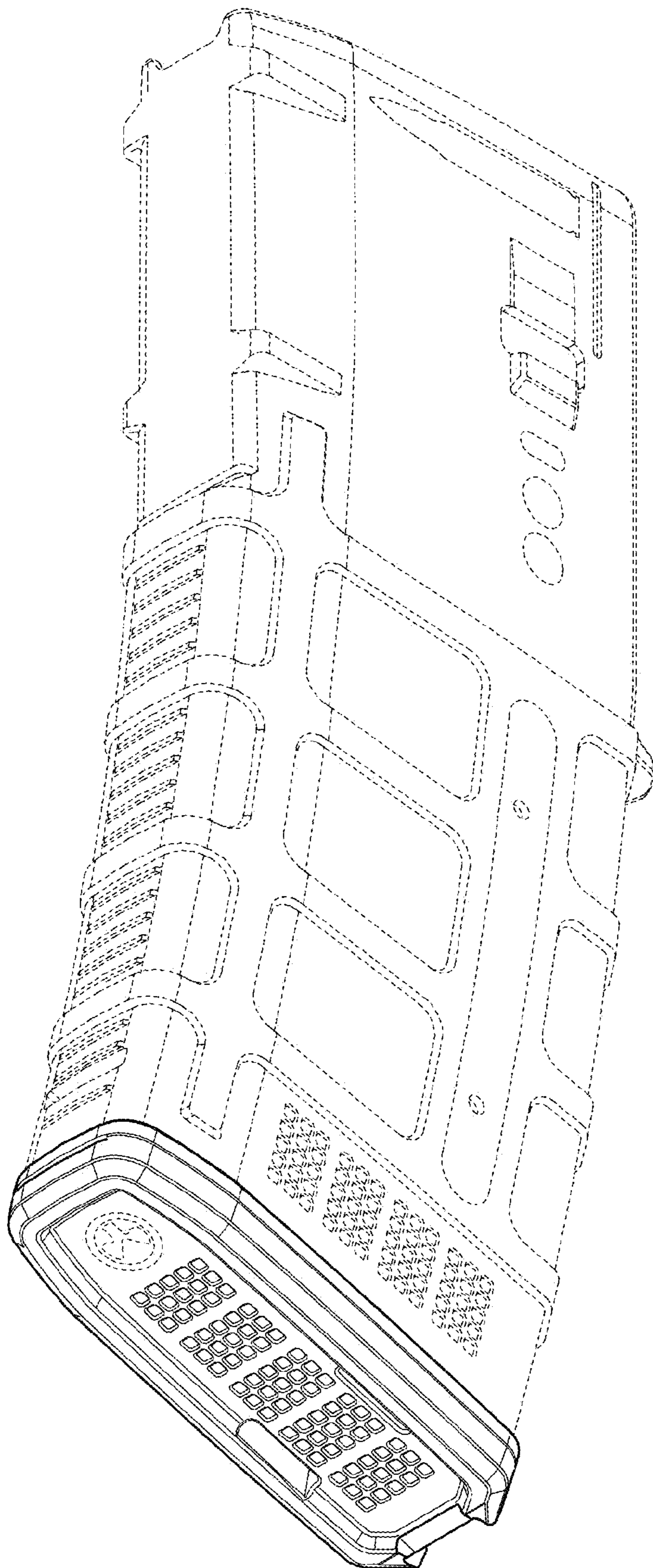
2010/0251590 A1 10/2010 Fitzpatrick  
 2012/0066950 A1\* 3/2012 Davidson ..... 42/50  
 2012/0317857 A1\* 12/2012 Fitzpatrick et al. .... 42/50

## OTHER PUBLICATIONS

Cheaperthandirt.com 2010\_Mag\_AR-15\_223\_Orlite  
 Cheaperthandirt.com (Apr. 20, 2010) Mag AR-15.223 Orlite 30 Round Israeli Shows Field Use; Website [Online] Available Web Site: <http://www.cheaperthandirt.com/MAG105-1.html>; Last Update: Unknown; Accessed on: Apr. 20, 2010.  
 HKParts.net 2010\_SL8\_20\_Round\_Single\_Stack\_Magazine  
 HK Parts.net (May 7, 2010) SL8 20 Round Single Stack Magazine; Website [Online] Available Web Site: <http://www.hkparts.net/shop/pc/SL8-20-Round-Single-Stack-Magazine-182p805.htm>; Last Update: Jul. 6, 2010; Accessed on May 4, 2012.  
 Lancer\_Systems\_2012\_AWM\_Magazine Lancer Systems (2012) L5 AWM Magazine; Website [Online] Available Web Site: [http://www.lancer-systems.com/L5\\_AWM.html](http://www.lancer-systems.com/L5_AWM.html); Last Update: Unknown; Accessed on: May 4, 2012.  
 Lancer\_Systems\_2010\_L5\_Translucent\_Magazine\_20-30\_Round Lancer Systems (Apr. 16, 2010) L5 Translucent Magazine 2- & 30 Round Magazines; Website [Online] Available Web Site: [http://www.lancer-systems.com/L5\\_2010\\_30.html](http://www.lancer-systems.com/L5_2010_30.html); Last Update: Nov. 14, 2010; Accessed on: May 4, 2012.  
 Magpul\_2010\_PMAG\_Magazines Magpul (Jan. 3, 2010) PMAG Magazines; Website [Online] Available Web Site: [http://store.magpul.com/prod\\_detail\\_list/2](http://store.magpul.com/prod_detail_list/2) Last Update: Dec. 2, 2010 Accessed on: May 4, 2012.  
 Remtek.com\_1999\_Steyr\_AUG\_Magazine\_Group Remtek.com (Oct. 4, 1999) Steyr AUG Magazine Group; Website [Online] Available Web Site: <http://www.remtek.com/arms/steyr/aug/specs/magazine/magazine.htm> Last Update: Apr. 7, 2009; Accessed on: May 4, 2012.  
 ThermoldMagazines.com\_2012\_M-16AR-M15-30-Magazines Thermoldmagazines.com (2012) M-16/AR-15/30-Magazine; Website [Online] Available Web Site: <http://www.thermoldmagazines.com/collections/magazines-accessories/products/m-16-ar-15-30-magazine>; Last Update: Unknown; Accessed on: May 4, 2012.  
 Brownells AR-15/M16 Tactical Magazine, Brownells (Apr. 20, 2010) AR-15/M16 Tactical Magazine; Website [Online] Available Web Site: [http://www.brownells.com/.aspx/pid=24307/Product/AR\\_15\\_M16\\_TACTICAL\\_MAGAZINE](http://www.brownells.com/.aspx/pid=24307/Product/AR_15_M16_TACTICAL_MAGAZINE); Last Update: Unknown; Accessed on: Apr. 20, 2010.  
 EMA\_Tactical\_CDMAG\_Countdown\_Magazine, EMA Tactical (Apr. 20, 2010) CDMAG Countdown Magazine; Website [Online]

Available Web Site: <http://www.ematactical.com/viewProduct.asp?ID=278&catID=8>; Last Update: Unknown, Accessed on: Apr. 20, 2010.  
 Foltz (Feb. 21, 2007) 5.56mm 30 Round Magazine Improvement Programs; PDF [Online], Available Web Site: <http://www.dtic.mil/ndia/2006smallarms/foltz.pdf> Last Update: Feb. 21, 2007; Accessed on: Apr. 20, 2010.  
 Gunbroker.com\_2010\_Eagle\_International\_223\_Polymer\_Magazine, Gunbroker.com (Apr. 20, 2010) Eagle International .223 Polymer Magazine 223; Website [Online] Available Web Site: <http://www.gunbroker.com/Auction/ViewItem.aspx?Item=164602069#PIC>; Last Update: Unknown; Accessed on: Apr. 20, 2010.  
 HKParts.net\_2010\_HK\_G36\_30\_Round\_Magazine, HKParts.net (Apr. 20, 2010) HK G36 30 Round Magazine; Website [Online] Available Web Site: <http://www.hkparts.net/shop/pc/HK-G36-30-Round-Mag-Fits-G36-G36K-G36C-Converted-SL8-s-182p624.htm>; Last Update: Unknown; Accessed on: Apr. 20, 2010.  
 HKParts.net\_2010\_30\_Round\_HK\_416\_KCI\_Steel\_556\_Magazine, HKParts.net (Apr. 20, 2010) 30 Round HK 416 KCI Steel .556 Magazine; Website [Online] Available Web Site: <http://www.hkparts.net/shop/pc/30-Round-HK-416-KCI-Steel-556-Magazine-64p982.htm>; Last Update: Unknown; Accessed on: Apr. 20, 2010.  
 Lancer\_Systems\_2010\_L5\_Translucent\_Magazine, Lancer Systems (Apr. 20, 2010) L5 Translucent Magazine; Website [Online] Available Web Site: [http://www.lancer-systems.com/L5\\_2010\\_30.html](http://www.lancer-systems.com/L5_2010_30.html); Last Update: Unknown; Accessed on: Apr. 20, 2010.  
 Tangodown\_2010\_ARC-L\_Magazine, TangoDown (Apr. 20, 2010) ARC-L Magazine; Website [Online] Available Web Site: [http://tangodown.com/shop/product\\_info.php?products\\_id=126](http://tangodown.com/shop/product_info.php?products_id=126); Last Update: Unknown, Accessed on: Apr. 20, 2010.  
 ThermoldMagazines.com\_2010\_Magazines, Thermoldmagazines.com (Apr. 20, 2010) Magazines; Website [Online] Available Web Site: <http://www.thermoldmagazines.com/magazines.html>; Last Update: Unknown; Accessed on: Apr. 20, 2010.  
 Troyind.com\_2010\_Troy\_BattleMag, Troyind.com (Apr. 20, 2010) Troy BattleMag; Website [Online] Available Web Site: [http://store.troyind.com/Troy\\_BattleMag\\_p/smag-sin-00bt-00.htm](http://store.troyind.com/Troy_BattleMag_p/smag-sin-00bt-00.htm); Last Update: Unknown; Accessed on: Apr. 20, 2010.  
 Design U.S. Appl. No. 29/354,001, filed Jan. 18, 2010, "Firearm Magazine".  
 Design U.S. Appl. No. 29/354,005, filed Jan. 18, 2010, "Large Capacity Firearm Magazine".  
 Design U.S. Appl. No. 29/354,007, filed Jan. 18, 2010, "Small Capacity Firearm Magazine".  
 Design U.S. Appl. No. 29/354,008, filed Jan. 18, 2010, "Medium Capacity Firearm Magazine".

\* cited by examiner



*FIG. 1*

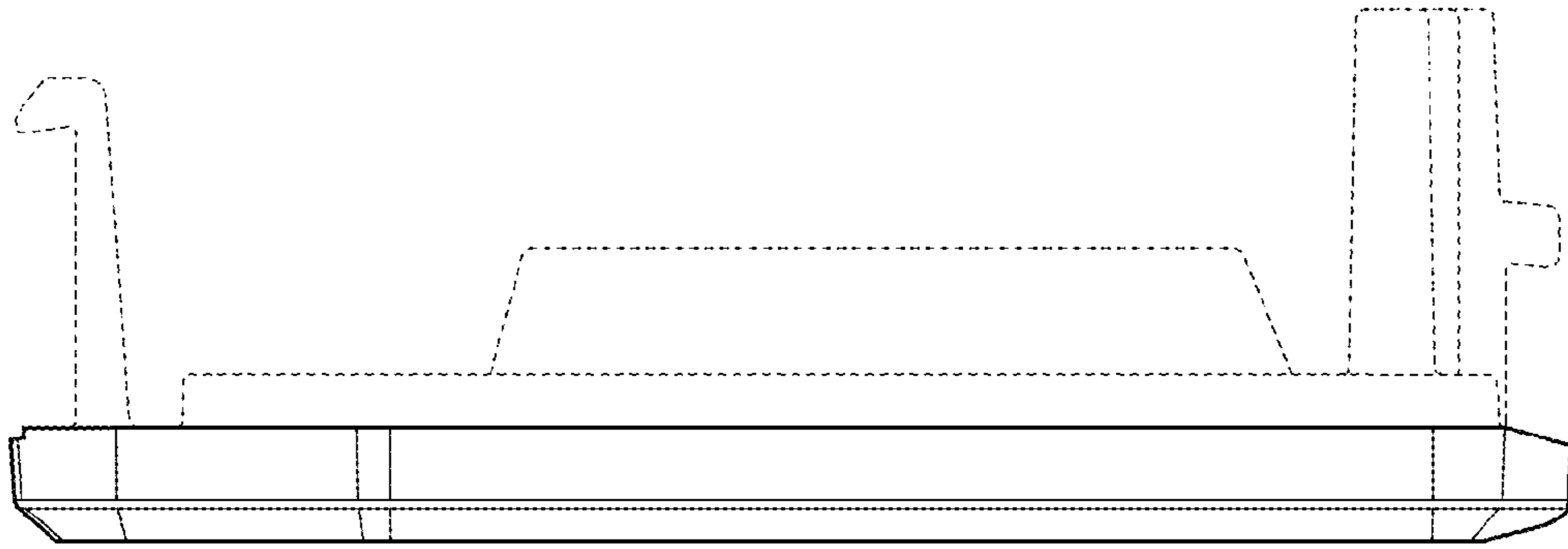


FIG. 2

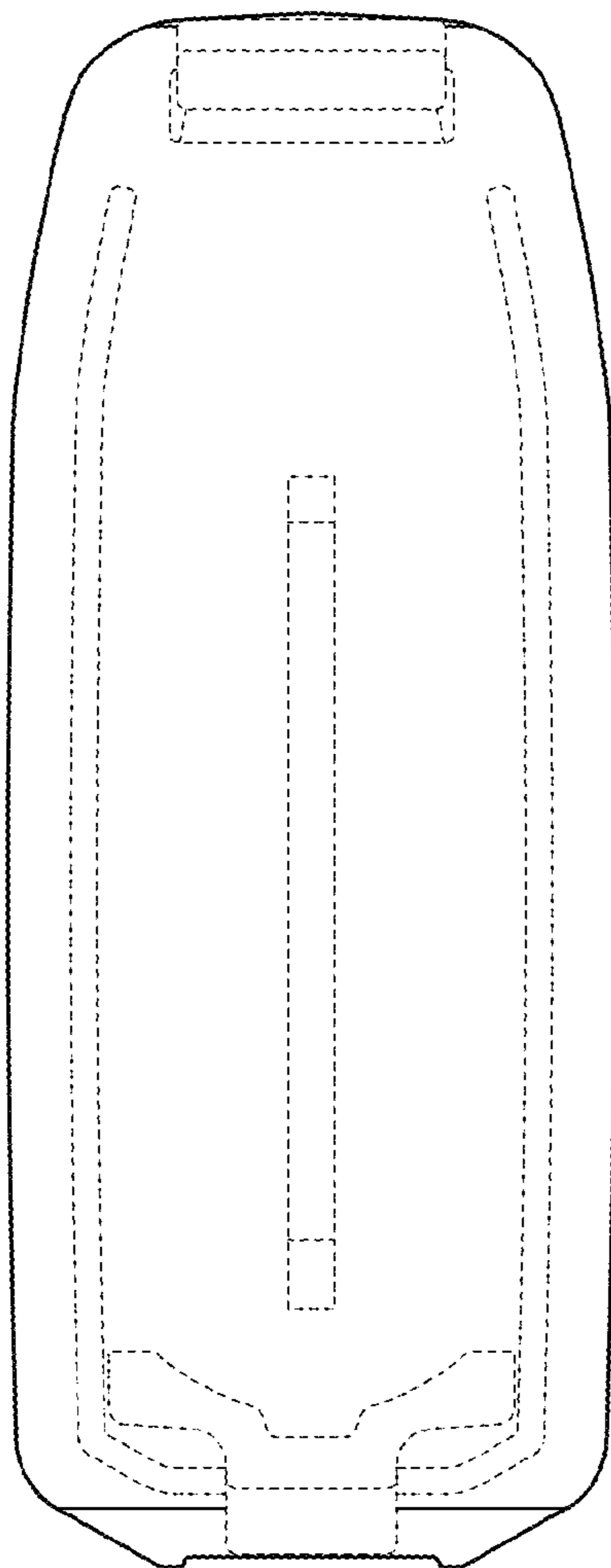


FIG. 3

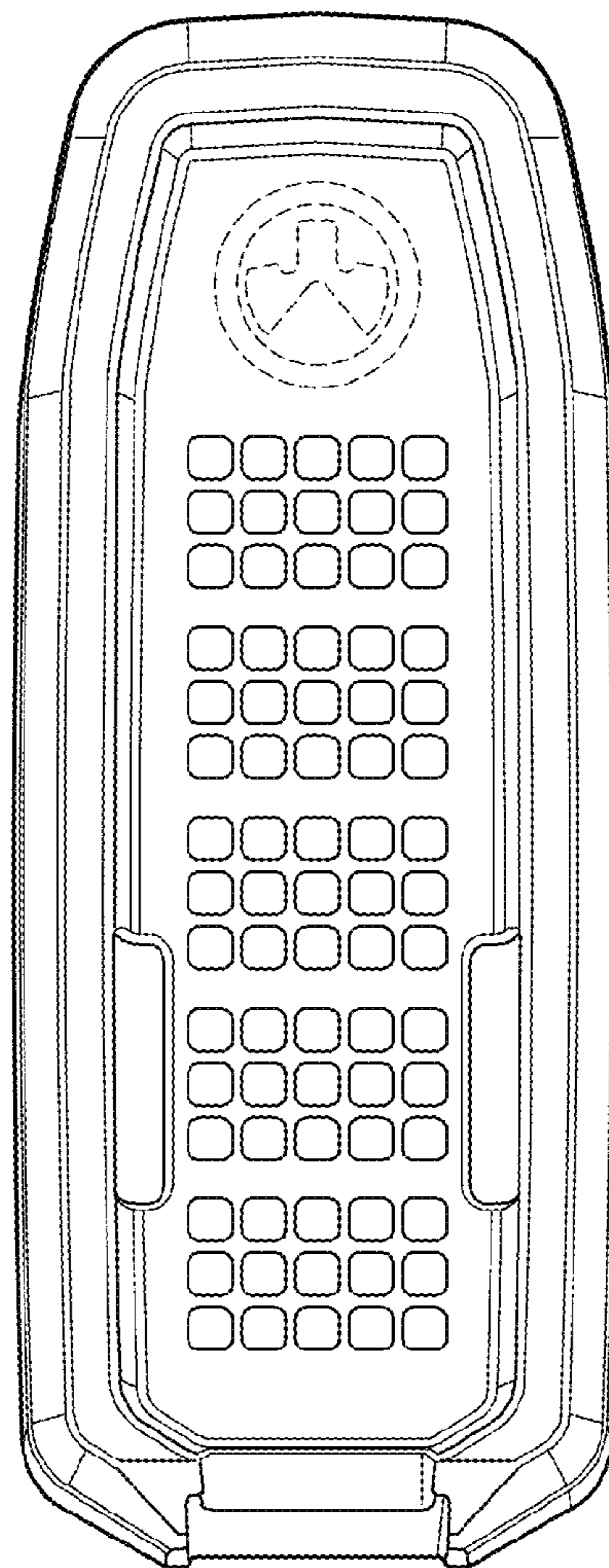
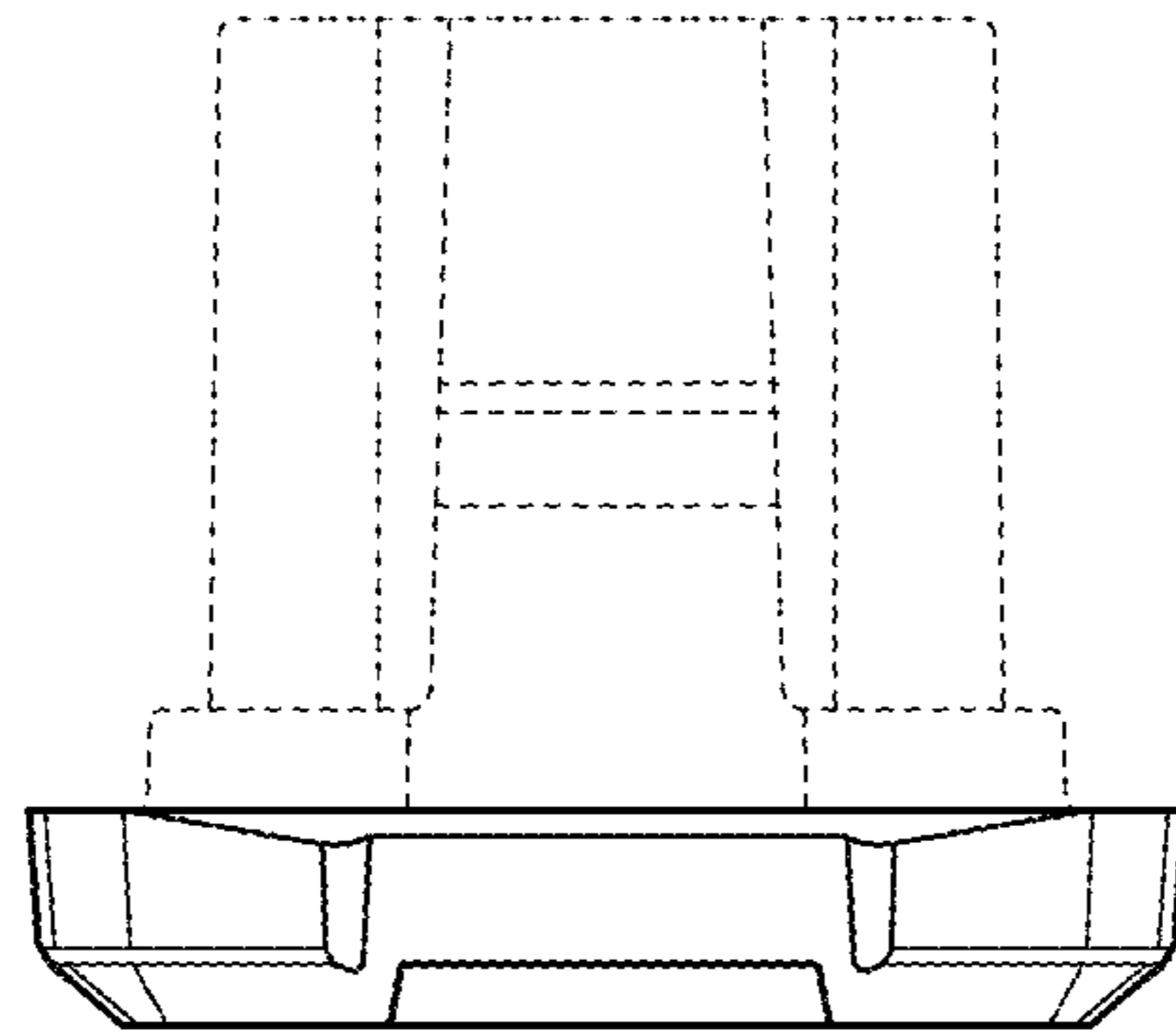
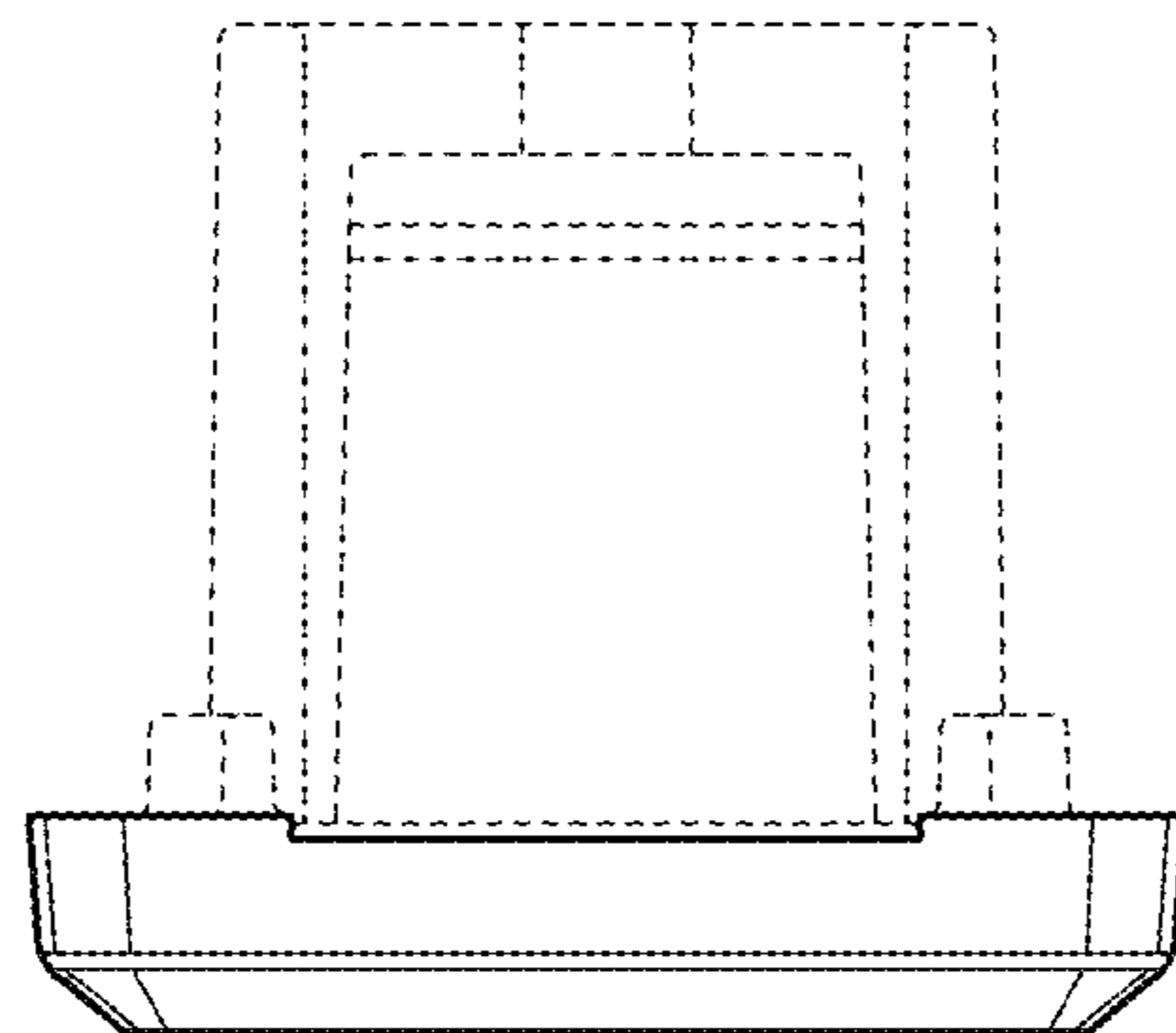


FIG. 4



*FIG. 5*



*FIG. 6*