



US00D680612S

(12) **United States Design Patent**
Maddison

(10) **Patent No.:** **US D680,612 S**
(45) **Date of Patent:** **** Apr. 23, 2013**

(54) **MULTICOLOR SHOOTING TRIPOD FOR USE ON ICE AND ROCKY SURFACES**

(76) Inventor: **Ryan David Maddison**, Alder, MT (US)

(**) Term: **14 Years**

(21) Appl. No.: **29/402,709**

(22) Filed: **Sep. 26, 2011**

(51) **LOC (9) Cl.** **22-01**

(52) **U.S. Cl.**
USPC **D22/108**

(58) **Field of Classification Search** D22/108-110,
D22/114, 199; 42/94, 111, 114; 89/40.01,
89/40.03; 224/311, 413, 442, 551, 571, 913;
D6/368; 73/167; 211/189; 248/164, 166
See application file for complete search history.

(56) **References Cited**

U.S. PATENT DOCUMENTS

D150,504 S *	8/1948	Kinnard	D16/244
D180,867 S *	8/1957	deGignac	D3/9
3,016,802 A *	1/1962	Grunenberg	89/40.06
D256,900 S *	9/1980	Walter	D11/157
5,311,693 A *	5/1994	Underwood	42/94
5,317,826 A *	6/1994	Underwood	42/94
5,406,732 A *	4/1995	Peterson	42/94
5,507,111 A *	4/1996	Stinson et al.	42/94
5,930,932 A *	8/1999	Peterson	42/94
5,930,933 A *	8/1999	Schleicher	42/94
6,086,027 A *	7/2000	Klimbacher	248/166
6,152,012 A	11/2000	Sherwood		
7,281,347 B2	10/2007	Carpenter		
7,434,773 B1 *	10/2008	Minjares	248/181.1
7,506,470 B2	3/2009	Pereksta		
2007/0094911 A1 *	5/2007	Rush et al.	42/85
2007/0169391 A1	7/2007	Carpenter		

* cited by examiner

Primary Examiner — Michael A Pratt

(74) *Attorney, Agent, or Firm* — RG Patent Consulting LLC;
Rachel Gilboy

(57) **CLAIM**

I claim the ornamental design for a multicolor shooting tripod for use on ice and rocky surfaces, as shown and described.

DESCRIPTION

FIG. 1 is a front, top and side perspective view of the multicolor shooting tripod for use on ice and rocky surfaces embodying the design of the present invention, in the deployed configuration with one spike cover open.

FIG. 2 is a top plan view thereof, with all caps covering associated spikes.

FIG. 3 is a bottom view thereof, in the deployed condition with all caps covering associated spikes.

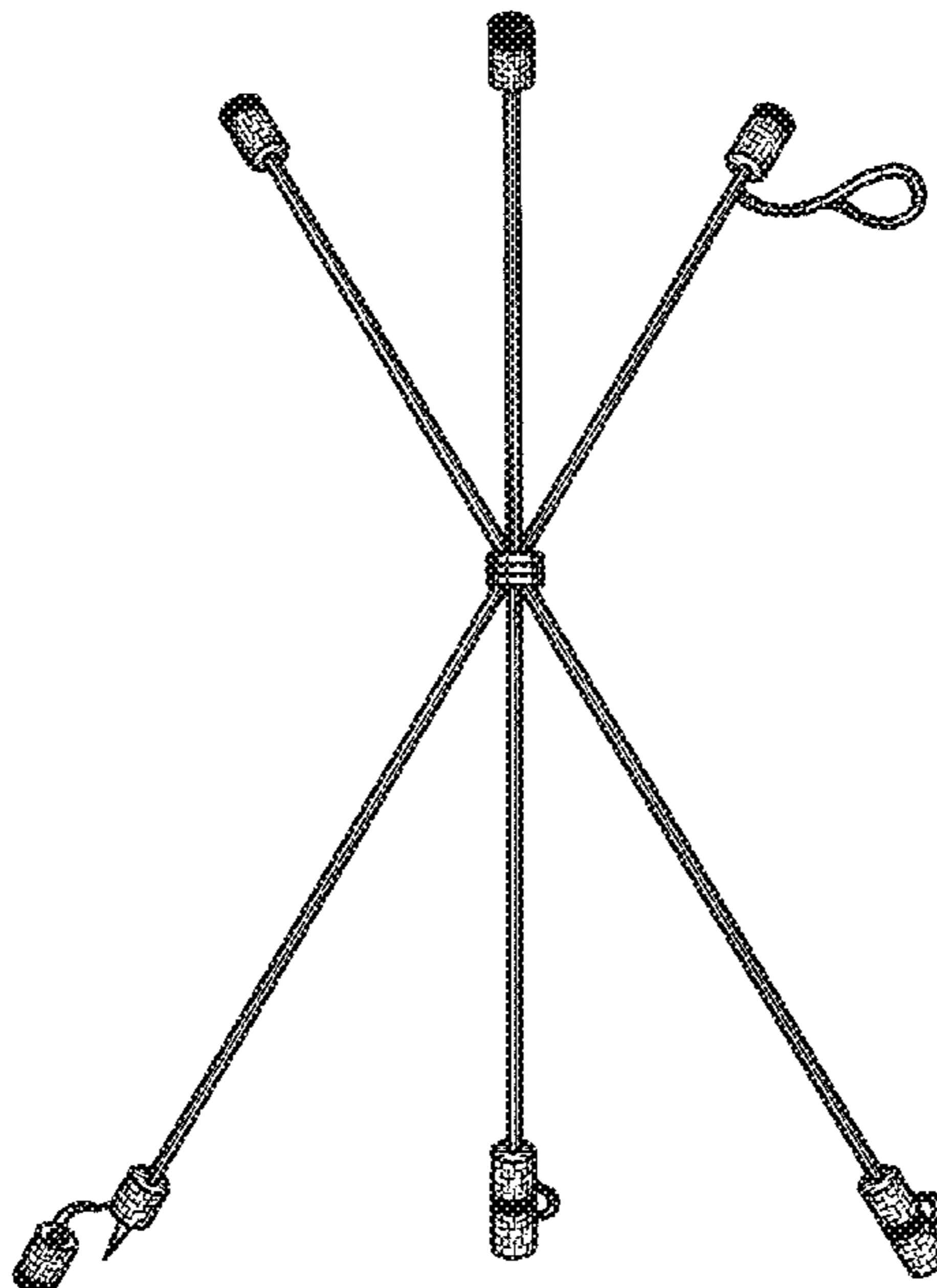
FIG. 4 is a side elevational view thereof, in the deployed condition with all caps covering associated spikes.

FIG. 5 is a side elevational view thereof, in the folded condition with all caps covering associated spikes.

FIG. 6 is a perspective view of a rocky surface tip cover, the tip cover being shaded to illustrate that it is yellow, the body of the stick being black to have a yellow/black contrast in appearance, a black rubber cap is located on a distal end of the cover; and,

FIG. 7 is a perspective view of a bipartite ice-engaging spike cover, the cover being shaded to illustrate that it is yellow with a black ring separating the two parts thereof and a black rope connecting the two parts to contrast with the black body to continue the yellow/black contrast in appearance.

1 Claim, 6 Drawing Sheets



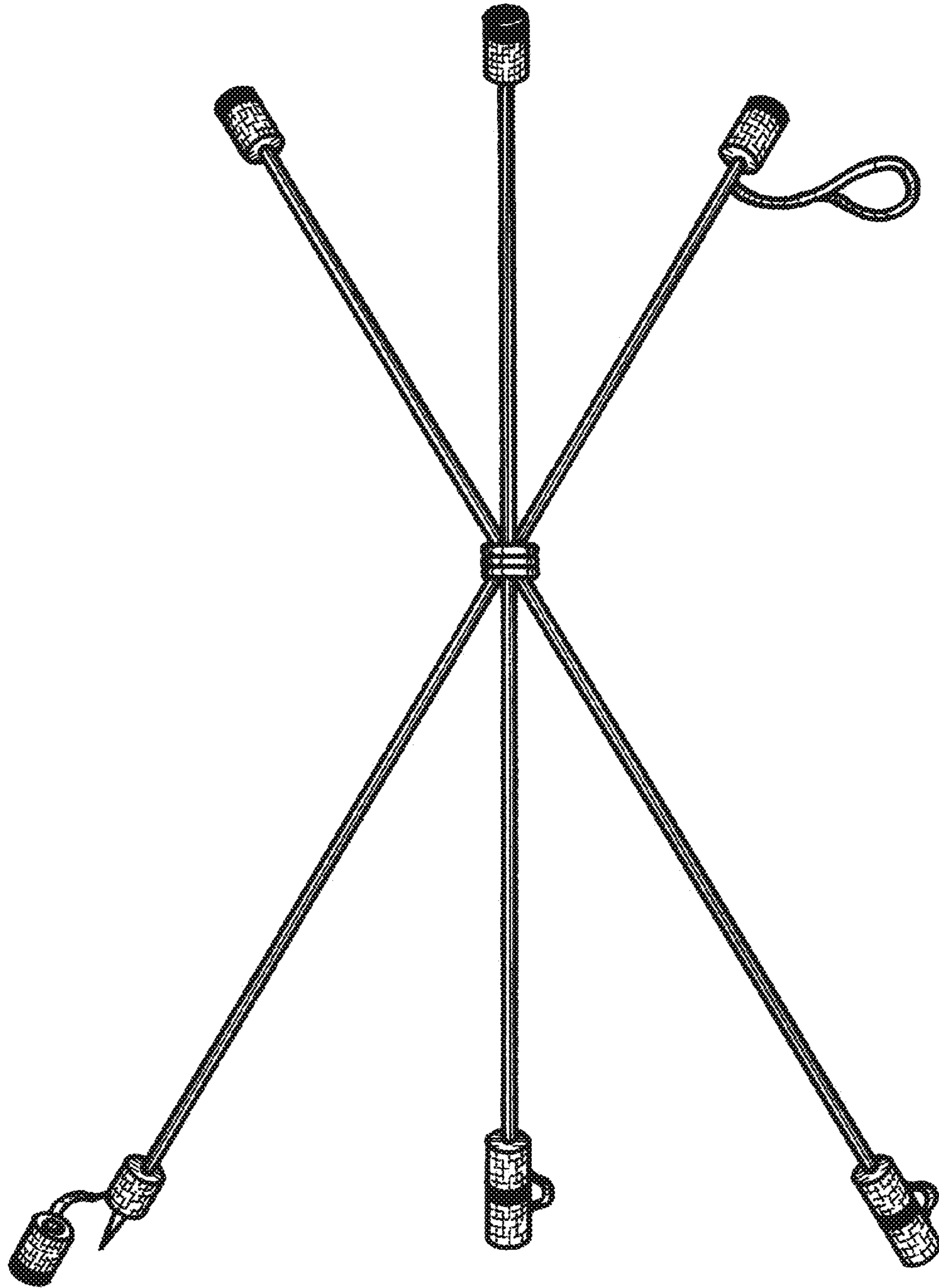
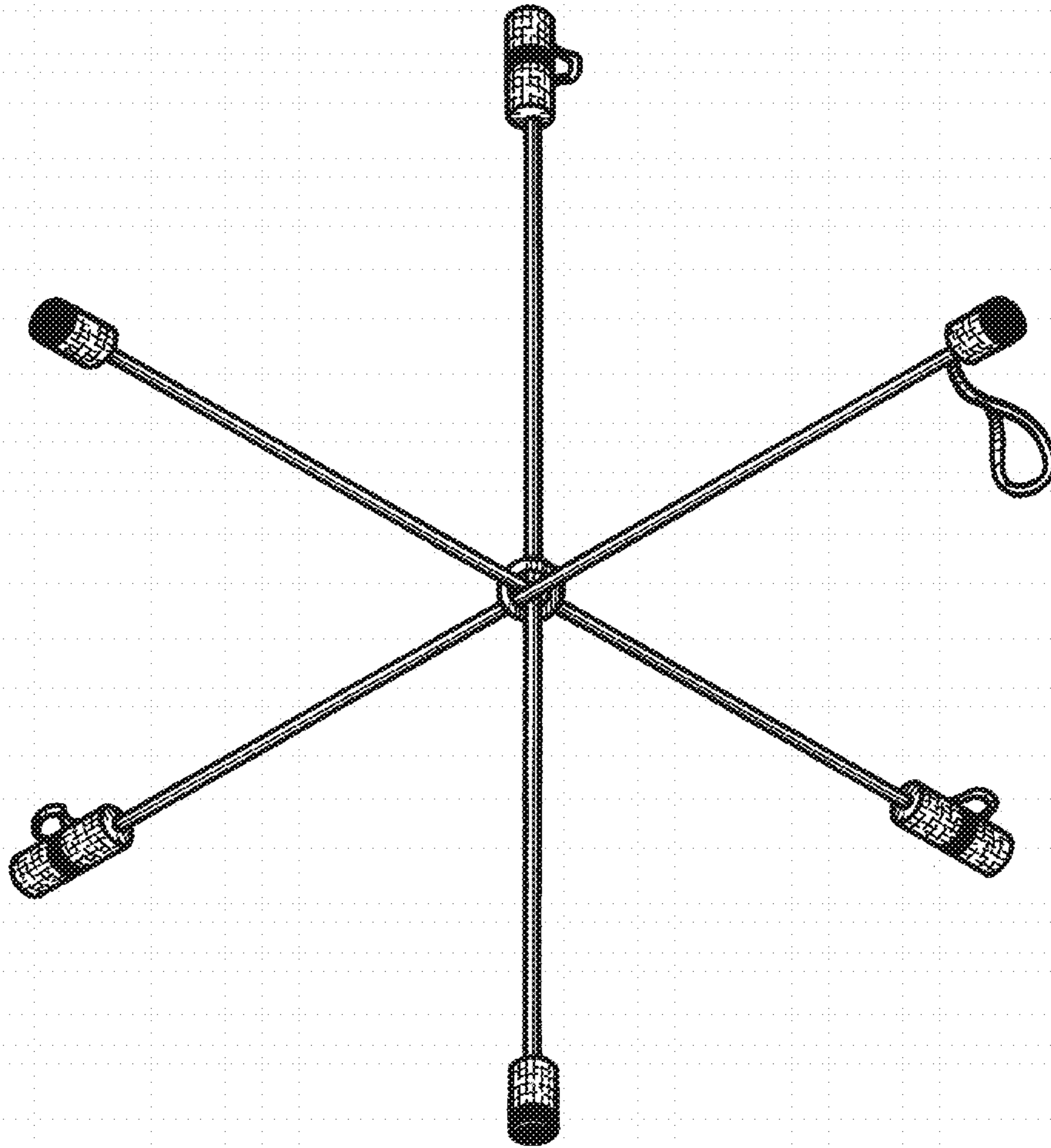
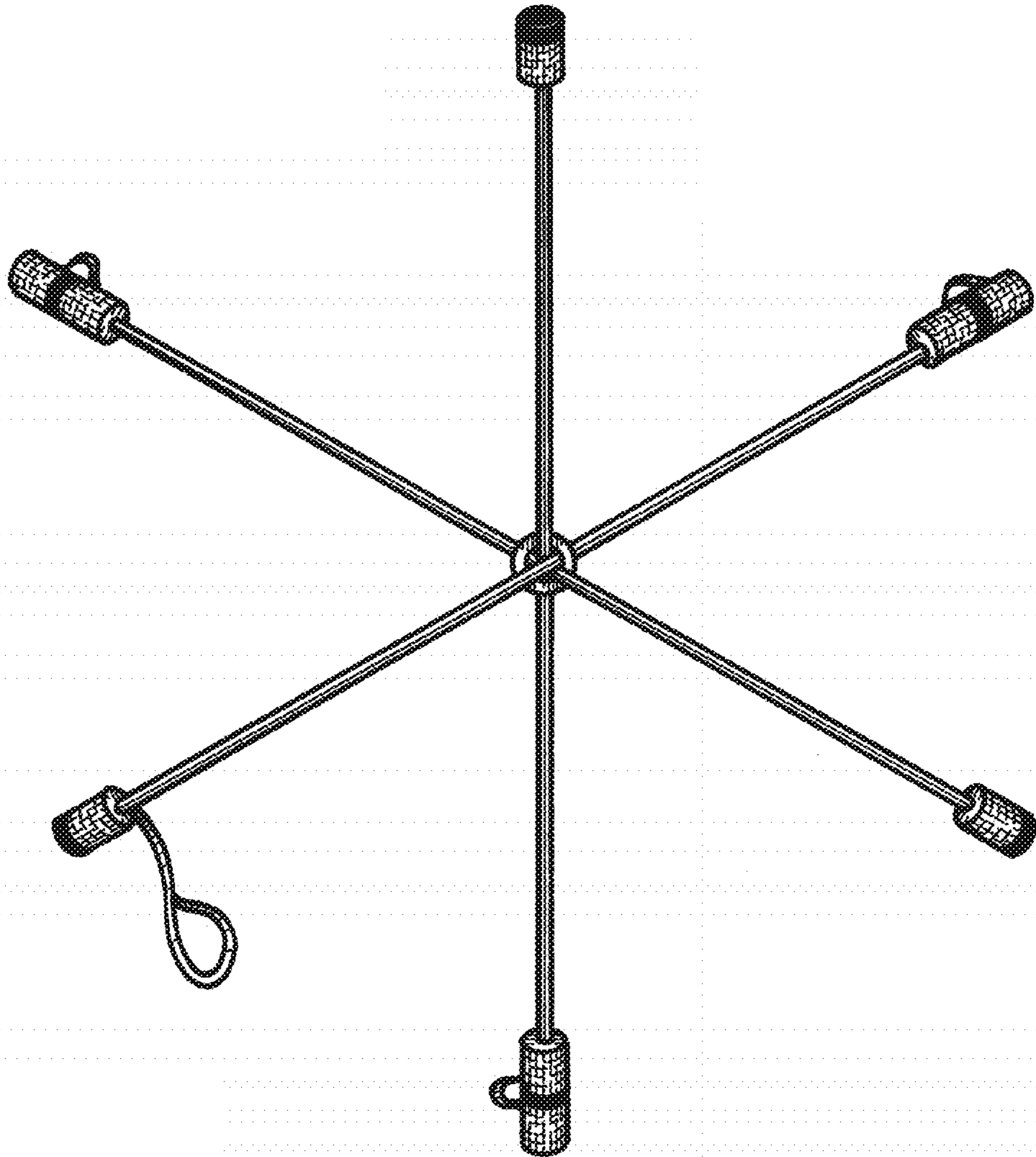


Fig. 1



H. Ing. Co.



H. H. H. H. H.

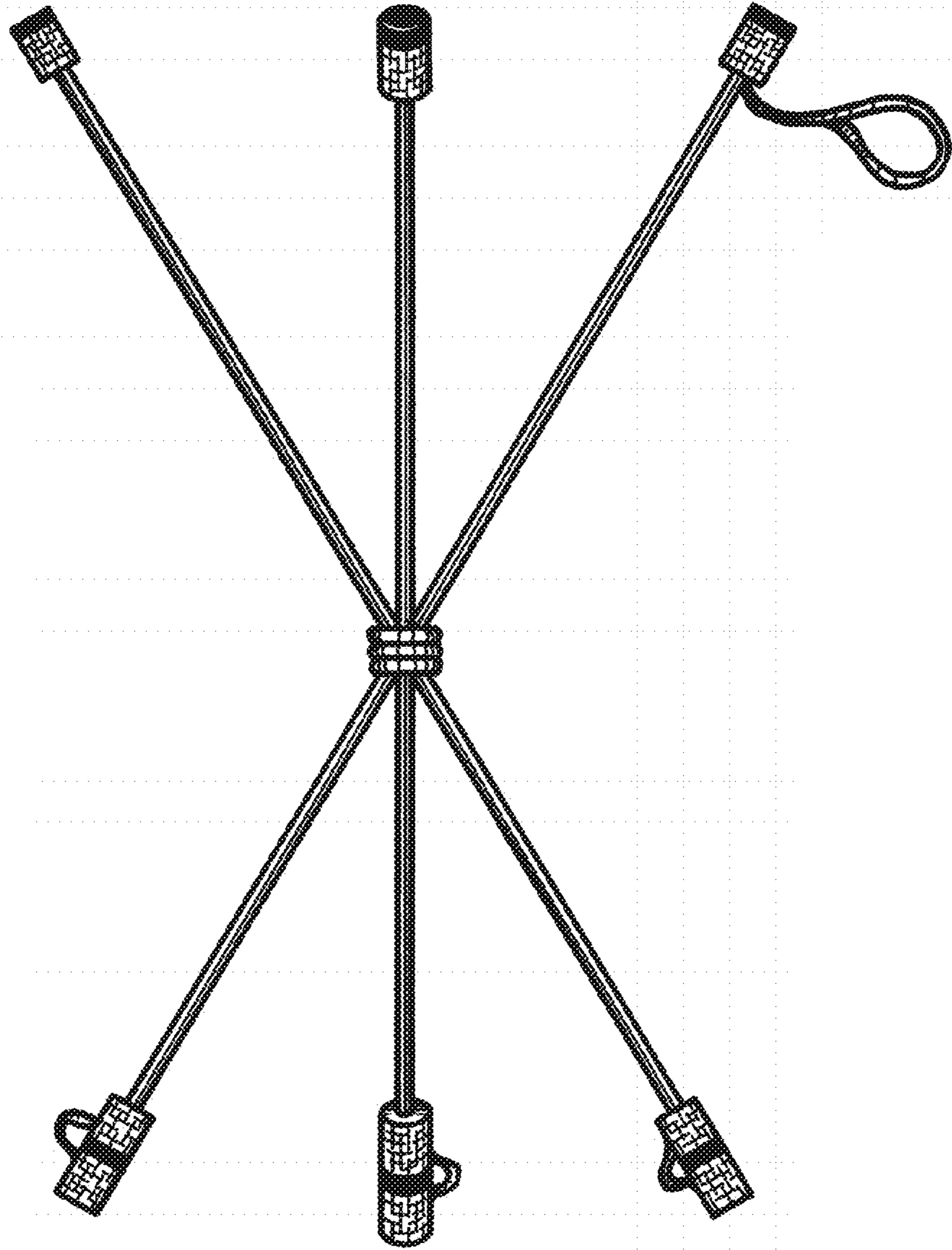


FIG. 1

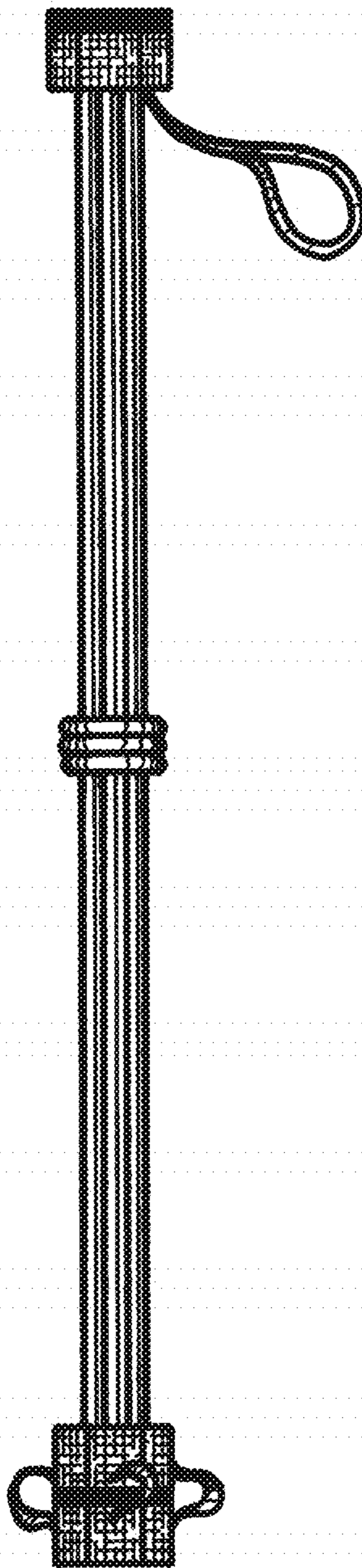


Fig. 5

Fig. 6

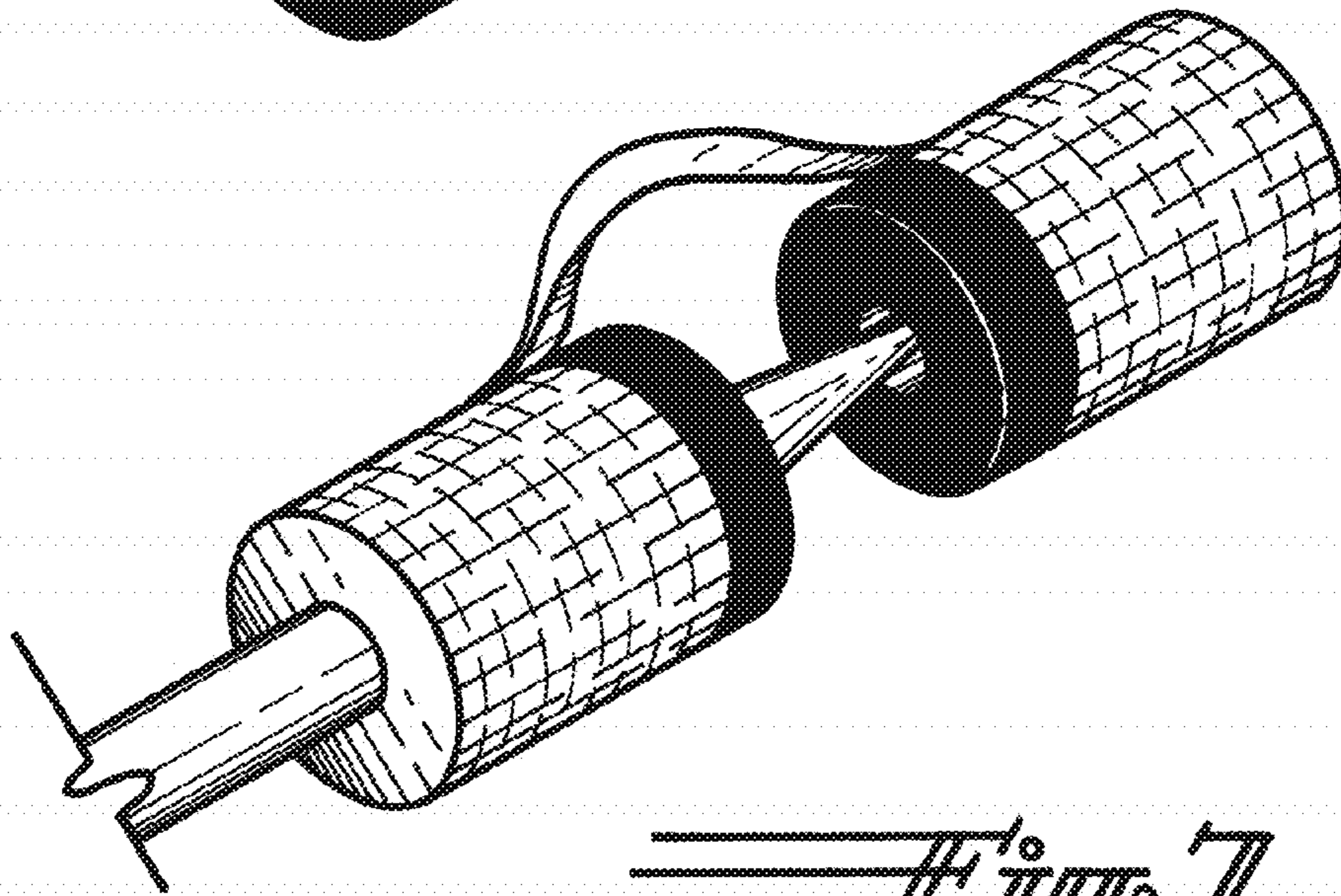
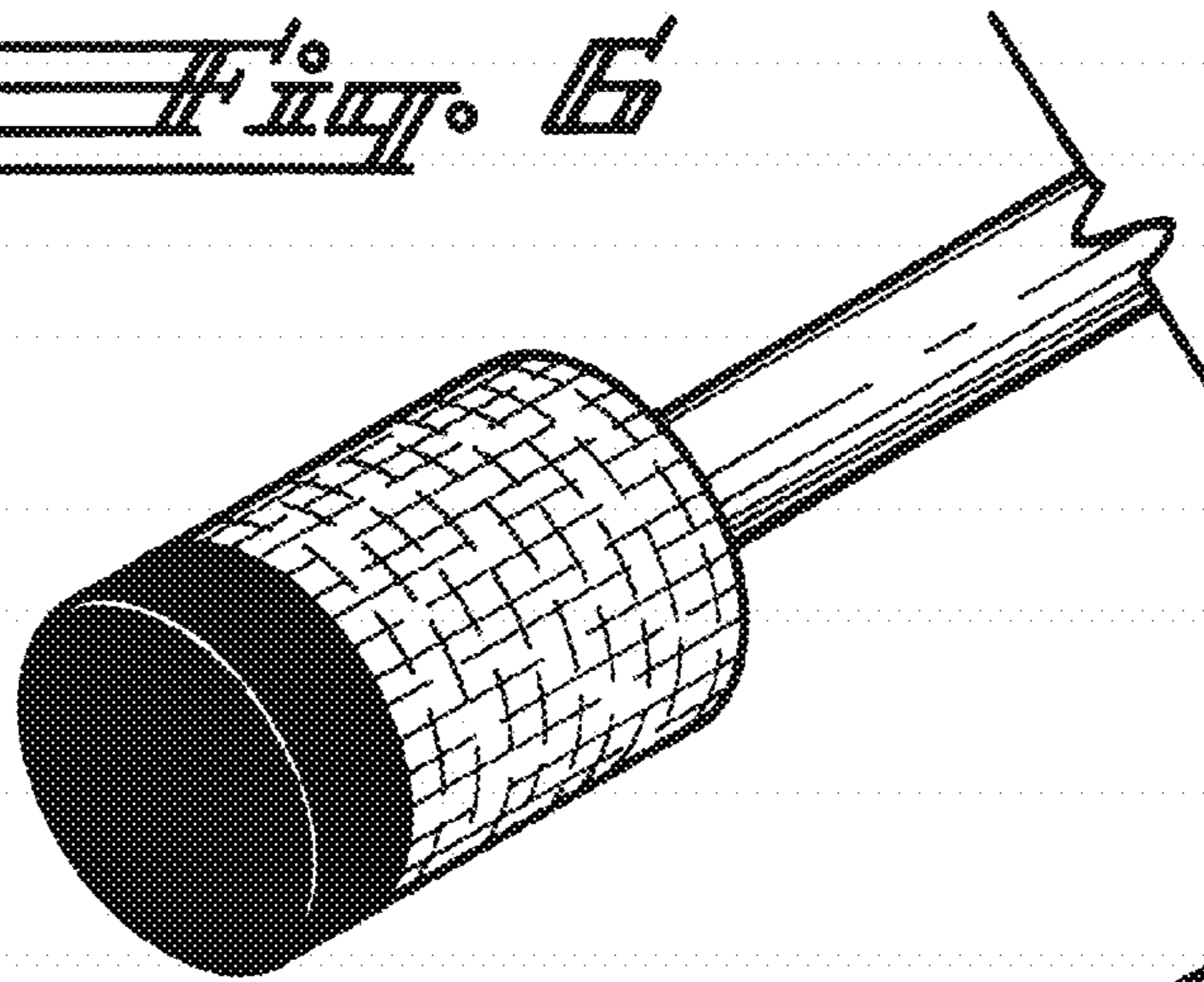


Fig. 7