



US00D680611S

(12) **United States Design Patent**
Emde et al.

(10) **Patent No.:** **US D680,611 S**
(45) **Date of Patent:** **** Apr. 23, 2013**

(54) **GUN**

(76) Inventors: **Dietmar Emde**, Arnsberg (DE);
Michael Swoboda, Möhnesees (DE)

(**) Term: **14 Years**

(21) Appl. No.: **29/412,024**

(22) Filed: **Jan. 30, 2012**

(30) **Foreign Application Priority Data**

Oct. 17, 2011 (DE) 40 2011 006 253

(51) **LOC (9) Cl.** **22-01**

(52) **U.S. Cl.**
USPC **D22/103**

(58) **Field of Classification Search** D22/103;
D21/572-573; 124/67, 66, 72, 74; 89/40.06,
89/41.19, 37.04, 33.04, 191.01, 200-204
See application file for complete search history.

(56) **References Cited**

U.S. PATENT DOCUMENTS

7,685,758	B2 *	3/2010	Romer	42/124
7,797,873	B2 *	9/2010	Gering et al.	42/105
D641,824	S *	7/2011	Gridelet	D22/103
D641,825	S *	7/2011	Gridelet	D22/103
D667,072	S *	9/2012	Kriegleder	D22/103
2007/0271834	A1 *	11/2007	Keng	42/124
2008/0187888	A1 *	8/2008	Jones et al.	434/21
2008/0236017	A1 *	10/2008	Fitzpatrick et al.	42/73
2011/0079137	A1 *	4/2011	Audibert et al.	89/136
2012/0131834	A1 *	5/2012	Barrett et al.	42/75.02
2012/0198990	A1 *	8/2012	Brittin	89/191.01
2012/0255209	A1 *	10/2012	Klassen	42/6
2012/0297656	A1 *	11/2012	Langevin et al.	42/16

OTHER PUBLICATIONS

<http://quarterbore.com/kac/sr47.html>[Jan. 29, 2013 9:38:19 AM].*

* cited by examiner

Primary Examiner — Michael A Pratt
(74) *Attorney, Agent, or Firm* — Michael Soderman

(57) **CLAIM**

The ornamental design for a gun, as shown.

DESCRIPTION

FIG. 01 is a side view (left-hand side) of the gun showing our new design;

FIG. 02 is a side view (right-hand side) thereof;

FIG. 03 is a front view thereof;

FIG. 04 is a bottom view thereof;

FIG. 05 is a top view thereof;

FIG. 06 is a rear view thereof;

FIG. 07 is a view of the gun in perspective at an angle from the bottom;

FIG. 08 is a view of the gun in perspective at an angle from the top;

FIG. 09 is a view of the gun in perspective at an angle from the bottom;

FIG. 10 is a view of the gun in perspective with a detailed view of the magazine;

FIG. 11 is a view of the gun in perspective at an angle from the bottom with a detailed view of the magazine;

FIG. 12 is a view of the gun in perspective at an angle from the top with a detailed view of the magazine;

FIG. 13 is a detailed view of the body thereof;

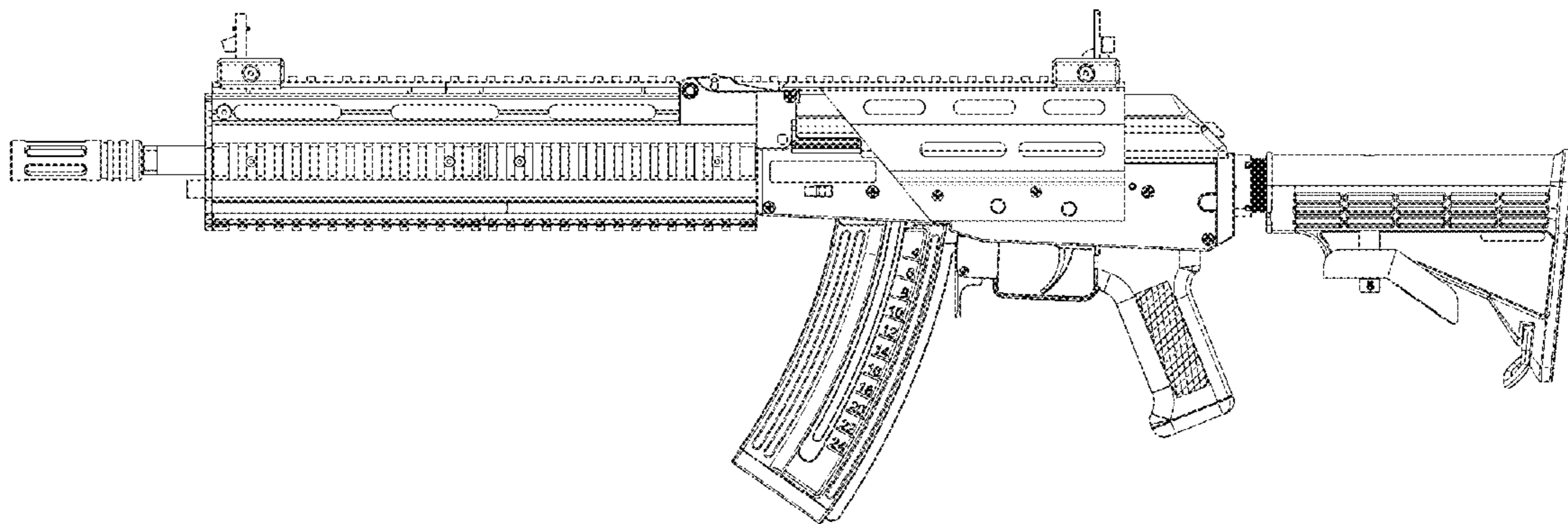
FIG. 14 is a detailed view of the grip thereof;

FIG. 15 is a detailed view of the barrel thereof;

FIG. 16 is a detailed view of the magazine thereof; and,

FIG. 17 is a view showing the slide-in stock.

1 Claim, 17 Drawing Sheets



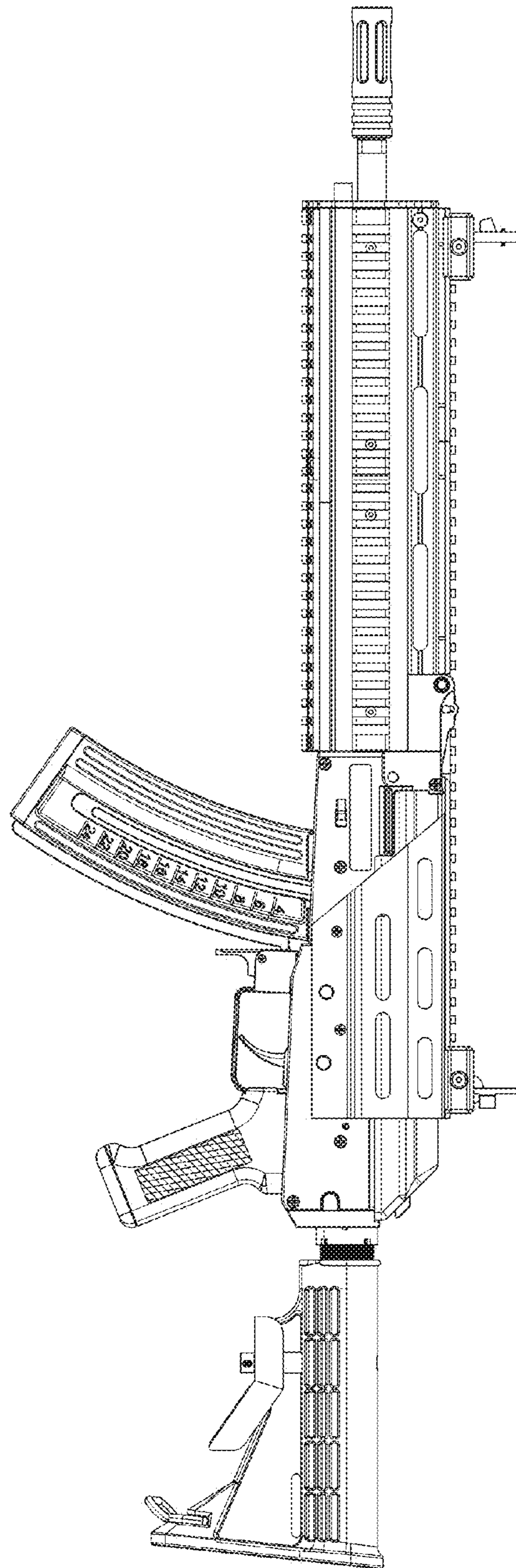


Fig. 01

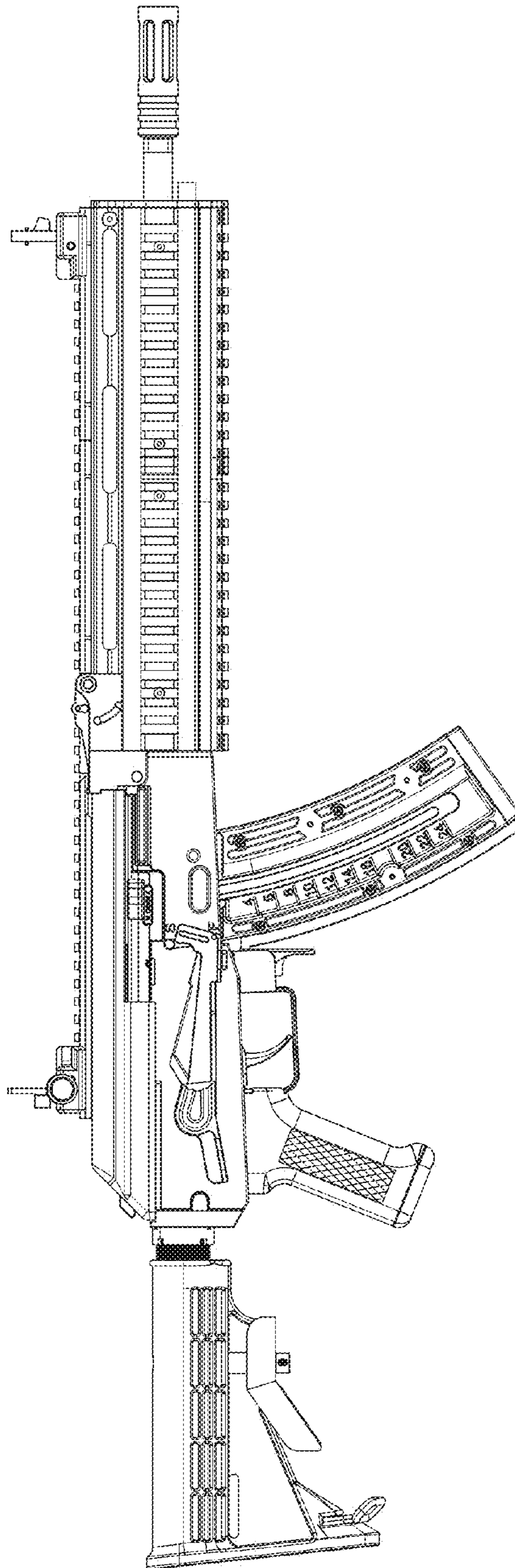


Fig. 02

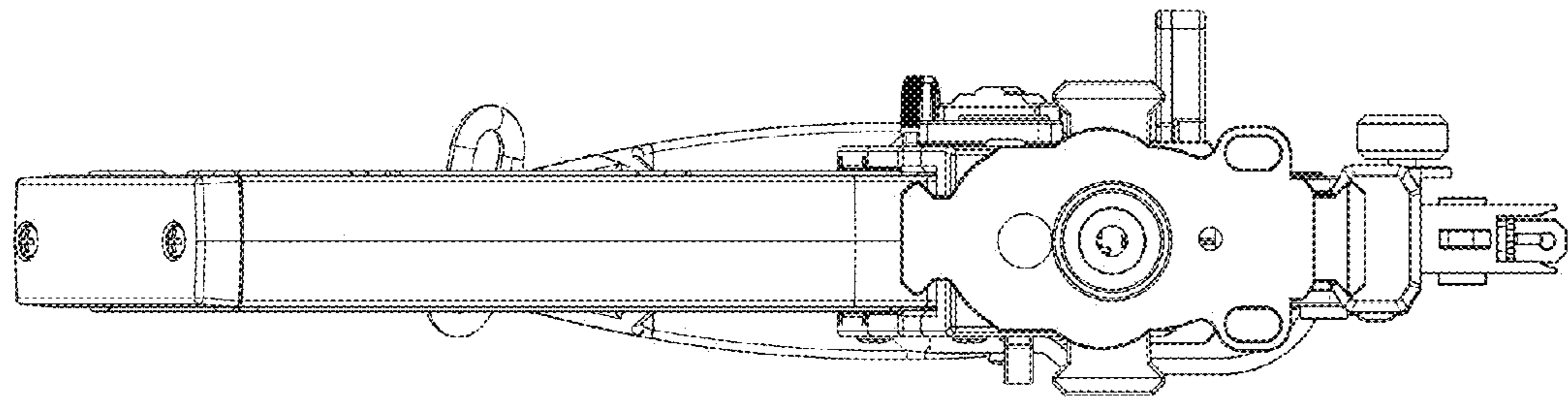


Fig. 03

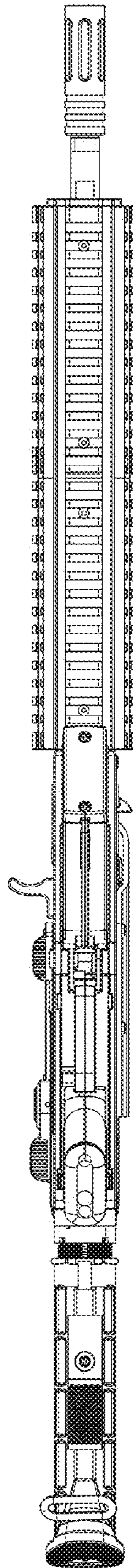


Fig. 04

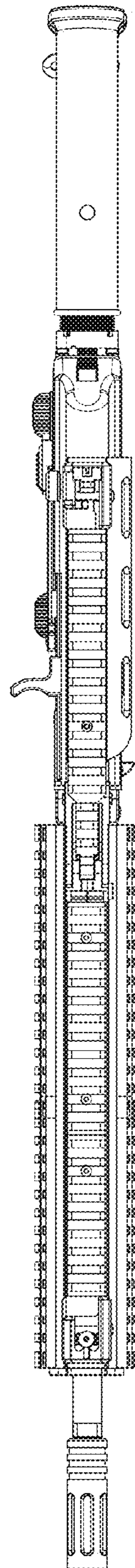


Fig. 05

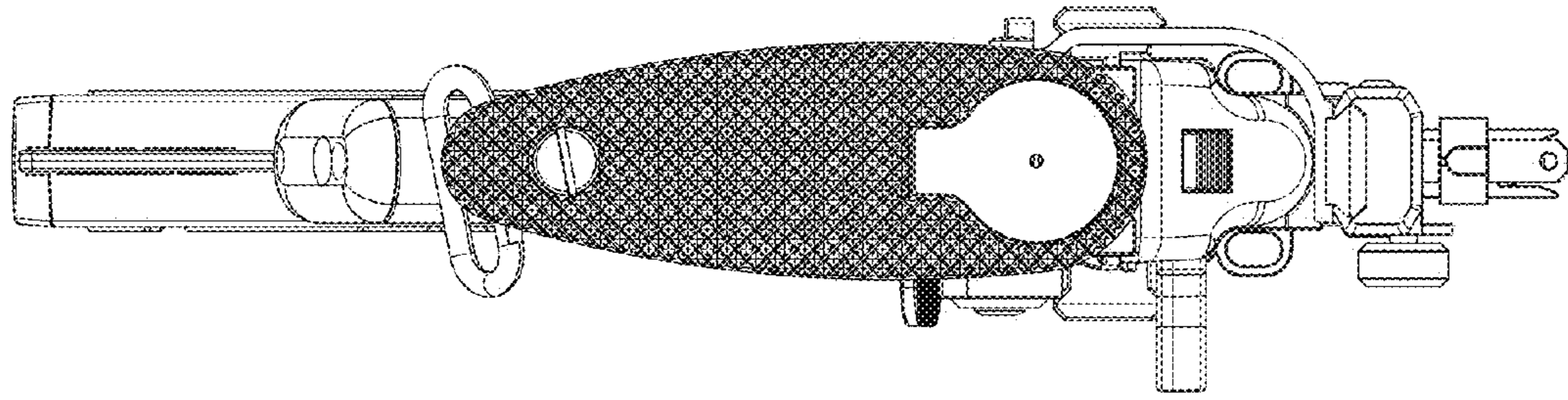


Fig. 06

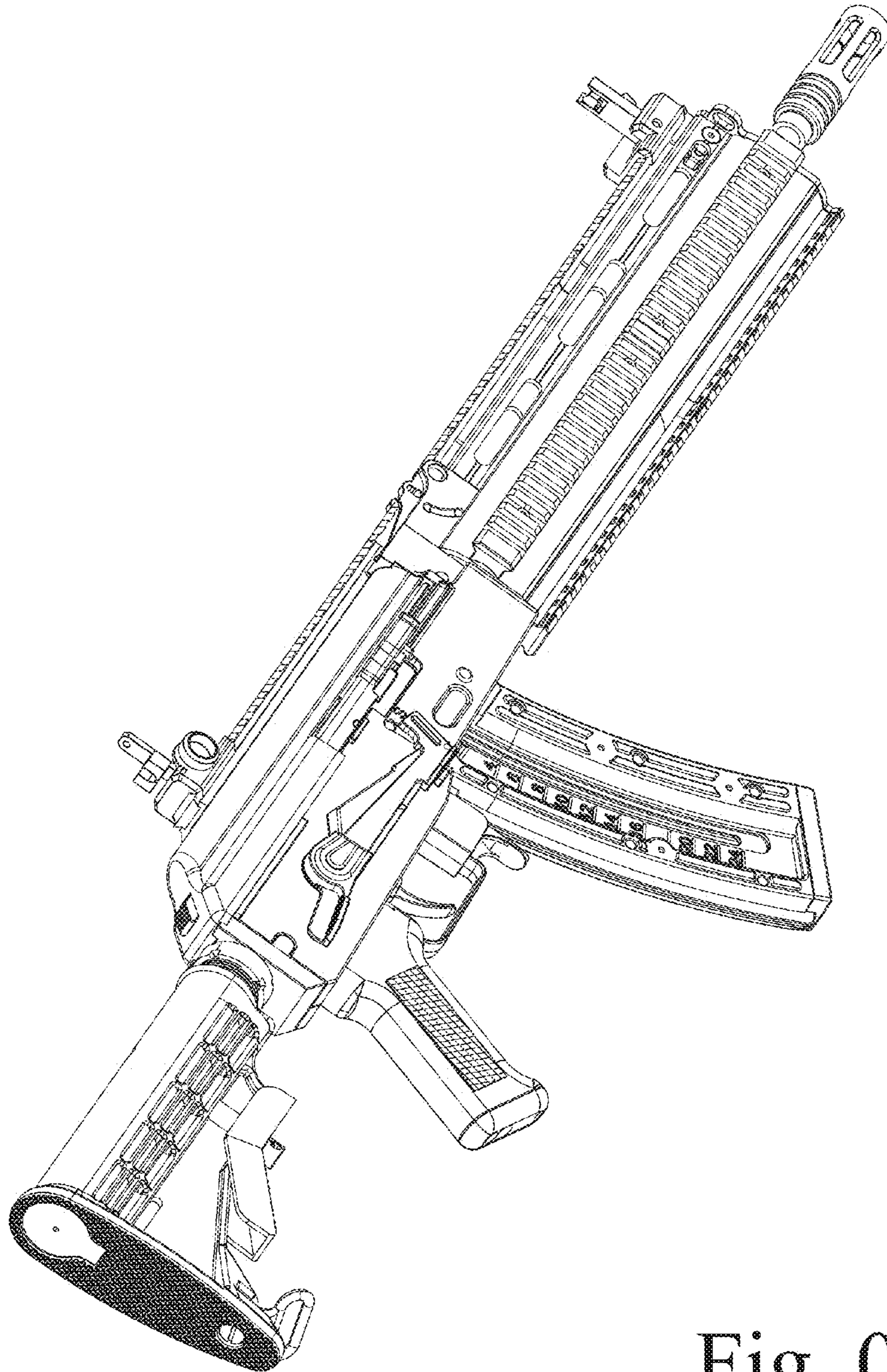


Fig. 07

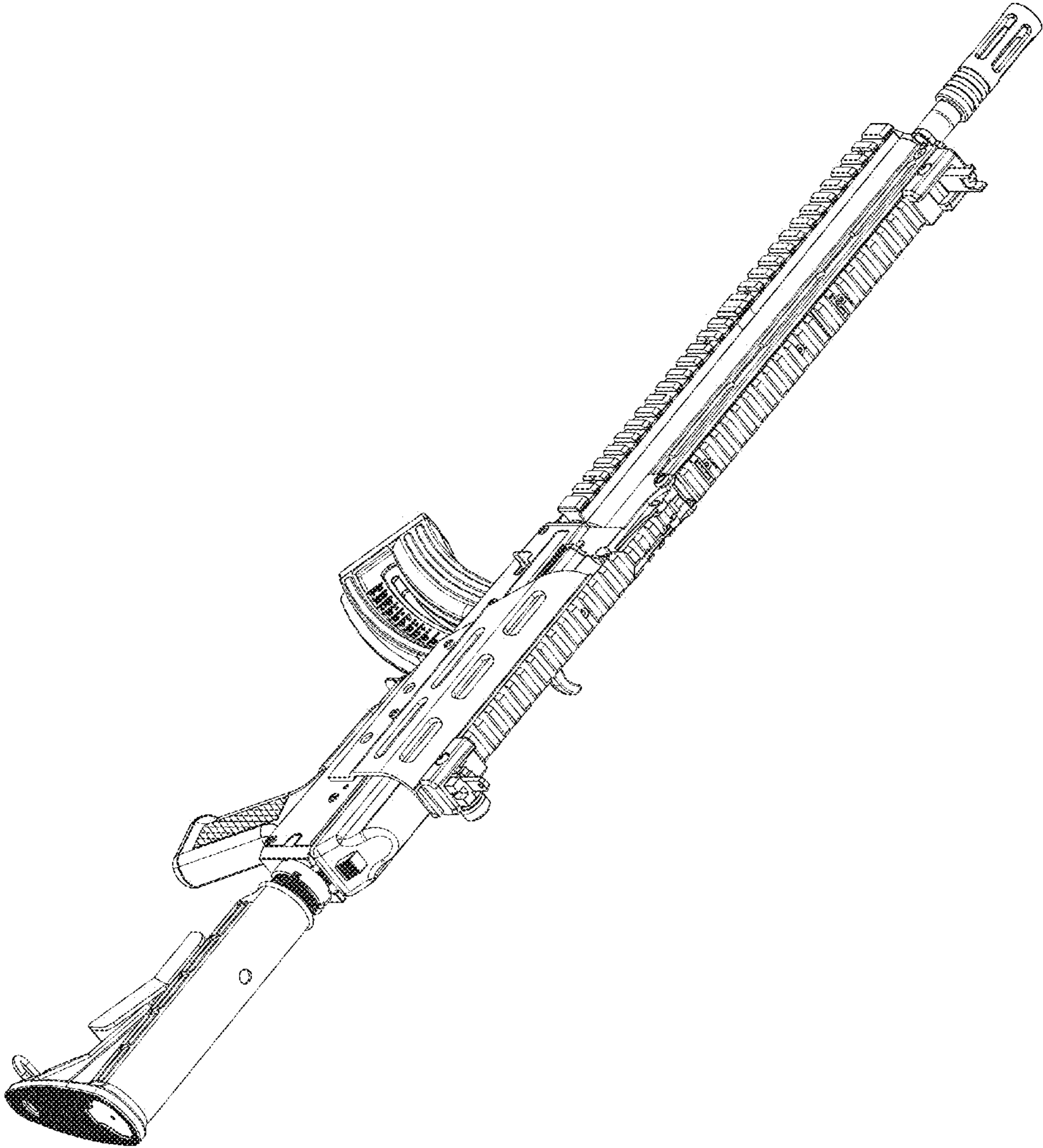


Fig. 08

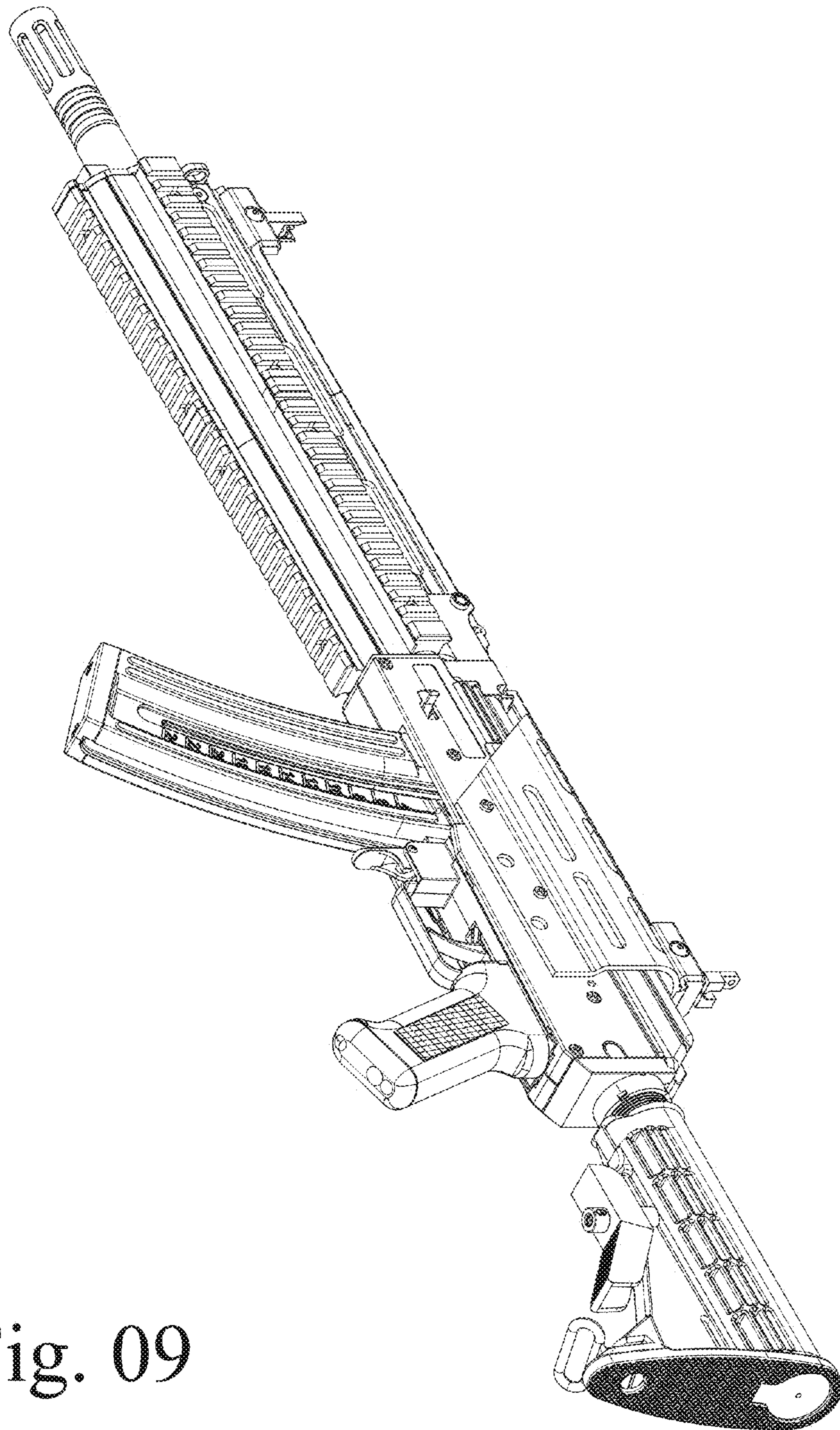


Fig. 09

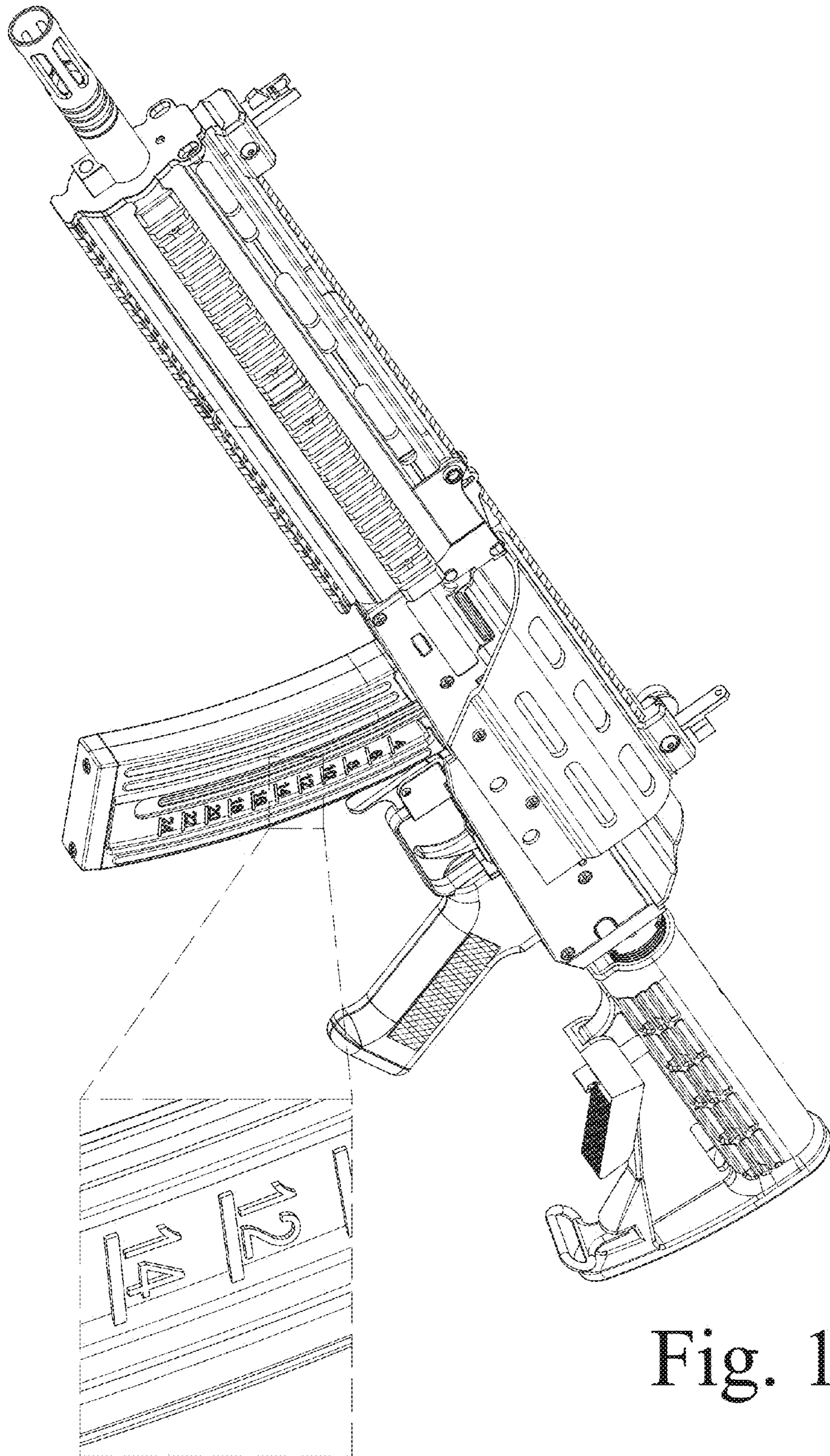


Fig. 10

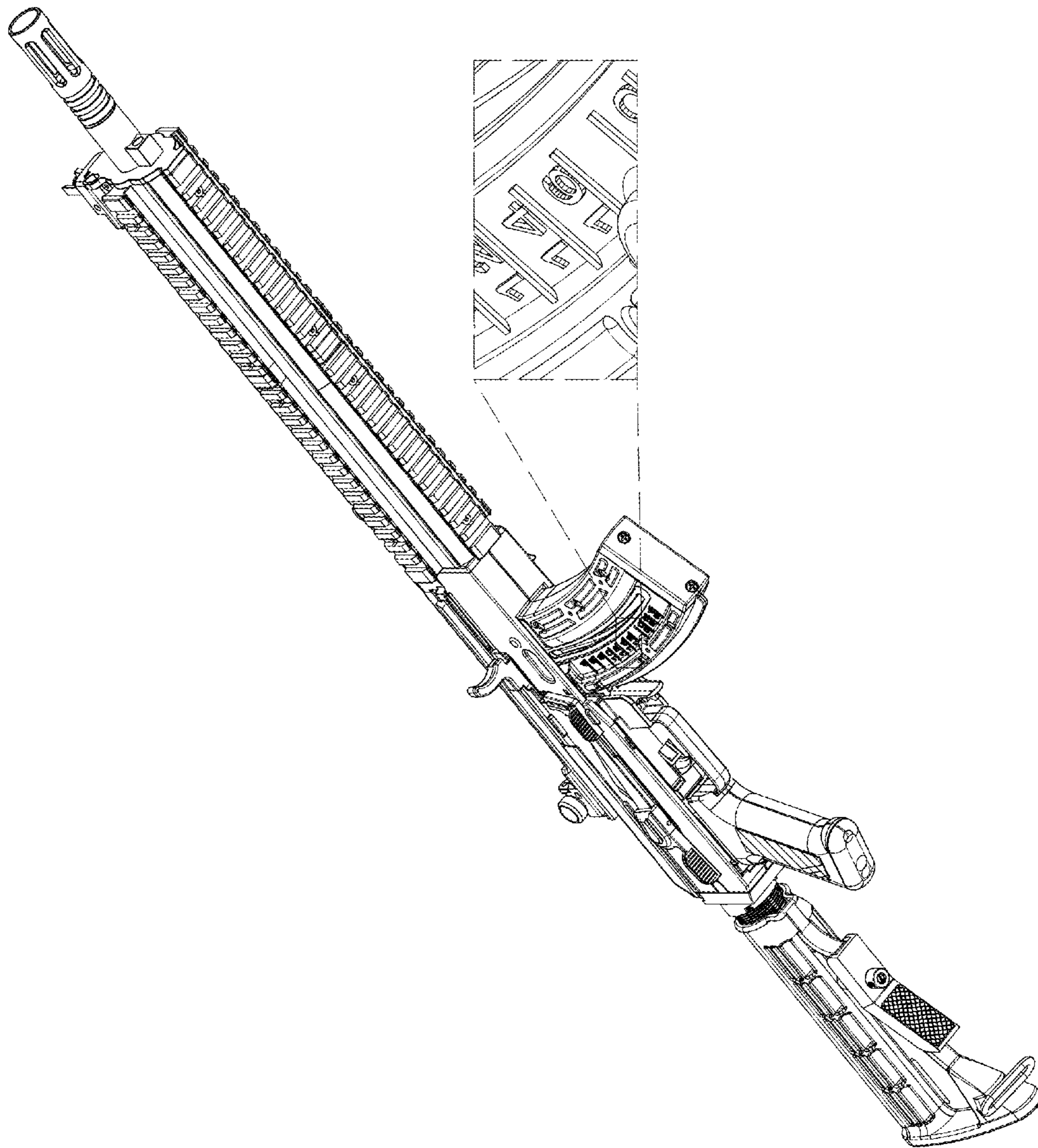


Fig. 11

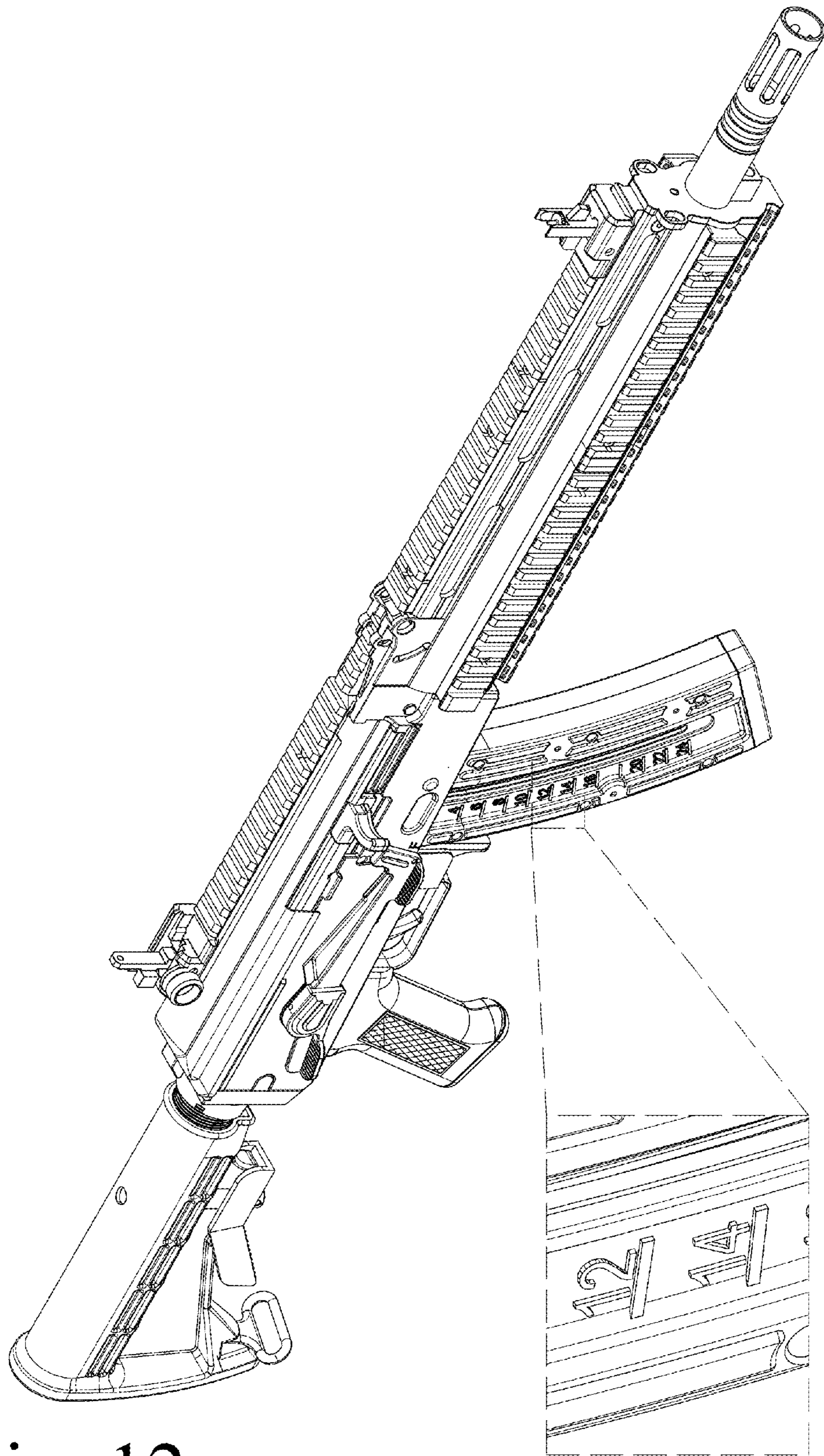


Fig. 12

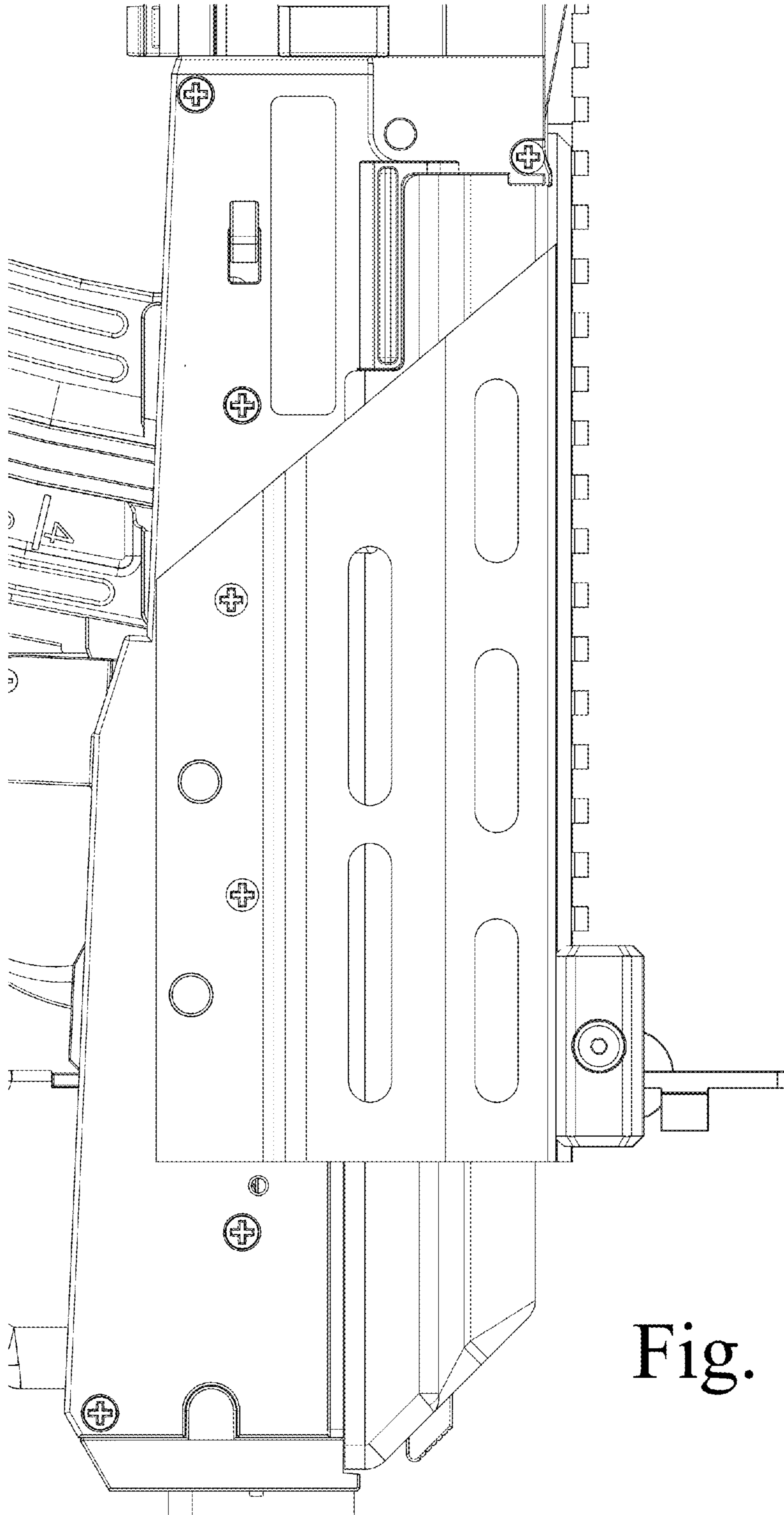


Fig. 13

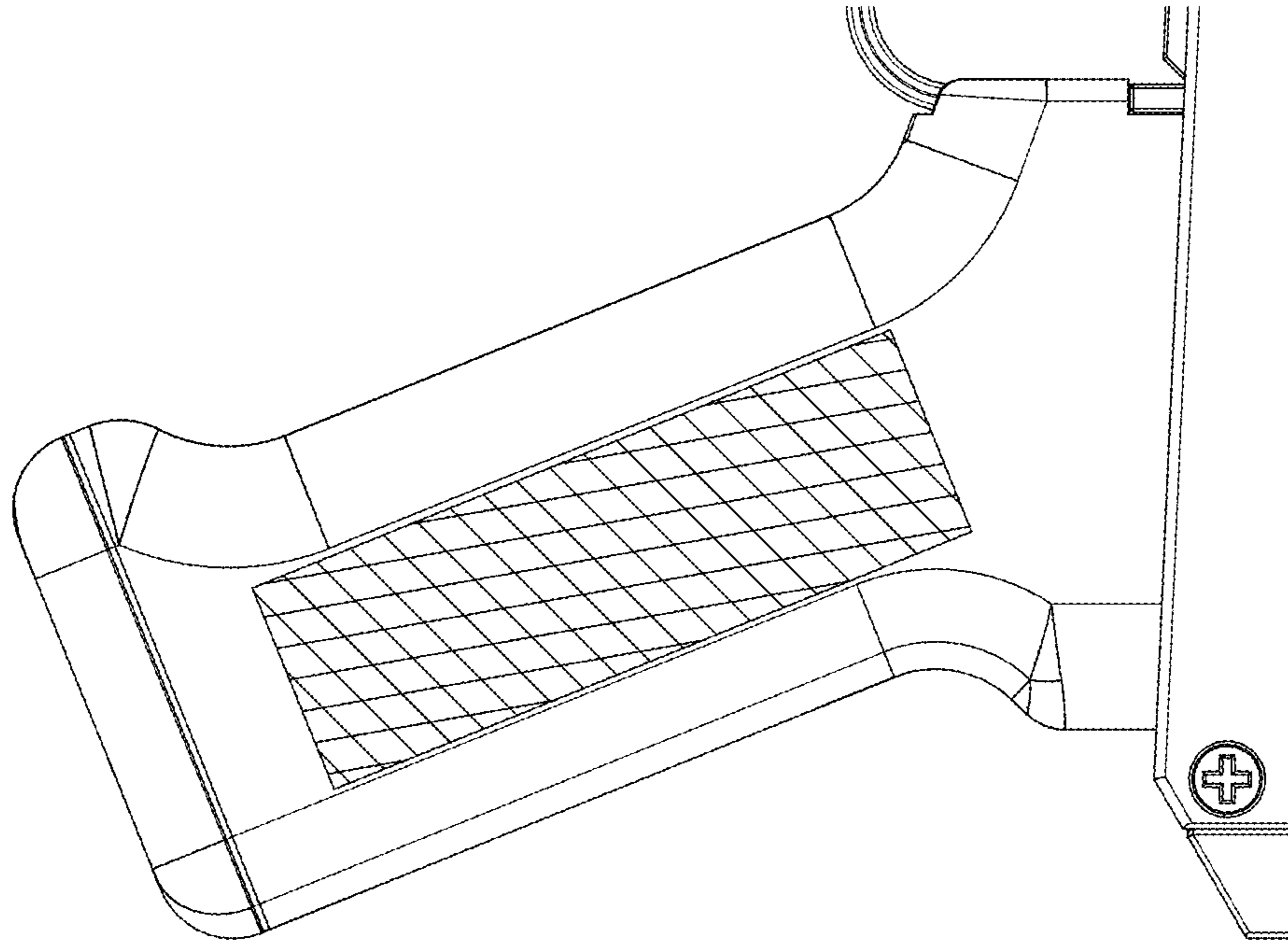


Fig. 14

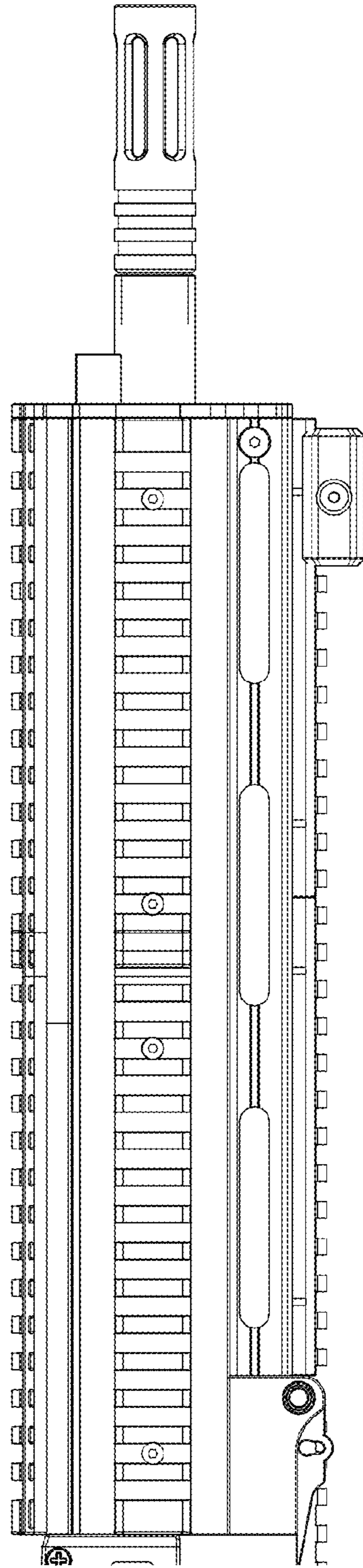


Fig. 15

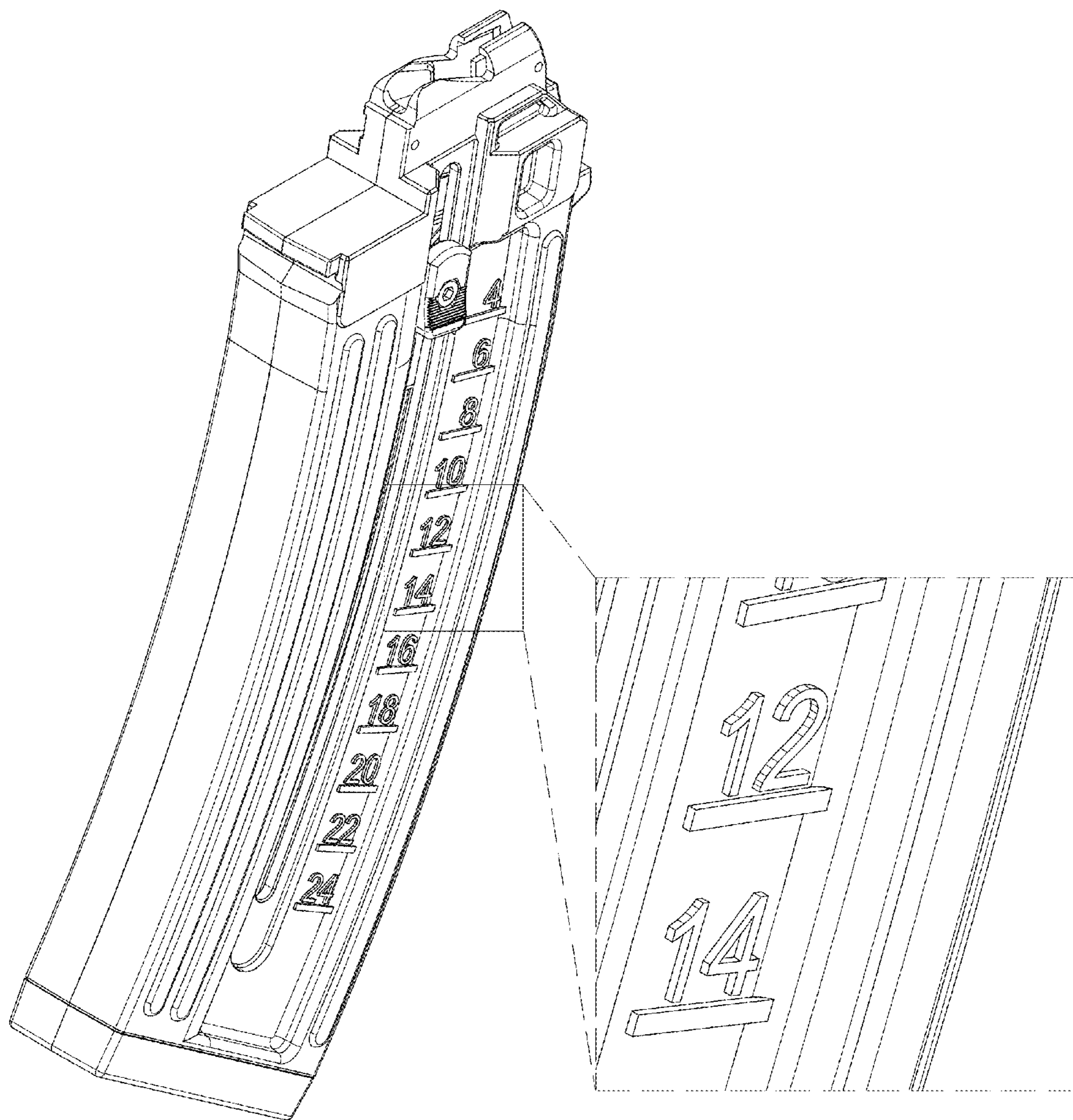


Fig. 16

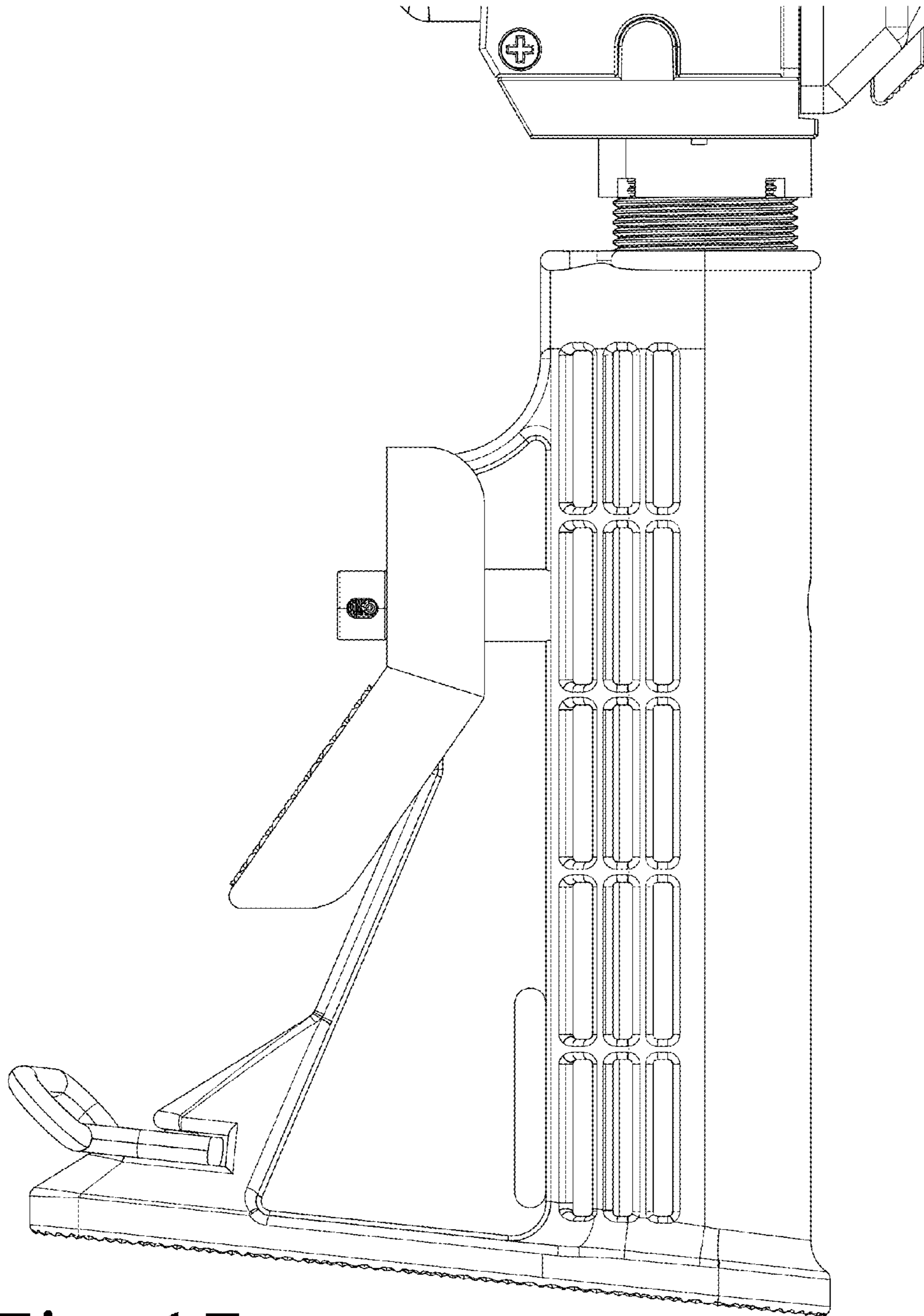


Fig. 17