



US00D680609S

(12) **United States Design Patent**
Publicover et al.

(10) **Patent No.:** **US D680,609 S**
(45) **Date of Patent:** **** Apr. 23, 2013**

(54) **REBOUNDER SKIRT**

(56) **References Cited**

(75) Inventors: **Mark W. Publicover**, Saratoga, CA
(US); **Jon P. Hylbert**, Los Gatos, CA
(US)

(73) Assignee: **Mark W. Publicover**, Saratoga, CA
(US)

(**) Term: **14 Years**

(21) Appl. No.: **29/429,633**

(22) Filed: **Aug. 14, 2012**

U.S. PATENT DOCUMENTS

4,284,271 A	8/1981	Pettit et al.
4,331,329 A	5/1982	Mirkovich et al.
4,386,772 A	6/1983	Wu
4,477,083 A	10/1984	Sowards
4,630,816 A *	12/1986	Hill 482/27
D304,850 S *	11/1989	Chambers D21/797
5,074,550 A *	12/1991	Sloan 482/29
5,374,225 A	12/1994	Wilkinson
5,385,518 A	1/1995	Turner

(Continued)

FOREIGN PATENT DOCUMENTS

KR	20-0418020 Y1	6/2006
KR	2008-0066183 A	7/2008

OTHER PUBLICATIONS

Declaration of Jon P. Hylbert, dated Aug. 16, 2012.

Primary Examiner — Susan E Krakower

(74) *Attorney, Agent, or Firm* — Klarquist Sparkman, LLP

(57) **CLAIM**

The ornamental design for a rebounder skirt, as shown and described.

DESCRIPTION

FIG. 1 is an oblique view of a first embodiment of a rebounder skirt, as viewed from above and one side.

FIG. 2 is a front elevation view of the rebounder skirt of FIG. 1, the rear elevation view being identical thereto.

FIG. 3 is an oblique view of a second embodiment of a rebounder skirt, as viewed from above and one side; and, FIG. 4 is a front elevation view of the rebounder skirt of FIG. 3, the rear elevation view being identical thereto.

The broken lines showing a rebounder frame and matt illustrate environmental structure which forms no part of the claimed design.

Related U.S. Application Data

(63) Continuation of application No. 29/400,308, filed on Aug. 25, 2011, now abandoned, which is a continuation-in-part of application No. 12/881,486, filed on Sep. 29, 2009, now abandoned, and a continuation-in-part of application No. 12/881,105, filed on Sep. 14, 2009, now abandoned, application No. 29/429,633, filed on Aug. 14, 2012, which is a continuation of application No. 29/400,308, which is a continuation-in-part of application No. PCT/US2010/048820, filed on Sep. 14, 2010, which is a continuation-in-part of application No. 12/881,486, and a continuation-in-part of application No. 12/881,105.

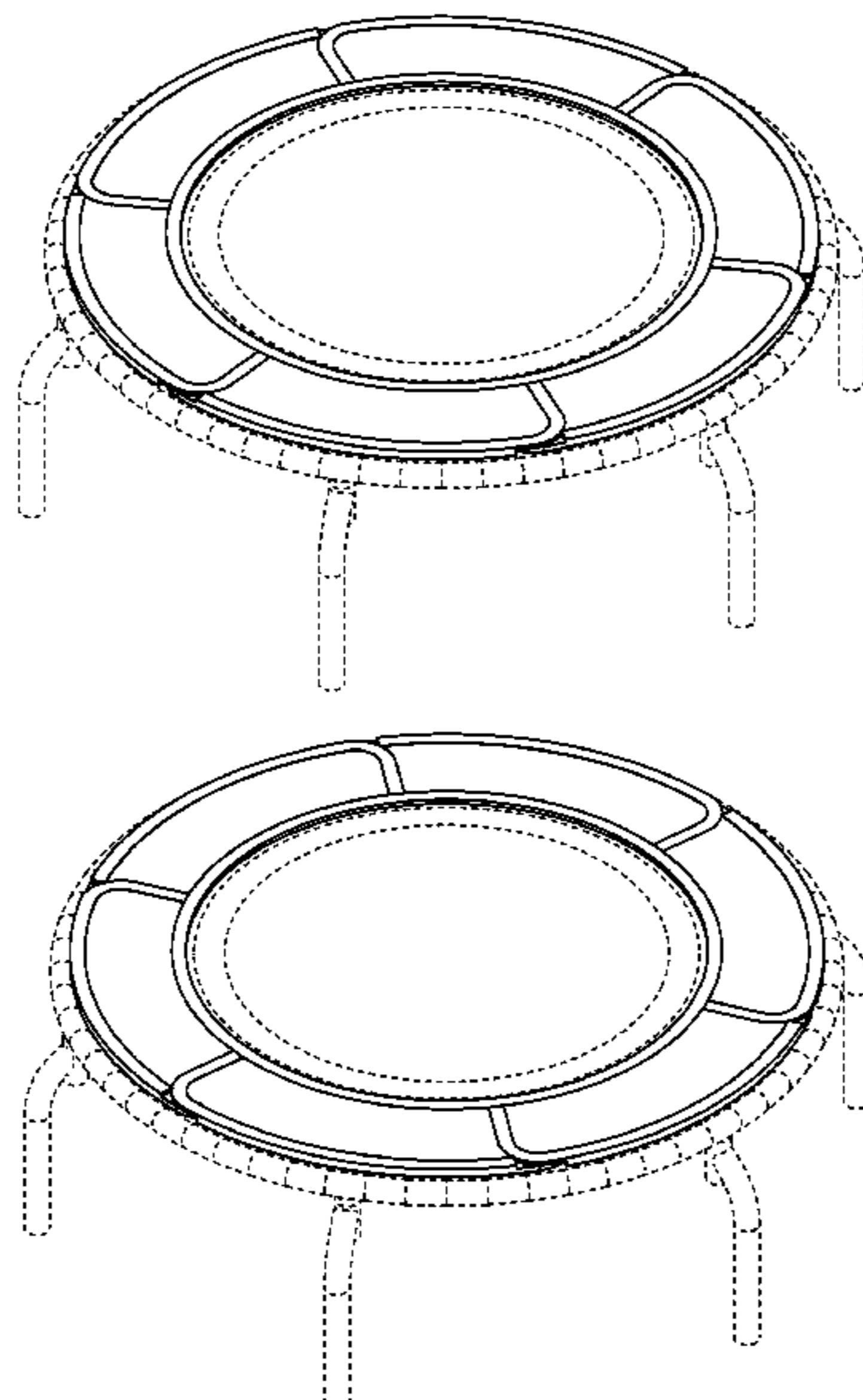
(51) **LOC (9) Cl.** **21-02**

(52) **U.S. Cl.**
USPC **D21/797**

(58) **Field of Classification Search** D21/662,
D21/672, 673, 675, 676, 686, 690, 691, 692,
D21/694, 797, 814; 482/27, 28, 29, 30, 38,
482/51, 52, 53, 79, 80, 142, 146, 147; D6/349,
D6/484

See application file for complete search history.

1 Claim, 2 Drawing Sheets



US D680,609 S

Page 2

U.S. PATENT DOCUMENTS

D362,478 S	9/1995	Wilkinson et al.		D504,711 S *	5/2005	Hsiung	D21/797
D363,325 S *	10/1995	Wilkinson	D21/797	D560,082 S	1/2008	Theemann	
D379,682 S *	6/1997	Rafaat	D30/118	7,494,445 B1	2/2009	Chen	
5,645,510 A *	7/1997	Wilkinson	482/27	D621,185 S	8/2010	Alvarez	
D382,618 S	8/1997	Gift		D630,285 S *	1/2011	Hsiang	D21/797
6,001,045 A	12/1999	Gift et al.		8,197,390 B2 *	6/2012	Ikegami	482/29
6,036,620 A	3/2000	Yang		D666,266 S *	8/2012	Publicover et al.	D21/797
6,139,474 A	10/2000	Gift et al.		2001/0000250 A1	4/2001	Steger	
6,162,061 A *	12/2000	Taylor	434/253	2005/0043142 A1	2/2005	Rieber	
6,193,632 B1	2/2001	Steger		2005/0054485 A1 *	3/2005	McDermott et al.	482/27
D440,415 S	4/2001	Bellini		2005/0148433 A1 *	7/2005	Wang et al.	482/27
6,264,583 B1	7/2001	Rich					

* cited by examiner

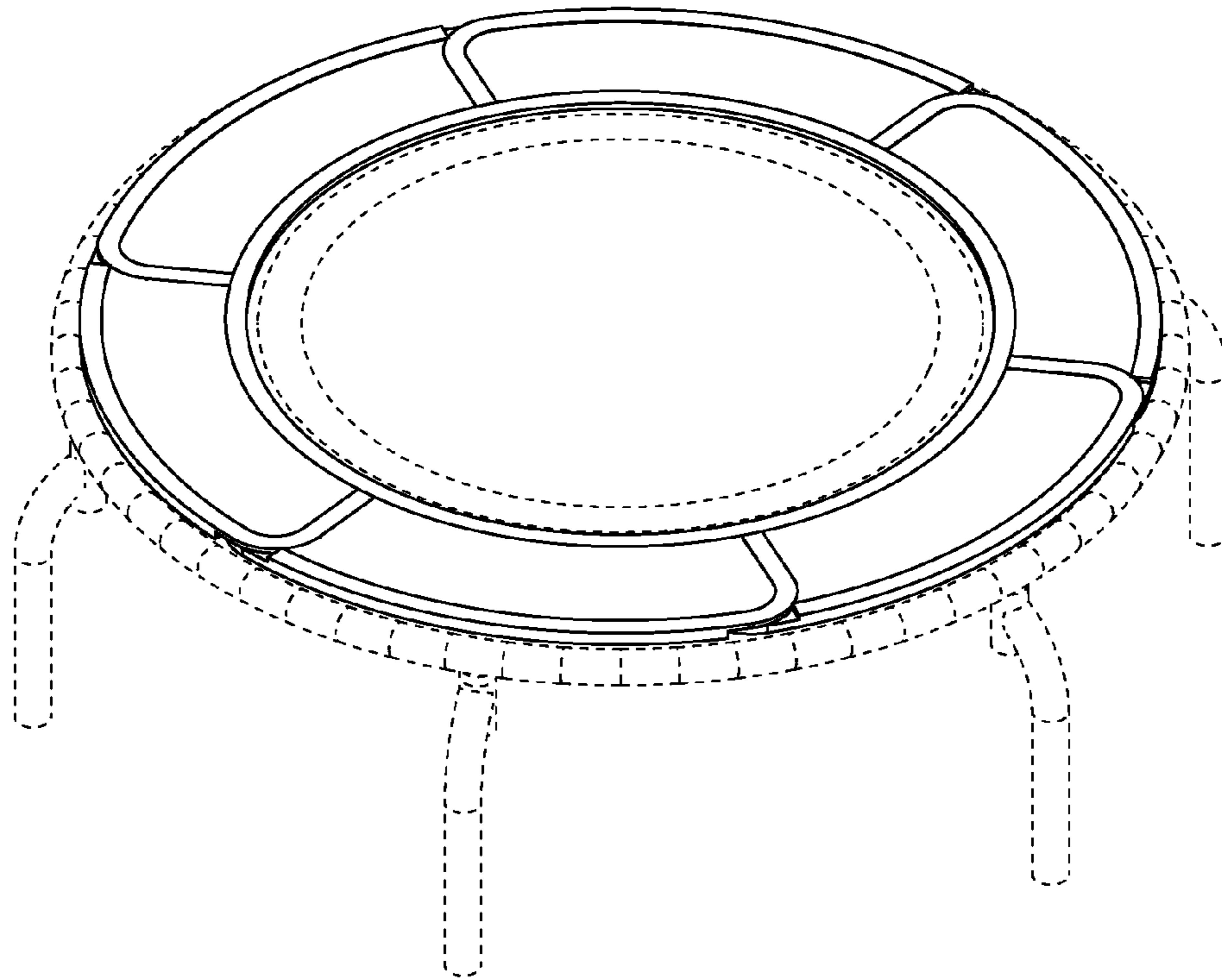


FIG. 1

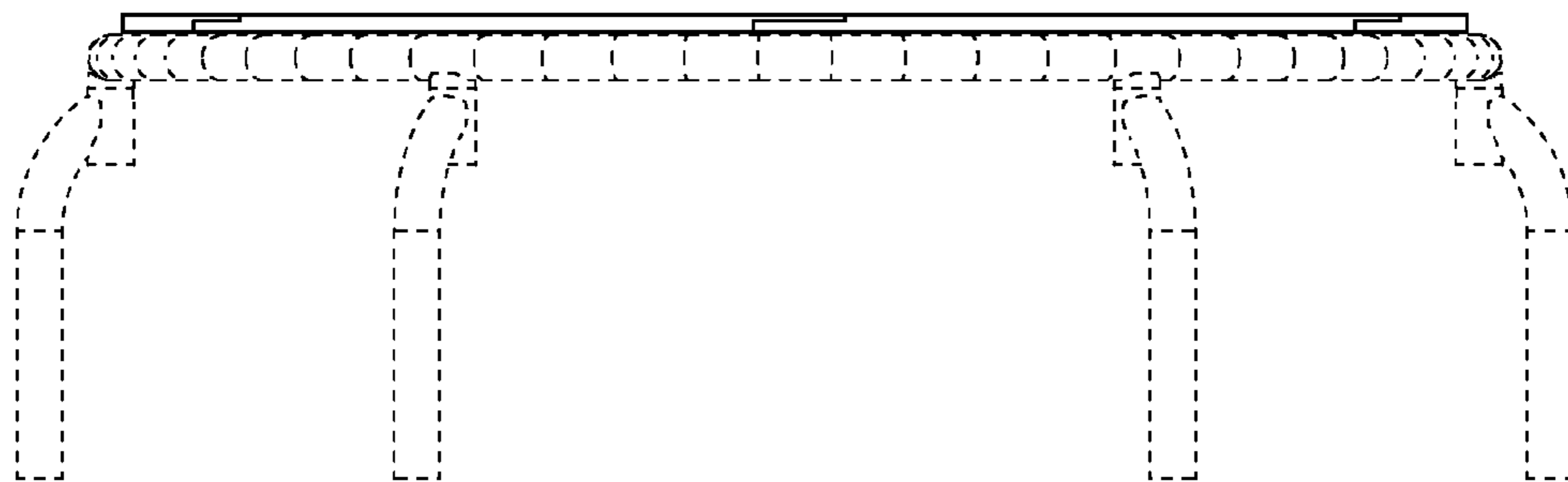


FIG. 2

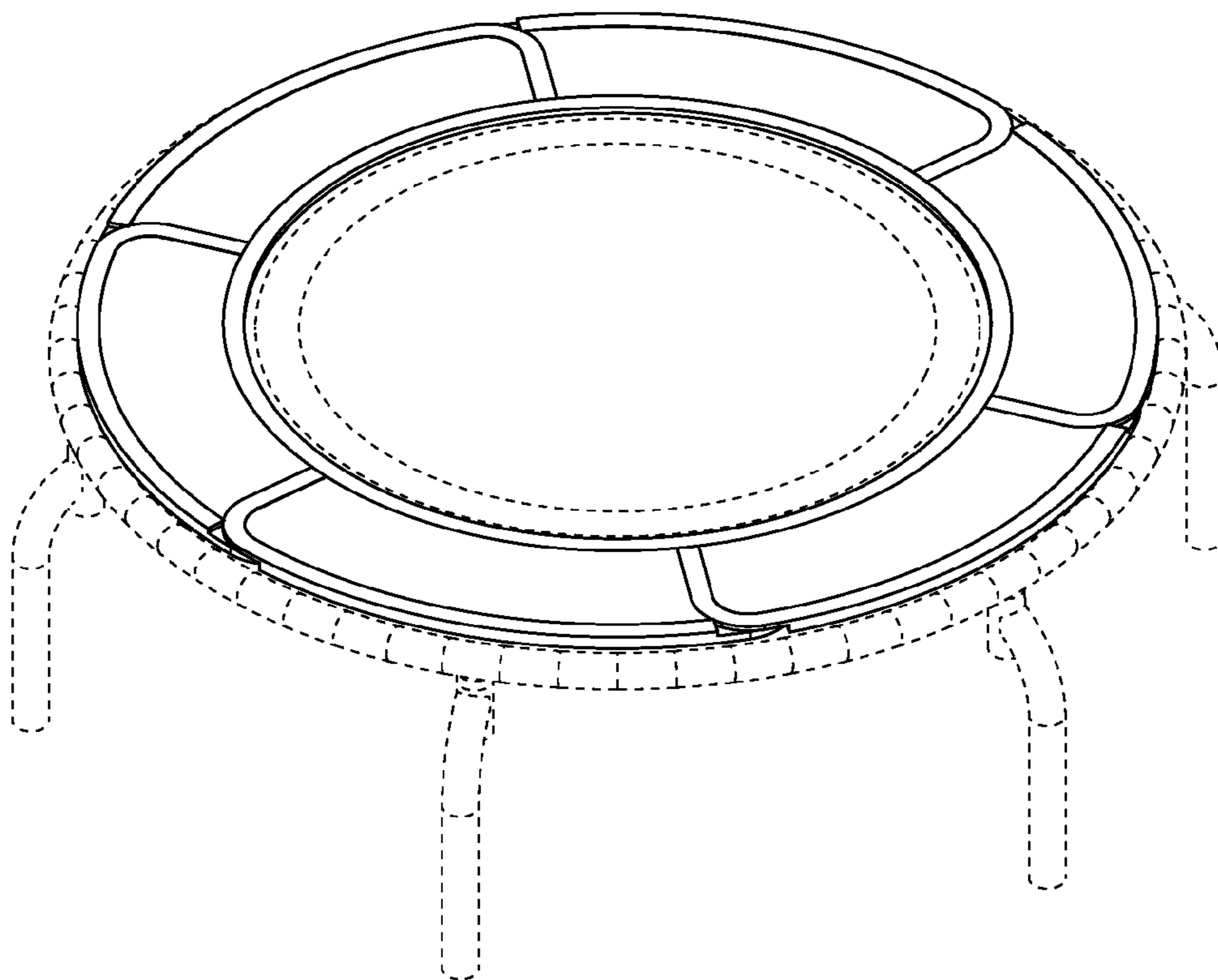


FIG. 3

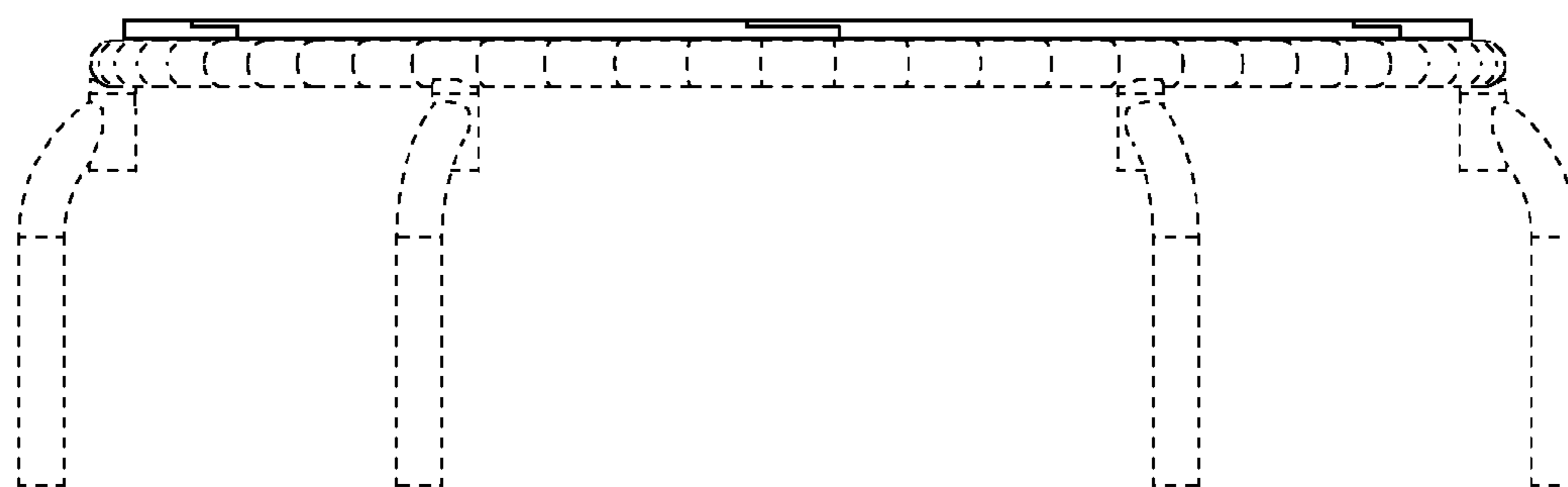


FIG. 4