



US00D680607S

(12) **United States Design Patent**
Claybon

(10) **Patent No.:** **US D680,607 S**
(45) **Date of Patent:** **** Apr. 23, 2013**

- (54) **PUNCHING BAG TARGET STRAP**
- (76) Inventor: **Terry Claybon**, Los Angeles, CA (US)
- (**) Term: **14 Years**
- (21) Appl. No.: **29/374,624**
- (22) Filed: **Sep. 13, 2011**
- (51) **LOC (9) Cl.** **21-02**
- (52) **U.S. Cl.**
USPC **D21/787**; D21/699
- (58) **Field of Classification Search** D21/302,
D21/306, 312-321, 334-368, 385, 397, 662,
D21/694, 698, 699, 780-800; D5/20, 27,
D5/55, 63-65, 99; D6/582, 588, 589, 597,
D6/598, 608-610, 612-614, 616, 618-620;
D8/394-396; D10/46.1, 103, 109.1, 109.2,
D10/113.2, 114.6, 121; D11/200-205, 238-240,
D11/3-5, 95, 97, 99-102, 172-174; D20/10-12,
D20/19, 22-25, 27, 29-32, 40-42; D19/59,
D19/60, 62, 64; 482/83-90; 273/348-412;
40/1, 306, 309, 327, 360, 642.02, 660, 661.08,
40/665, 606.12; 283/117; 116/209, 210,
116/222; 434/247, 251, 255, 256, 257
See application file for complete search history.

(56) **References Cited**

U.S. PATENT DOCUMENTS

398,186	A *	2/1889	Reh fuss	273/404
D384,378	S *	9/1997	Sigler	D21/787
6,234,940	B1 *	5/2001	Fotsis	482/83
6,302,831	B1 *	10/2001	Henry	482/83
6,872,171	B2 *	3/2005	Haselrig	482/83
D518,136	S *	3/2006	Myslinski	D21/788

D560,252	S *	1/2008	Ingle	D19/59
D584,785	S *	1/2009	McDonald	D21/787
7,887,467	B2 *	2/2011	Booker	482/83
7,909,749	B2 *	3/2011	Sheedy	482/148
8,029,422	B2 *	10/2011	Strong et al.	482/83
D665,031	S *	8/2012	Shea	D21/302
2008/0076636	A1 *	3/2008	Smith	482/1
2010/0184010	A1 *	7/2010	Perez	434/247

FOREIGN PATENT DOCUMENTS

CN	300730444	*	1/2008
CN	301439189	*	1/2011
EM	000028907-0003	*	10/2003
EM	000562830-0002	*	9/2006
EM	001041560-0003	*	4/2009

* cited by examiner

Primary Examiner — Catherine Tuttle
(74) *Attorney, Agent, or Firm* — Rodgers & Rodgers

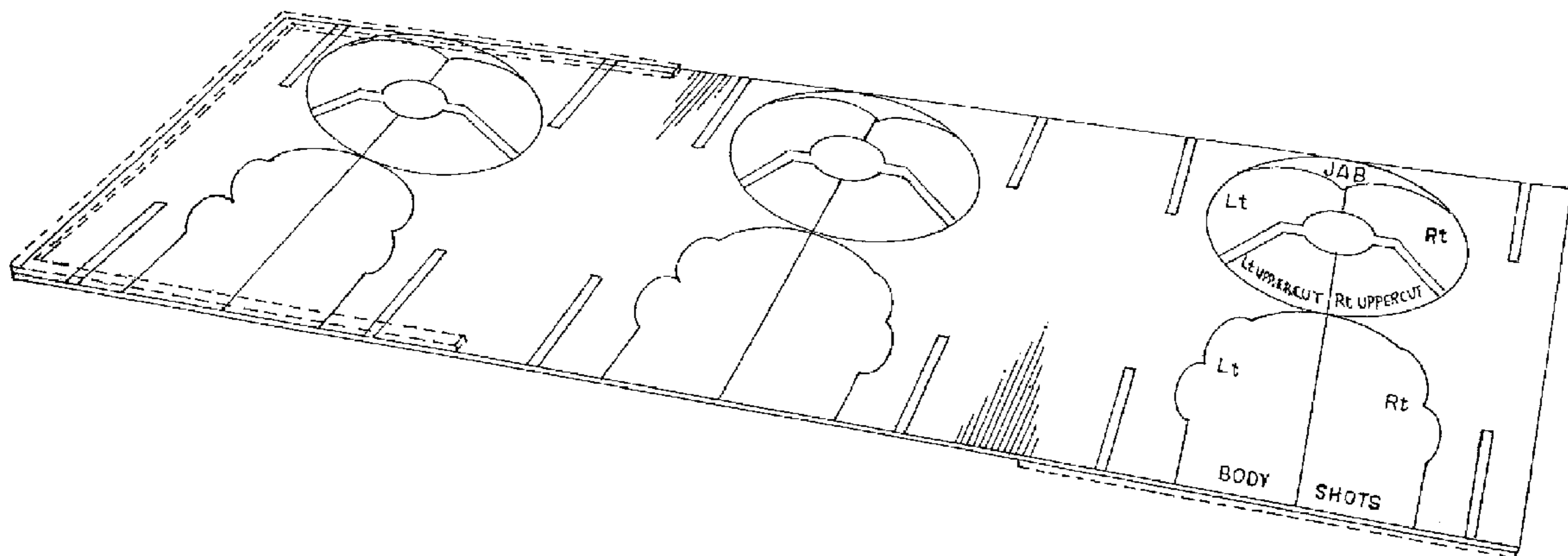
(57) **CLAIM**

The ornamental design for a punching bag target strap, as shown and described.

DESCRIPTION

FIG. 1 is a perspective view of a punching bag target strap showing my new design;
 FIG. 2 is a top plan view;
 FIG. 3 is a front elevational view thereof;
 FIG. 4 is a bottom plan view thereof;
 FIG. 5 is a rear elevational view thereof; and,
 FIG. 6 is an end view thereof, the opposite end being the same in appearance.
 The dotted lines are included for the purpose of illustrating environment and form no part of the claimed design.

1 Claim, 3 Drawing Sheets



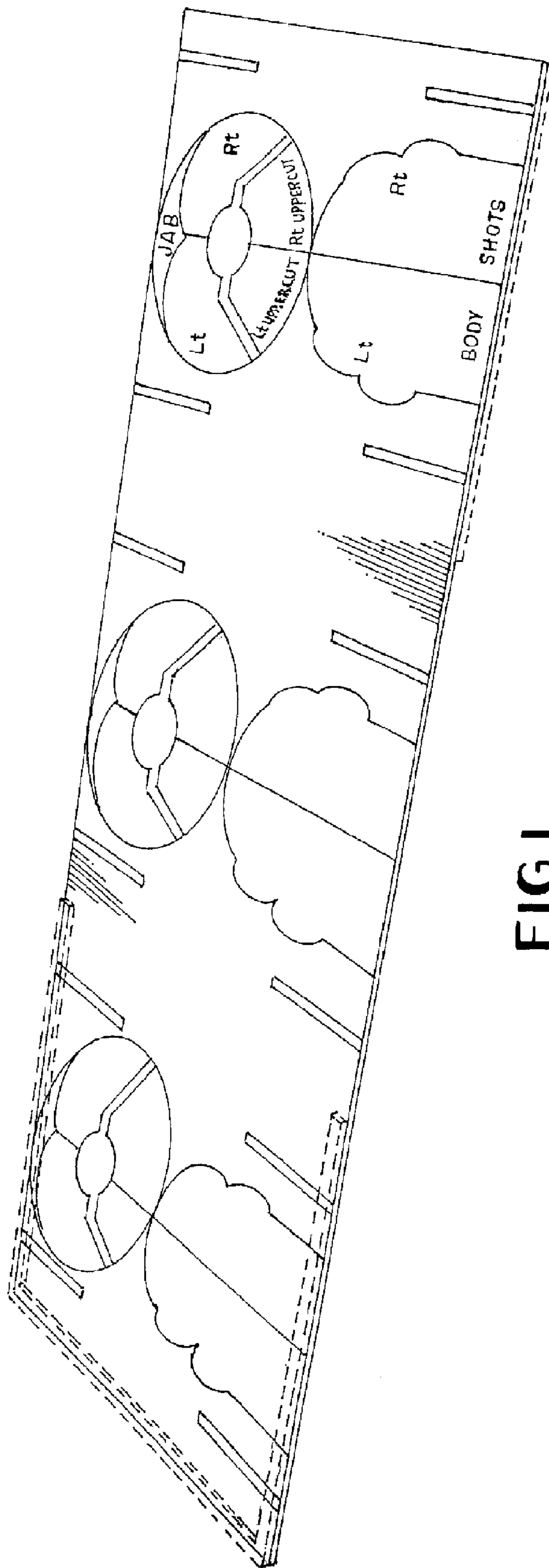


FIG. 1

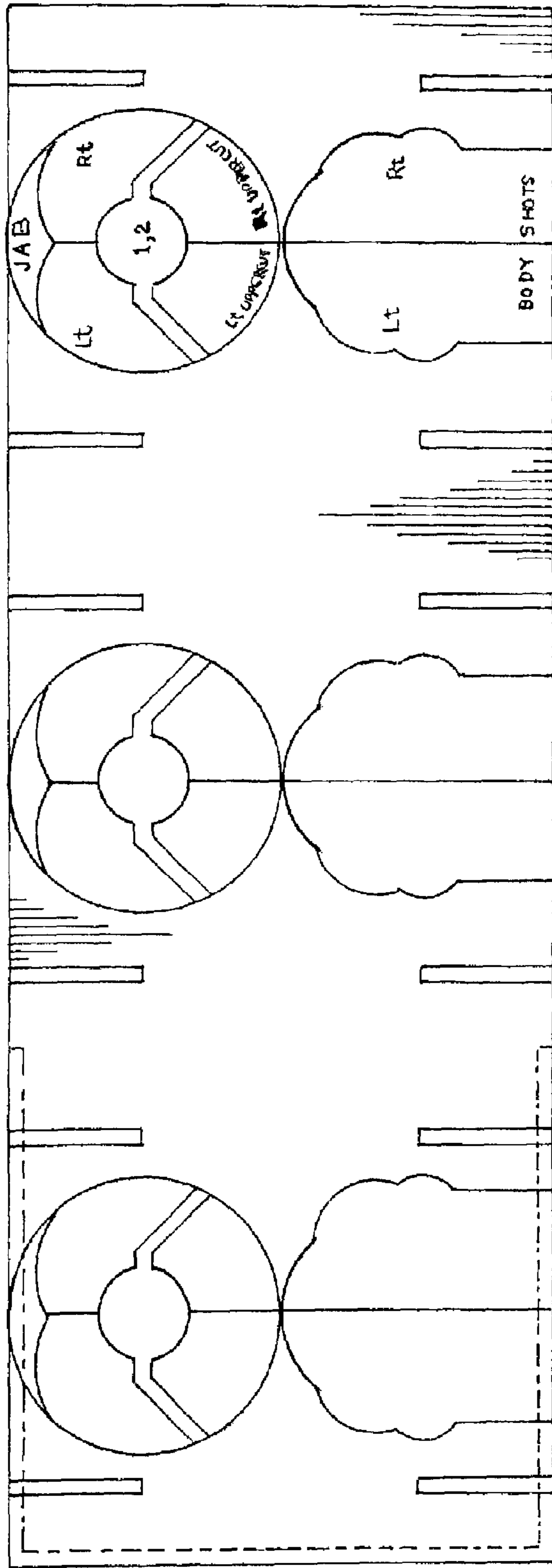


FIG. 2

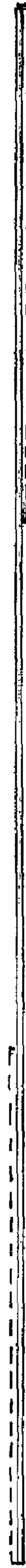


FIG. 3

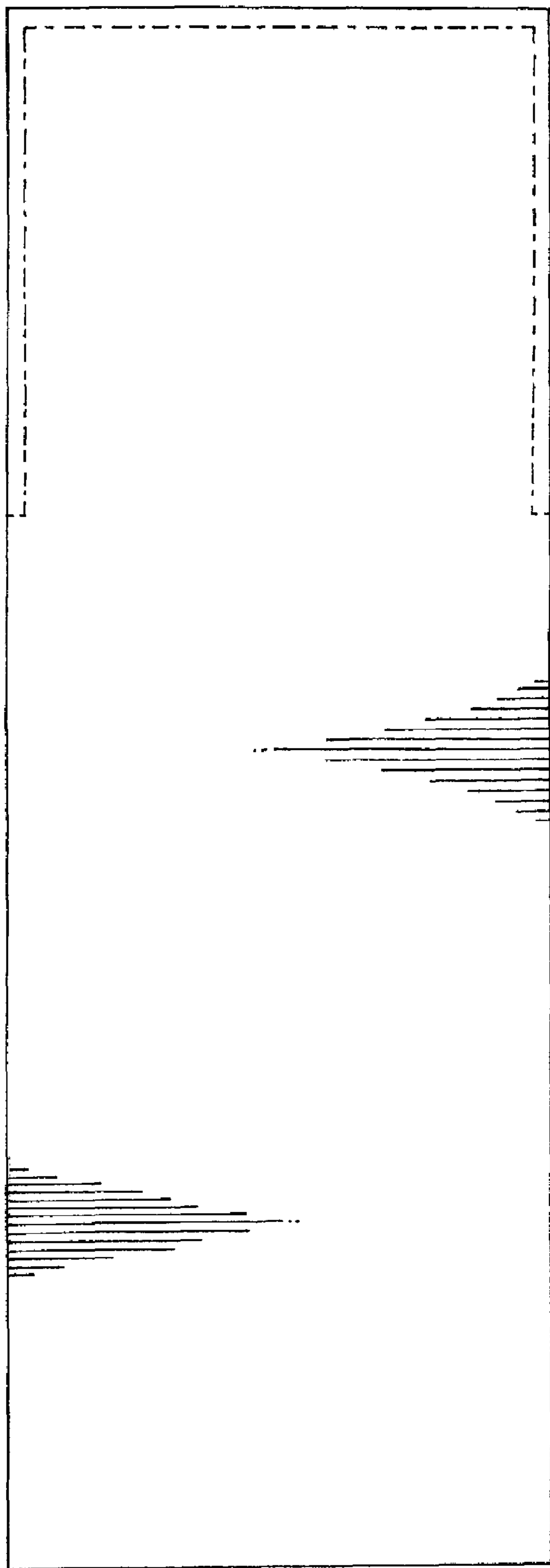


FIG. 4



FIG. 5



FIG. 6