



US00D680602S

(12) **United States Design Patent**
Holman

(10) **Patent No.:** **US D680,602 S**

(45) **Date of Patent:** **** Apr. 23, 2013**

(54) **TWO-SIDED PUTTER**

D435,072 S * 12/2000 Jaeckel D21/738
D468,381 S * 1/2003 Parker D21/738
D570,933 S * 6/2008 Kramski D21/742

(76) Inventor: **Tim Holman**, Oceanside, CA (US)

* cited by examiner

(**) Term: **14 Years**

Primary Examiner — Mitchell Siegel

(21) Appl. No.: **29/413,774**

(74) *Attorney, Agent, or Firm* — Steven W. Webb

(22) Filed: **Feb. 21, 2012**

(57) **CLAIM**

I claim the ornamental design for the two-sided putter, as shown and described.

(51) **LOC (9) Cl.** **21-02**

DESCRIPTION

(52) **U.S. Cl.**
USPC **D21/738**

(58) **Field of Classification Search** D21/736-746;
473/324-331, 340-341, 251-256

See application file for complete search history.

FIG. 1 is a perspective view of the two-sided putter.
FIG. 2 is a front elevational view of the two-sided putter; the undisclosed opposite side being identical.
FIG. 3 is the top view of the two-sided putter.
FIG. 4 is the bottom view of the two-sided putter; and,
FIG. 5 is an end view of the two-sided putter.

The broken line showing of the fragmented shaft on FIG. 1 is included for the purpose of illustrating and forms no part of the claimed design.

(56) **References Cited**

U.S. PATENT DOCUMENTS

5,595,385 A * 1/1997 Jablonski 473/340
D408,065 S * 4/1999 Broadbridge D21/736

1 Claim, 3 Drawing Sheets

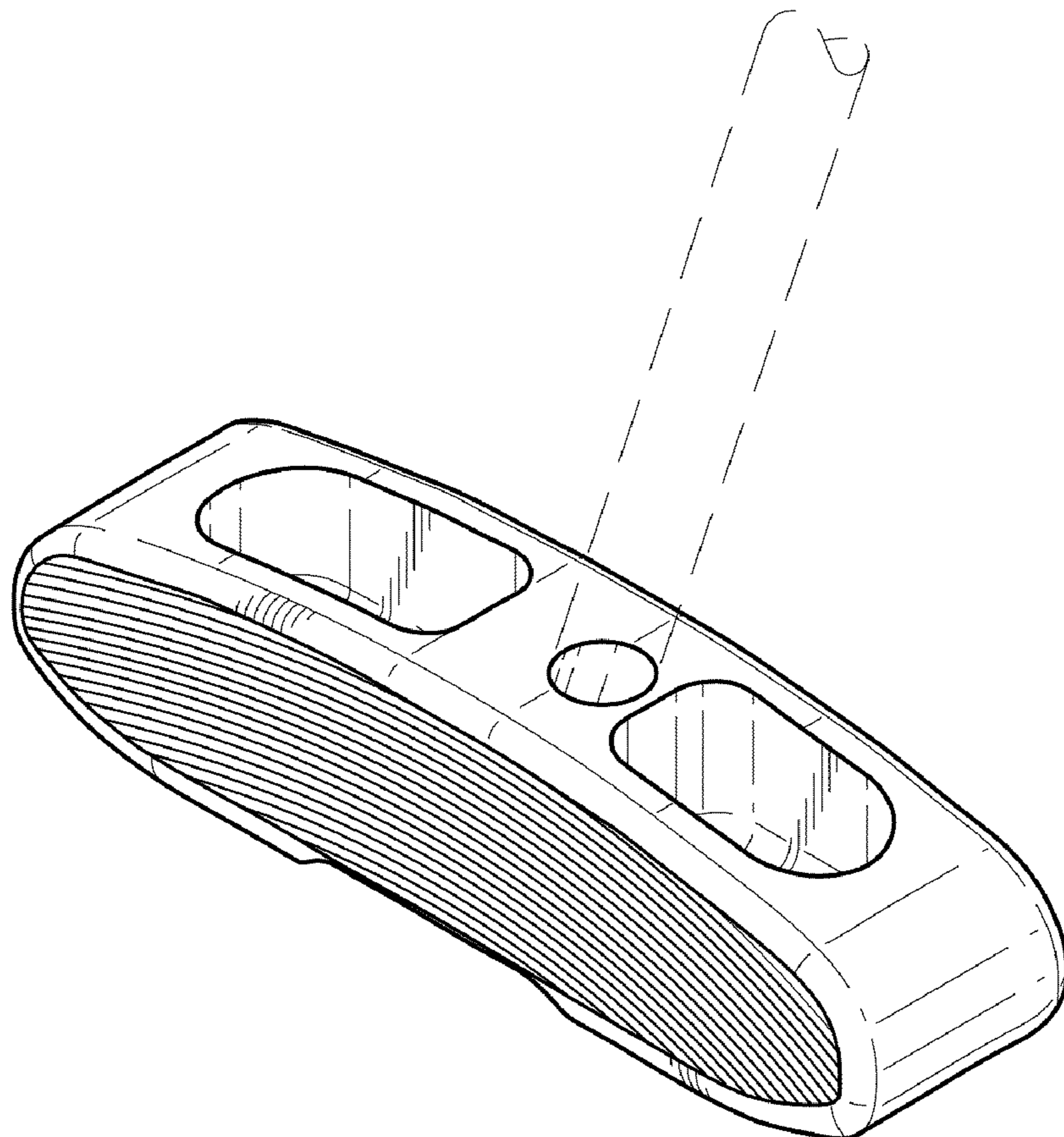


FIG. 1

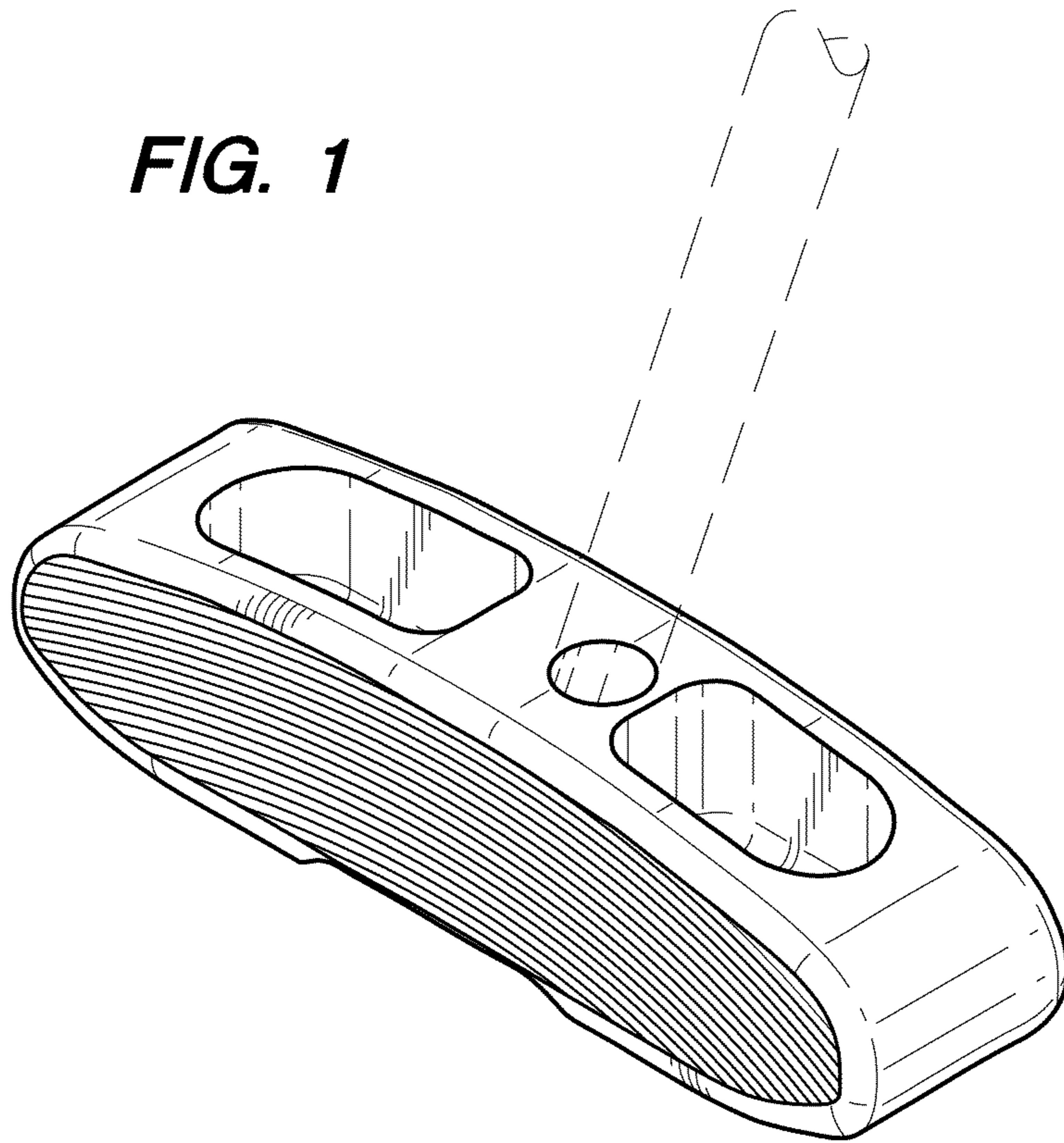


FIG. 2

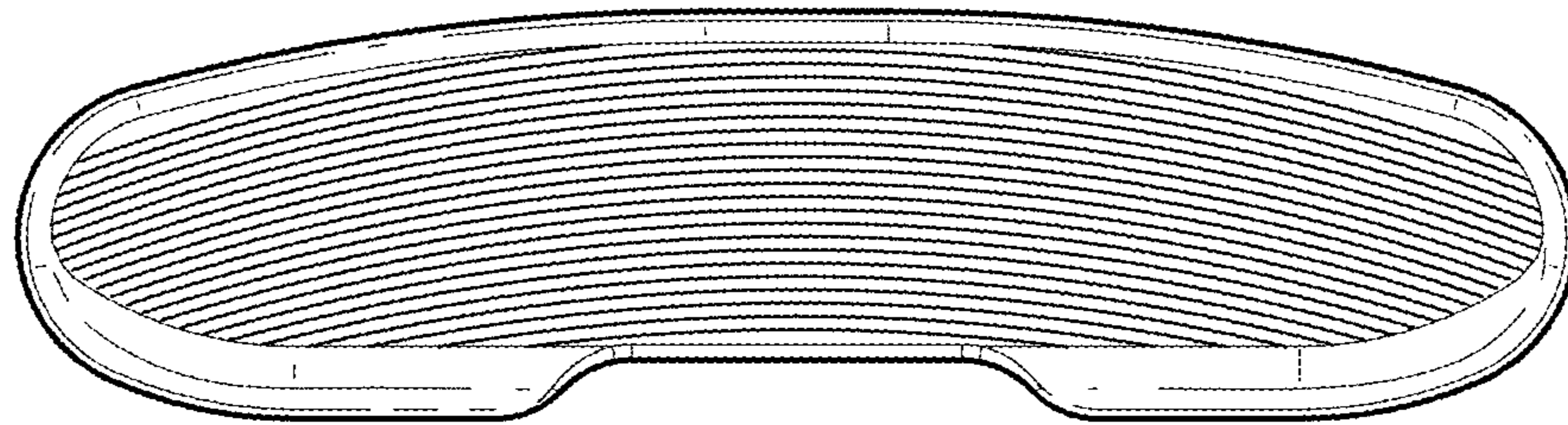


FIG. 3

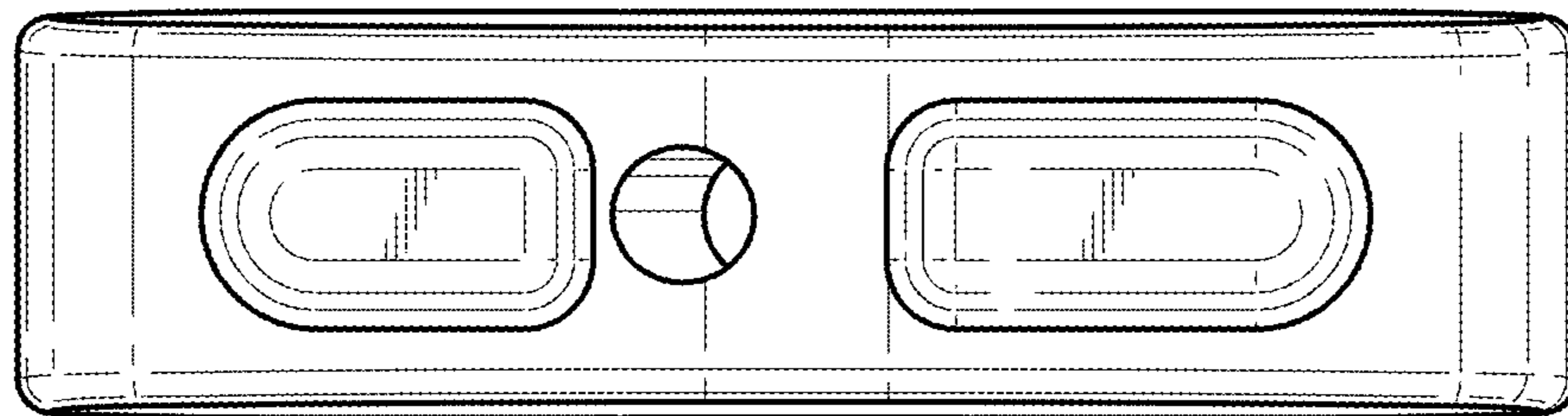


FIG. 4

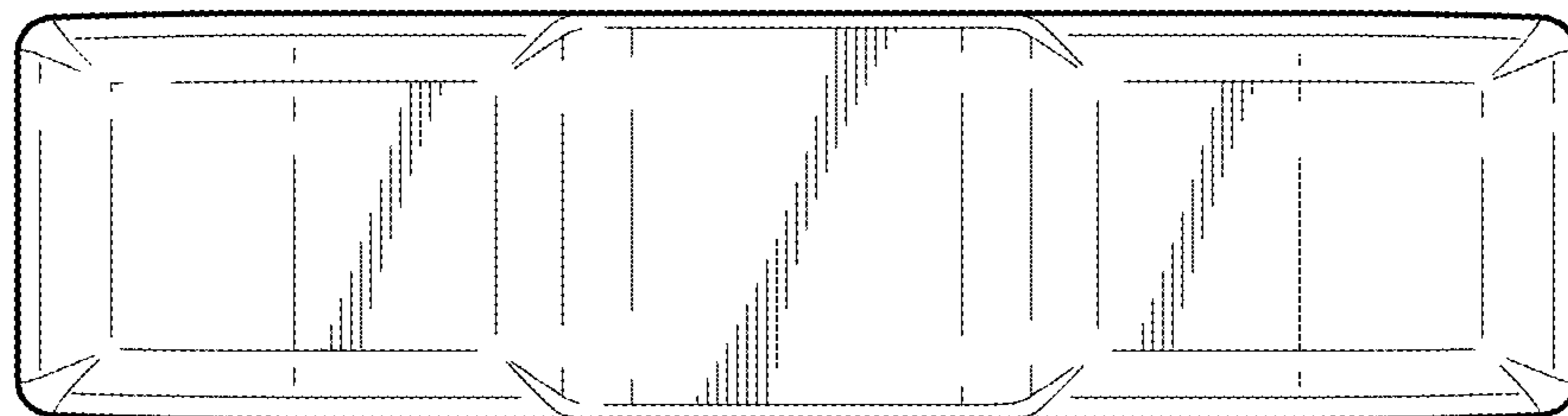


FIG. 5

