



US00D680595S

(12) **United States Design Patent**
Riley

(10) **Patent No.:** **US D680,595 S**

(45) **Date of Patent:** **** Apr. 23, 2013**

- (54) **MODEL RAILROAD RAIL**
- (75) Inventor: **H. Lee Riley**, Middletown, DE (US)
- (73) Assignee: **Bachmann Industries, Inc.**,
Philadelphia, PA (US)
- (**) Term: **14 Years**
- (21) Appl. No.: **29/409,845**
- (22) Filed: **Dec. 29, 2011**
- (51) **LOC (9) Cl.** **16-05**
- (52) **U.S. Cl.**
USPC **D21/540**; D25/119
- (58) **Field of Classification Search** D21/540;
D8/382, 394, 395, 499; D25/119; 238/146,
238/219, 243; 246/382, 454, 463, 468, 472;
411/366, 368, 378, 537, 538
See application file for complete search history.

3,420,441	A *	1/1969	Deckert	238/243
5,161,891	A *	11/1992	Austill	374/141
5,743,496	A *	4/1998	Atkinson, Jr.	246/463
D447,252	S *	8/2001	Gardner	D25/136
D464,152	S *	10/2002	Nelson et al.	D25/136
D479,797	S *	9/2003	Wall	D8/382
2007/0090201	A1 *	4/2007	Jones	238/122

* cited by examiner

Primary Examiner — Philip S Hyder

Assistant Examiner — Darlington Ly

(74) *Attorney, Agent, or Firm* — Eckert Seamans Cherin & Mellott, LLC; Stephen A. Bucchianeri

(57) **CLAIM**

The ornamental design for a model railroad rail, as shown and described.

DESCRIPTION

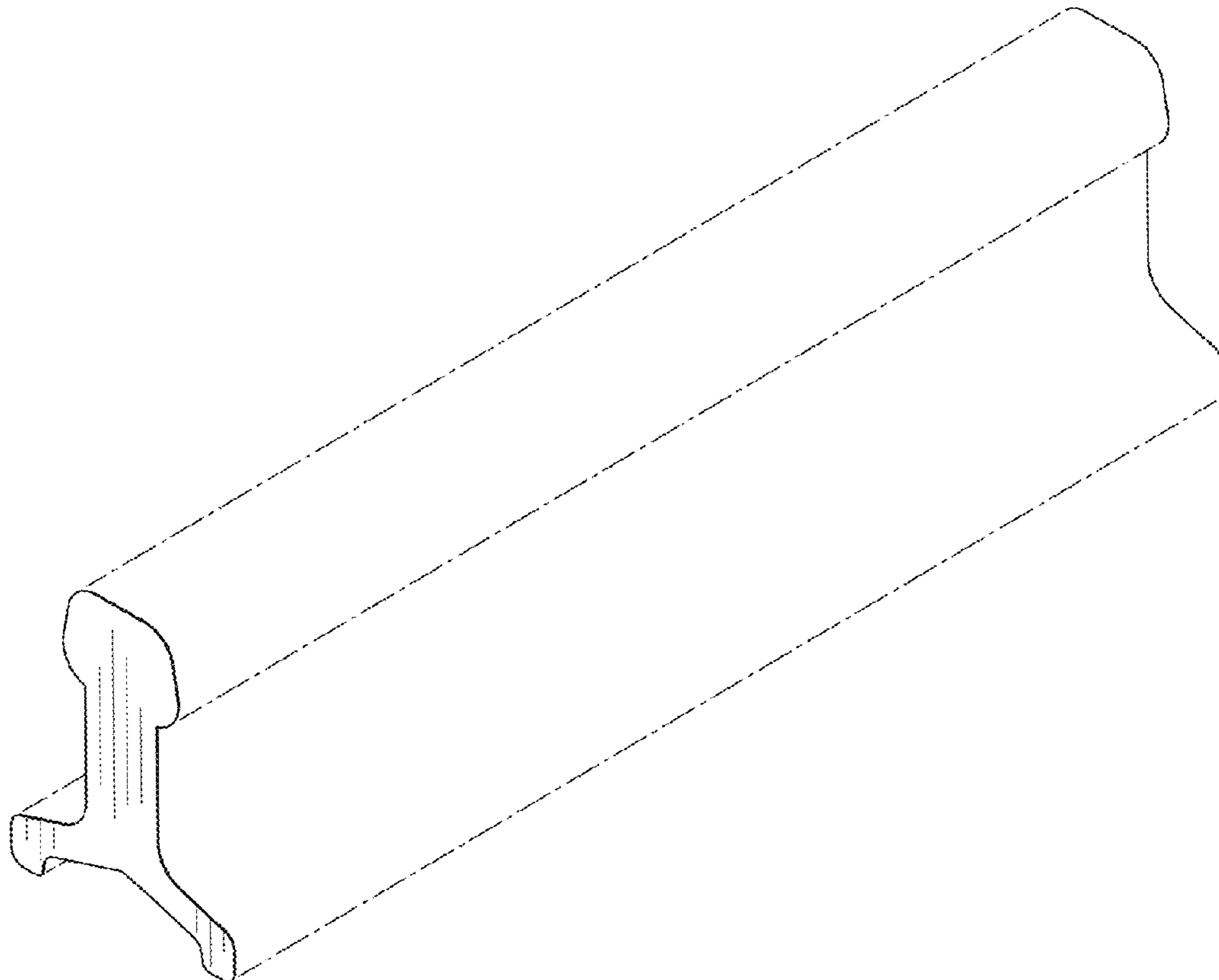
FIG. 1 is an isometric view of the model railroad rail;
 FIG. 2 is a first end view of the model railroad rail;
 FIG. 3 is a second end view of the model railroad rail;
 FIG. 4 is top view of the model railroad rail;
 FIG. 5 is a first side view of the model railroad rail;
 FIG. 6 is a second side view of the model railroad rail; and,
 FIG. 7 is a bottom view of the model railroad rail.
 The broken lines in the drawings show the model railroad rail that forms no part of the claimed design.

1 Claim, 4 Drawing Sheets

(56) **References Cited**

U.S. PATENT DOCUMENTS

1,719,986	A *	7/1929	Lo Monaco	238/125
1,722,720	A *	7/1929	Voegtly	238/125
1,849,021	A *	3/1932	Capelle	238/146
1,887,252	A *	11/1932	Thomas	238/219
2,596,619	A *	5/1952	Thomson	238/125
3,008,581	A *	11/1961	Kohler	211/11



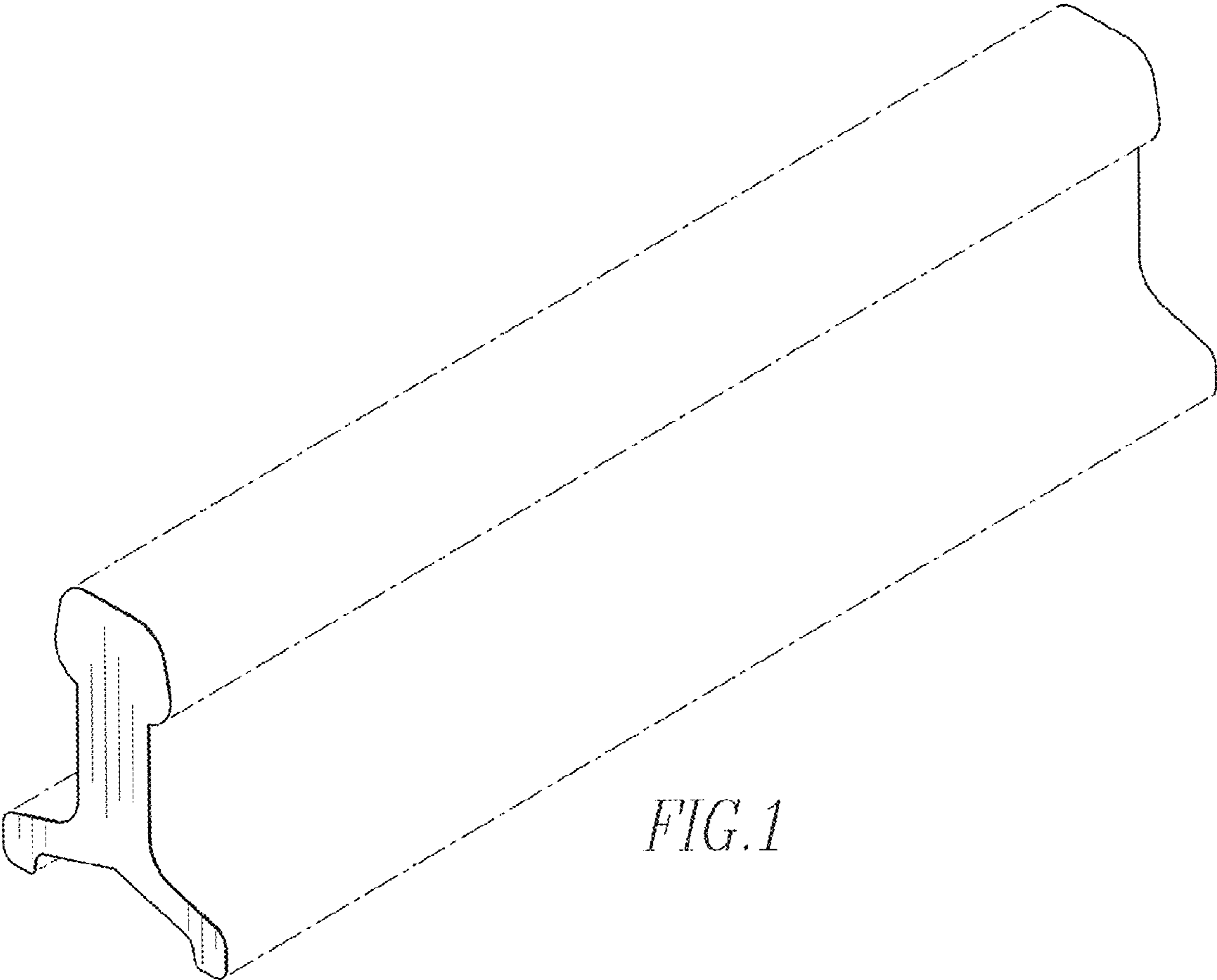


FIG. 1

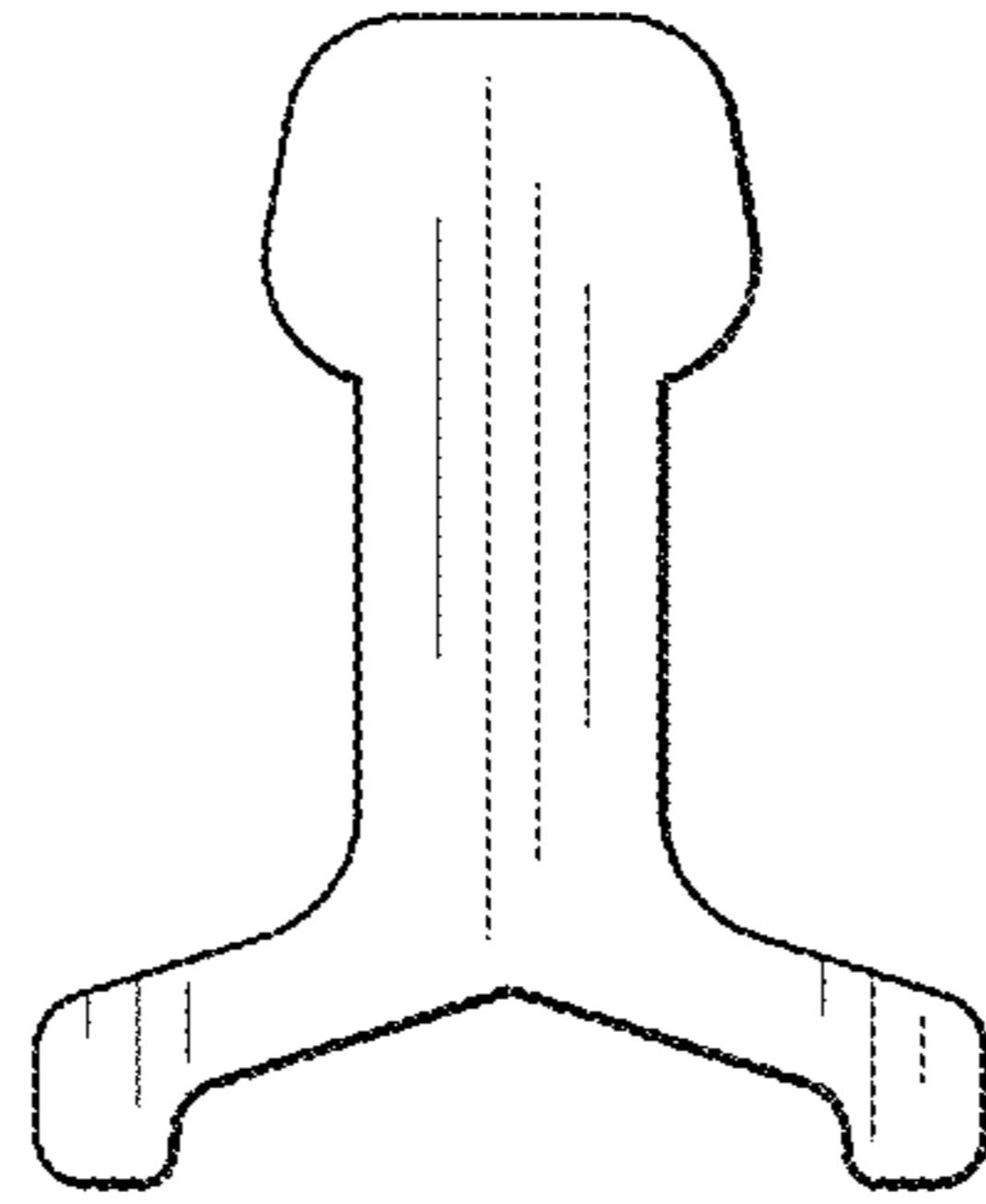


FIG. 2

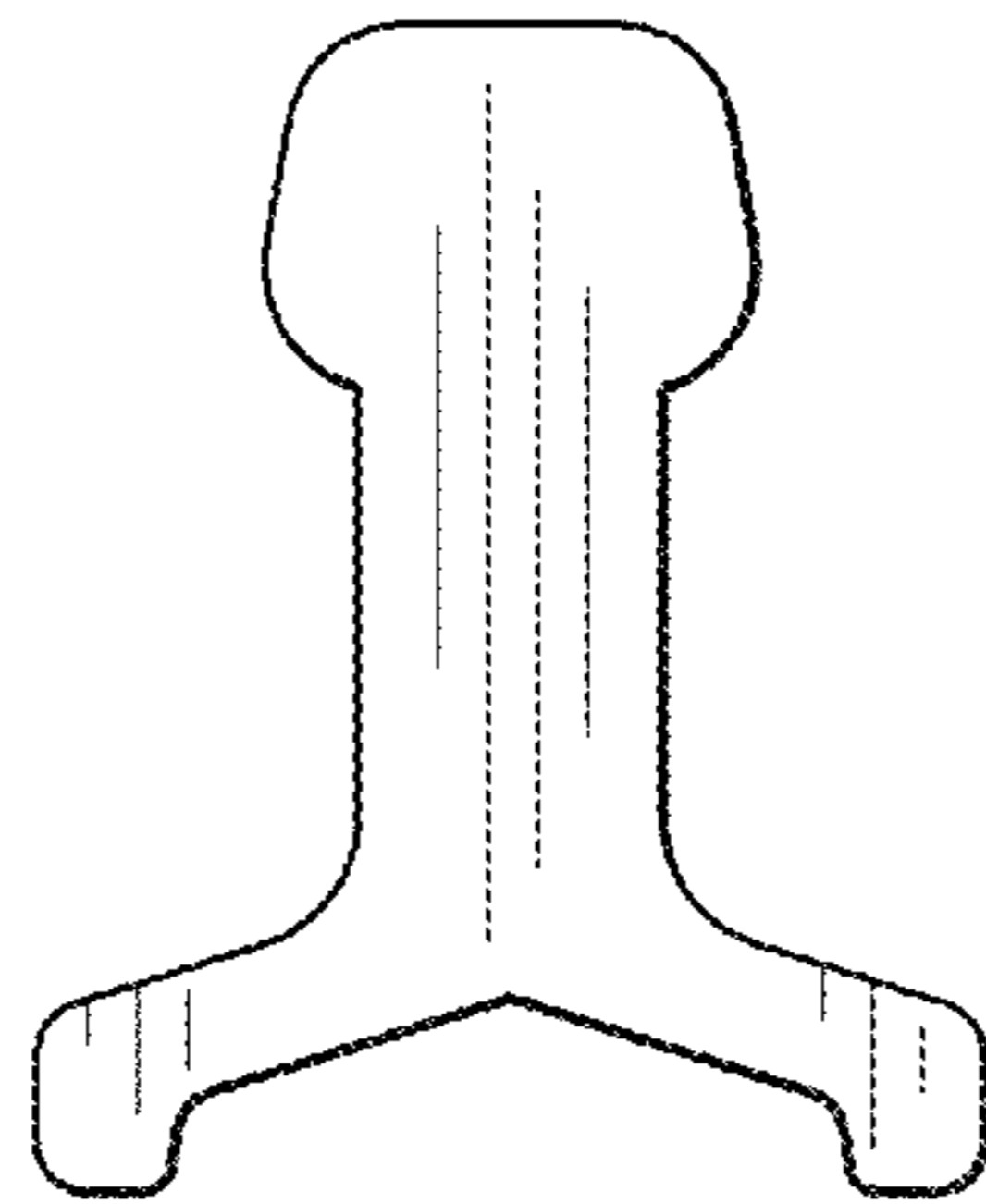


FIG. 3



FIG. 4

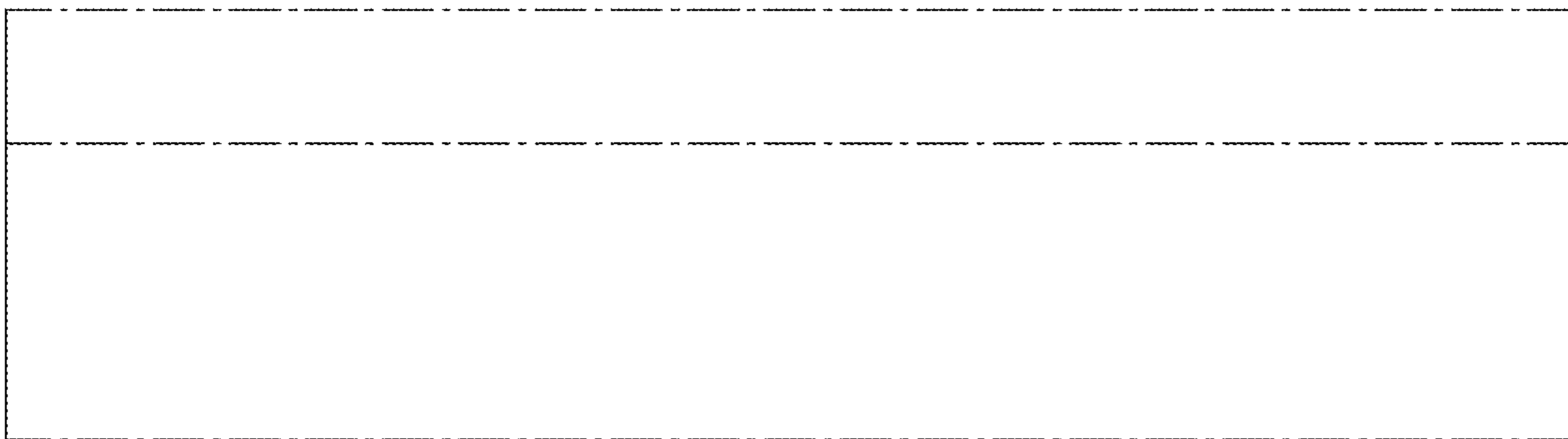


FIG. 5

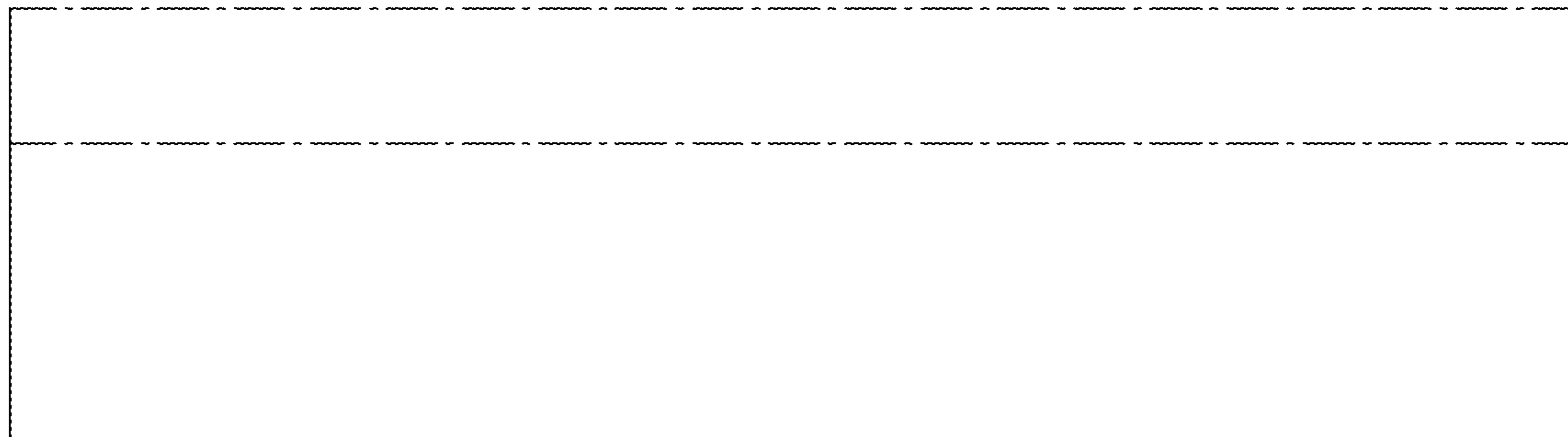


FIG. 6

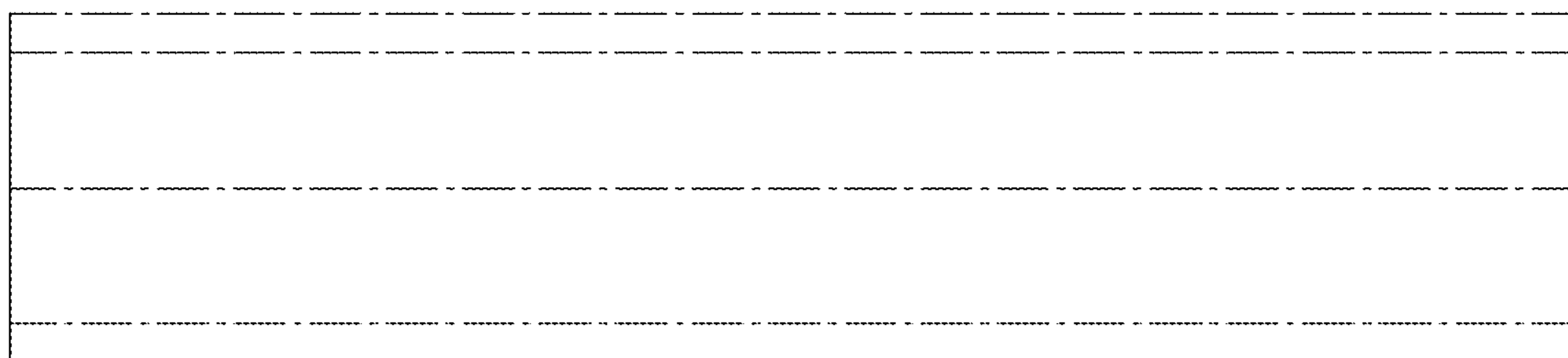


FIG. 7