



US00D680583S

(12) **United States Design Patent**  
**Harada**

(10) **Patent No.:** **US D680,583 S**

(45) **Date of Patent:** **\*\* Apr. 23, 2013**

(54) **WASTE INK BOX FOR PRINTER**

(75) Inventor: **Shuhei Harada**, Chino (JP)

(73) Assignee: **Seiko Epson Corporation** (JP)

(\*\*) Term: **14 Years**

(21) Appl. No.: **29/406,910**

(22) Filed: **Nov. 21, 2011**

(30) **Foreign Application Priority Data**

Jun. 29, 2011 (JP) ..... 2011-014710

(51) **LOC (9) Cl.** ..... **18-02**

(52) **U.S. Cl.**  
USPC ..... **D18/56**

(58) **Field of Classification Search** ..... D18/12,  
D18/40, 43, 56; 347/86-67, 34, 36  
See application file for complete search history.

(56) **References Cited**

**U.S. PATENT DOCUMENTS**

5,627,574 A \* 5/1997 Fahy ..... 347/33  
6,799,829 B2 \* 10/2004 Mah et al. .... 347/32  
D581,457 S \* 11/2008 Yoshino ..... D18/56  
D612,415 S \* 3/2010 Harada ..... D18/56

D612,417 S \* 3/2010 Harada ..... D18/56  
D614,696 S \* 4/2010 Harada ..... D18/56  
2005/0001888 A1 \* 1/2005 Seino et al. .... 347/86

\* cited by examiner

*Primary Examiner* — Cathy A MacCormac

(74) *Attorney, Agent, or Firm* — Harness, Dickey & Pierce,  
P.L.C.

(57) **CLAIM**

The ornamental design for a waste ink box for printer, as shown and described.

**DESCRIPTION**

FIG. 1 is a perspective view of a waste ink box for printer, as viewed from the top, front and right side, embodying my new design;

FIG. 2 is a perspective view thereof, as viewed from the bottom, rear and left side;

FIG. 3 is a front view thereof;

FIG. 4 is a rear view thereof;

FIG. 5 is a left side view thereof;

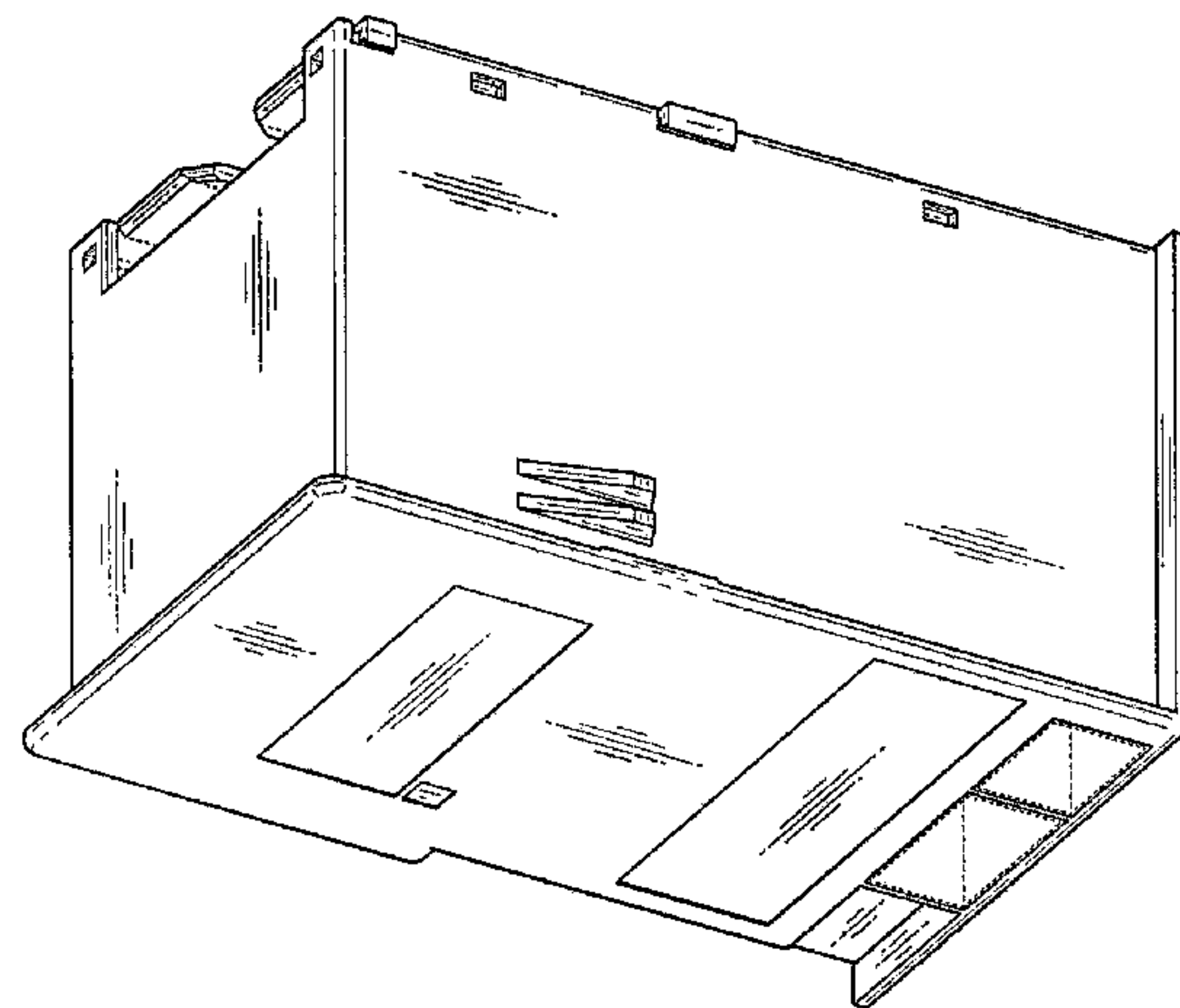
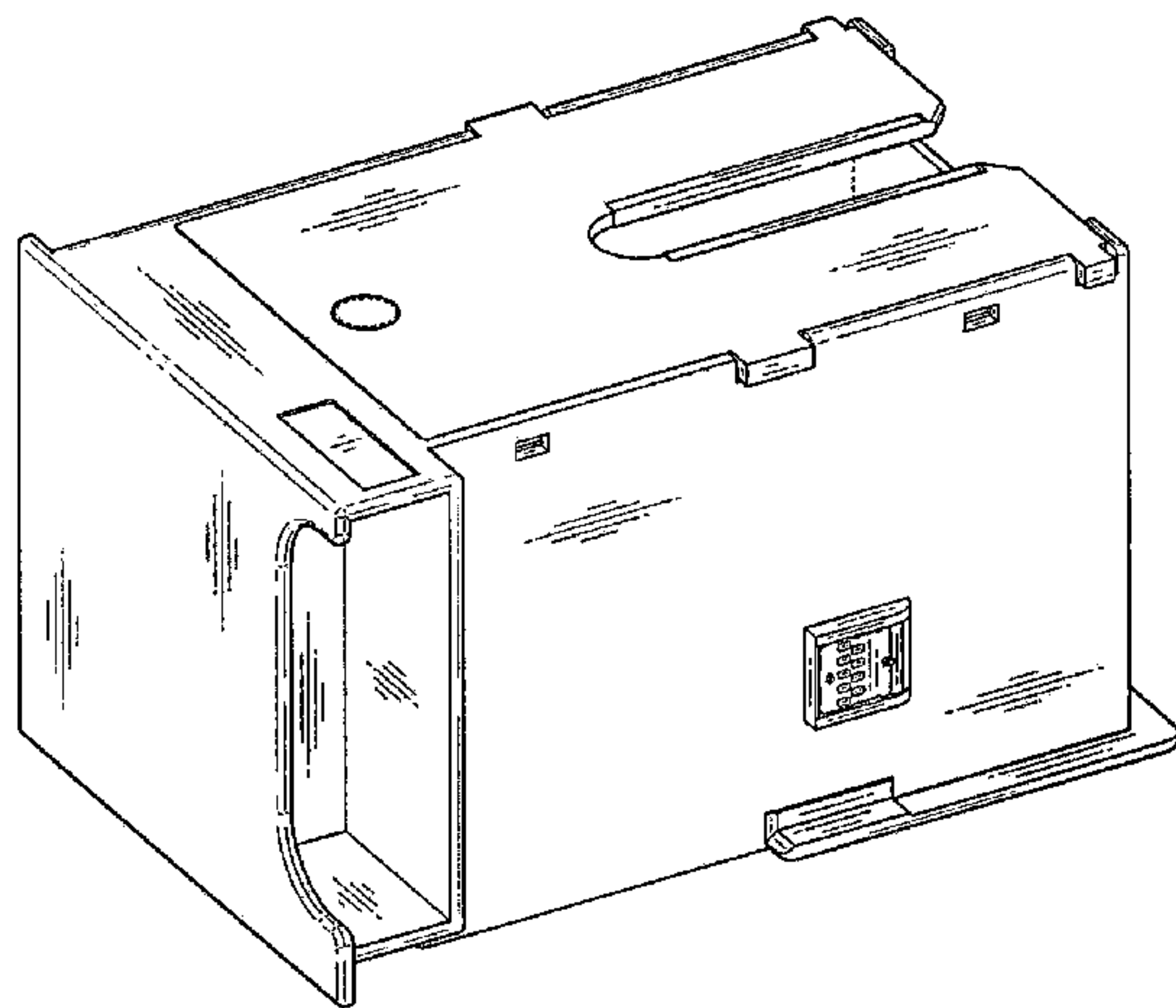
FIG. 6 is a right side view thereof;

FIG. 7 is a top view thereof; and,

FIG. 8 is a bottom view thereof.

The broken lines are for illustrative purposes only and form no part of the claimed invention.

**1 Claim, 4 Drawing Sheets**



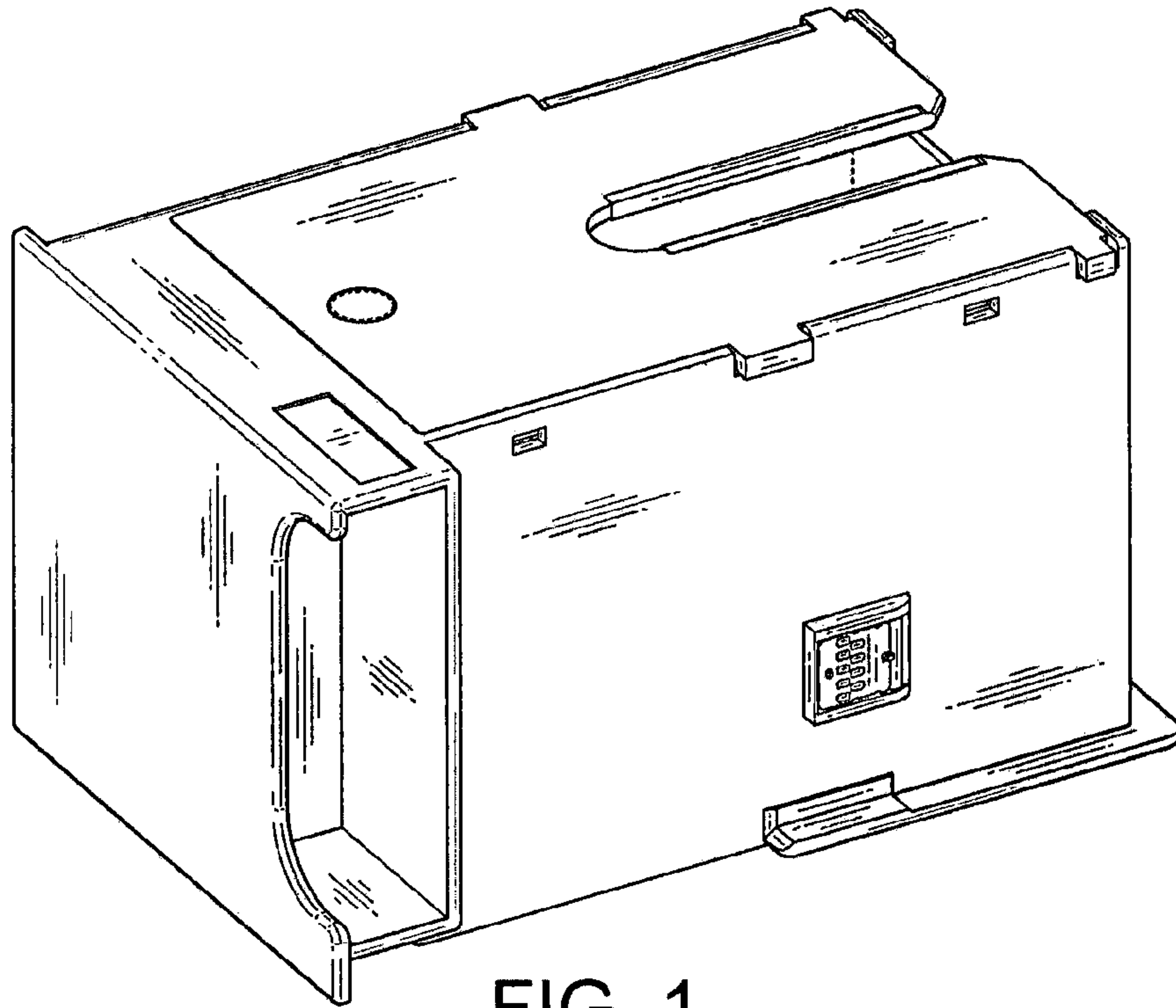


FIG. 1

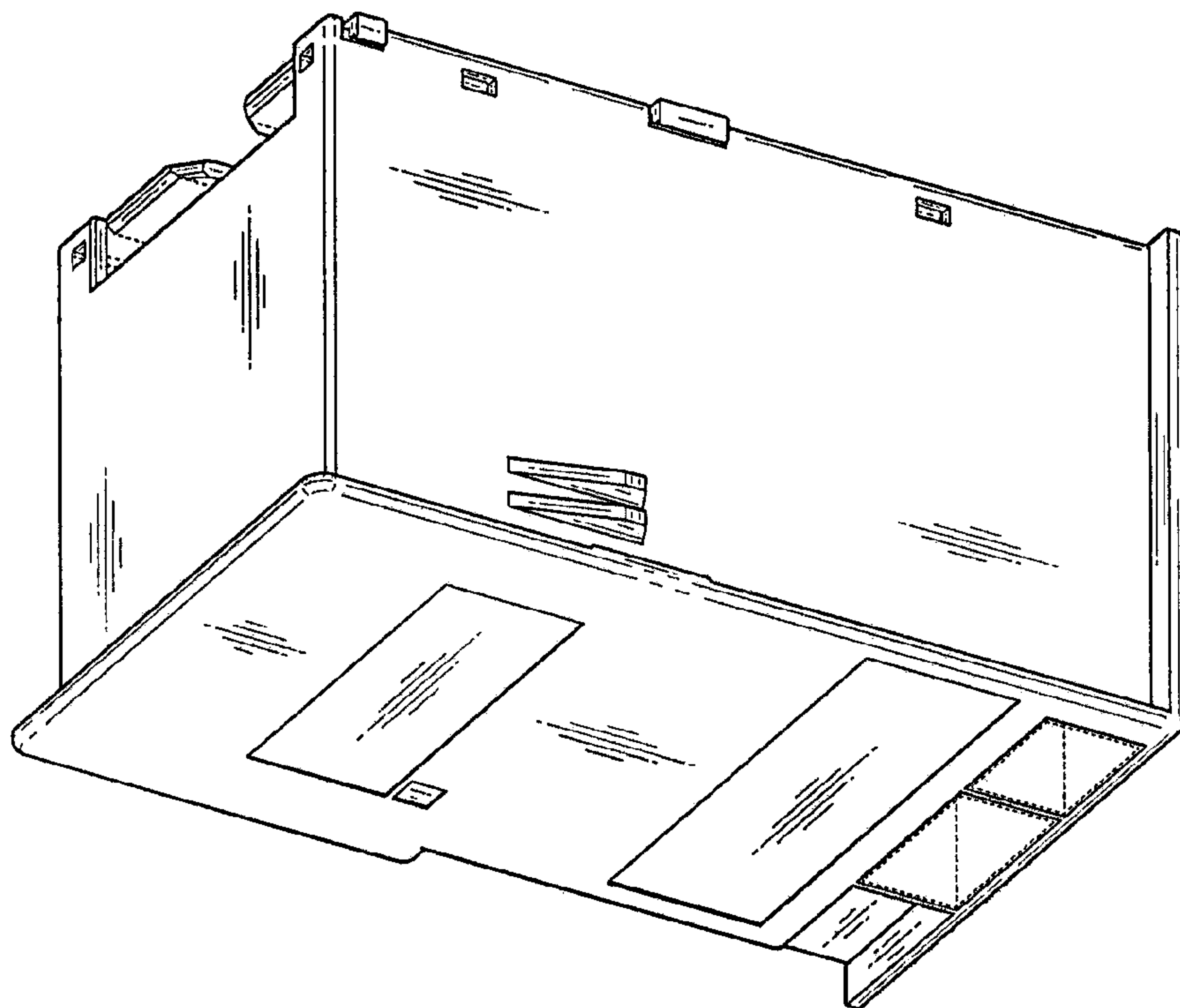


FIG. 2

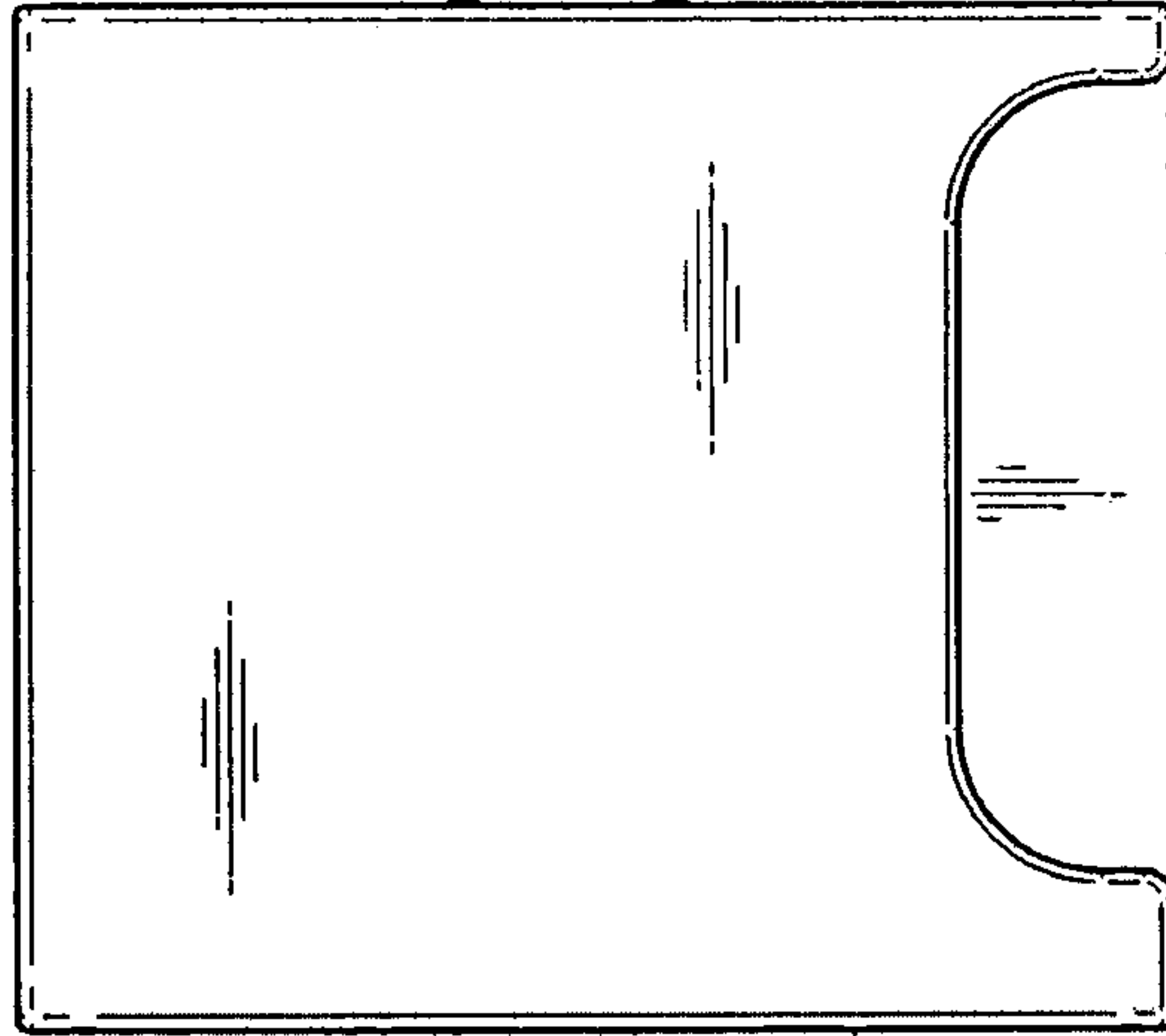


FIG. 3

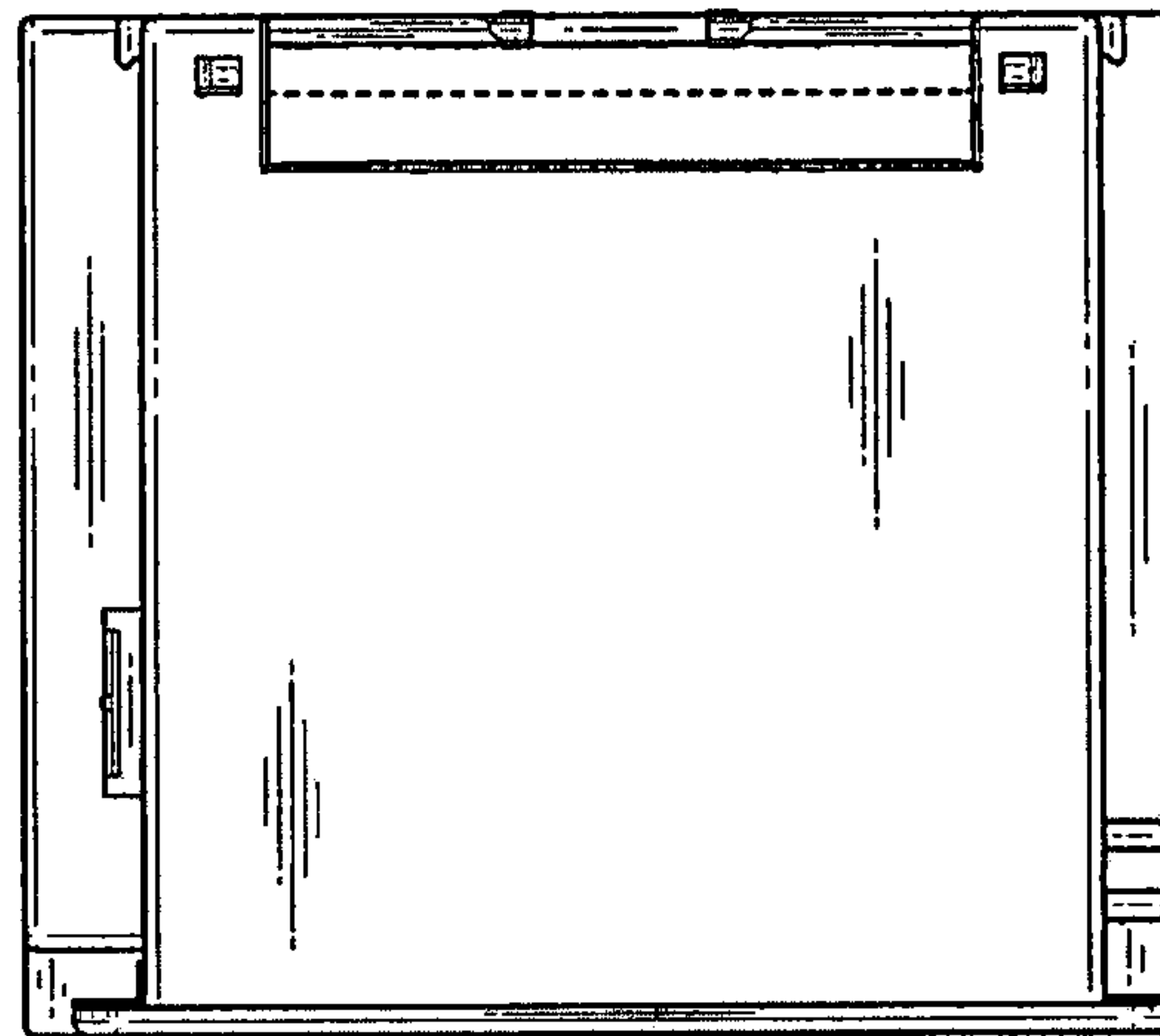


FIG. 4

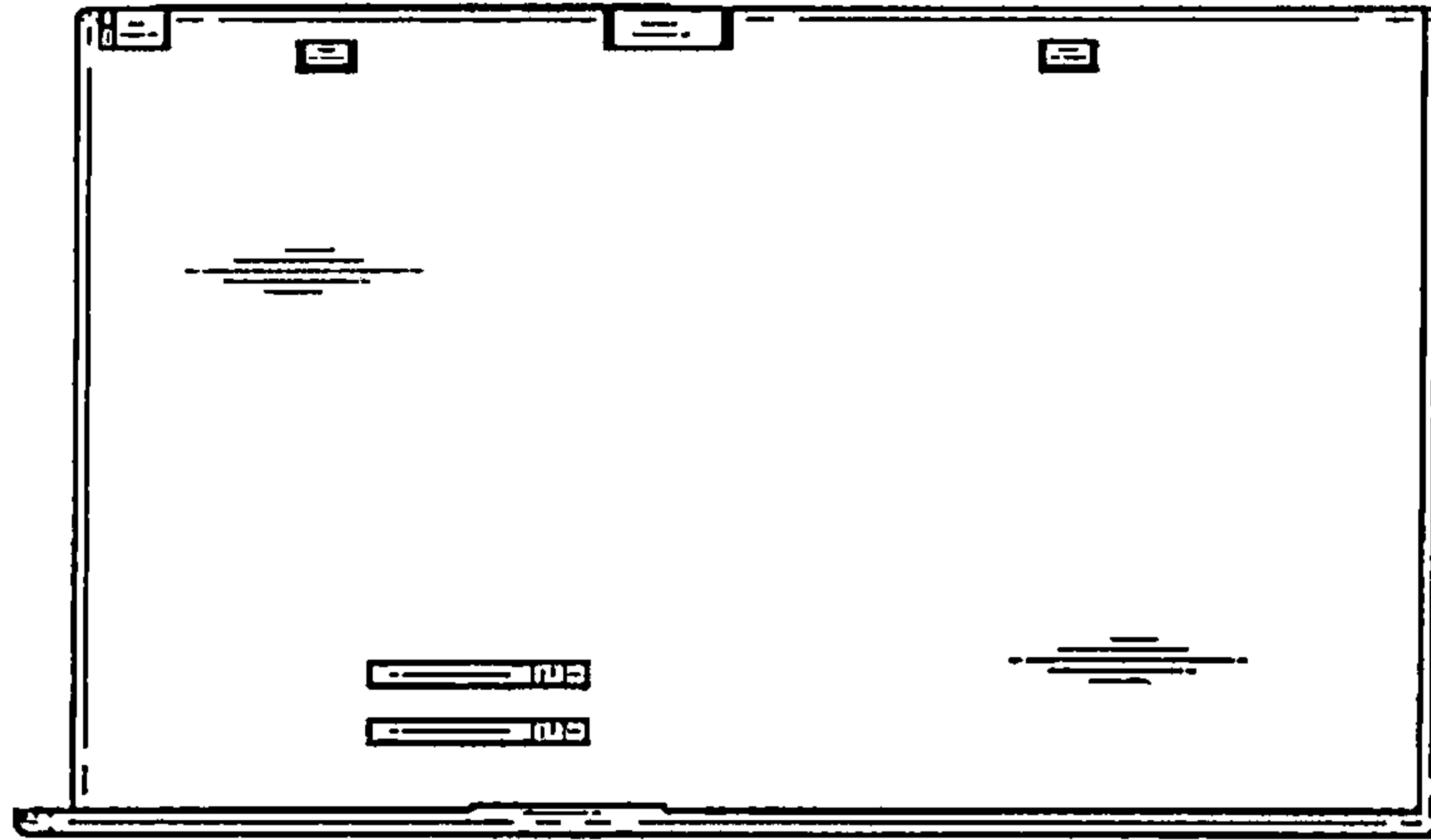


FIG. 5

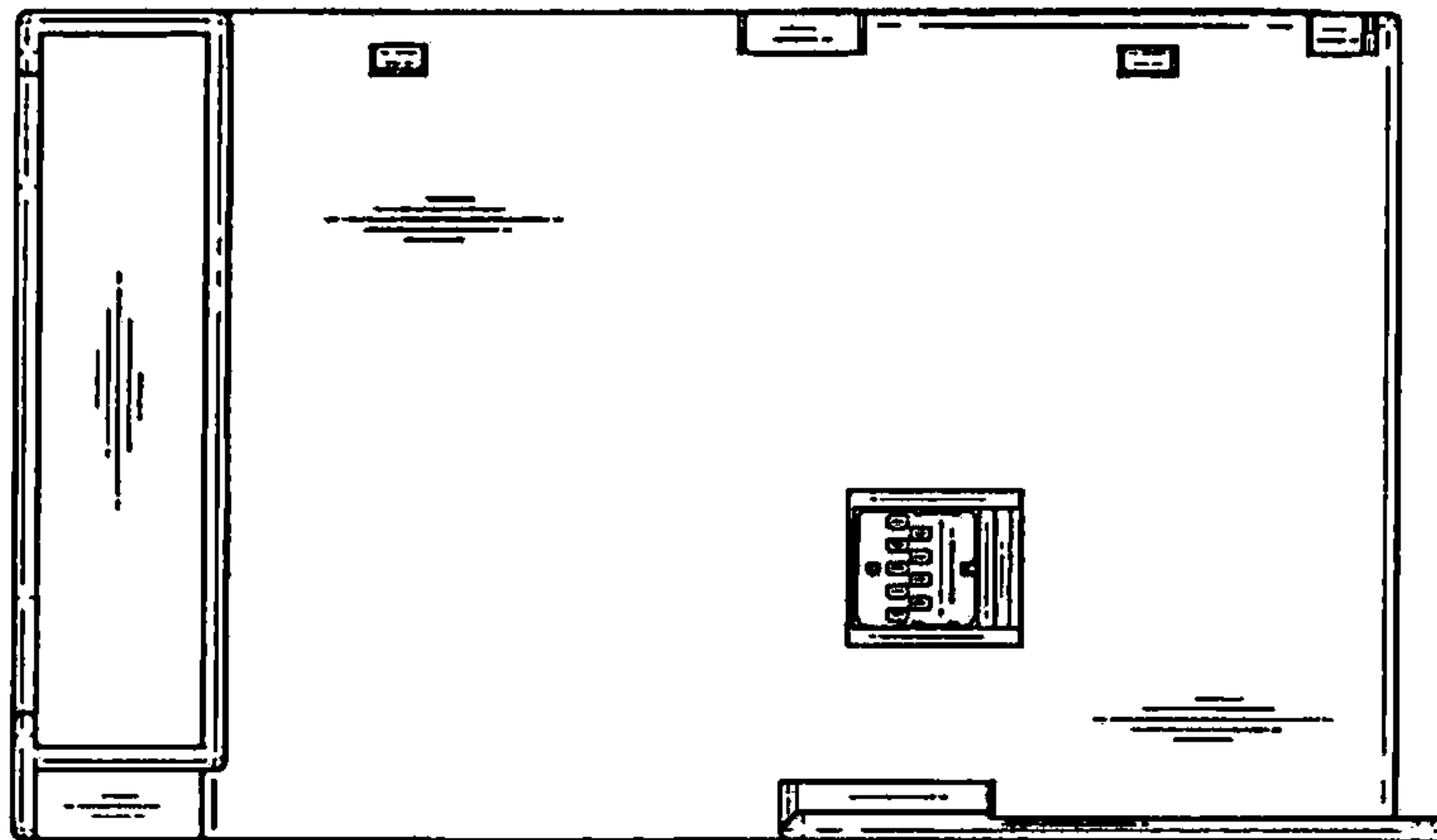


FIG. 6

FIG. 7

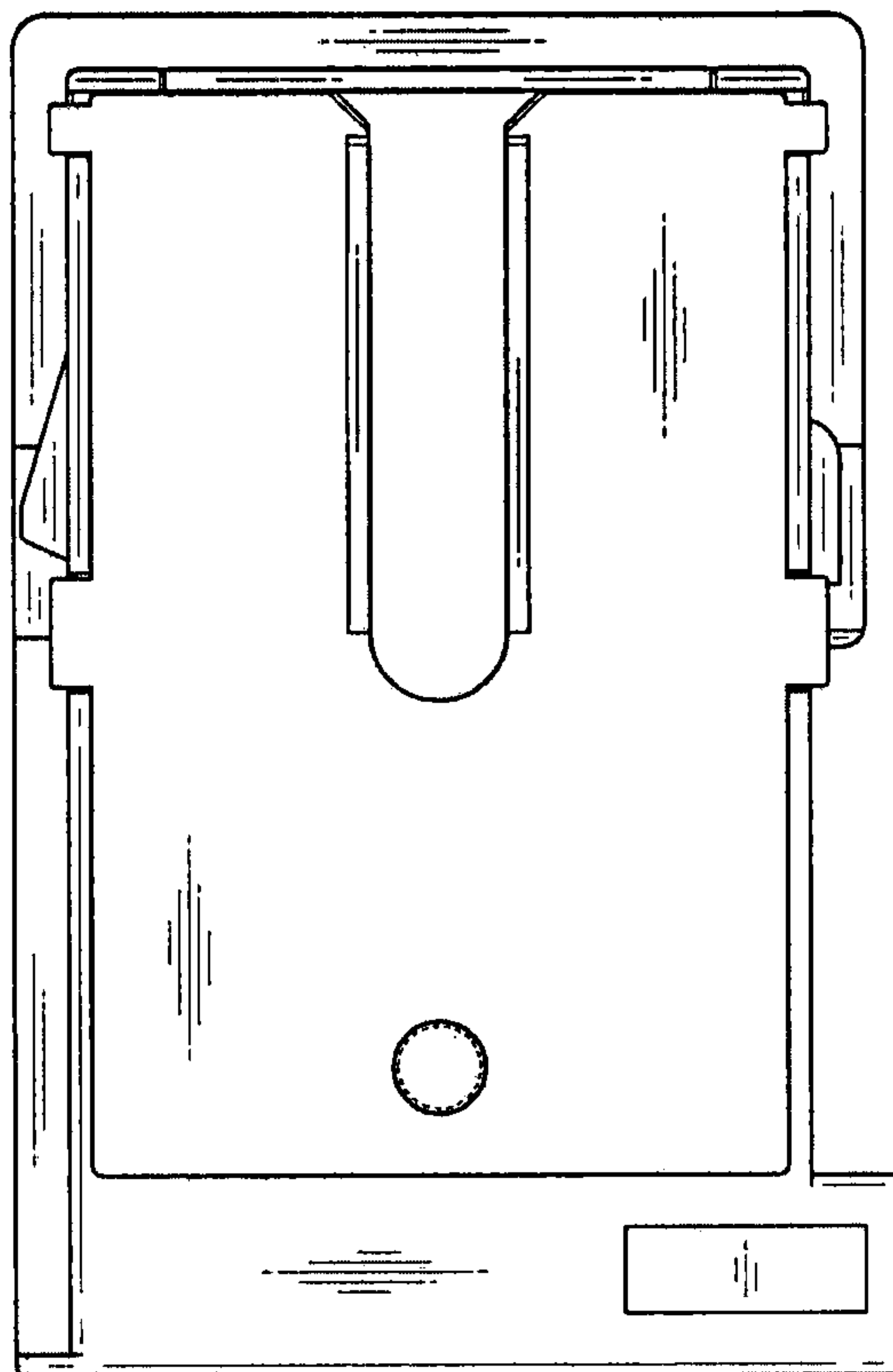


FIG. 8

