



US00D680582S

(12) **United States Design Patent**  
**Harvey et al.**

(10) **Patent No.:** **US D680,582 S**  
(45) **Date of Patent:** **\*\* Apr. 23, 2013**

(54) **INK CARTRIDGE**

(75) Inventors: **David C Harvey**, Portland, OR (US);  
**David Olsen**, Corvallis, OR (US); **Ralph L. Stathem**, Lebanon, OR (US)

(73) Assignee: **Hewlett-Packard Development Company, L.P.**, Houston, TX (US)

(\*\*) Term: **14 Years**

(21) Appl. No.: **29/402,503**

(22) Filed: **Sep. 23, 2011**

(51) **LOC (9) Cl.** ..... **18-02**

(52) **U.S. Cl.**  
USPC ..... **D18/56**

(58) **Field of Classification Search** ..... D18/12,  
D18/40, 43, 56; 347/86-67  
See application file for complete search history.

(56) **References Cited**

**U.S. PATENT DOCUMENTS**

6,155,678	A	12/2000	Komplin et al.	
6,435,662	B2	8/2002	Kline et al.	
D464,672	S *	10/2002	Shinano et al.	D18/56
D489,757	S *	5/2004	Matsumoto	D18/56
6,955,422	B2	10/2005	Miyazawa et al.	
7,018,027	B2	3/2006	Harada et al.	
7,125,108	B2	10/2006	Toba et al.	
D549,280	S *	8/2007	Morino	D18/56
D585,090	S *	1/2009	Ishizawa	D18/56
7,506,973	B2	3/2009	Steinmetz et al.	
7,552,997	B2	6/2009	Suzuki et al.	
D598,050	S *	8/2009	Nozawa	D18/56
D656,183	S *	3/2012	Nanjo et al.	D18/56
D656,186	S *	3/2012	Oya et al.	D18/56
2005/0001888	A1 *	1/2005	Seino et al.	347/86

2008/0165232 A1 7/2008 Yuen  
2008/0180495 A1 7/2008 Gonzales  
2009/0141103 A1 6/2009 Takagi

**FOREIGN PATENT DOCUMENTS**

EP 1122078 8/2001

**OTHER PUBLICATIONS**

One (1) photograph of a brother LC110 Ink supply cartridge and shipping container, one (1) photograph comprising three EPSON ink cartridges, models TO692, TO693, TO694, one (1) photograph of 170ml Canon LF aqueous supplies and shipping container, one (1) photograph of HP large format DesignJet cartridges and shipping container, all on two (2) pages. To the best of Applicant's knowledge, all of the products shown in the photographs were on sale in the United States more than one year prior to the filing date of the present application.

\* cited by examiner

*Primary Examiner* — Cathy A MacCormac

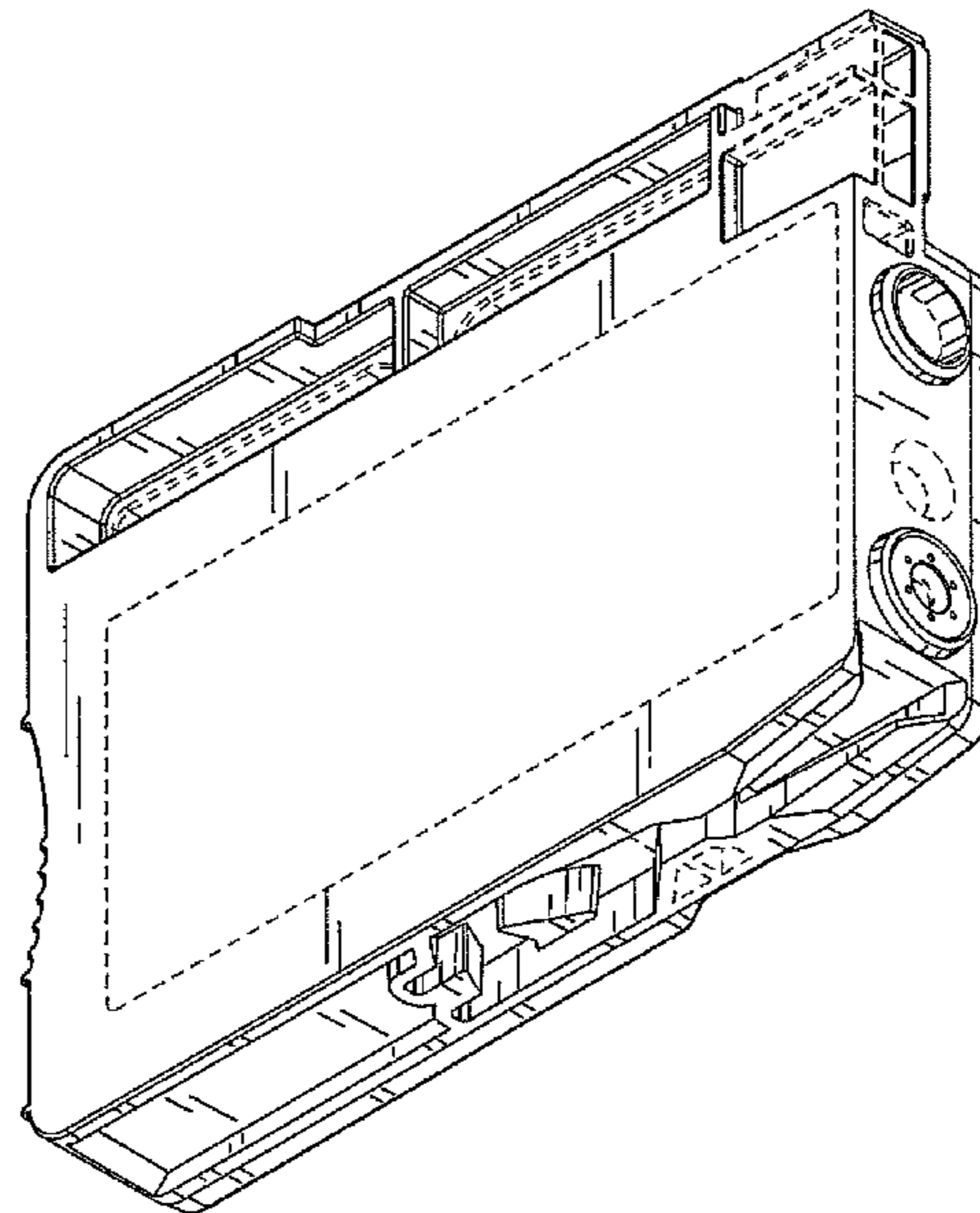
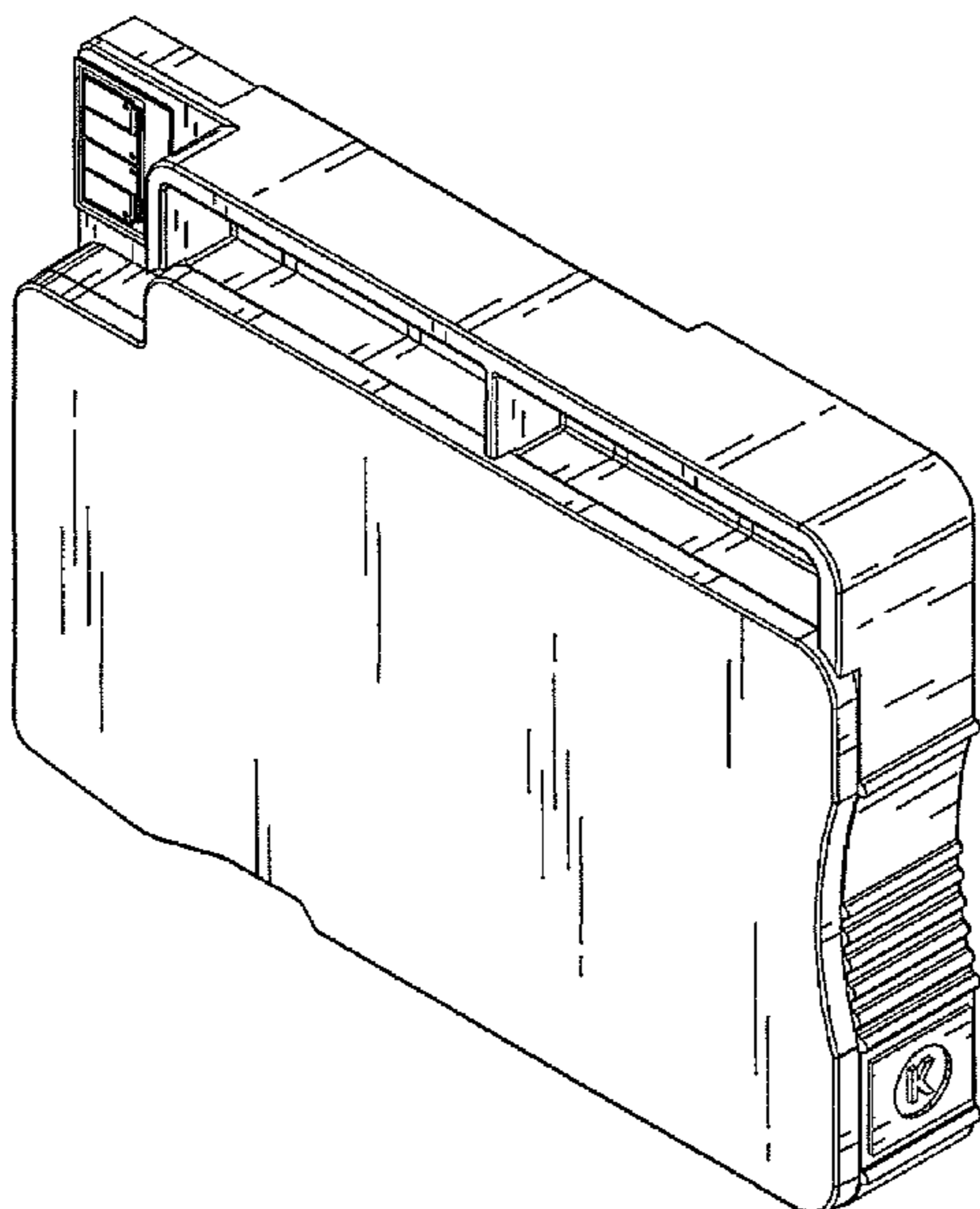
(57) **CLAIM**

The ornamental design for an ink cartridge, as shown and described herein.

**DESCRIPTION**

FIG. 1 is a front, top, and left side perspective view of an ink cartridge in accordance with a first embodiment of the present disclosure;  
FIG. 2 is a rear, bottom, and right side perspective view thereof;  
FIG. 3 is a left side elevation view thereof;  
FIG. 4 is a right side elevation view thereof;  
FIG. 5 is a top plan view thereof;  
FIG. 6 is a bottom plan view thereof;  
FIG. 7 is a front elevation view thereof; and,  
FIG. 8 is a rear elevation view thereof.  
Those portions of the Figures shown in broken lines are for illustration only and form no part of the claimed design.

**1 Claim, 4 Drawing Sheets**



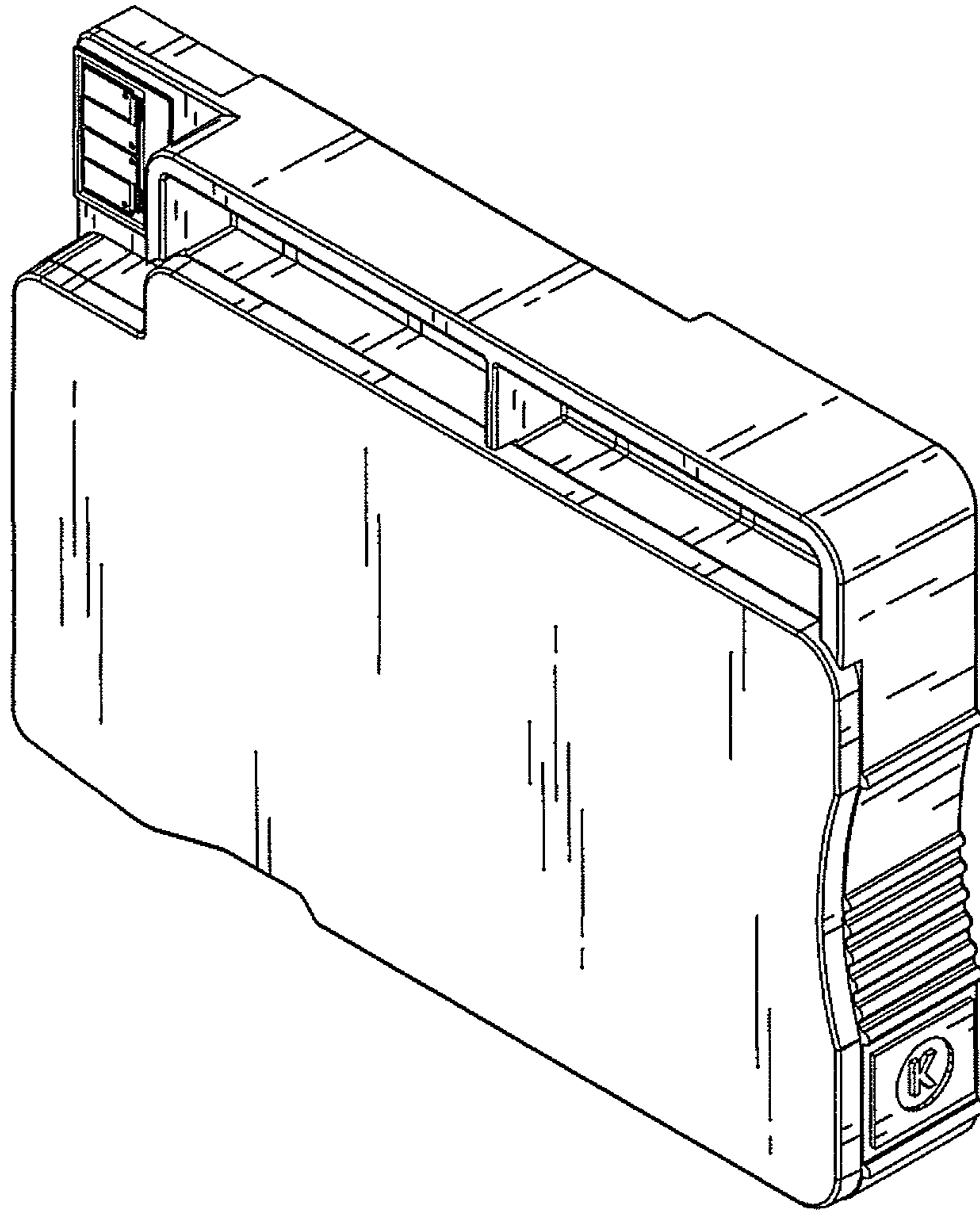


FIG. 1

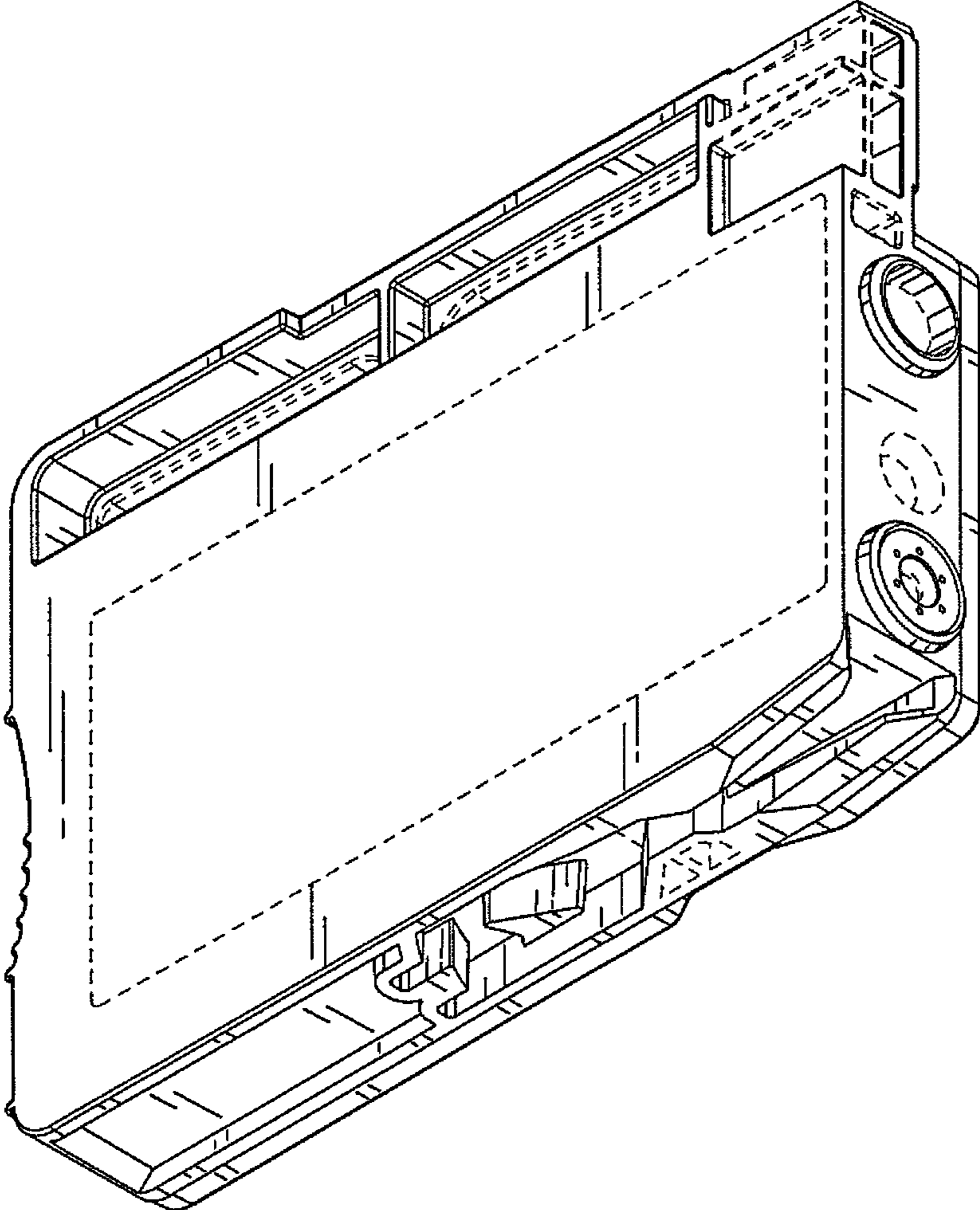


FIG. 2

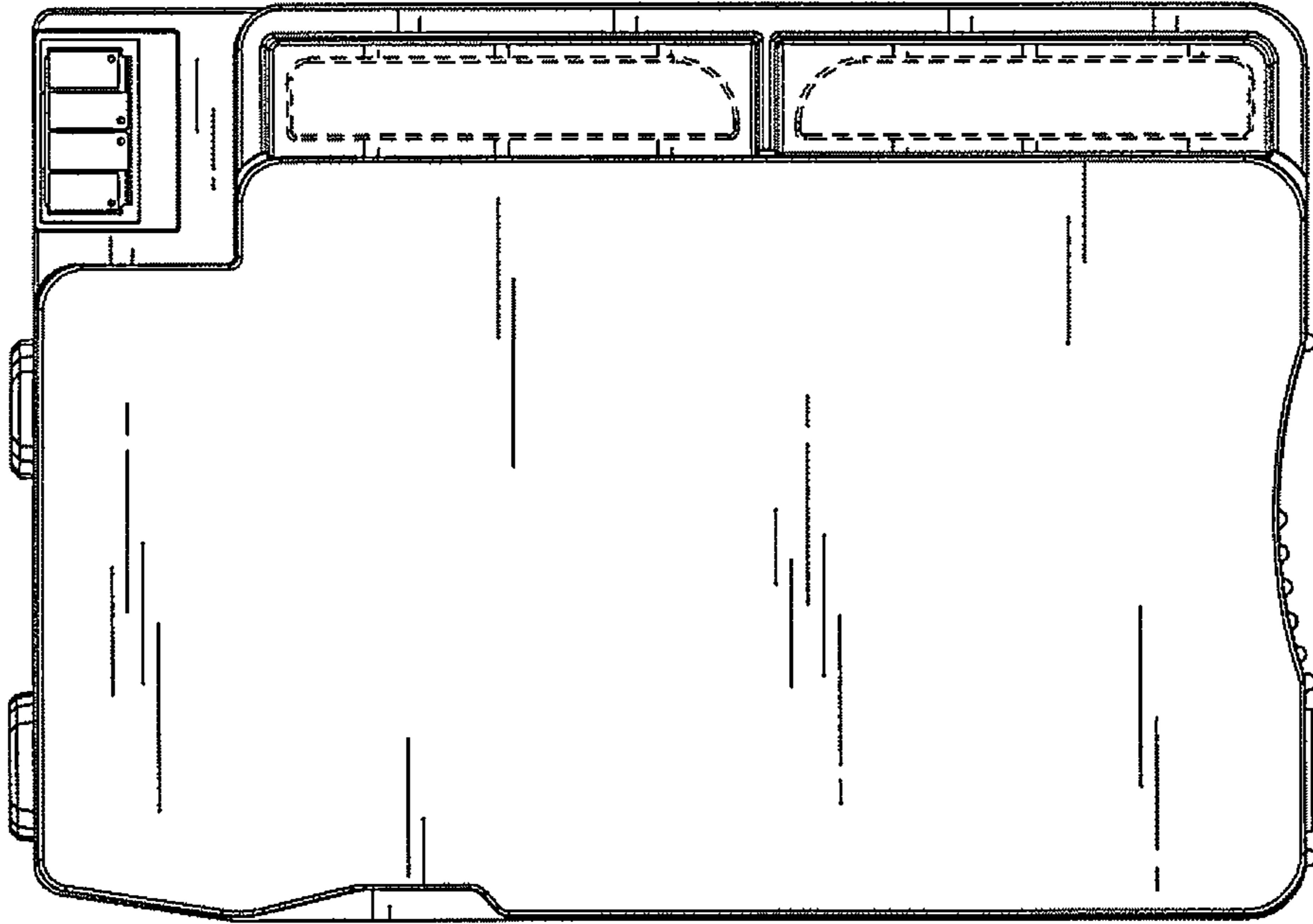


FIG. 3

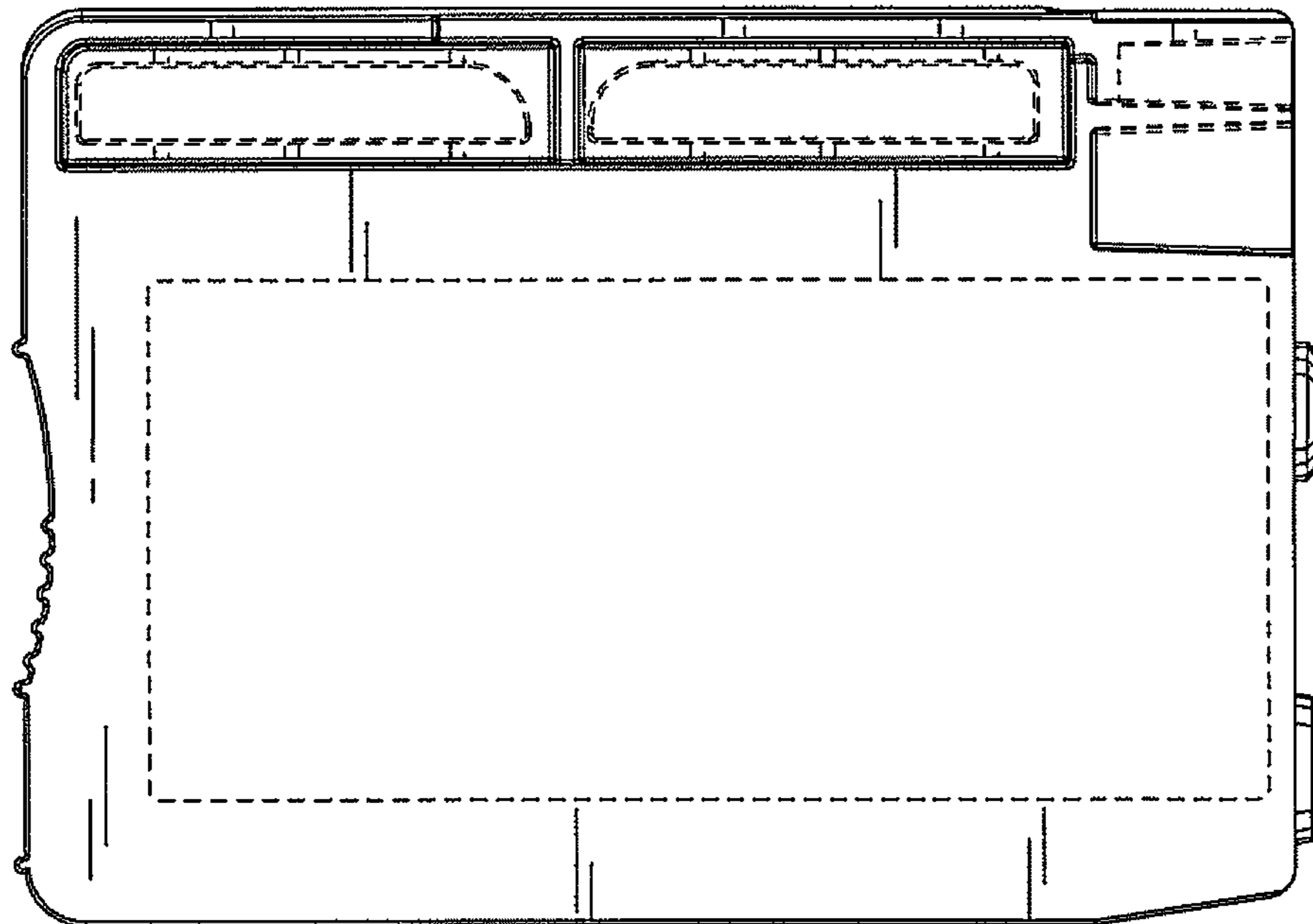


FIG. 4



FIG. 5

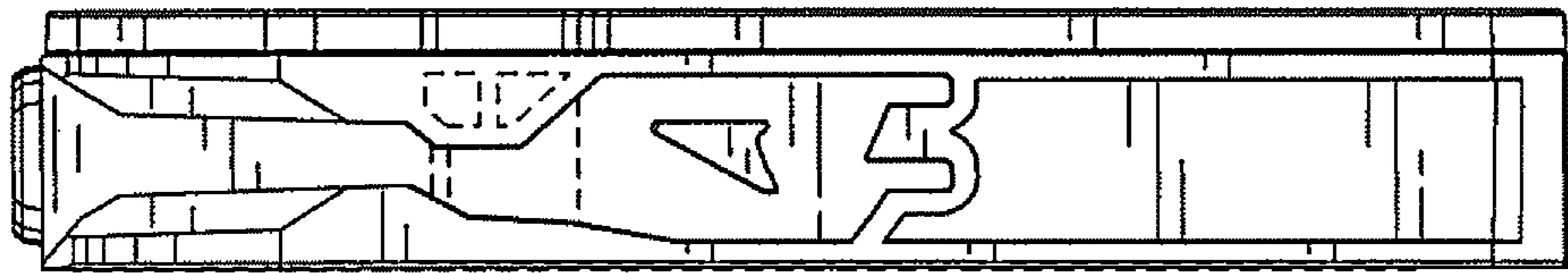


FIG. 6

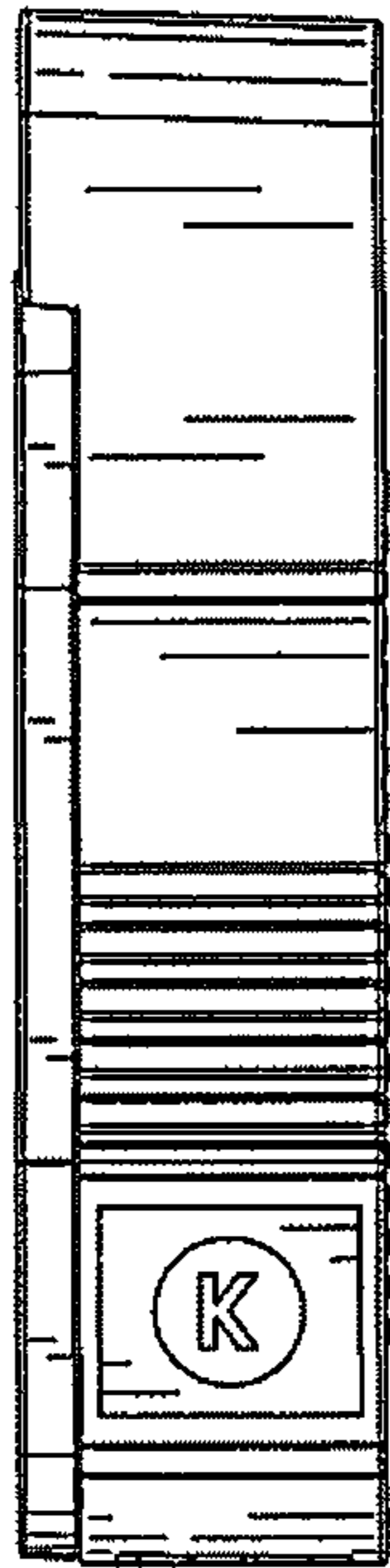


FIG. 7

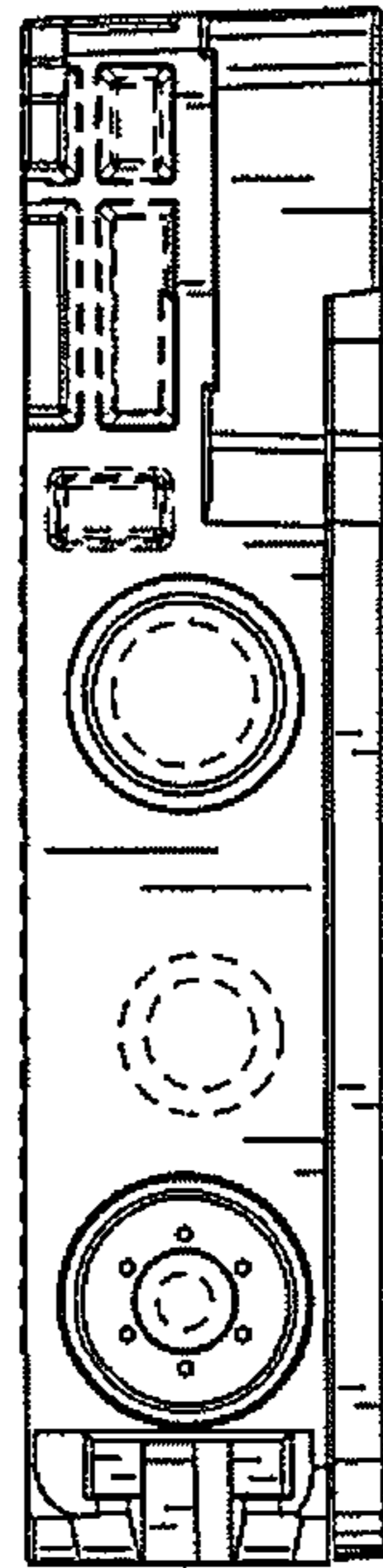


FIG. 8