



US00D680578S

(12) **United States Design Patent**
Tanaka et al.

(10) **Patent No.:** **US D680,578 S**

(45) **Date of Patent:** **** Apr. 23, 2013**

(54) **TAPE PRINTING MACHINE**

(75) Inventors: **Hiromitsu Tanaka**, Nagoya (JP);
Toshiya Inada, Nagoya (JP)

(73) Assignee: **Brother Industries, Ltd.**, Nagoya (JP)

(**) Term: **14 Years**

(21) Appl. No.: **29/418,883**

(22) Filed: **Apr. 23, 2012**

(30) **Foreign Application Priority Data**

Oct. 27, 2011 (JP) 2011-024751

(51) **LOC (9) Cl.** **18-99**

(52) **U.S. Cl.**
USPC **D18/19**

(58) **Field of Classification Search** D18/14-21,
D18/6-7, 50, 54, 56; D19/68; D14/347,
D14/426; 358/1.1, 1.6, 1.8; 101/111, 288;
156/DIG. 48, 0.49

See application file for complete search history.

(56) **References Cited**

U.S. PATENT DOCUMENTS

D414,172 S * 9/1999 Hetfield et al. D14/426
D429,226 S * 8/2000 Siddoway et al. D14/347
D439,898 S * 4/2001 Ober et al. D14/347
D462,357 S * 9/2002 Jenkins D14/426

D496,683 S * 9/2004 Matsumoto et al. D18/19
D566,753 S * 4/2008 Suzuki et al. D18/19
D575,287 S * 8/2008 Miyashita D14/426
D601,620 S * 10/2009 Mase et al. D18/19
D614,626 S * 4/2010 Dai et al. D14/426
D629,001 S * 12/2010 Palmer et al. D14/426
D631,908 S * 2/2011 Thaler et al. D18/19
D631,909 S * 2/2011 Blanc et al. D18/19
2010/0119281 A1 * 5/2010 Ford et al. 400/586

* cited by examiner

Primary Examiner — Bridget L Eland

(74) *Attorney, Agent, or Firm* — Oliff & Berridge, PLC

(57) **CLAIM**

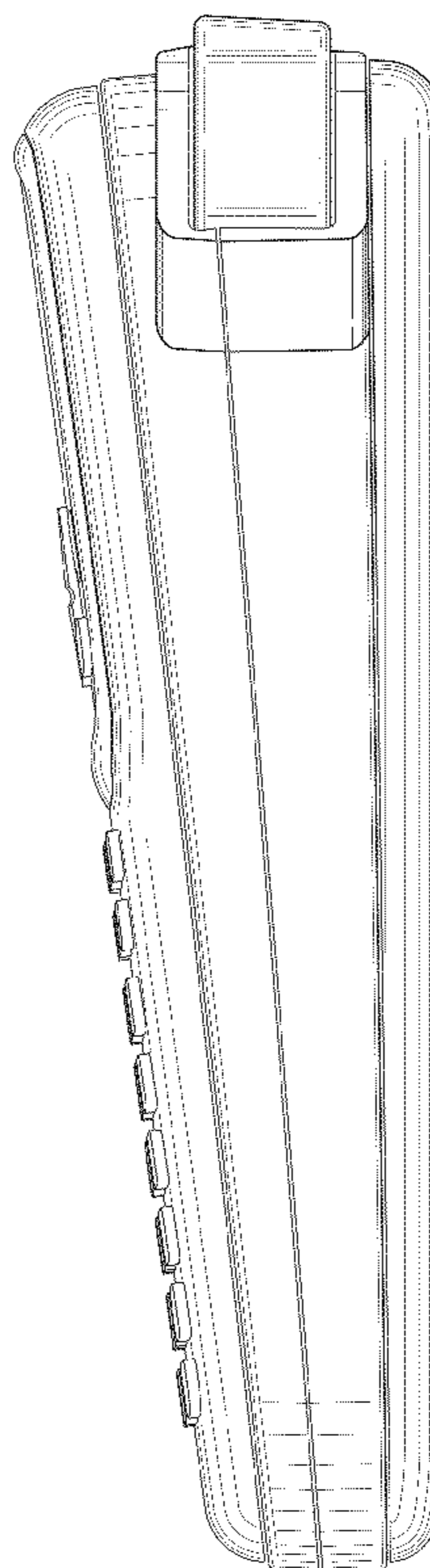
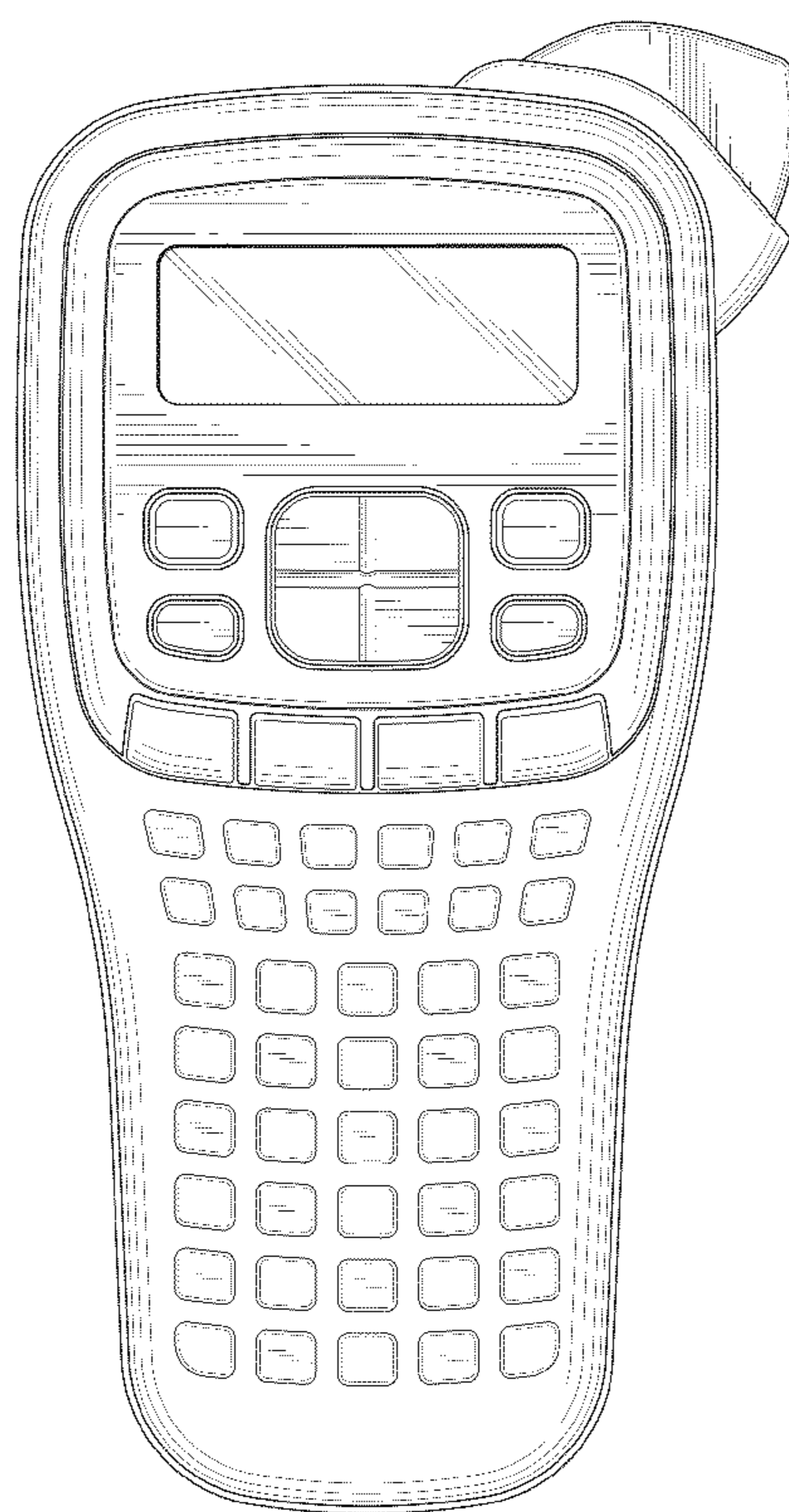
The ornamental design for a tape printing machine, as shown and described.

DESCRIPTION

FIG. 1 is a perspective view of a tape printing machine;
FIG. 2 is a front view thereof;
FIG. 3 is a top view thereof;
FIG. 4 is a right-side view thereof;
FIG. 5 is a left-side view thereof;
FIG. 6 is a rear view thereof; and,
FIG. 7 is a bottom view thereof.

The broken lines depict unclaimed portions only and form no part of the claimed design.

1 Claim, 7 Drawing Sheets



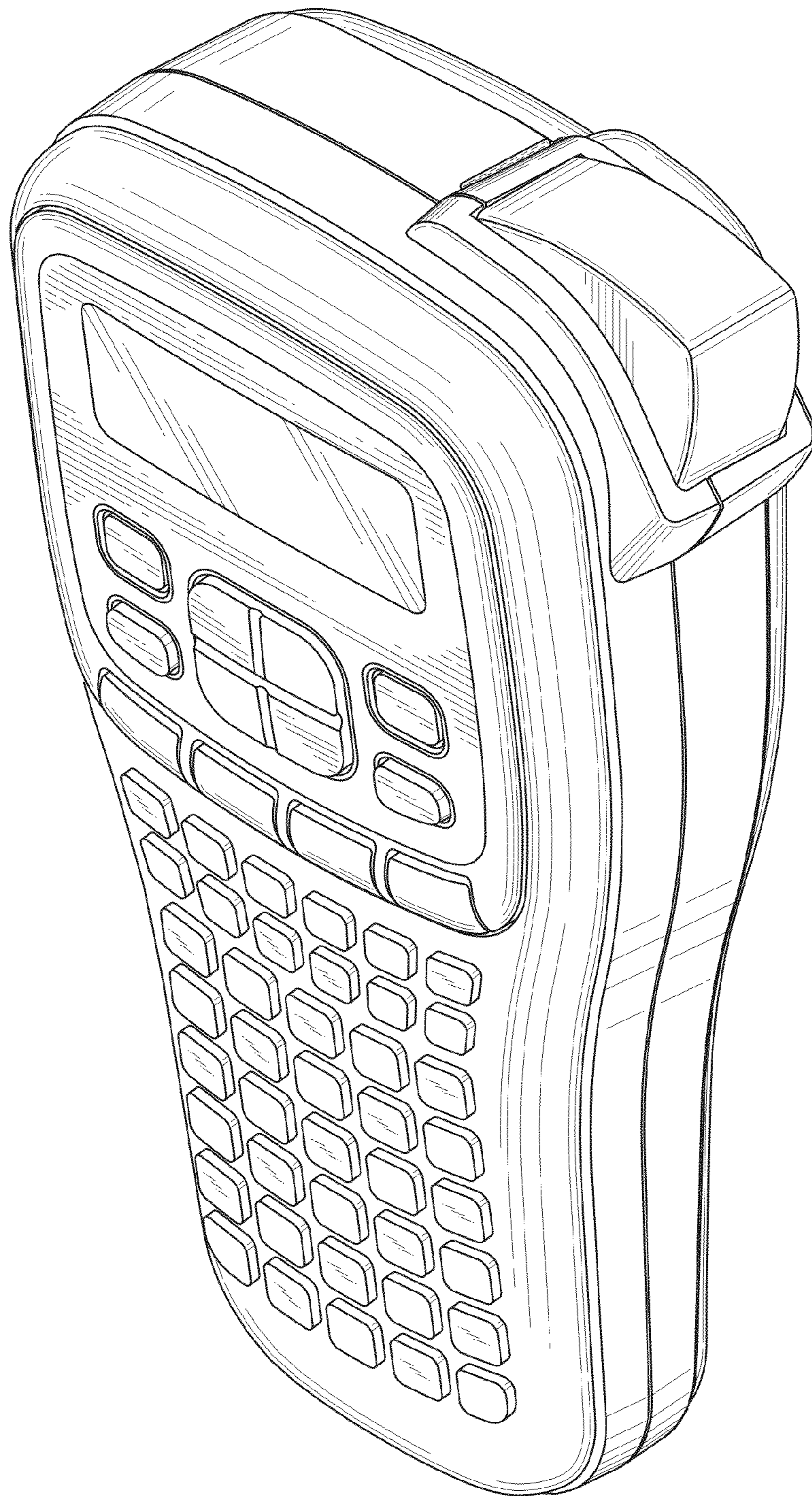


FIG. 1



FIG. 2

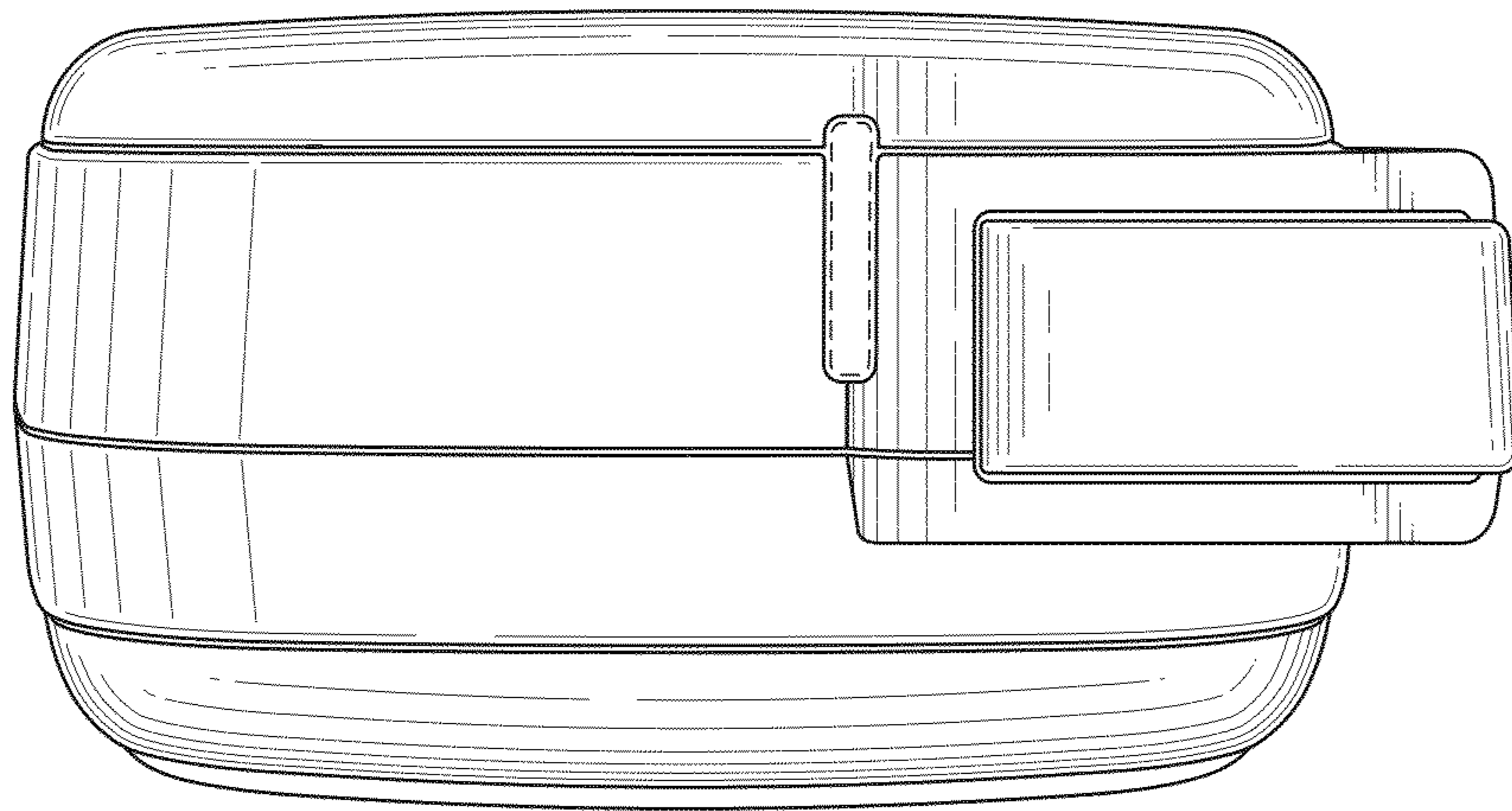


FIG. 3

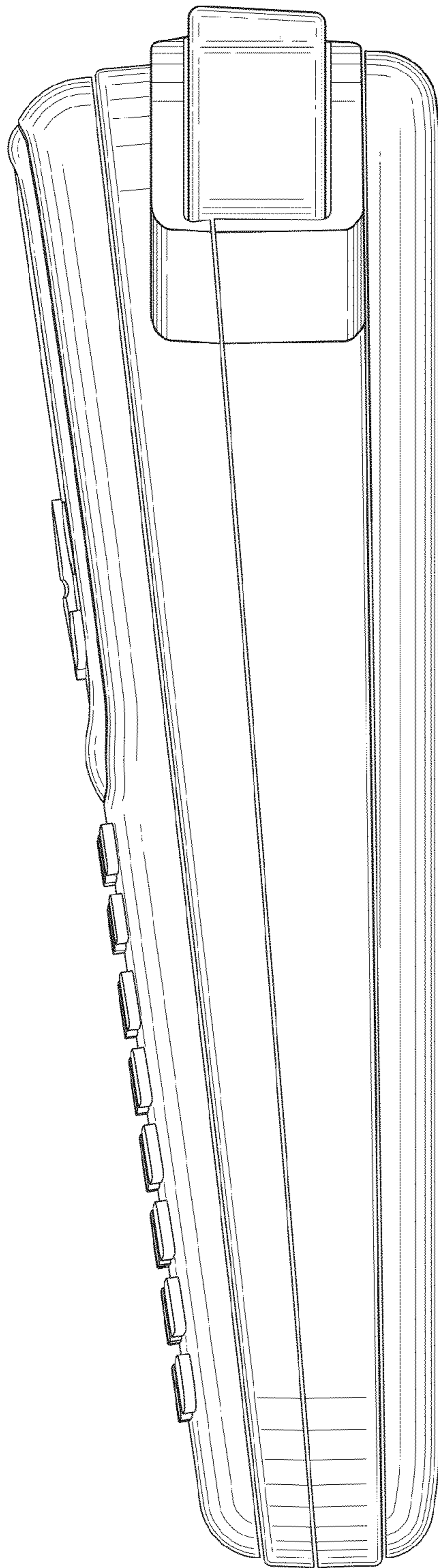


FIG. 4

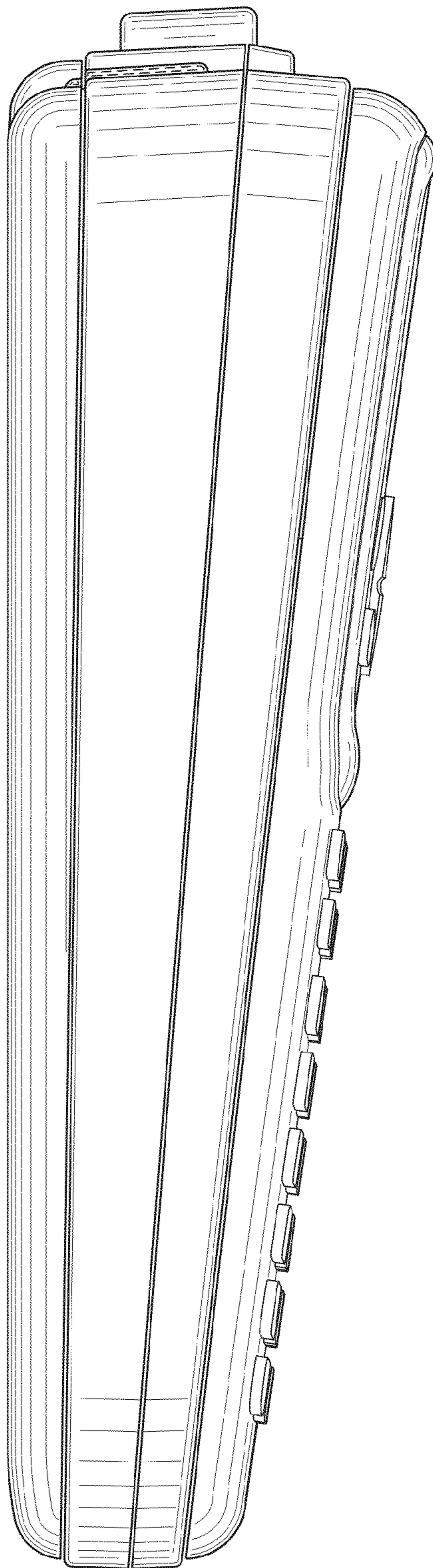


FIG. 5



FIG. 6

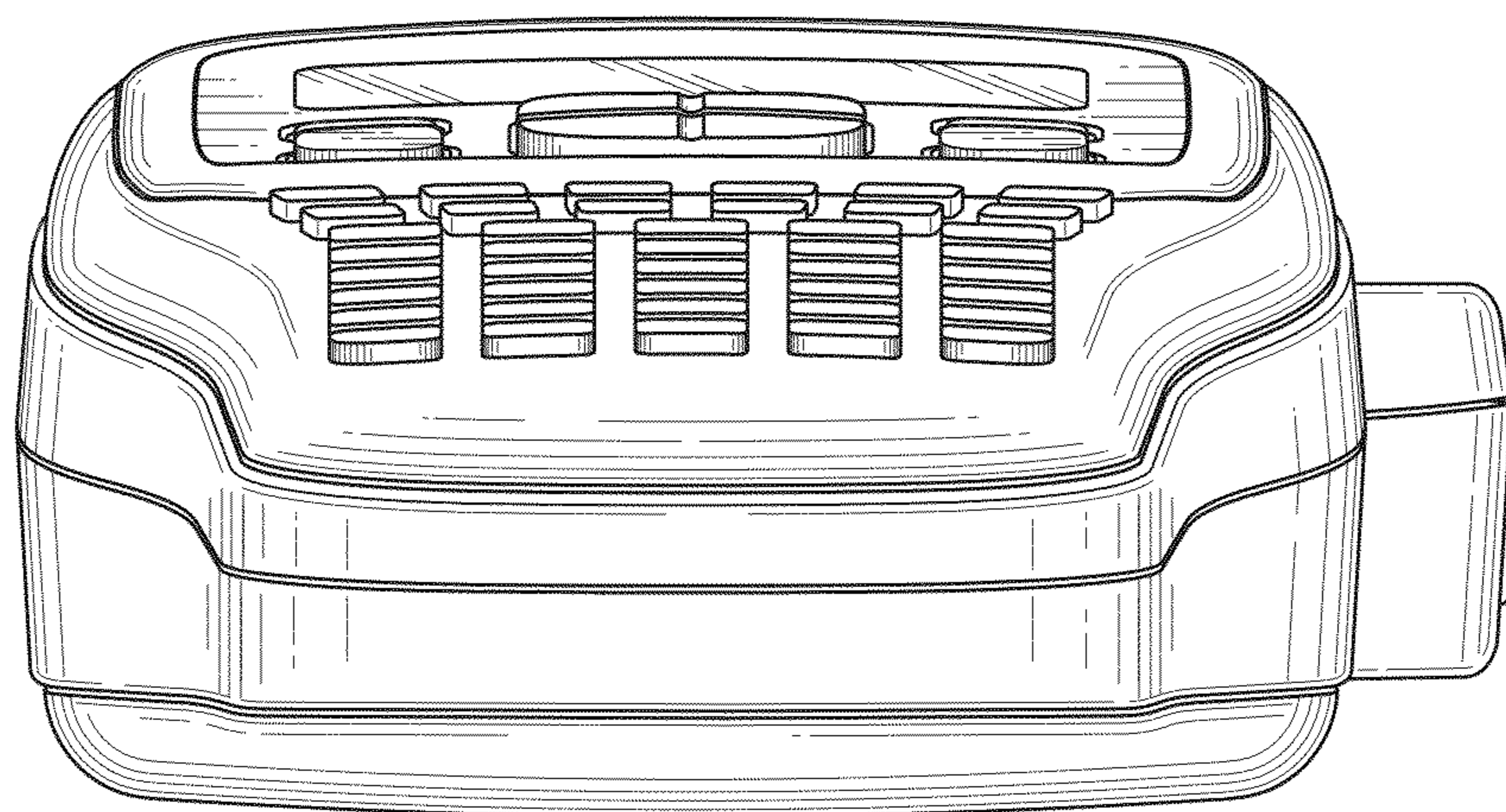


FIG. 7