



US00D680576S

(12) **United States Design Patent**
Chen

(10) **Patent No.:** **US D680,576 S**

(45) **Date of Patent:** **** Apr. 23, 2013**

(54) **GOGGLES**

(71) Applicant: **Chun-Nan Chen**, Tainan (TW)

(72) Inventor: **Chun-Nan Chen**, Tainan (TW)

(73) Assignee: **Bor Jye Enterprise Co., Ltd.**, Tainan (TW)

(**) Term: **14 Years**

(21) Appl. No.: **29/433,716**

(22) Filed: **Oct. 4, 2012**

(51) **LOC (9) Cl.** **16-06**

(52) **U.S. Cl.**
USPC **D16/312**

(58) **Field of Classification Search** D16/101,
D16/300-342, 900; D29/109-110; D24/110.2;
351/41, 44, 51-52, 62, 158, 92, 103-123,
351/140, 153, 45-46; 2/426-432, 447-449,
2/441, 434-437, 13, 15; D21/483, 659-661
See application file for complete search history.

(56) **References Cited**

U.S. PATENT DOCUMENTS

D488,182 S * 4/2004 Sheldon et al. D16/312
D510,378 S * 10/2005 Dondero et al. D16/312

D527,757 S * 9/2006 Chen D16/312
D551,280 S * 9/2007 Li D16/312
D559,299 S * 1/2008 Tabacchi D16/312
D595,332 S * 6/2009 Yang D16/312
D610,602 S * 2/2010 Yun D16/312
D616,915 S * 6/2010 Silveria et al. D16/312
D629,035 S * 12/2010 Moritz et al. D16/312
D649,577 S * 11/2011 Goodman et al. D16/312
D653,695 S * 2/2012 Tobia D16/312

* cited by examiner

Primary Examiner — Raphael Barkai

(74) *Attorney, Agent, or Firm* — Alan Kamrath; Kamrath IP Lawfirm, P.A.

(57) **CLAIM**

The ornamental design for goggles, as shown and described.

DESCRIPTION

FIG. 1 is a perspective view of goggles showing my new design;

FIG. 2 is a front side elevational view thereof;

FIG. 3 is a rear side elevational view thereof;

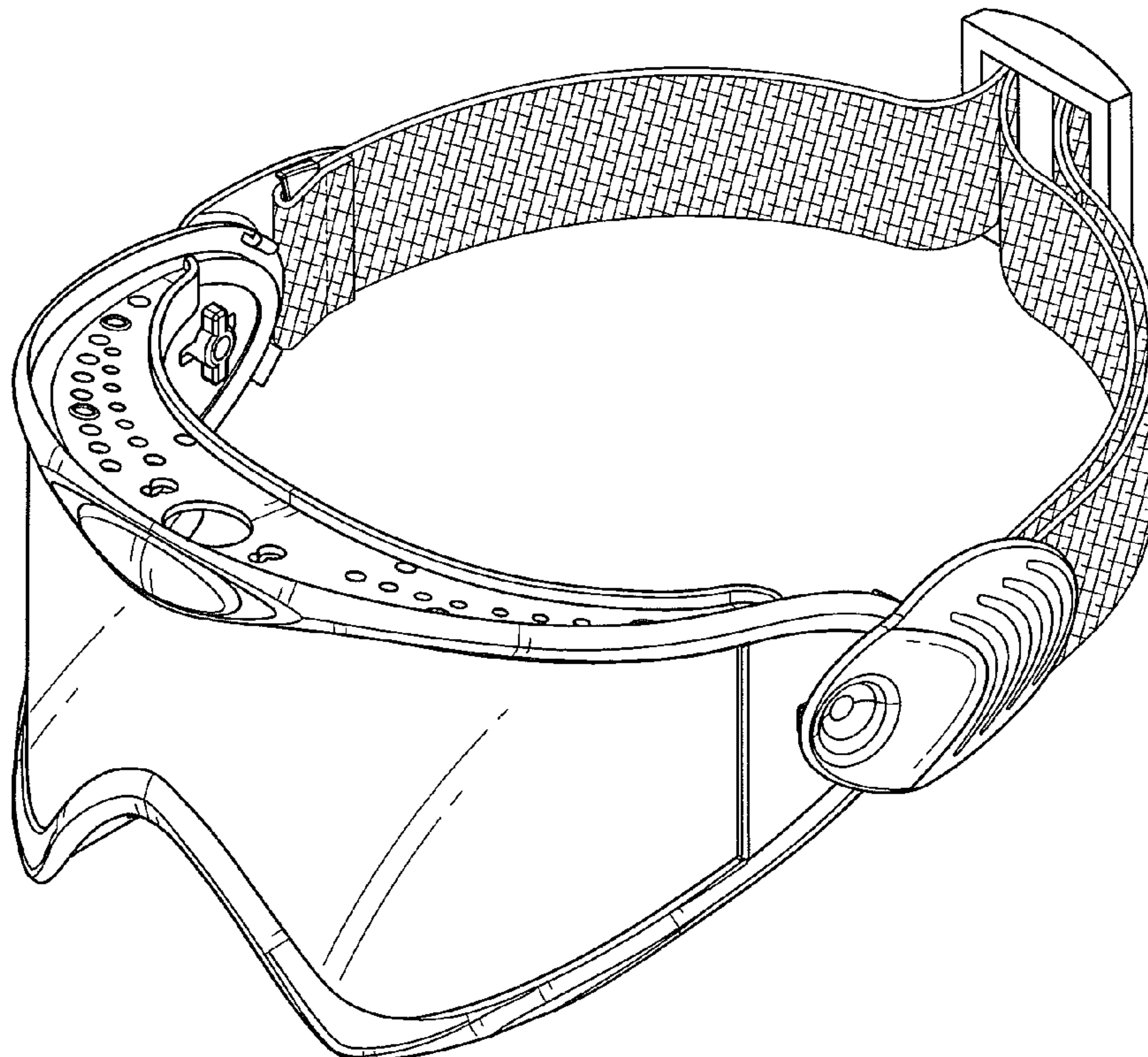
FIG. 4 is a left side elevational view thereof;

FIG. 5 is a right side elevational view thereof;

FIG. 6 is a top plan view thereof; and,

FIG. 7 is a bottom plan view thereof.

1 Claim, 5 Drawing Sheets



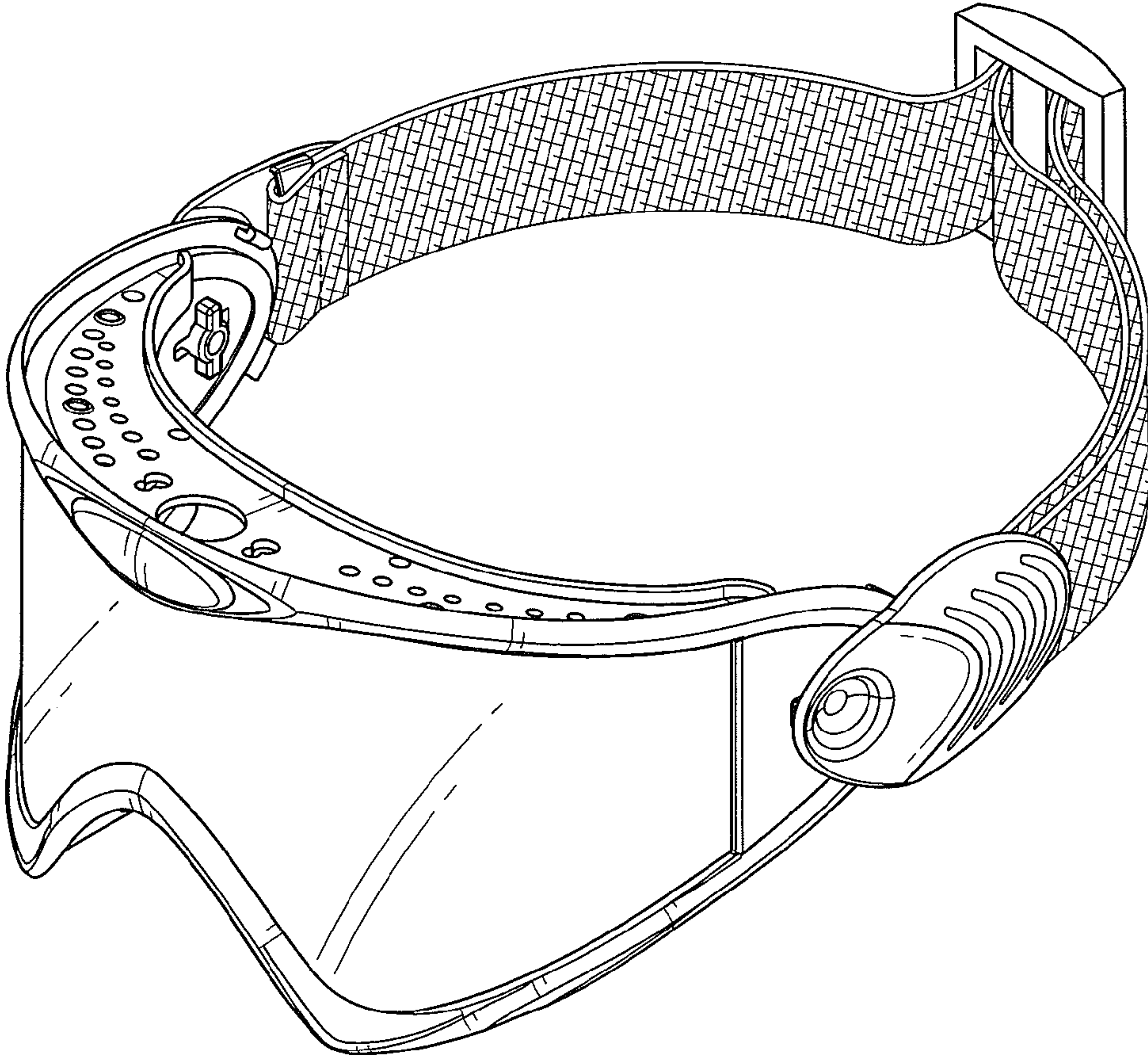


FIG. 1

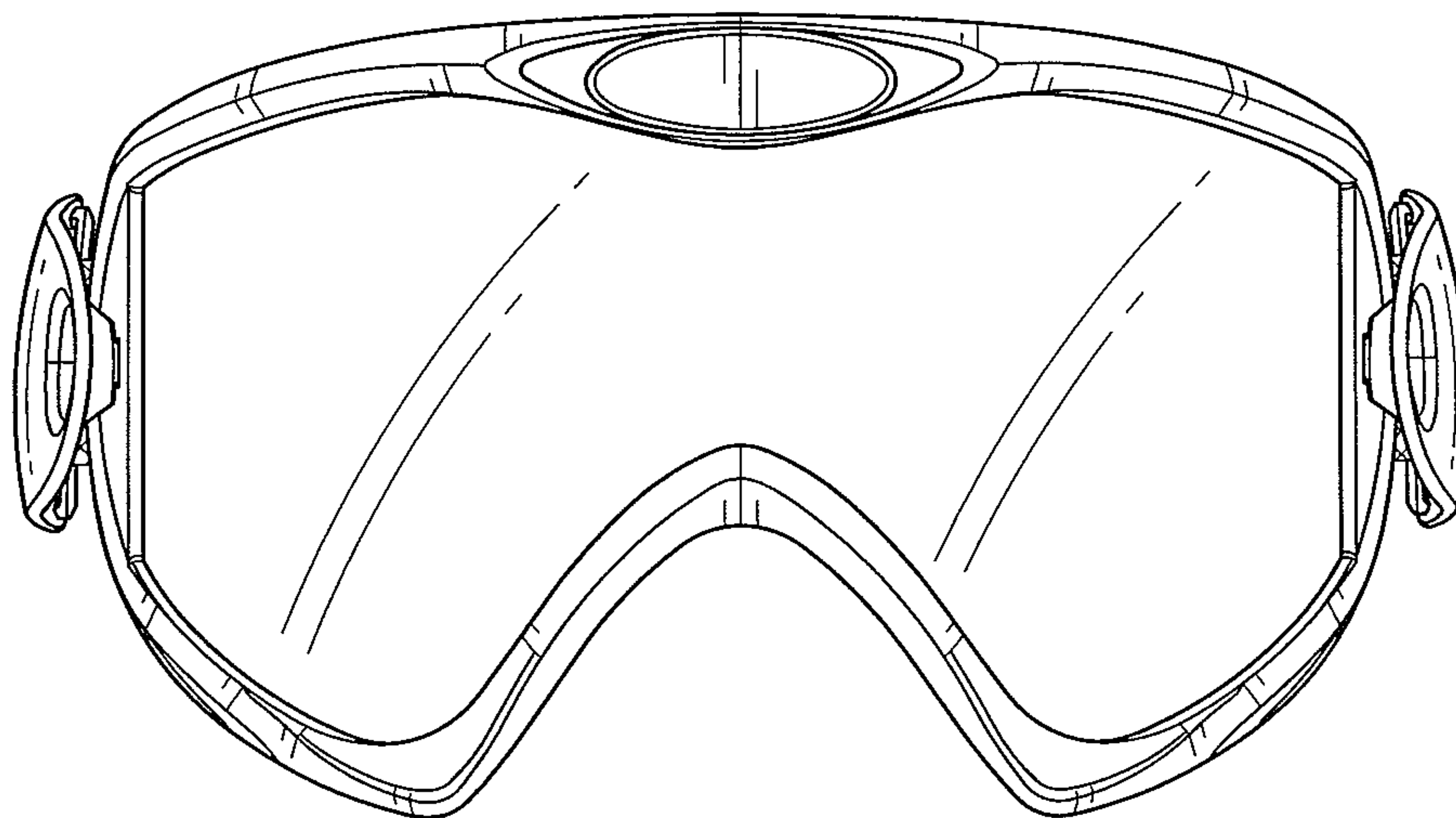


FIG. 2

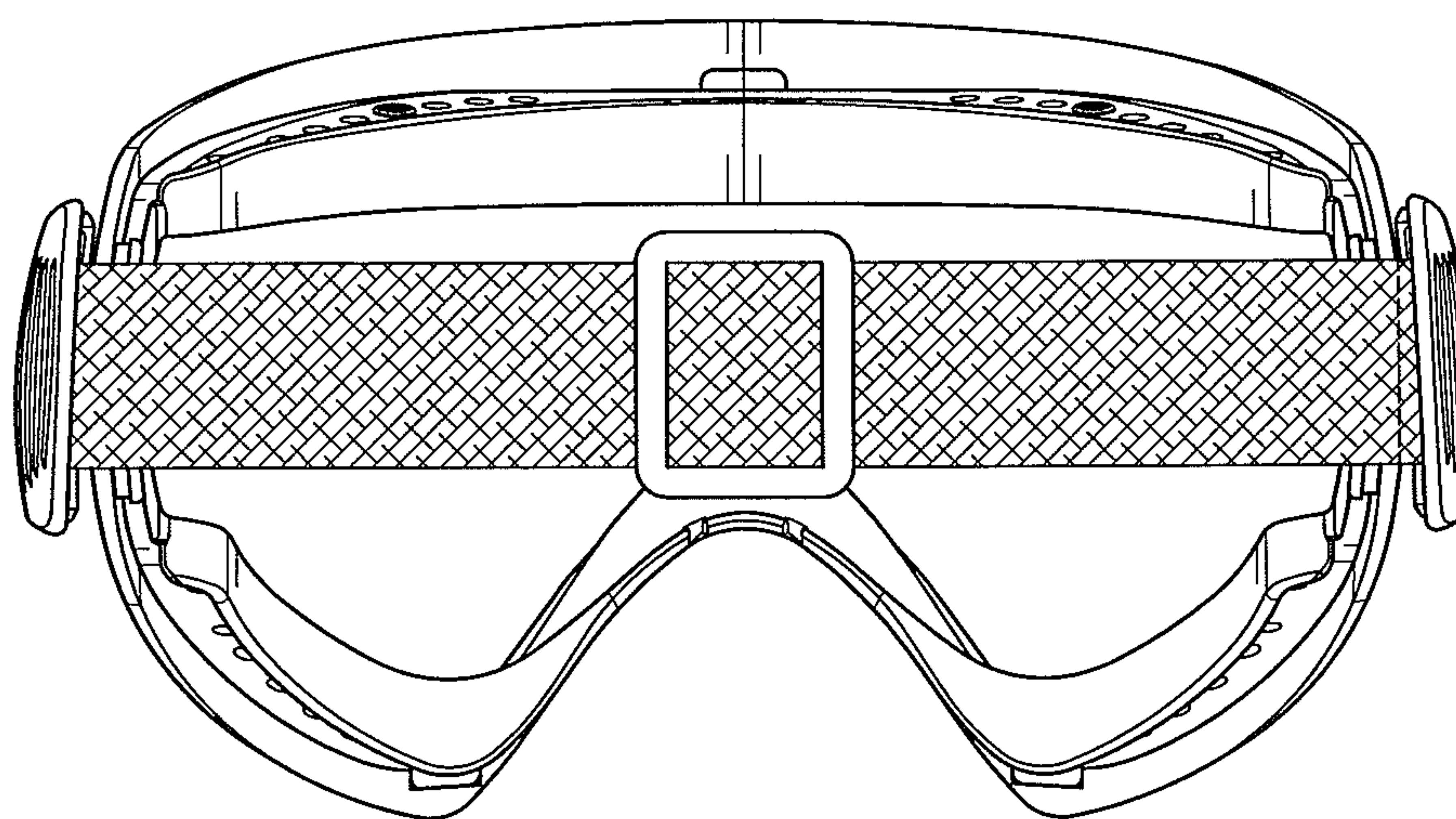


FIG. 3

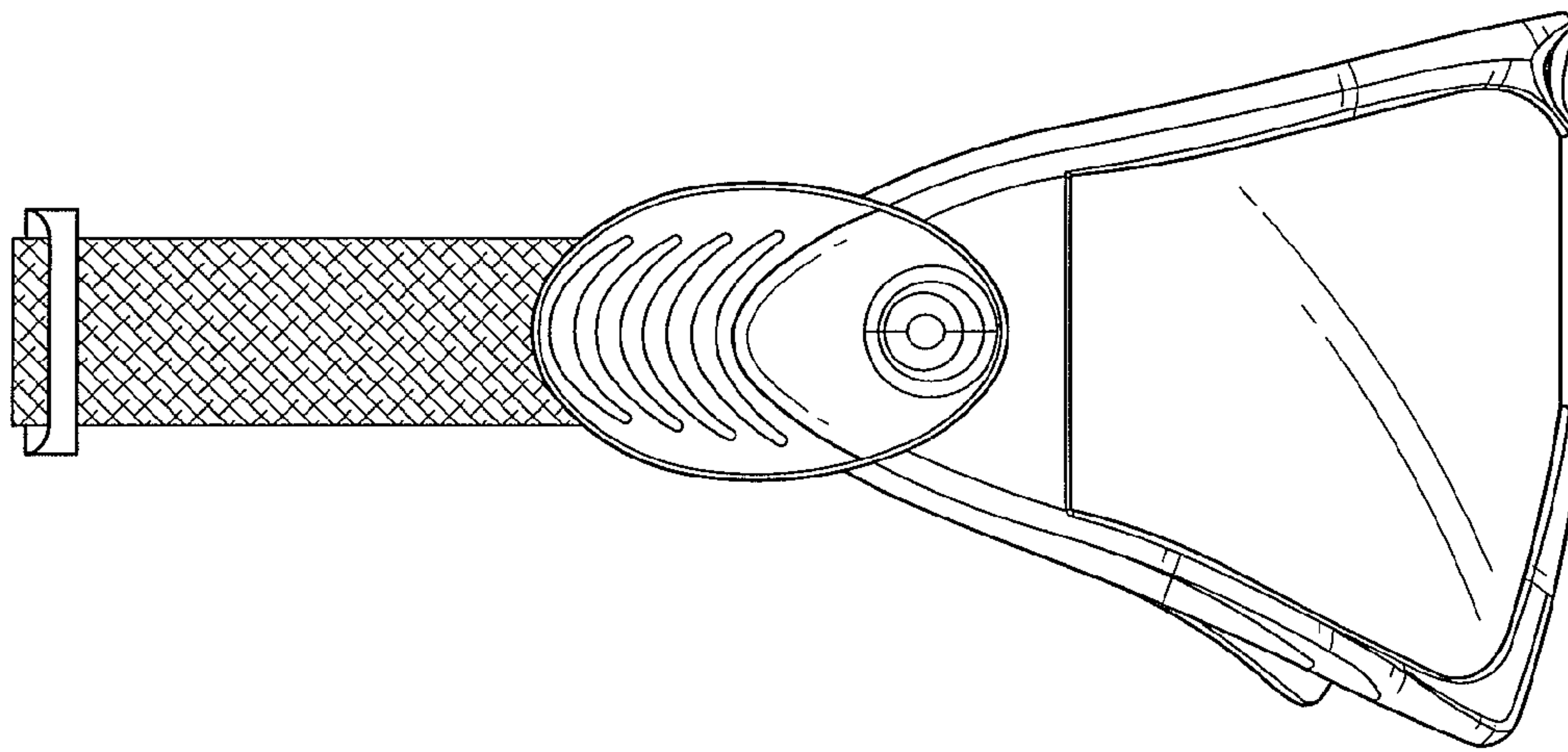


FIG. 4

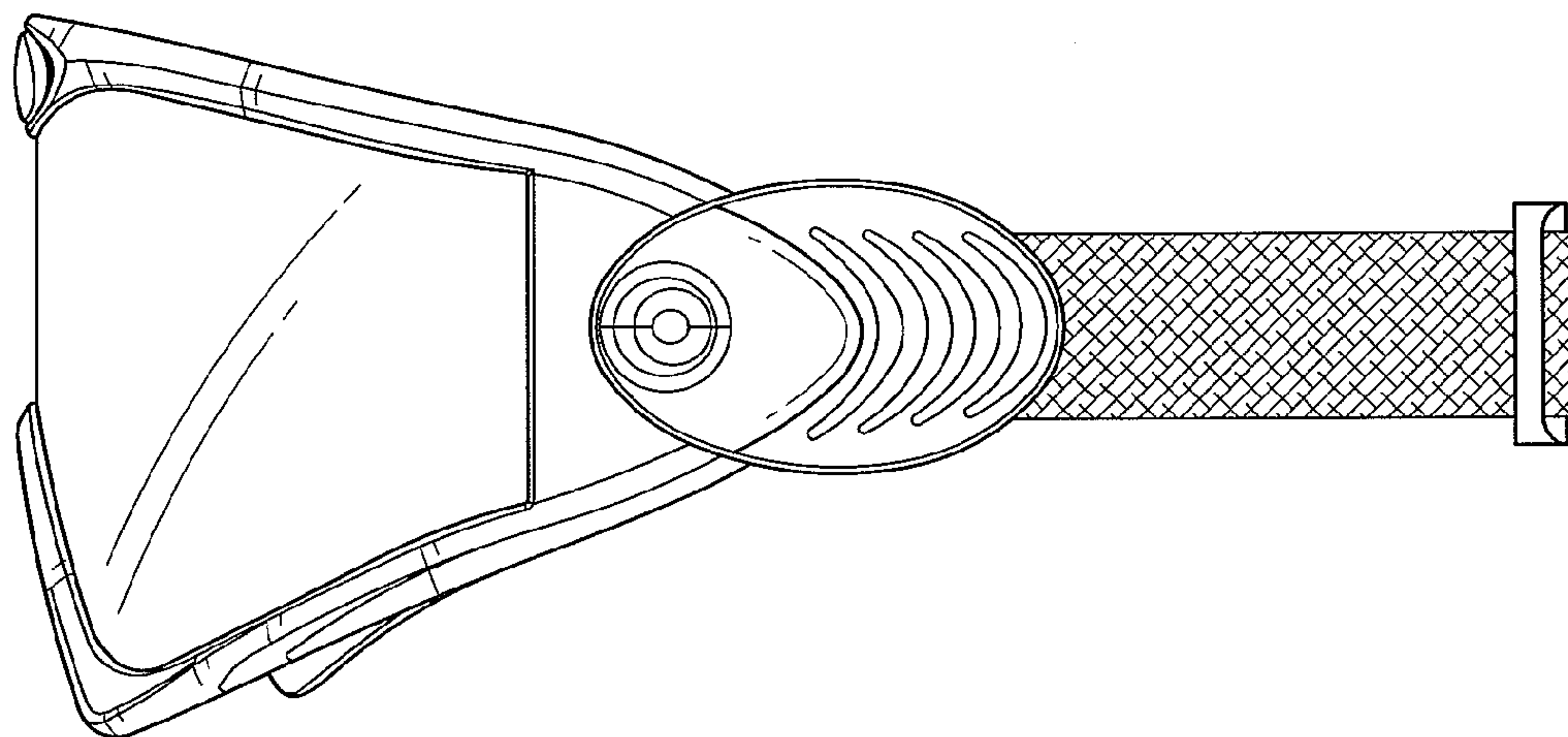


FIG. 5

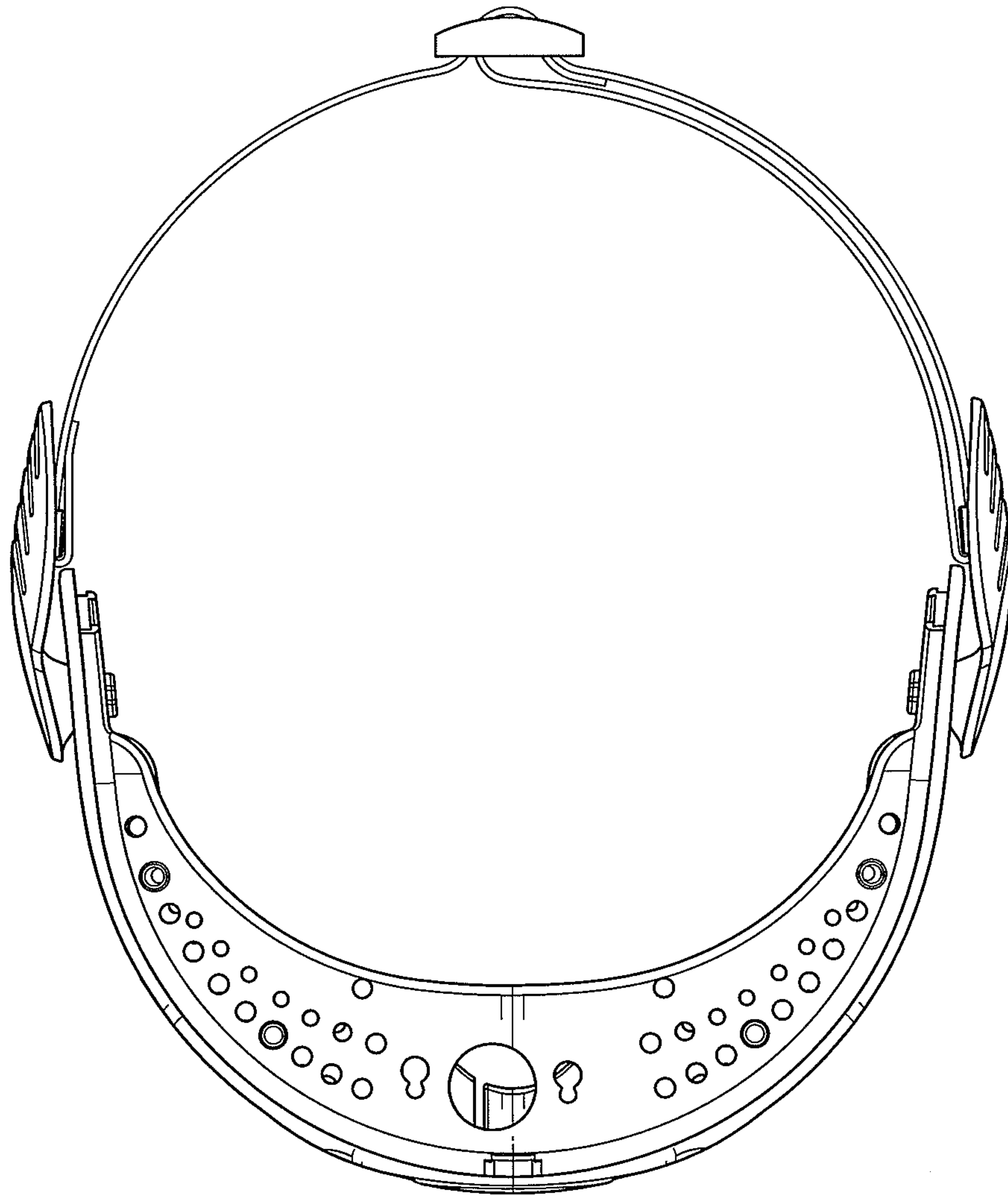


FIG. 6

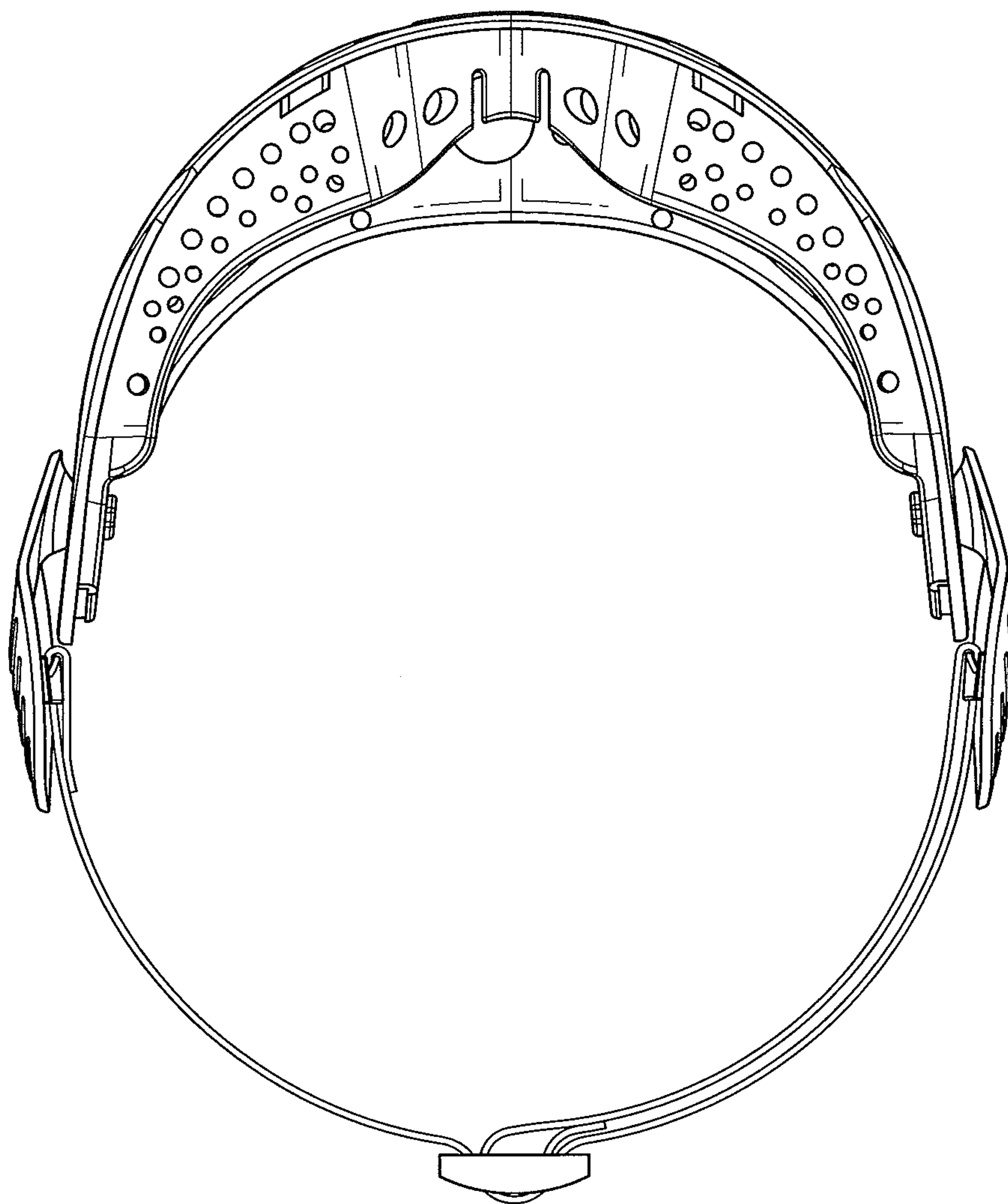


FIG. 7