



US00D680573S

(12) **United States Design Patent**
Sakamoto et al.

(10) **Patent No.:** **US D680,573 S**
(45) **Date of Patent:** **** Apr. 23, 2013**

(54) **TABLE MOUNT FOR PROJECTOR**

(75) Inventors: **Kenji Sakamoto**, Suwa (JP); **Hiroto Miyauchi**, Matsumoto (JP)

(73) Assignee: **Seiko Epson Corporation**, Tokyo (JP)

(**) Term: **14 Years**

(21) Appl. No.: **29/416,245**

(22) Filed: **Mar. 20, 2012**

(30) **Foreign Application Priority Data**

Jan. 6, 2012 (JP) 2012-000100

(51) **LOC (9) Cl.** **16-02**

(52) **U.S. Cl.**
USPC **D16/235**

(58) **Field of Classification Search** D16/235,
D16/237, 242, 245; D8/349, 354; 352/243;
248/535, 176.1, 180.1, 276.1, 346.01, 346.03,
248/346.06; D14/209.1, 447, 451

See application file for complete search history.

(56) **References Cited**

U.S. PATENT DOCUMENTS

D239,593 S * 4/1976 Douma D8/354
D265,969 S * 8/1982 Koessler D8/354
D549,232 S * 8/2007 Li et al. D14/447

D550,747 S * 9/2007 Sassano D16/221
D598,945 S * 8/2009 Gillespie D16/235
D606,547 S * 12/2009 Kamata et al. D14/451

OTHER PUBLICATIONS

Epson UST Table Mount. [Retrieved on Dec. 20, 2012]. Retrieved from the Internet: <URL: <http://www.paragontech.com.au/products/accessories/epson-ust-table-mount>>.*

* cited by examiner

Primary Examiner — Wan Laymon

(74) *Attorney, Agent, or Firm* — Oliff & Berridge, PLC

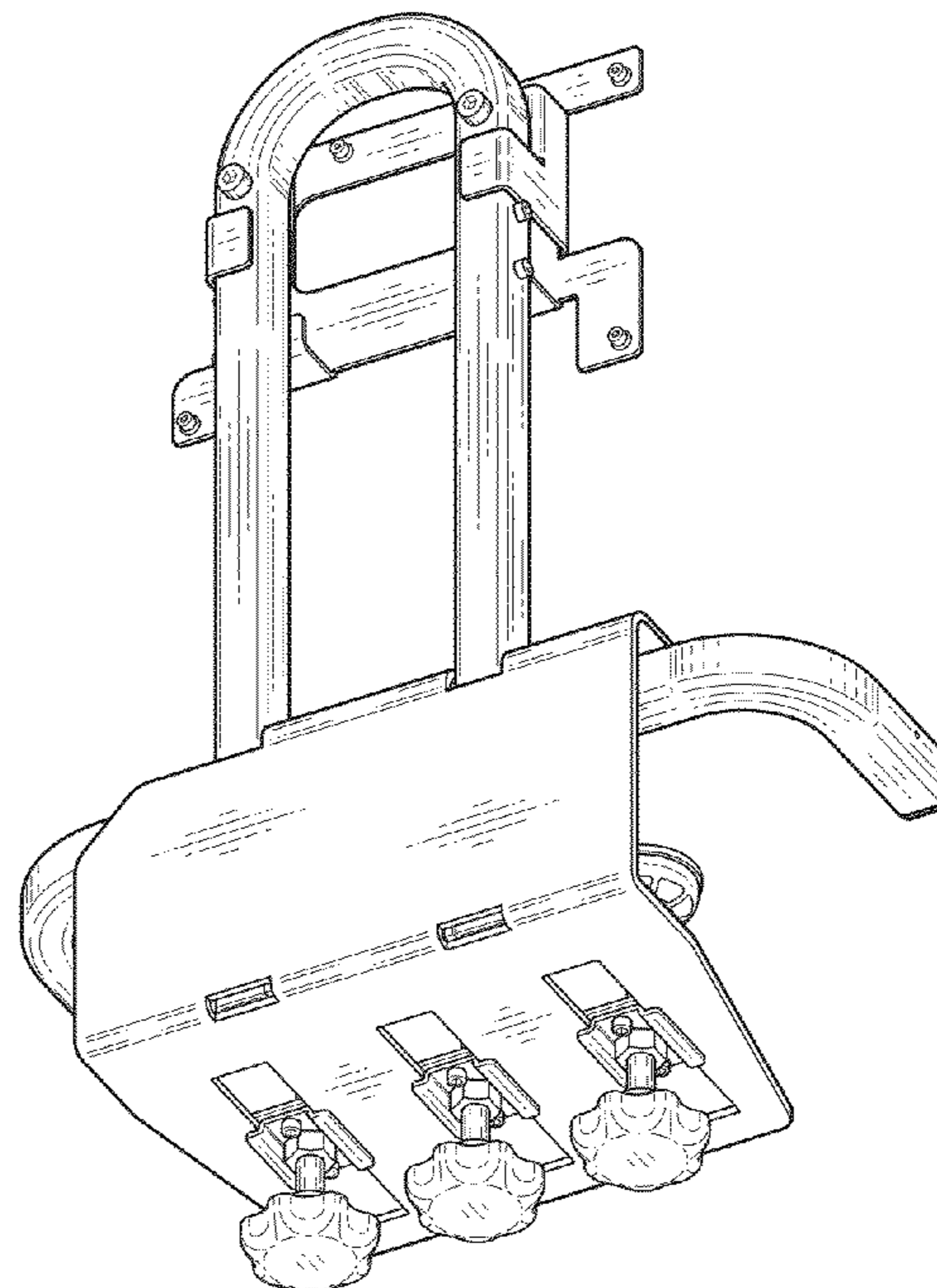
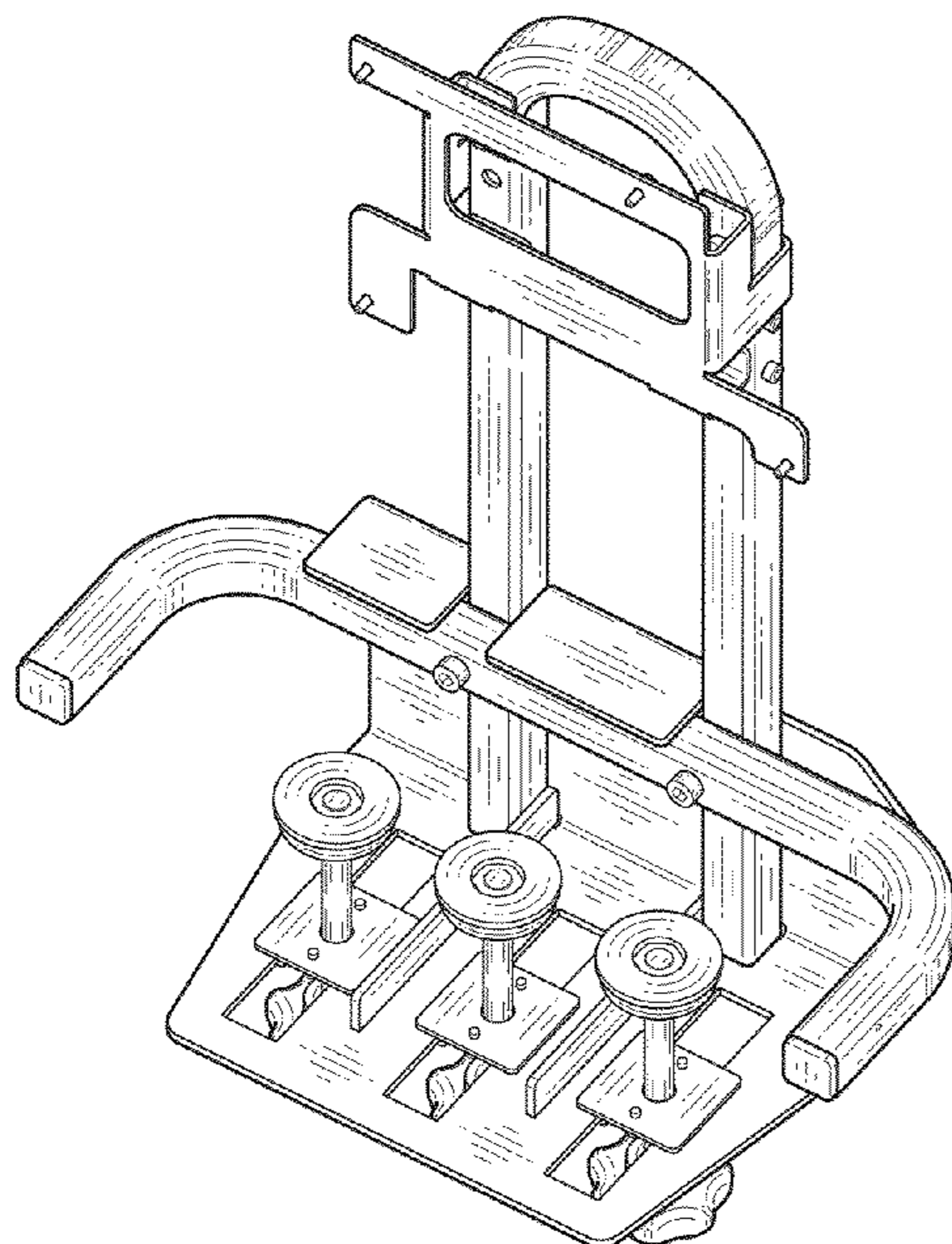
(57) **CLAIM**

The ornamental design for a table mount for projector, as shown and described.

DESCRIPTION

FIG. 1 is a top, front, right-side perspective view of a table mount for projector;
FIG. 2 is a bottom, rear, left-side perspective view thereof;
FIG. 3 is front view thereof;
FIG. 4 is a rear view thereof;
FIG. 5 is a left-side view thereof;
FIG. 6 is a right-side view thereof;
FIG. 7 is a top view thereof; and,
FIG. 8 is a bottom view thereof.

1 Claim, 6 Drawing Sheets



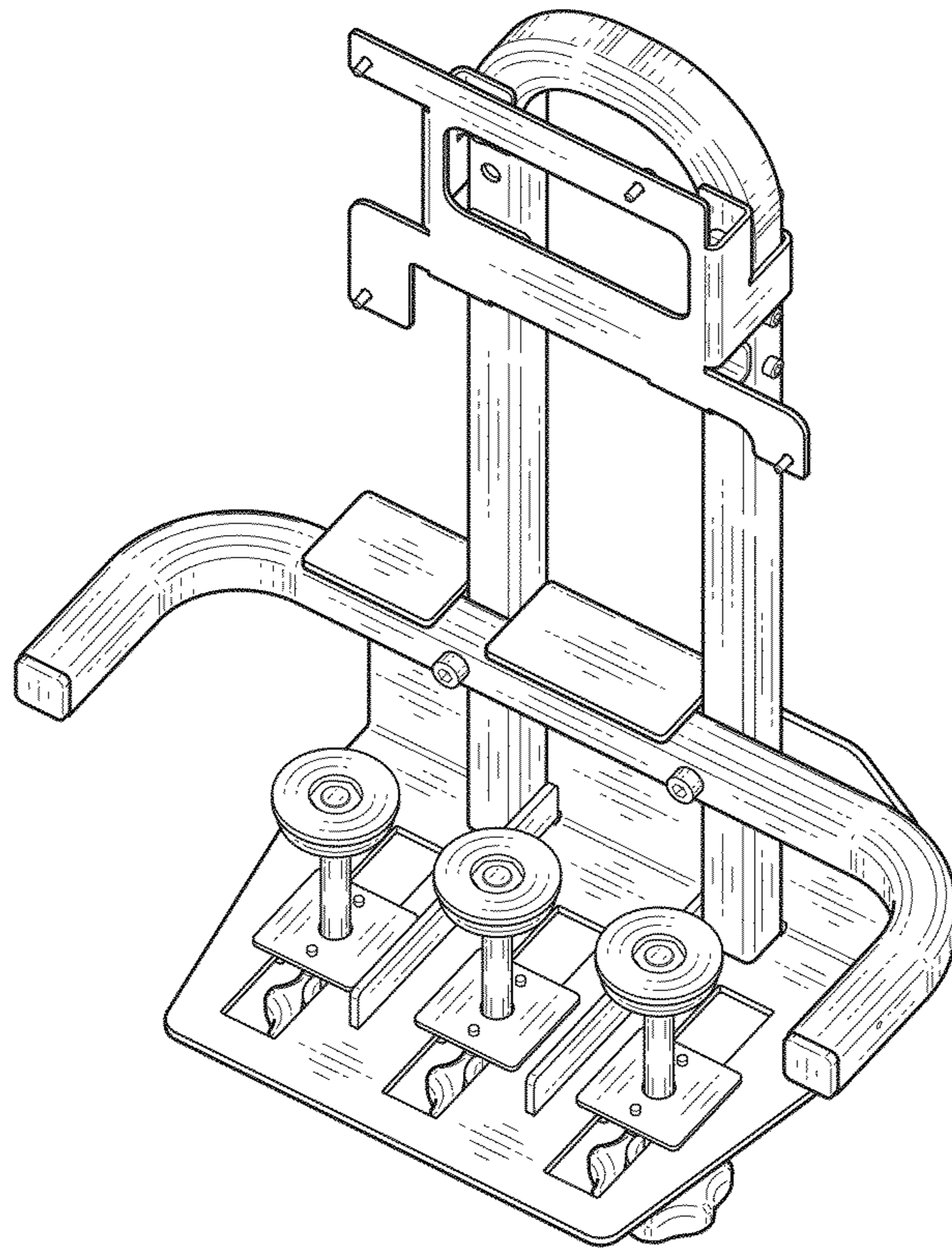


FIG. 1

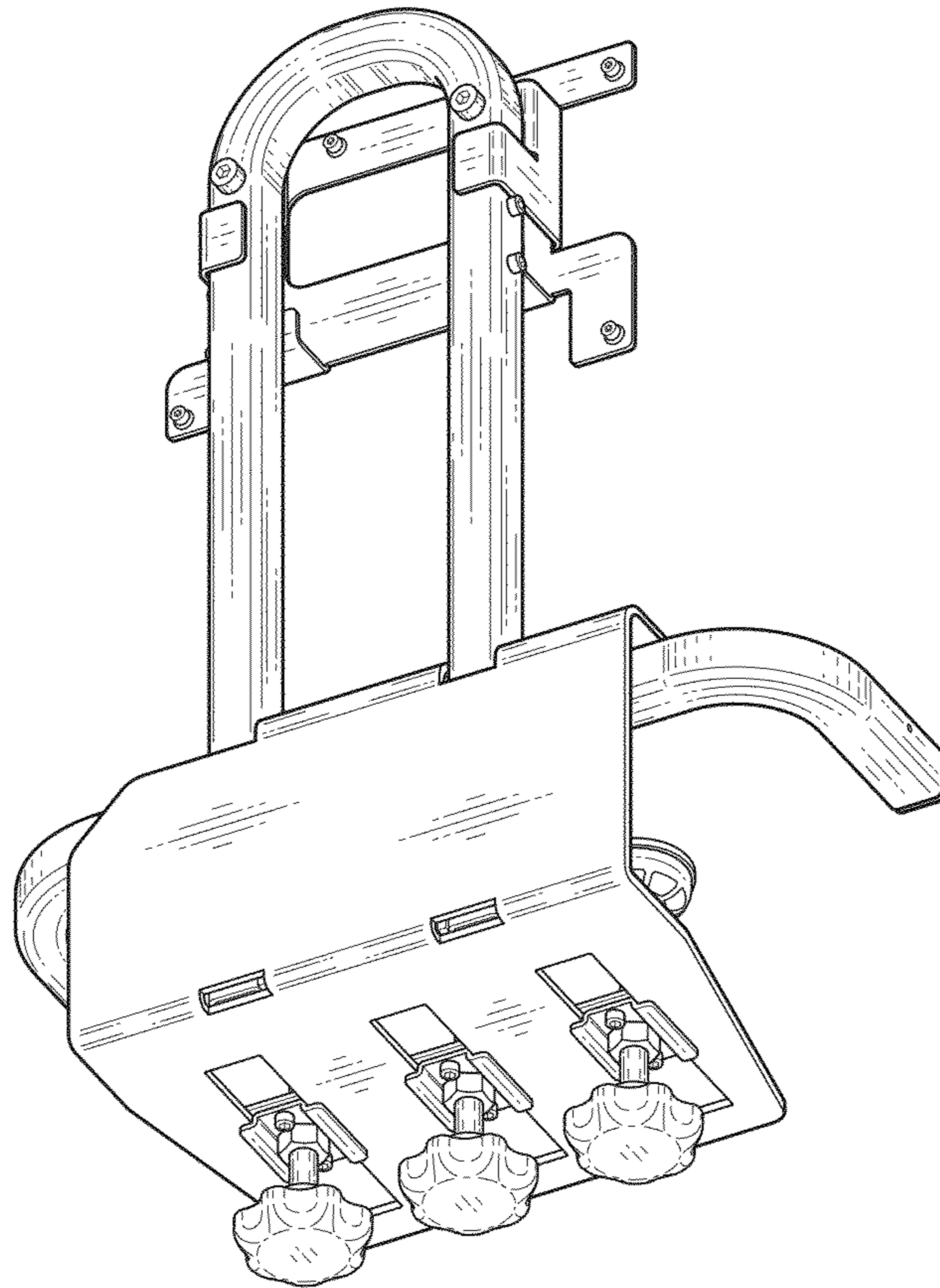


FIG. 2

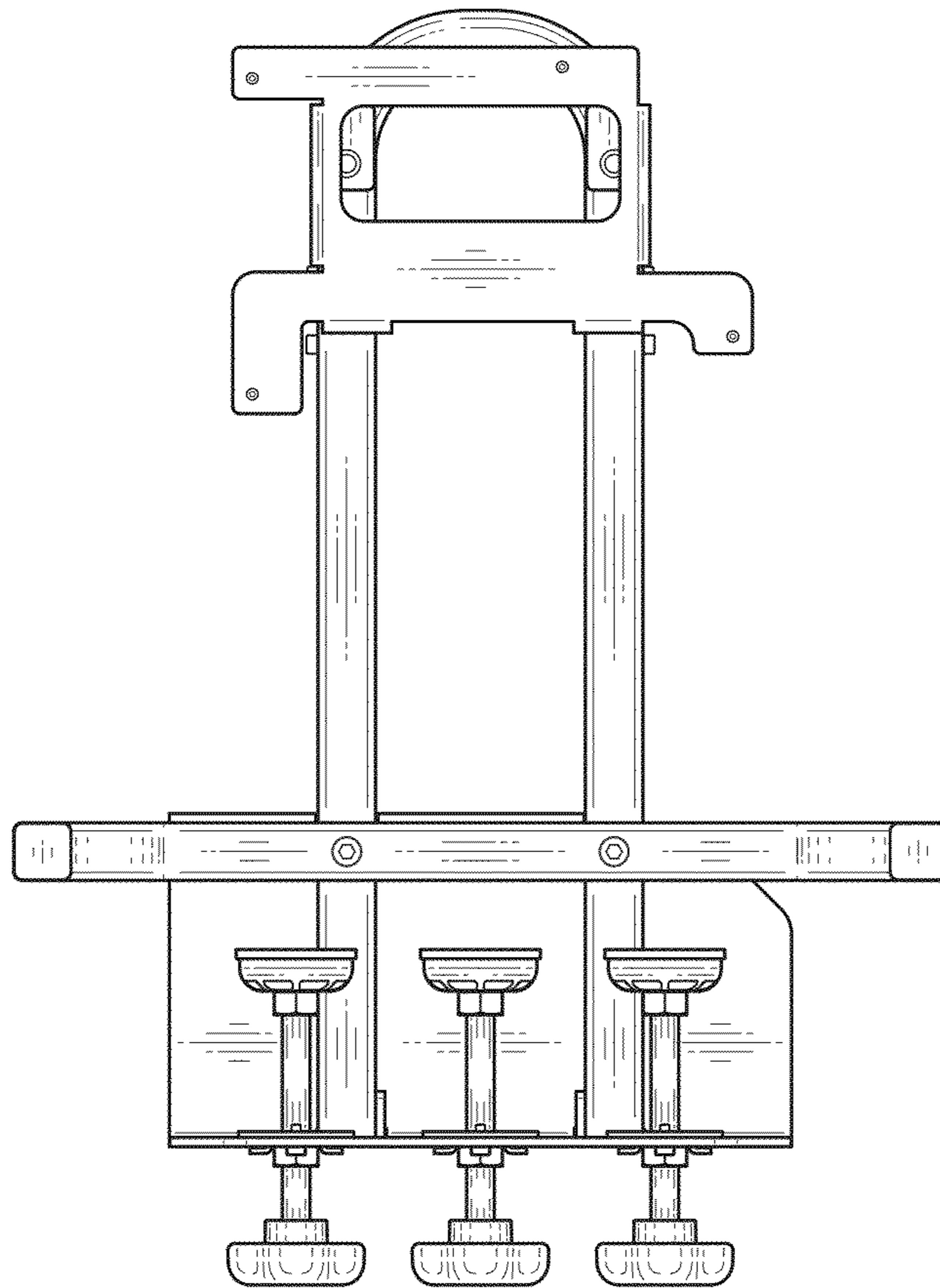


FIG. 3

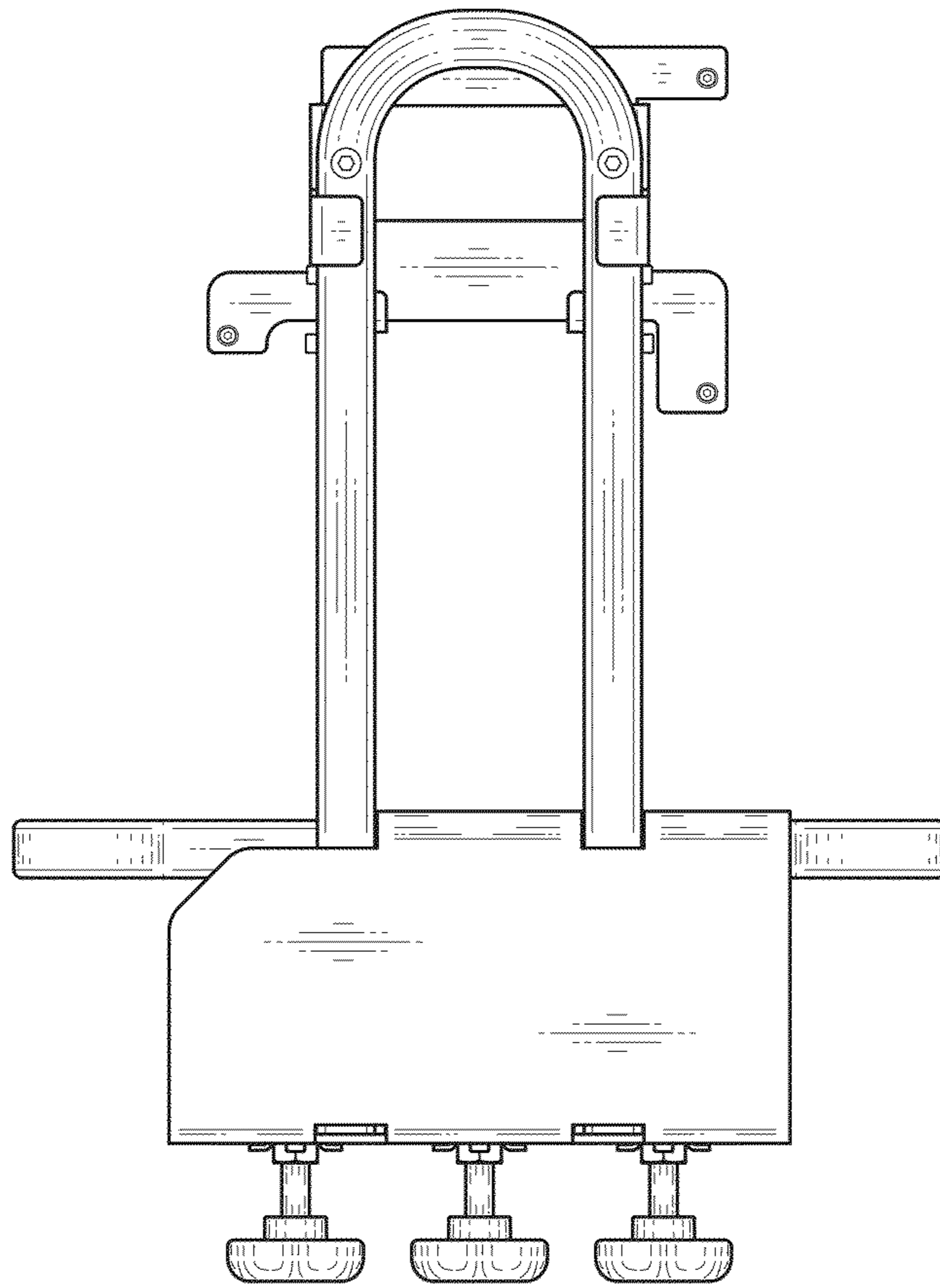


FIG. 4

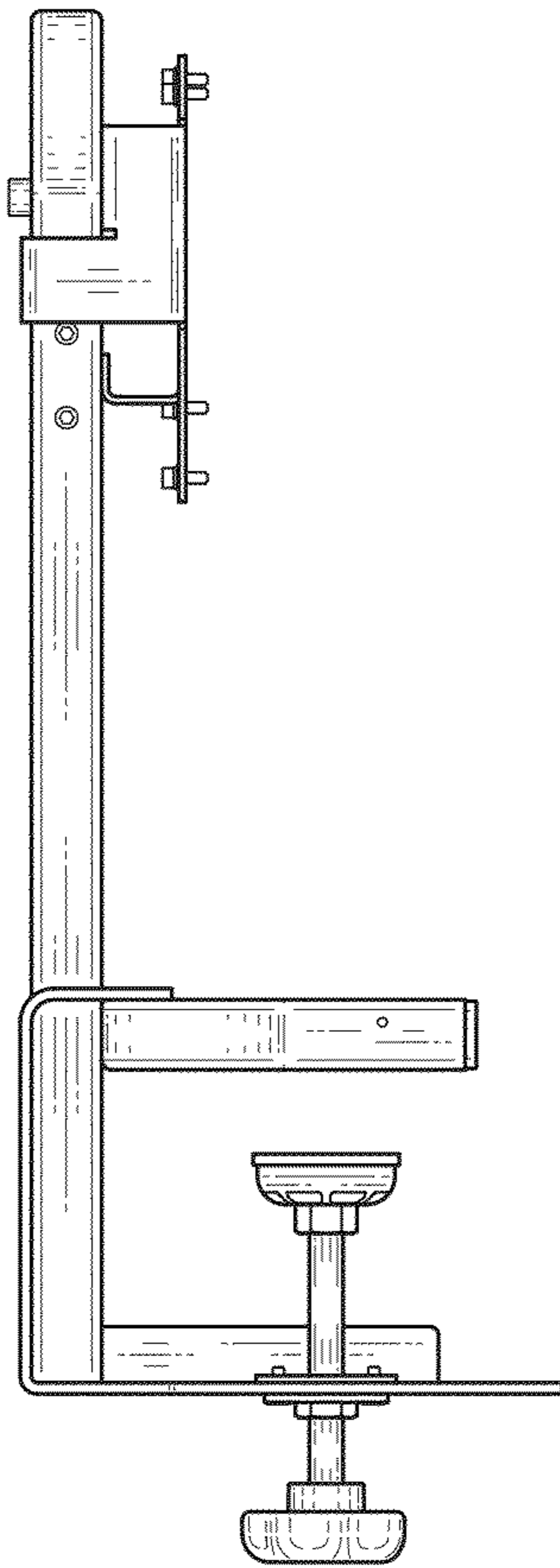


FIG. 5

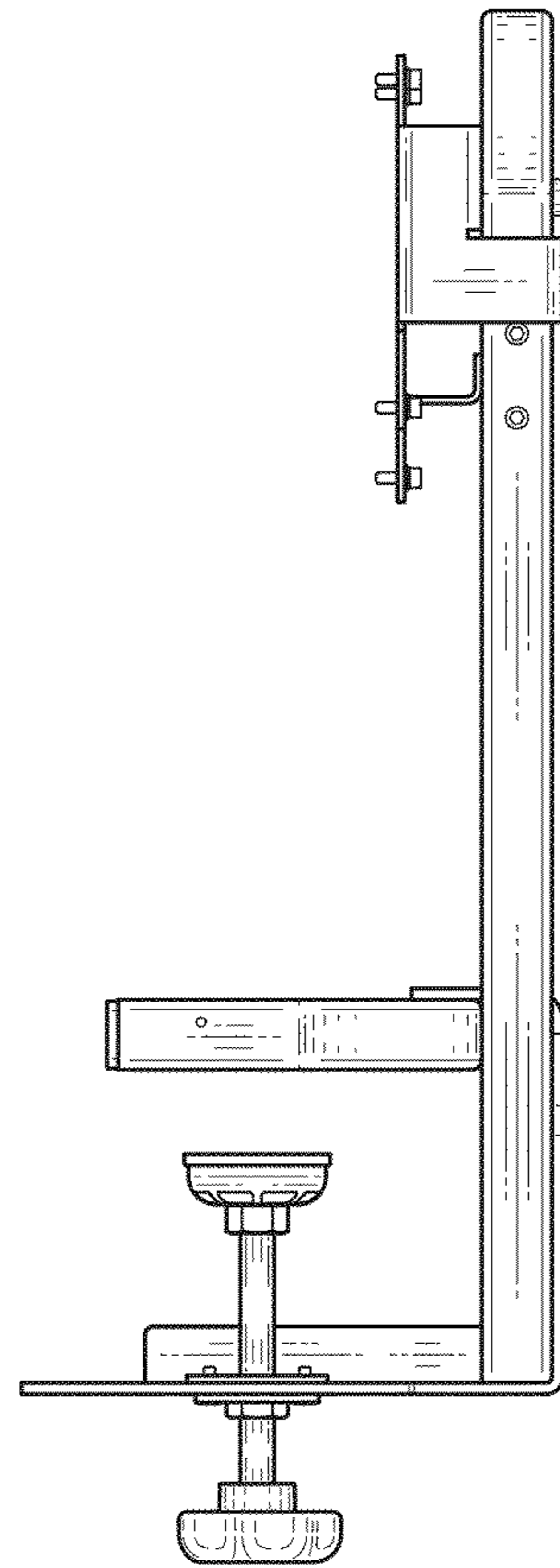


FIG. 6

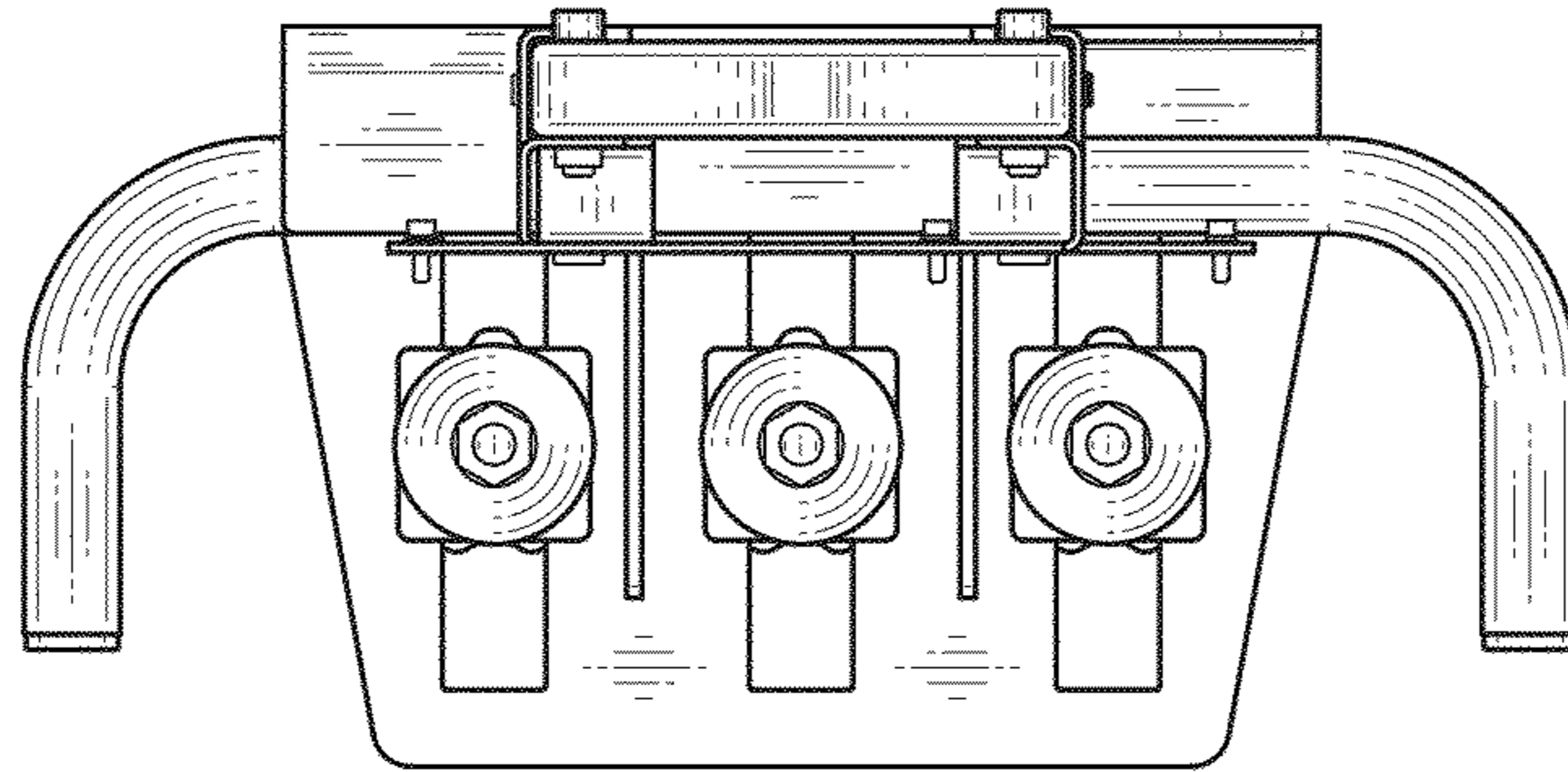


FIG. 7

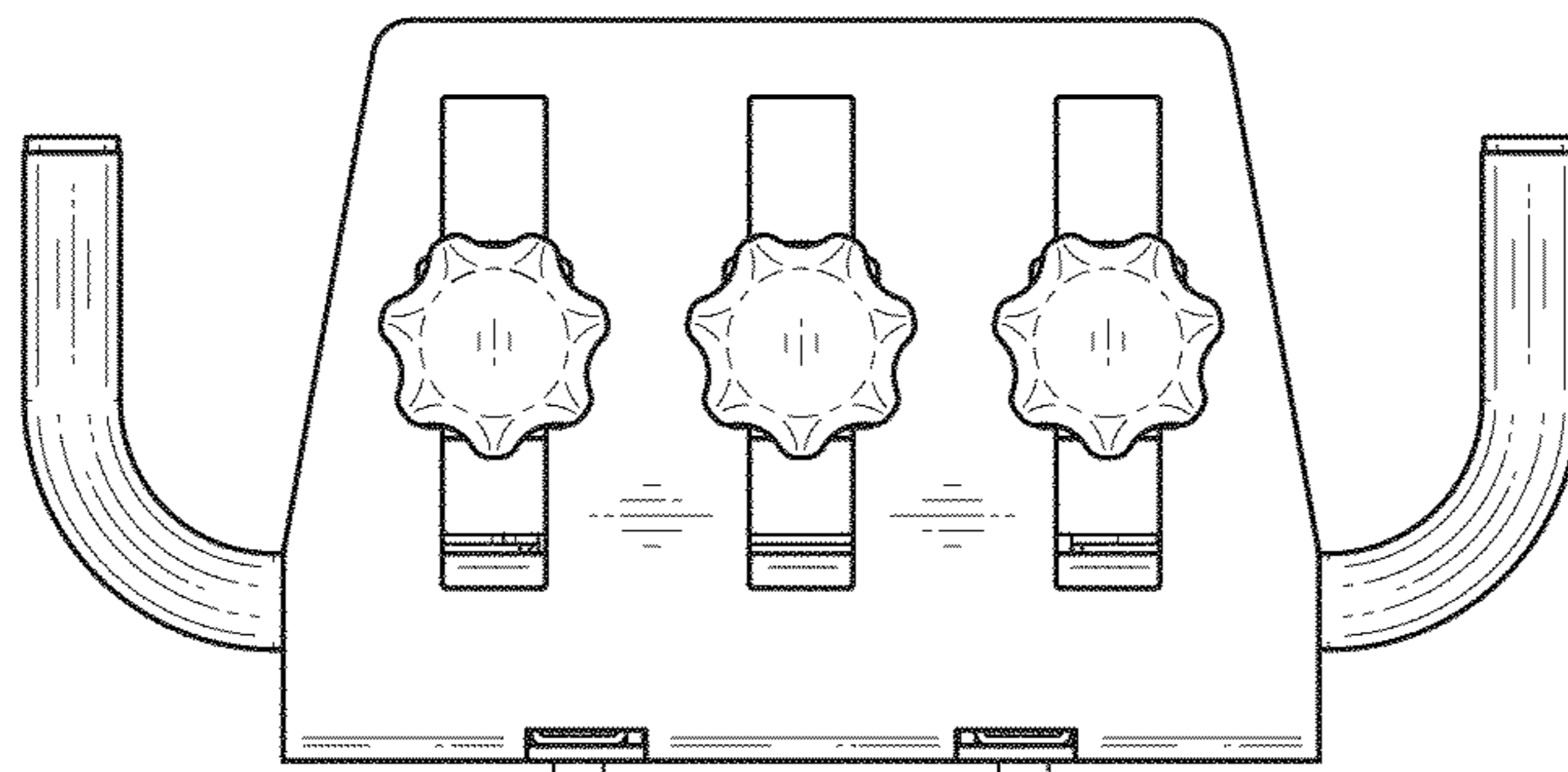


FIG. 8