



US00D680572S

(12) **United States Design Patent**
Morohoshi

(10) **Patent No.:** **US D680,572 S**
(45) **Date of Patent:** **** Apr. 23, 2013**

(54) **PROJECTOR**

7,216,989 B2 * 5/2007 Sakurai 353/119
7,984,991 B2 * 7/2011 Hayashi et al. 353/15
2011/0242506 A1 * 10/2011 Uchiyama et al. 353/119

(75) Inventor: **Hiroshi Morohoshi**, Yokohama (JP)

(73) Assignee: **Ricoh Company, Ltd.**, Tokyo (JP)

(**) Term: **14 Years**

FOREIGN PATENT DOCUMENTS

JP 2011-186706 8/2011
JP 2011-186717 8/2011
JP 2011-186743 8/2011

(21) Appl. No.: **29/408,858**

(22) Filed: **Dec. 16, 2011**

OTHER PUBLICATIONS

Unpublished U.S. Appl. No. 13/595,087.
Unpublished U.S. Appl. No. 13/596,471.
Unpublished U.S. Appl. No. 13/589,570.

(30) **Foreign Application Priority Data**

Aug. 30, 2011 (JP) 2011-019495

(51) **LOC (9) Cl.** **16-02**

(52) **U.S. Cl.**

USPC **D16/225**; D16/230

(58) **Field of Classification Search** D16/221,
D16/225, 229-231, 234; D21/514; 352/34,
352/242; 353/46, 50, 71, 74, 119, 122, 115,
353/52, 57, 15

See application file for complete search history.

* cited by examiner

Primary Examiner — Wan Laymon

(74) *Attorney, Agent, or Firm* — Oblon, Spivak,
McClelland, Maier & Neustadt, L.L.P.

(57) **CLAIM**

The ornamental design for a projector, as shown and described.

DESCRIPTION

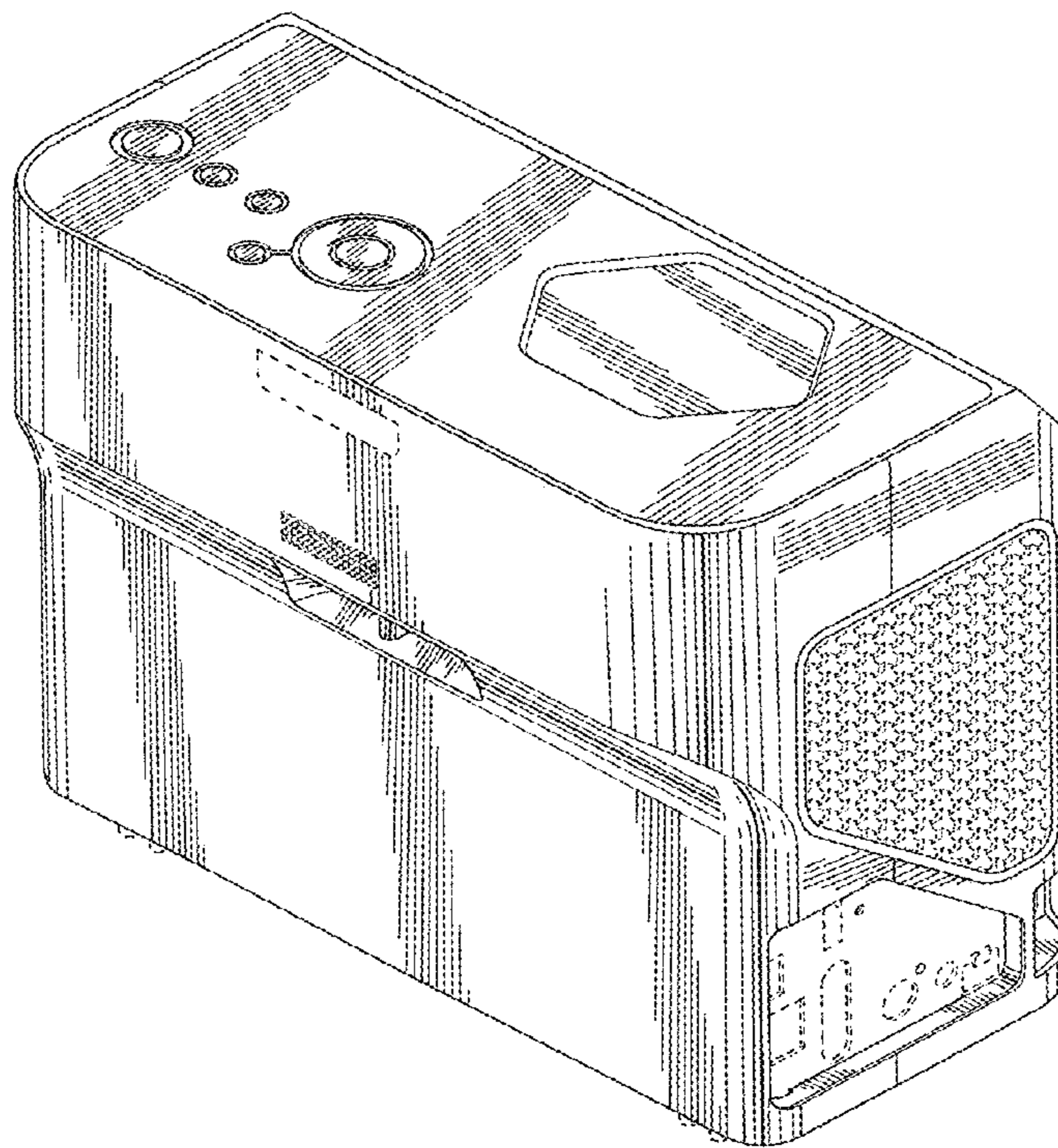
FIG. 1 is an enlarged front elevational view of a projector;
FIG. 2 is an enlarged rear elevational view thereof;
FIG. 3 is an enlarged left side elevational view thereof;
FIG. 4 is an enlarged right side elevational view thereof;
FIG. 5 is an enlarged top plan view thereof;
FIG. 6 is an enlarged bottom plan view thereof; and,
FIG. 7 is a front, top, and right side perspective view thereof.
The broken lines in the drawings depict environmental subject matter only and form no part of the claimed design.

(56) **References Cited**

U.S. PATENT DOCUMENTS

3,100,427 A * 8/1963 Lehmann et al. D16/225
D229,781 S * 1/1974 Laughon D16/225
5,630,659 A * 5/1997 Ronzani et al. 353/15
D382,002 S * 8/1997 Hix et al. D16/231
D433,048 S * 10/2000 Ikenaga et al. D16/231
D491,218 S * 6/2004 Masamitsu et al. D18/50
6,966,651 B2 * 11/2005 Johnson 353/15

1 Claim, 7 Drawing Sheets



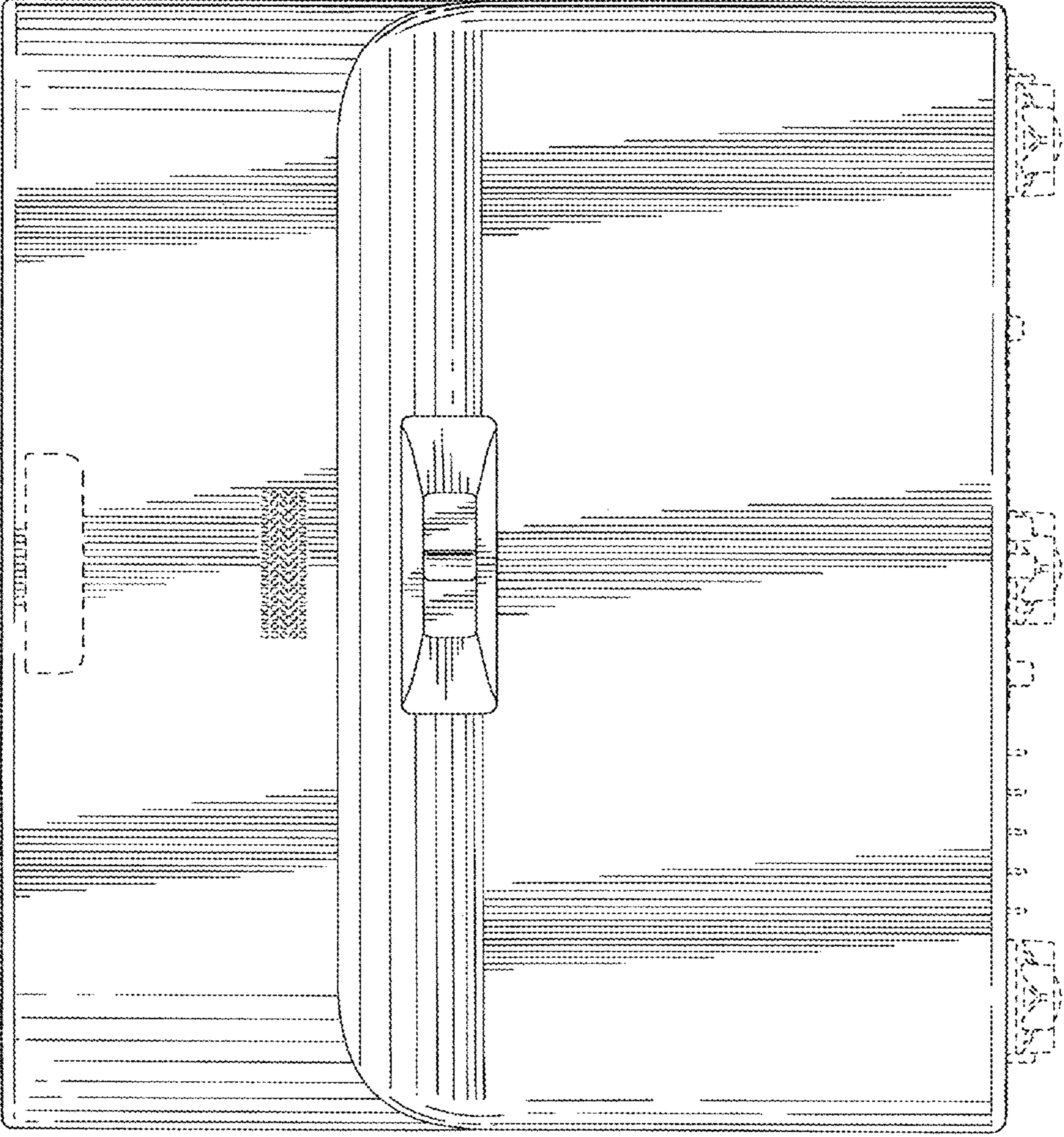


Fig. 1

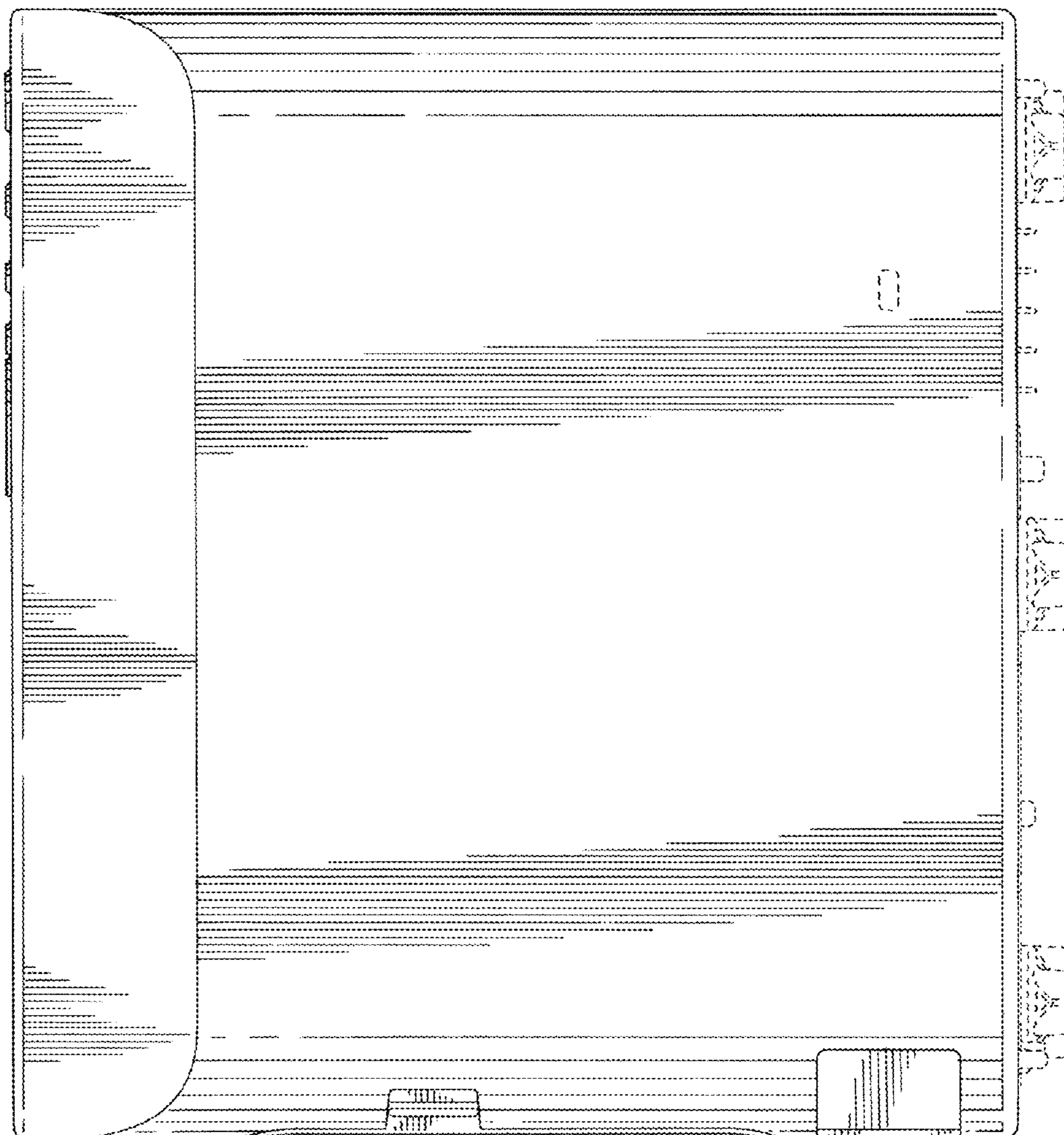


Fig. 2

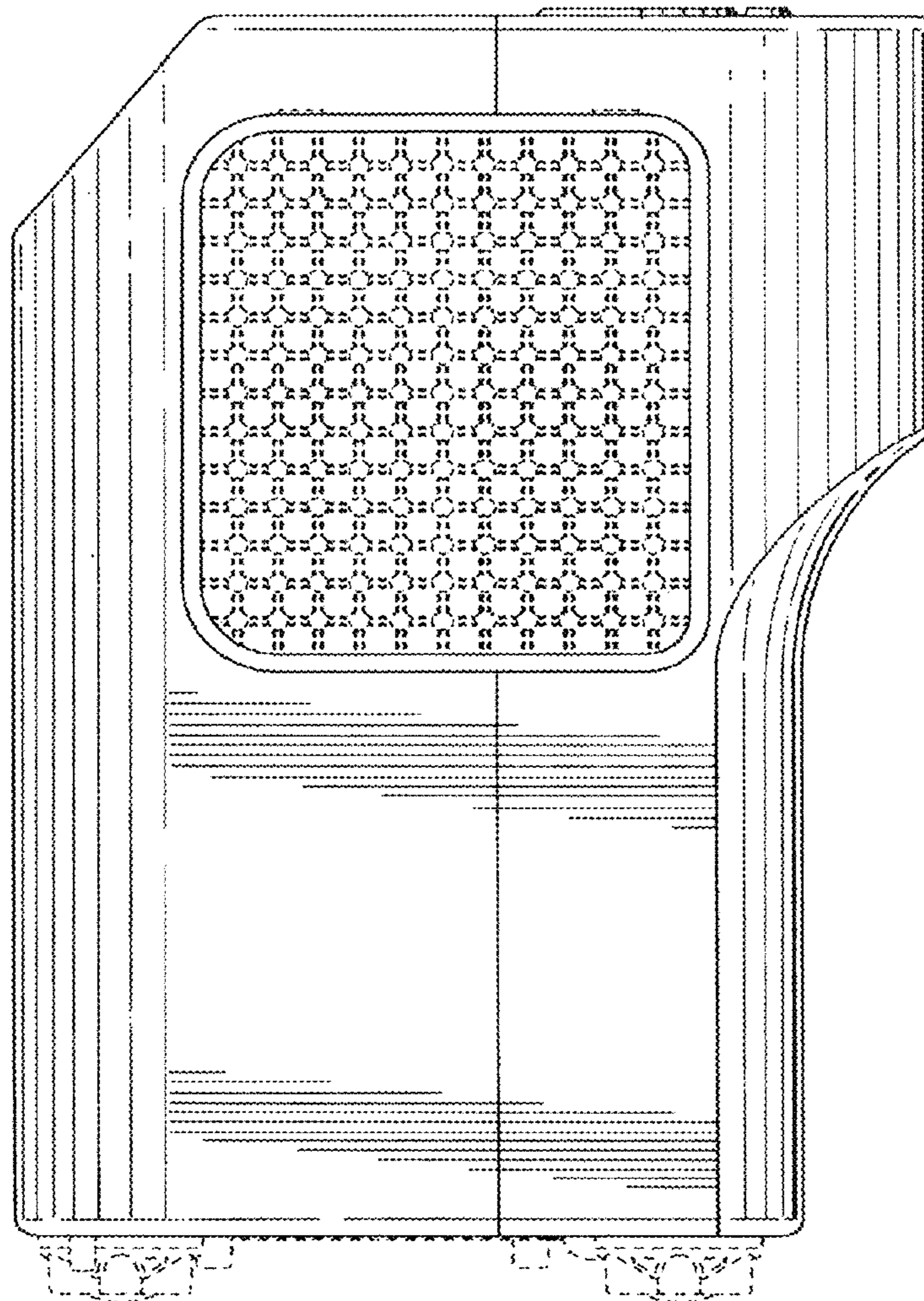


Fig. 3

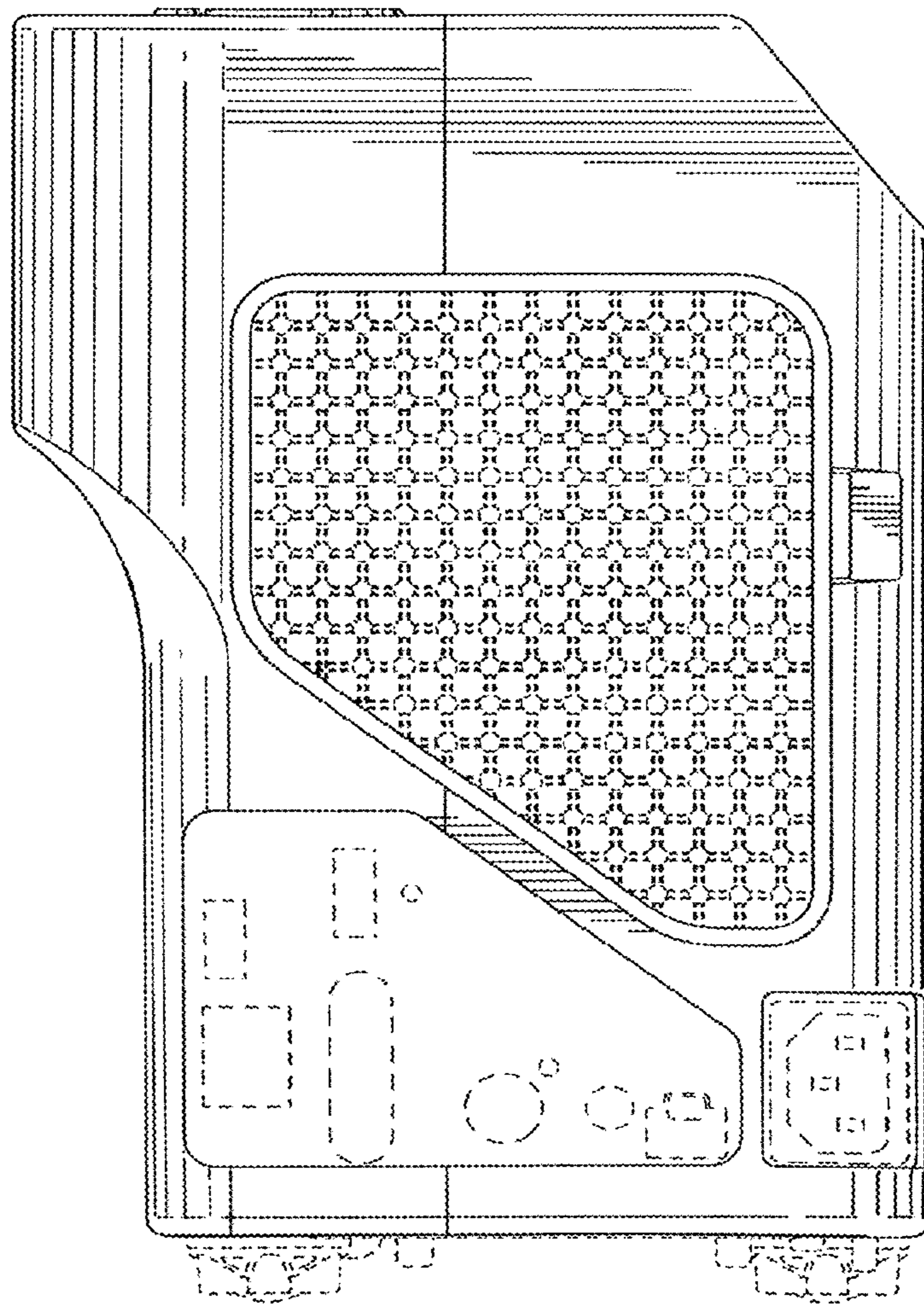


Fig. 4

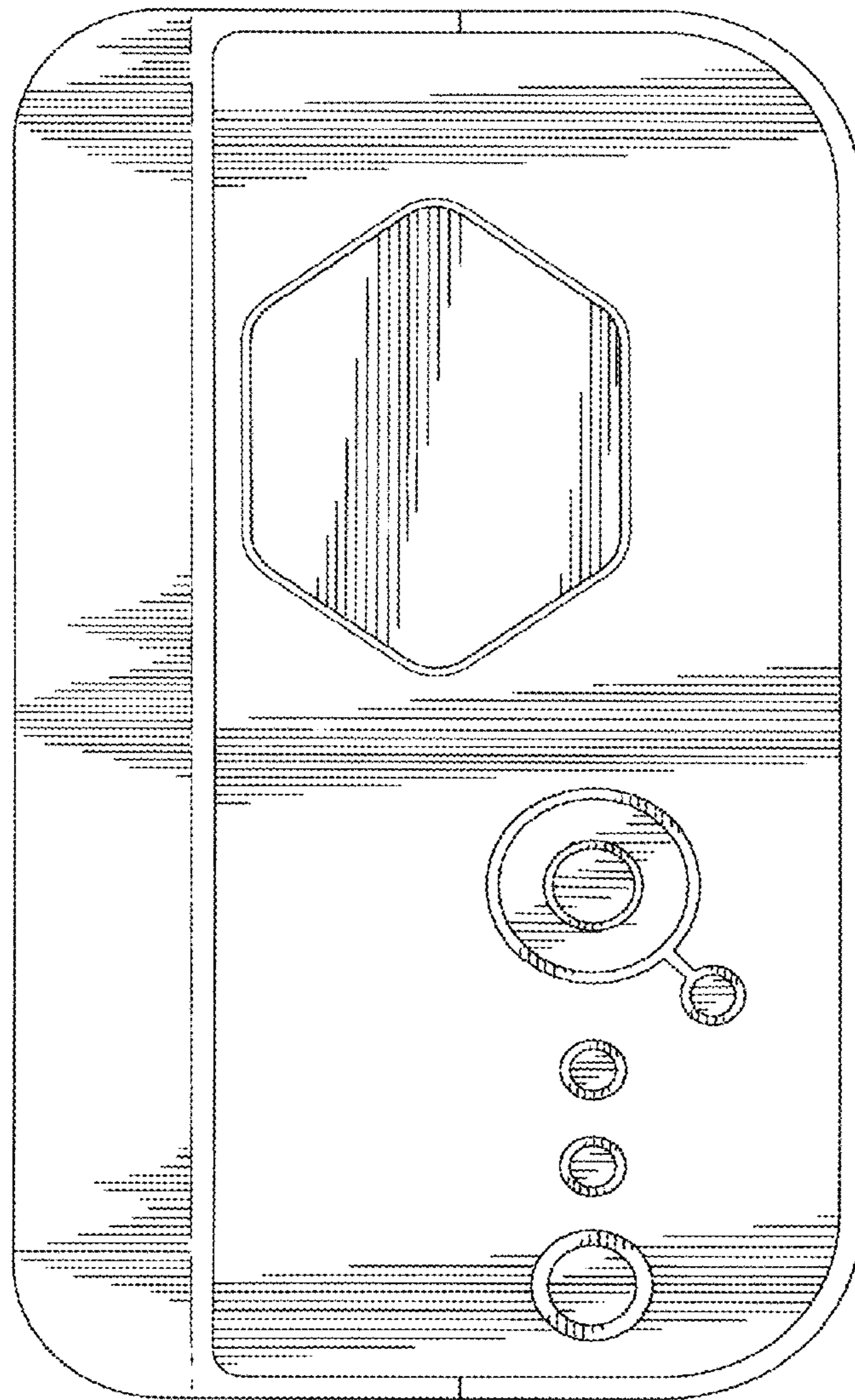


Fig. 5

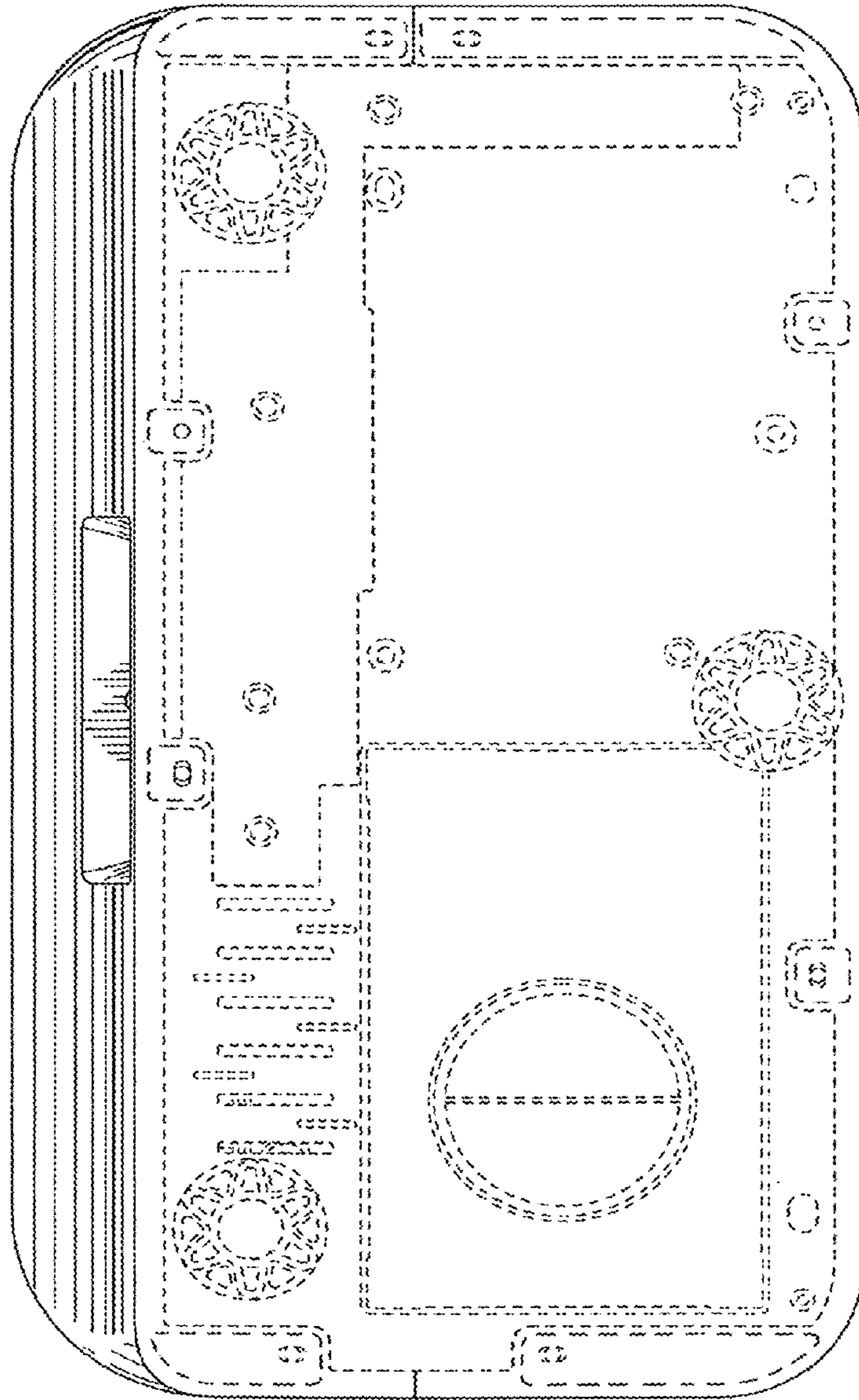


Fig. 6

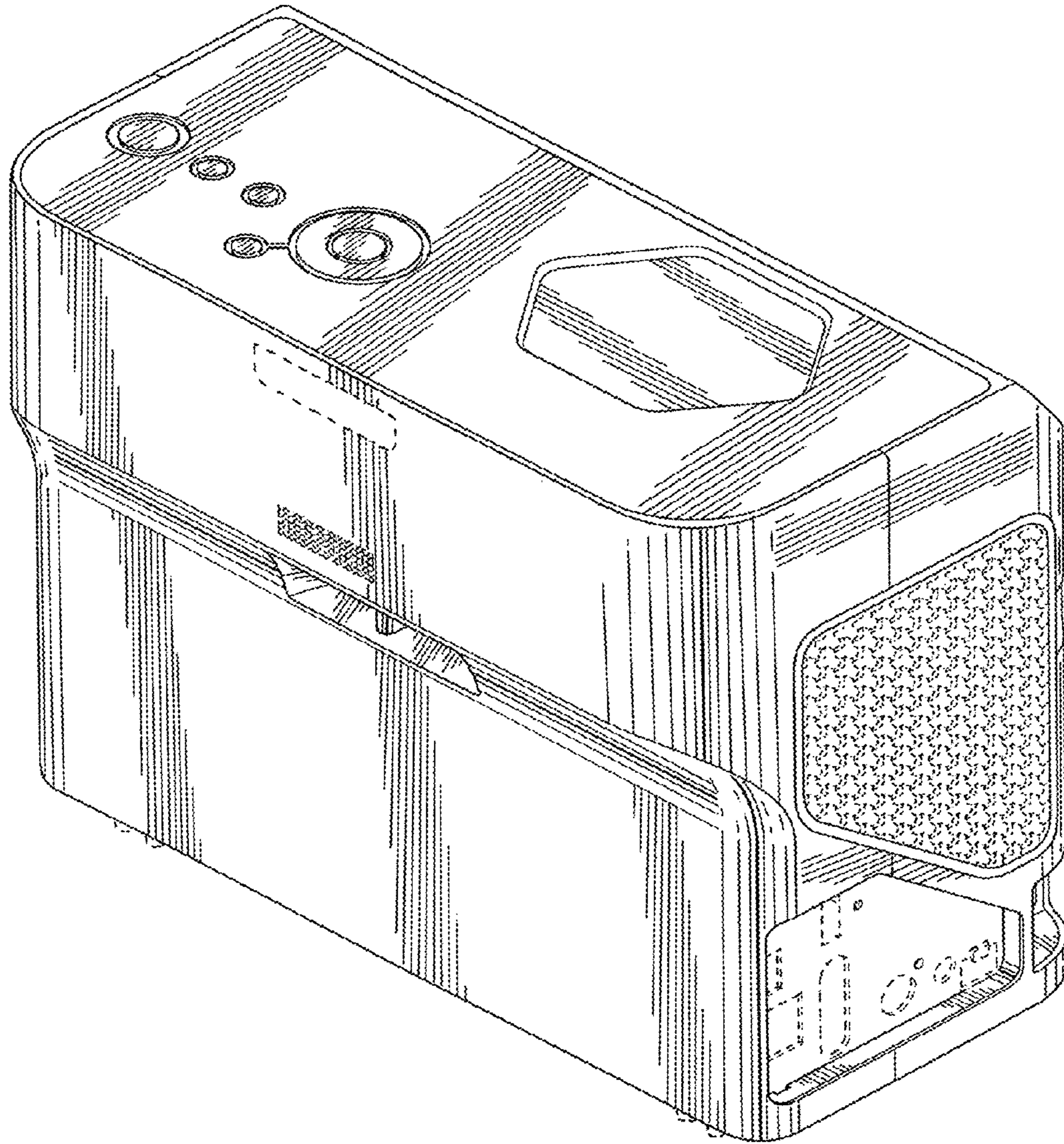


Fig. 7