



US00D680570S

(12) **United States Design Patent**
Nishimori

(10) **Patent No.:** **US D680,570 S**

(45) **Date of Patent:** **** Apr. 23, 2013**

(54) **CAMERA FOR IMAGE DETECTOR**

(75) Inventor: **Naoki Nishimori**, Kyoto (JP)

(73) Assignee: **Omron Corporation**, Kyoto (JP)

(**) Term: **14 Years**

(21) Appl. No.: **29/427,616**

(22) Filed: **Jul. 20, 2012**

(30) **Foreign Application Priority Data**

Feb. 8, 2012 (JP) D 2012-002601

(51) **LOC (9) Cl.** **16-01**

(52) **U.S. Cl.**
USPC **D16/203**

(58) **Field of Classification Search** D16/200–205,
D16/208, 218, 219, 221, 225, 230, 235, 237;
348/143, 151, 373–376; 358/906; 396/427,
396/535–541

See application file for complete search history.

(56) **References Cited**

U.S. PATENT DOCUMENTS

5,400,073	A *	3/1995	Morioka et al.	348/335
D373,593	S *	9/1996	Hiroko et al.	D16/203
D409,641	S *	5/1999	Uehara	D16/203
D426,844	S *	6/2000	Fujii	D16/203
D446,801	S *	8/2001	Adachi et al.	D16/203
D460,773	S *	7/2002	Arbuckle et al.	D16/203

D472,259	S *	3/2003	Rupe	D16/202
6,637,952	B2 *	10/2003	Arbuckle et al.	396/427
6,683,654	B1 *	1/2004	Hajjima	348/374
D531,200	S *	10/2006	Taneno et al.	D16/203
D543,568	S *	5/2007	Naruki	D16/203
D584,755	S *	1/2009	Eriksson	D16/202
D658,700	S *	5/2012	Jannard et al.	D16/237

* cited by examiner

Primary Examiner — Philip S Hyder

Assistant Examiner — Darlington Ly

(74) *Attorney, Agent, or Firm* — Harness, Dickey & Piercee, P.L.C.

(57) **CLAIM**

The ornamental design for a camera for image detector, as shown and described.

DESCRIPTION

FIG. 1 is a top, front and left side perspective view of a camera for image detector showing my new design;

FIG. 2 is a bottom, rear and right side perspective view thereof;

FIG. 3 is a front elevational view thereof;

FIG. 4 is a rear elevational view thereof;

FIG. 5 is a left side view thereof;

FIG. 6 is a right side view thereof;

FIG. 7 is a top plan view thereof; and,

FIG. 8 is a bottom plan view thereof.

The broken lines depict environmental subject matter only and form no part of the claimed design.

1 Claim, 5 Drawing Sheets

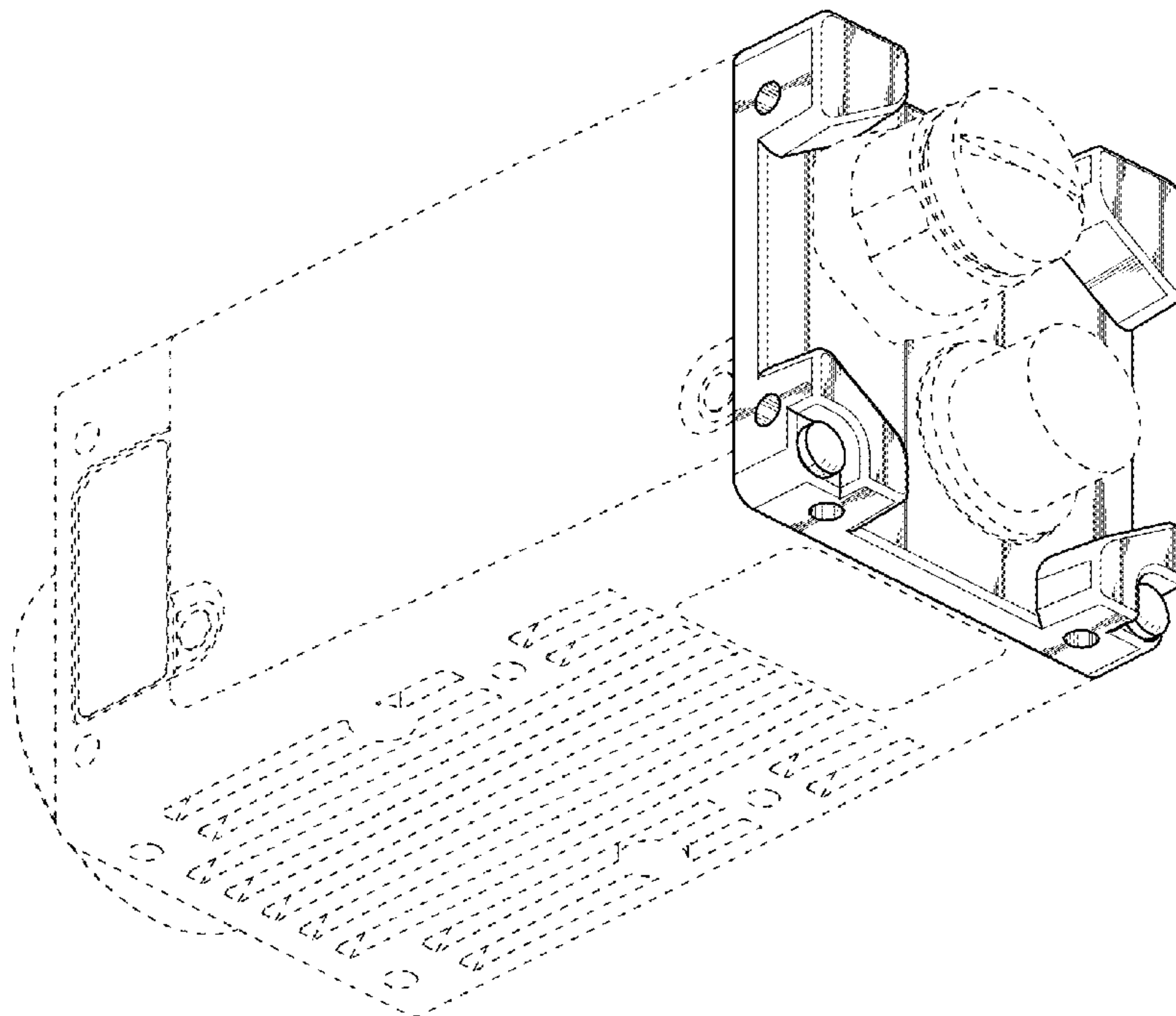


Fig. 1

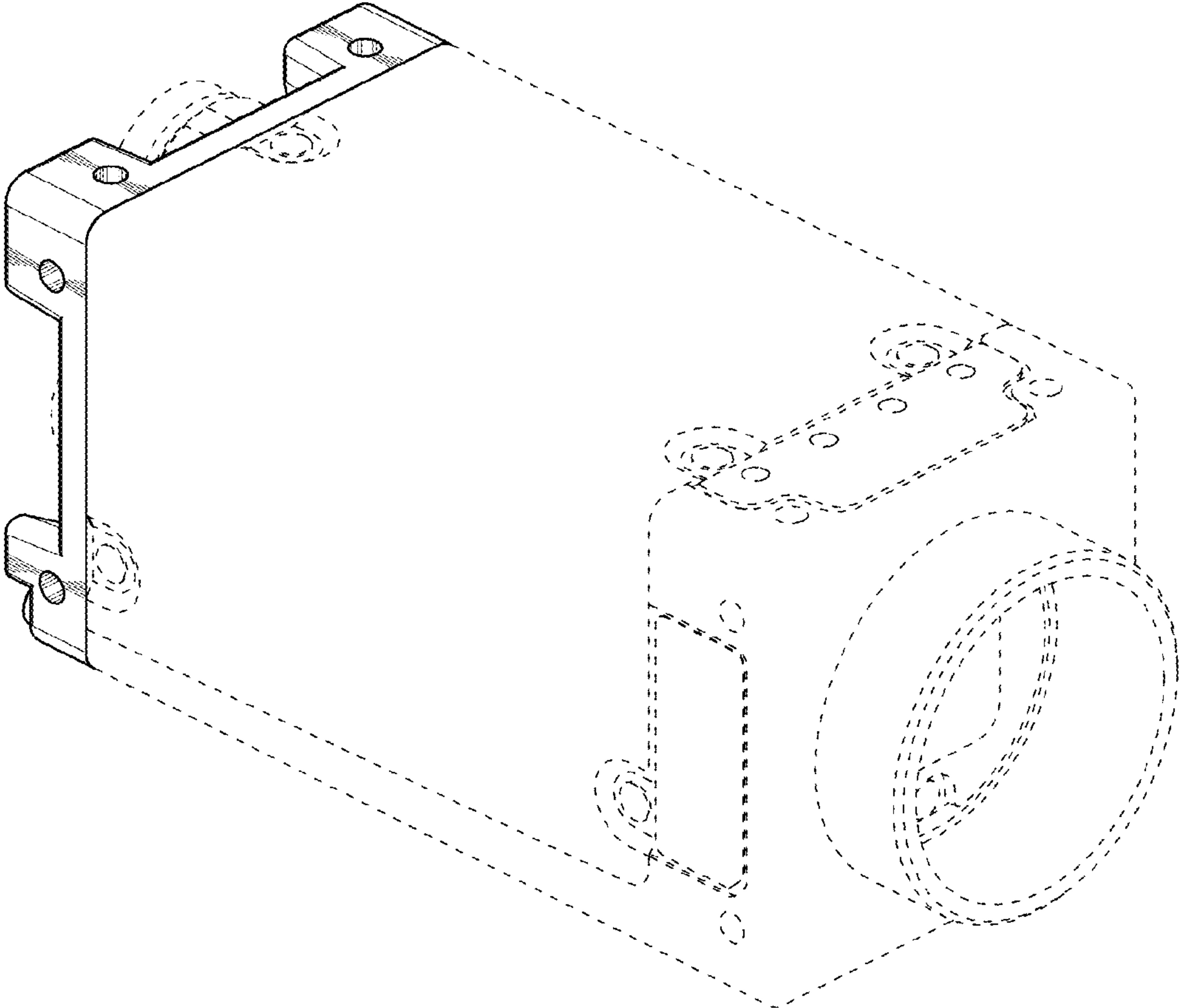


Fig. 2

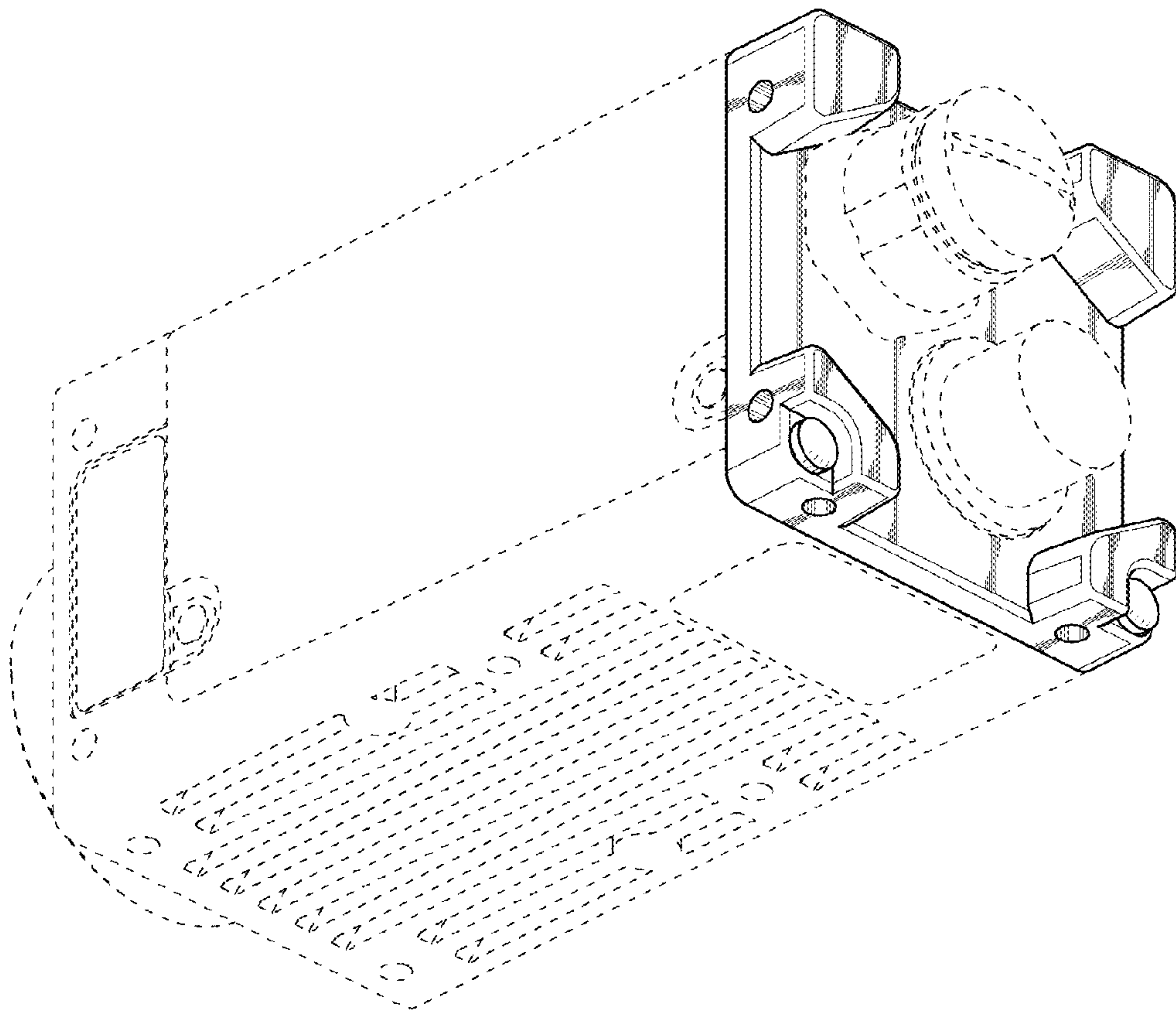


Fig. 3

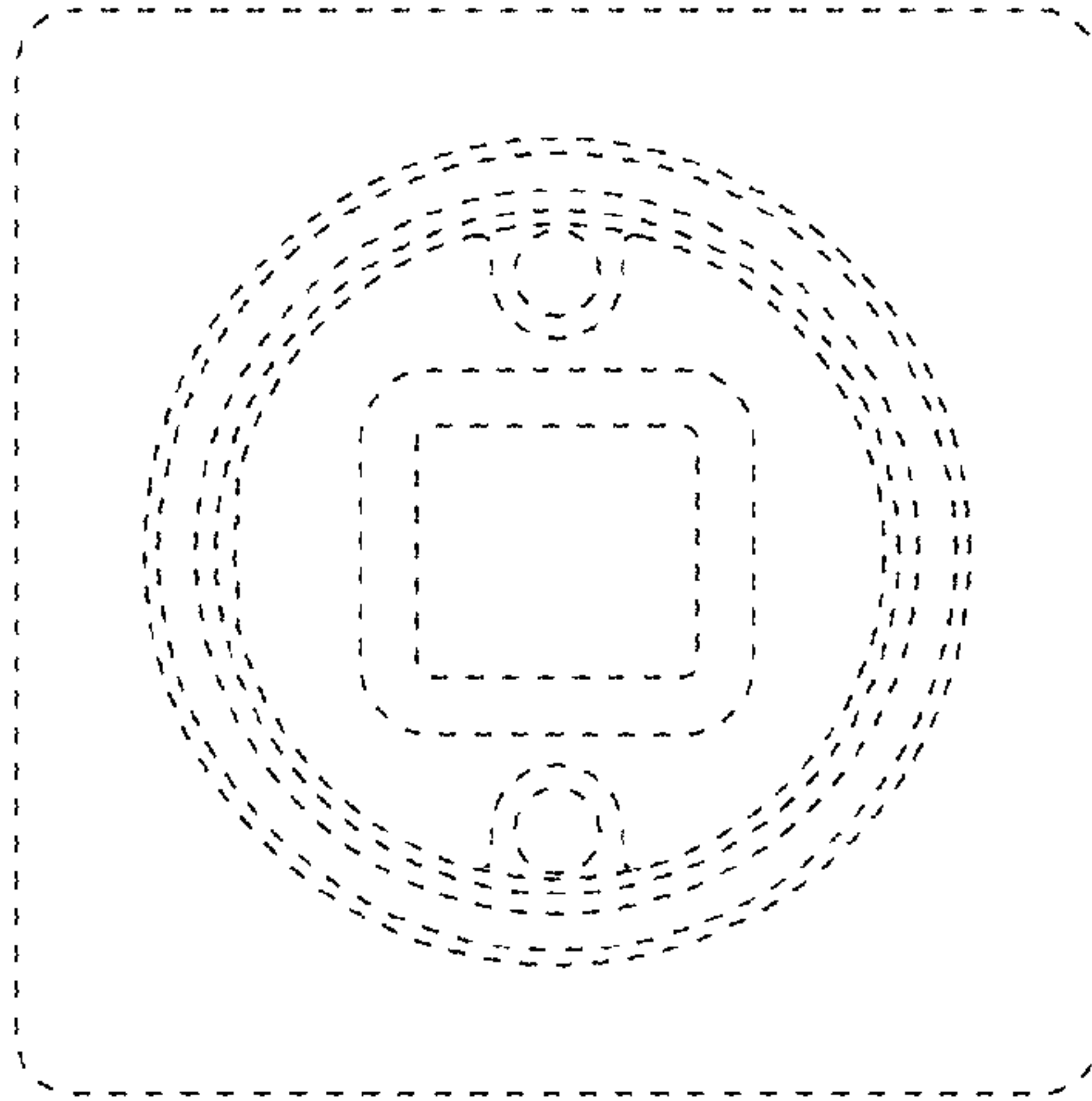


Fig. 4

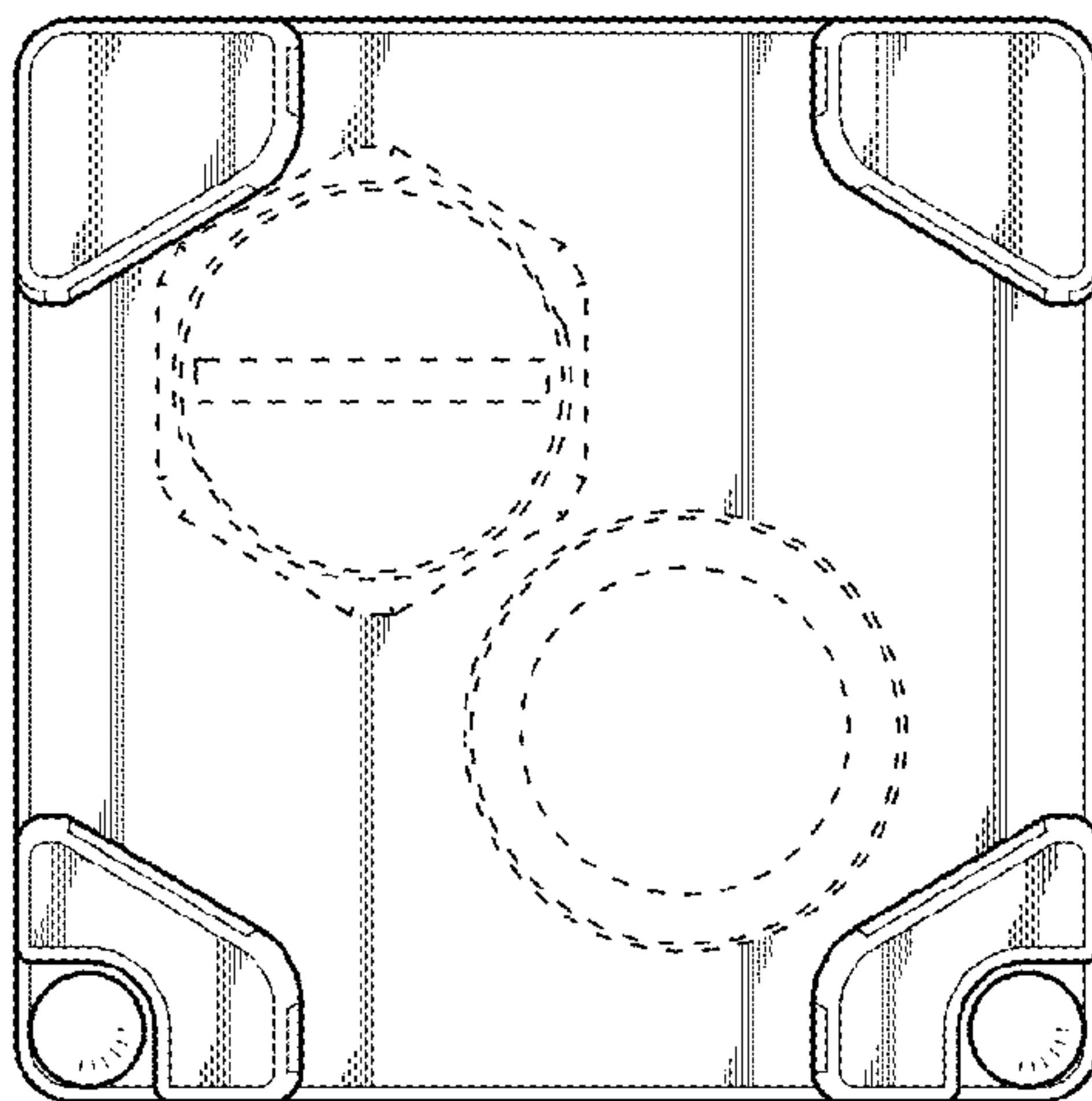


Fig. 5



Fig. 6

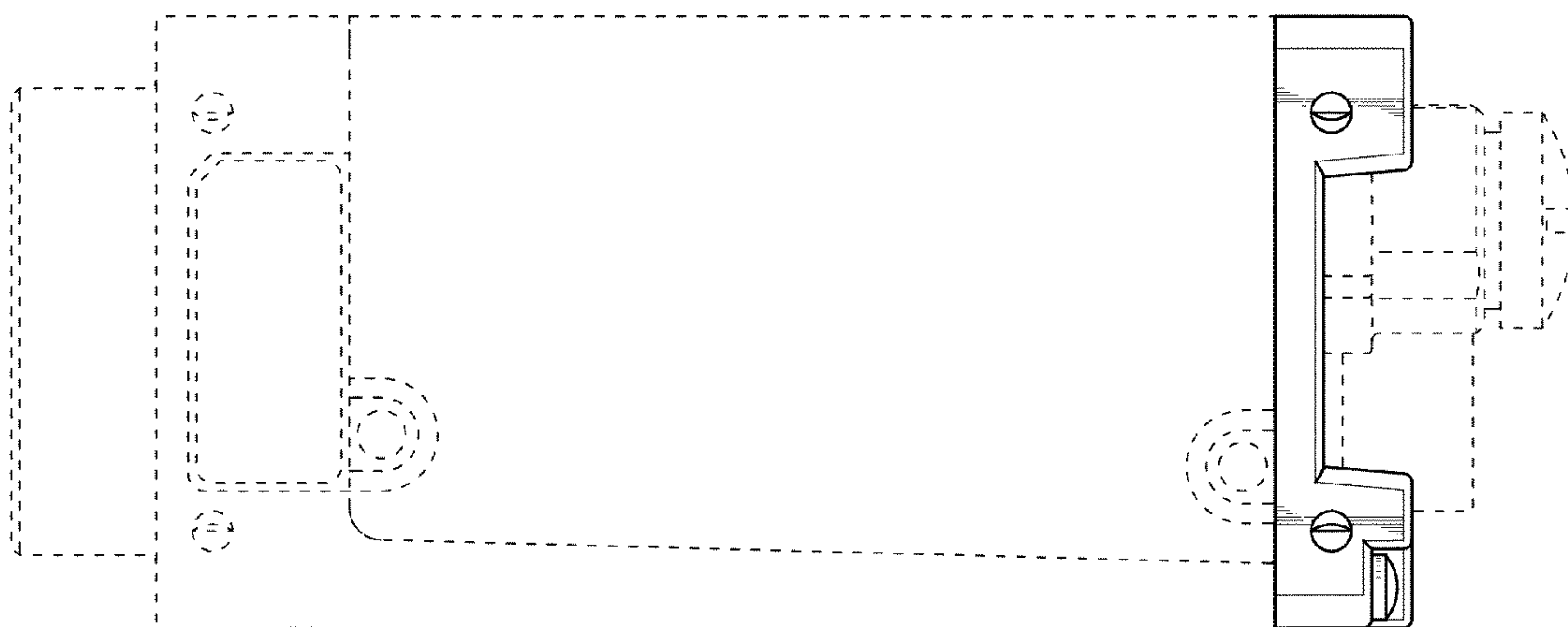


Fig. 7

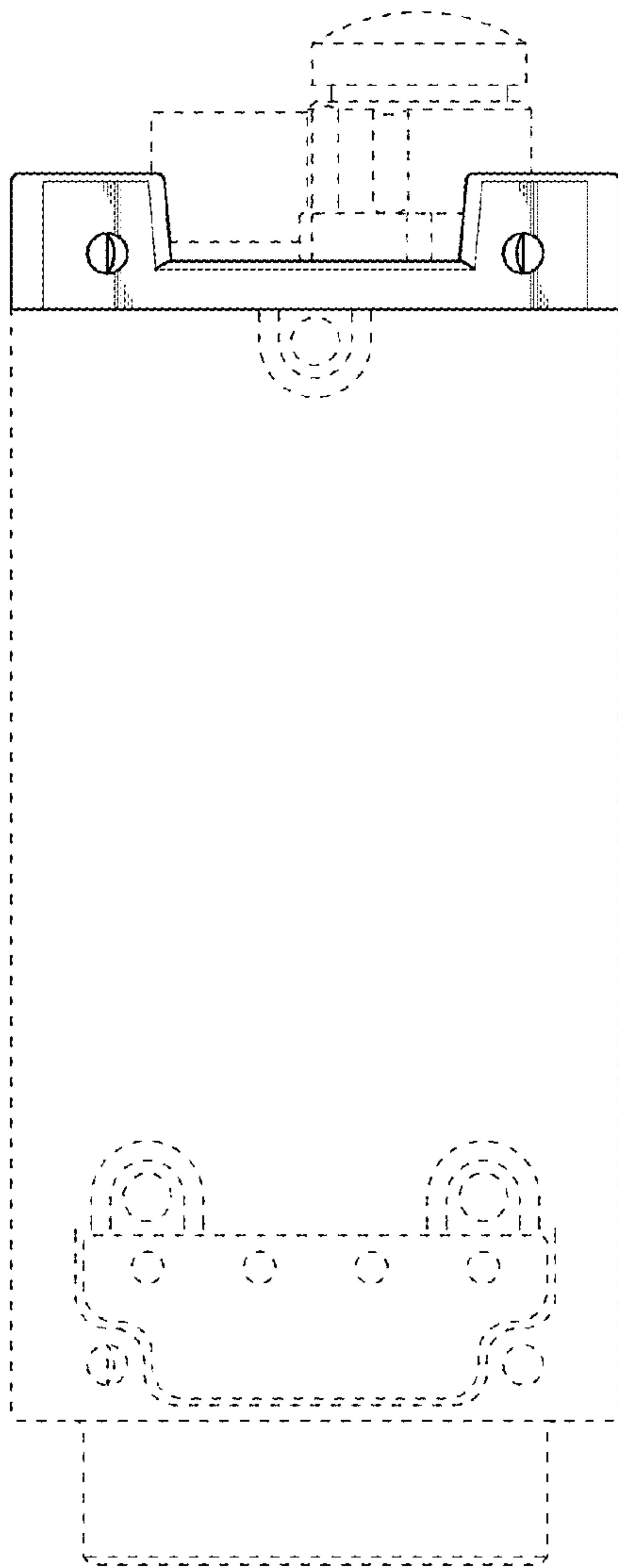


Fig. 8

