



US00D680569S

(12) **United States Design Patent**  
**Lee et al.**

(10) **Patent No.:** **US D680,569 S**  
(45) **Date of Patent:** **\*\* Apr. 23, 2013**

(54) **CAMERA FOR TELEVISION**

(75) Inventors: **Yongho Lee**, Seoul (KR); **Nari Lee**, Seoul (KR); **Yeonga Lee**, Seoul (KR)

(73) Assignee: **LG Electronics Inc.**, Seoul (KR)

(\*\*) Term: **14 Years**

(21) Appl. No.: **29/417,993**

(22) Filed: **Apr. 11, 2012**

(30) **Foreign Application Priority Data**

Oct. 27, 2011 (KR) ..... 30-2011-0045121

(51) **LOC (9) Cl.** ..... **16-01**

(52) **U.S. Cl.**  
USPC ..... **D16/202; D16/242**

(58) **Field of Classification Search** ..... D16/200,  
D16/202, 203, 208, 218, 242; 248/187.1;  
348/373-375; 396/419, 535, 540, 541  
See application file for complete search history.

(56) **References Cited**

**U.S. PATENT DOCUMENTS**

D600,730 S \* 9/2009 Su ..... D16/202  
D629,031 S \* 12/2010 Su et al. .... D16/202  
D641,388 S \* 7/2011 Shih et al. .... D16/202  
D662,532 S \* 6/2012 Chang ..... D16/202

D664,579 S \* 7/2012 Tzeng ..... D16/202  
D665,441 S \* 8/2012 McManigal ..... D16/218  
D675,660 S \* 2/2013 Su ..... D16/202

\* cited by examiner

*Primary Examiner* — Adir Aronovich

(74) *Attorney, Agent, or Firm* — Morgan, Lewis & Bockius LLP

(57) **CLAIM**

The ornamental design for a camera for television, as shown and described.

**DESCRIPTION**

FIG. 1 is a bottom perspective view of a camera for television showing our new design;  
FIG. 2 is a front elevational view thereof;  
FIG. 3 is a rear elevational view thereof;  
FIG. 4 is a left side elevational view thereof;  
FIG. 5 is a right side elevational view thereof;  
FIG. 6 is a top plan view thereof;  
FIG. 7 is a bottom plan view thereof;  
FIG. 8 is a reduced perspective view thereof showing the camera in use; and,  
FIG. 9 is a right side elevational view of FIG. 8.  
The broken lines shown in FIG. 8 and FIG. 9 are for illustrative purposes only and form no part of the claimed design.

**1 Claim, 8 Drawing Sheets**

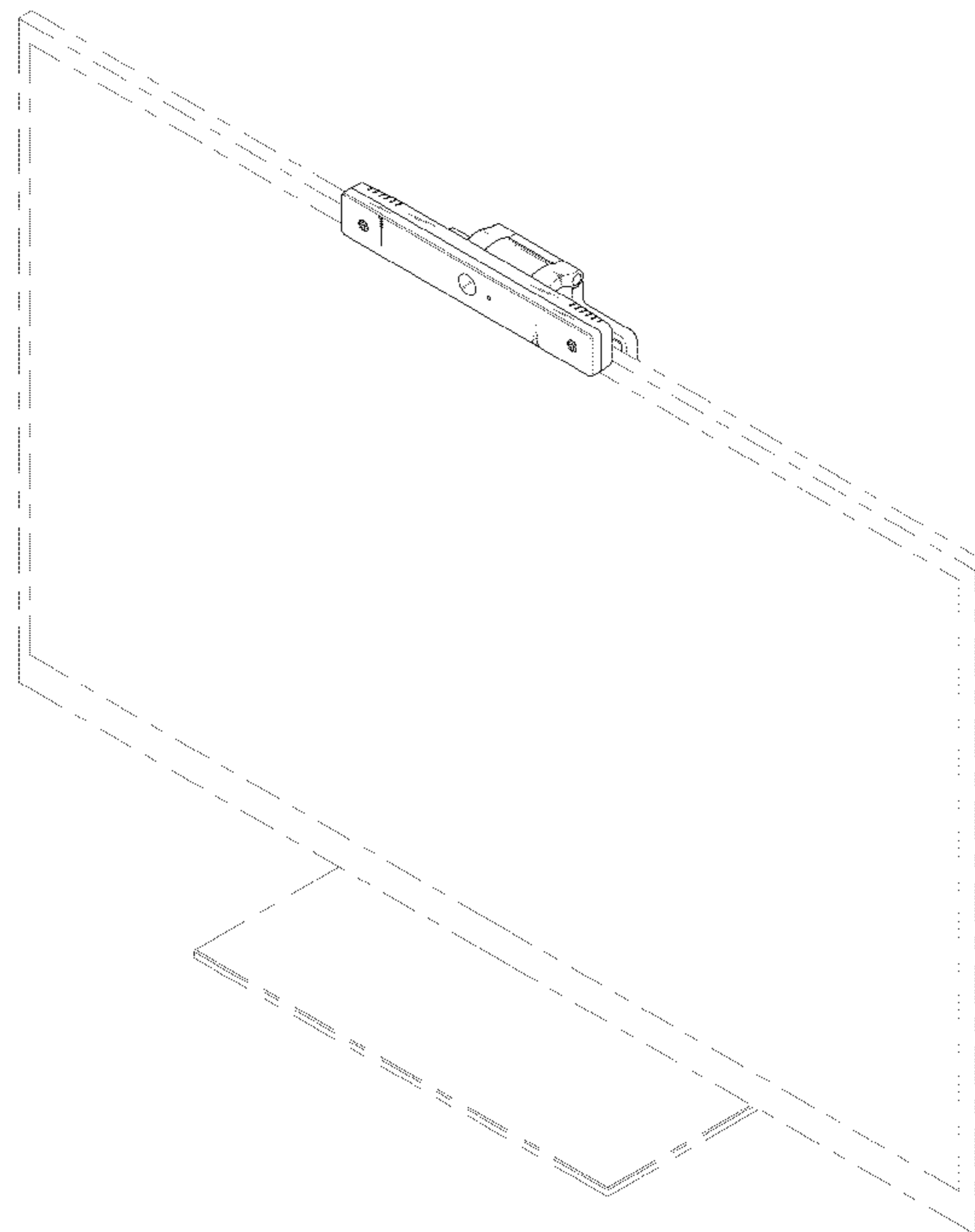
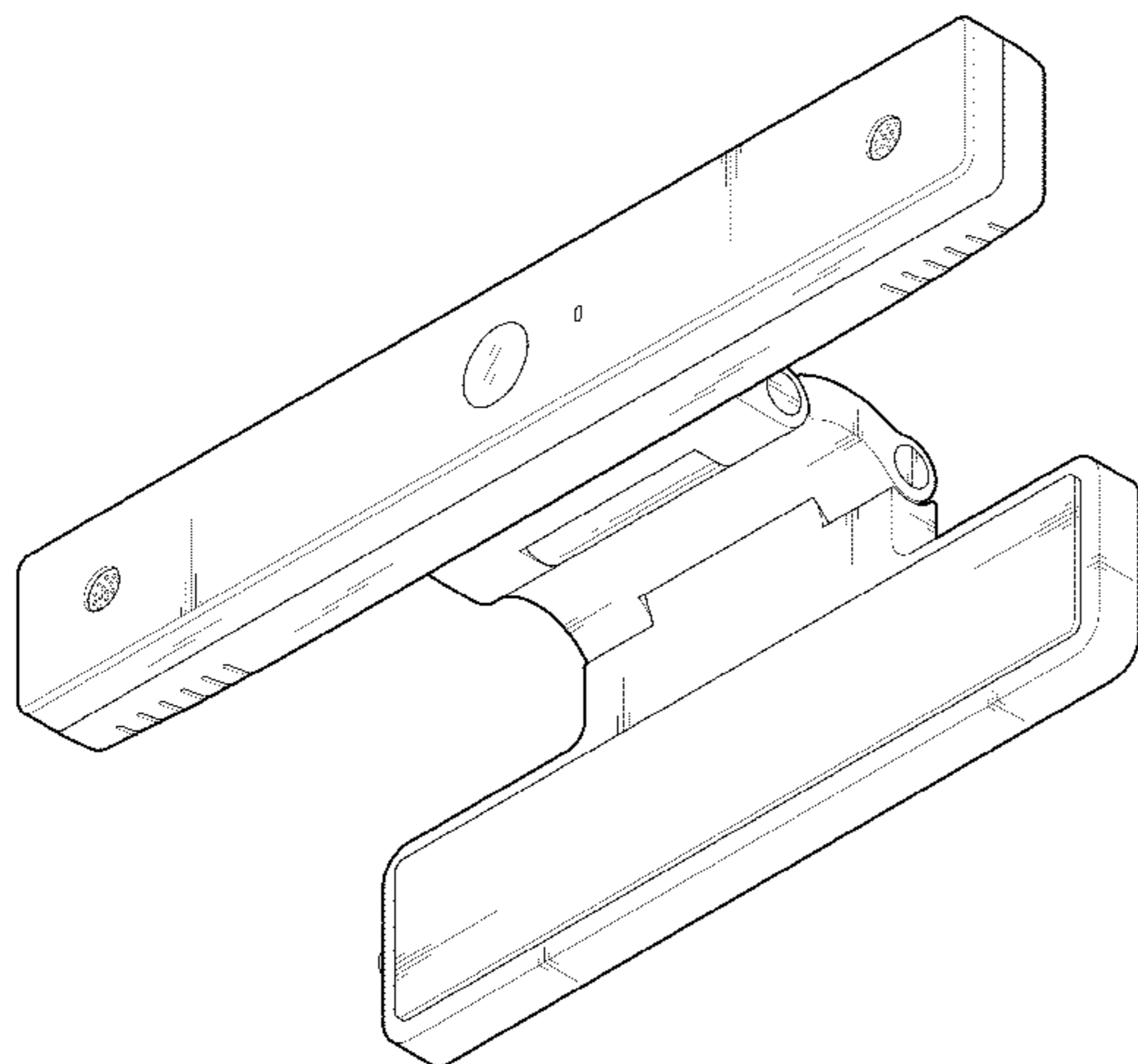


FIG. 1

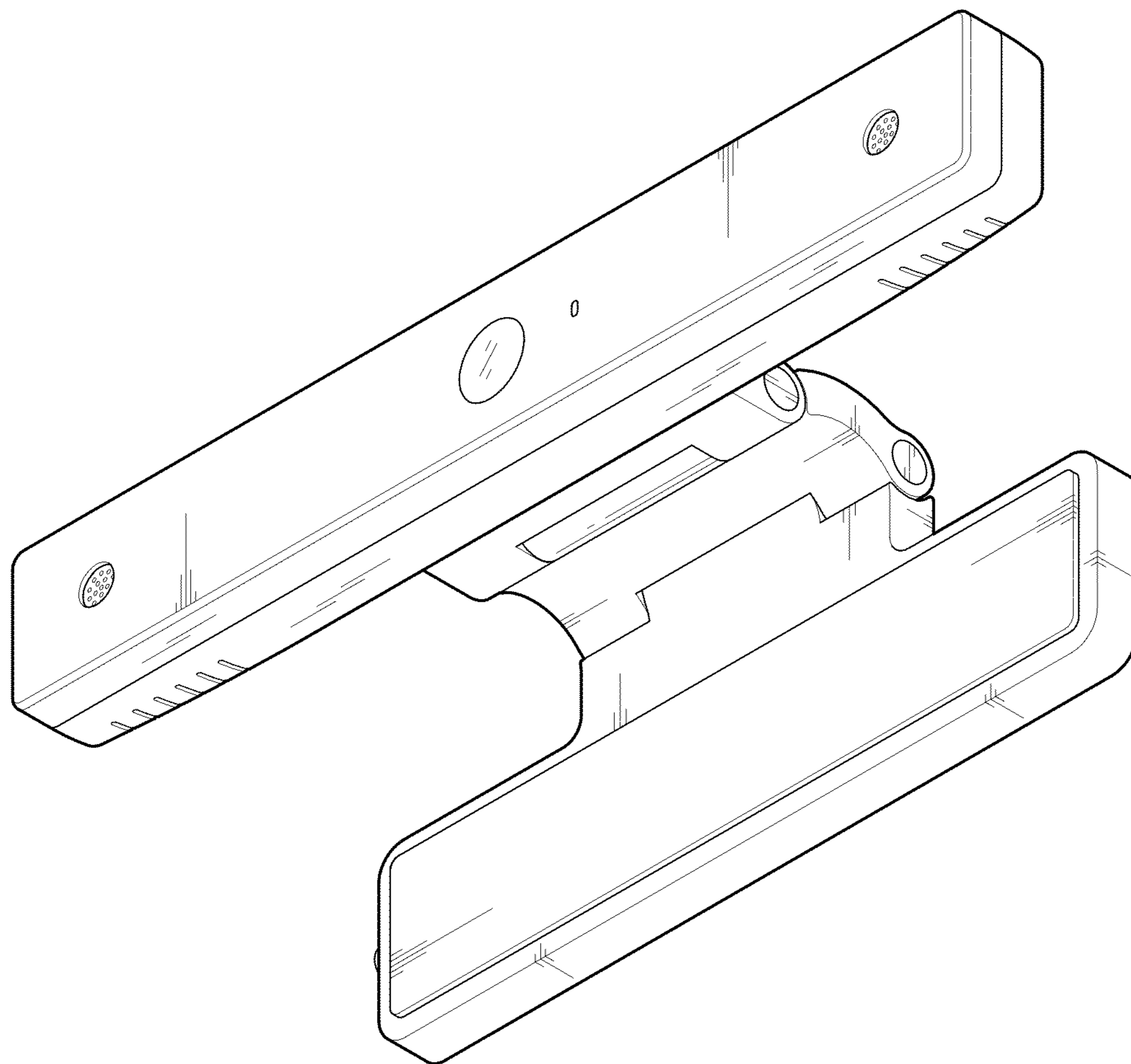


FIG. 2

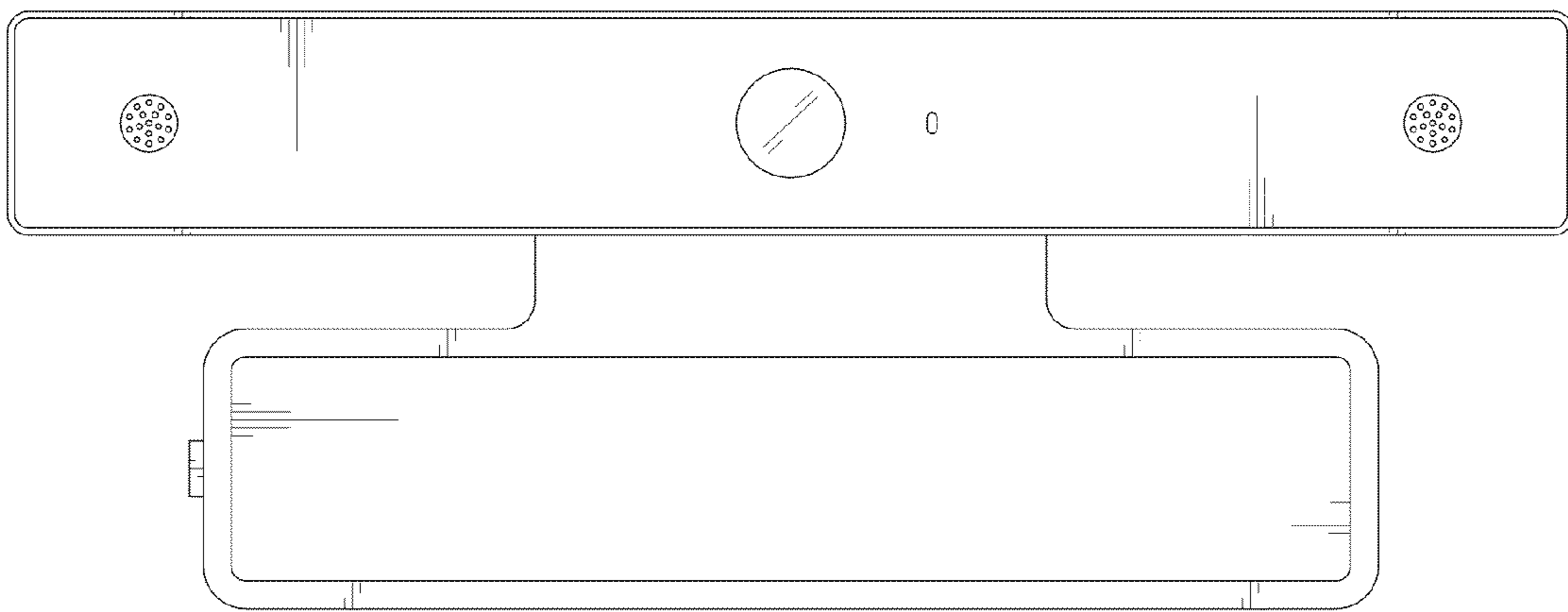


FIG. 3

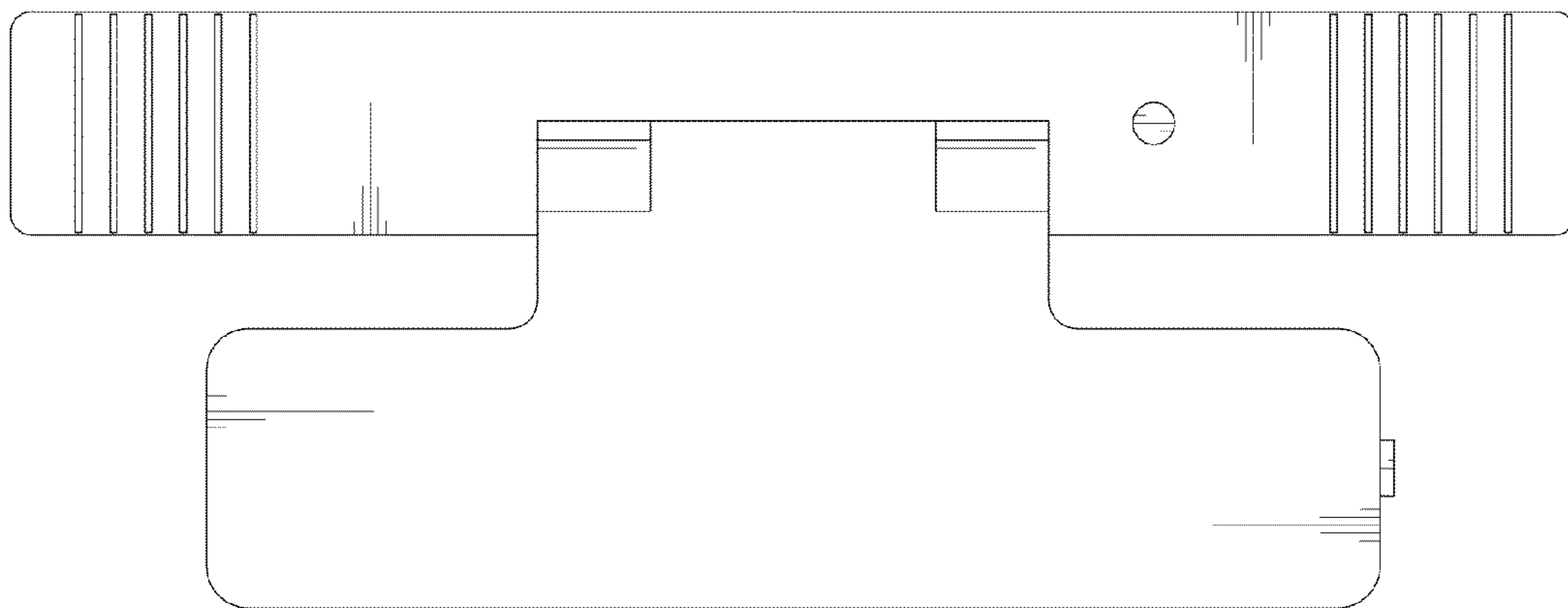


FIG. 4

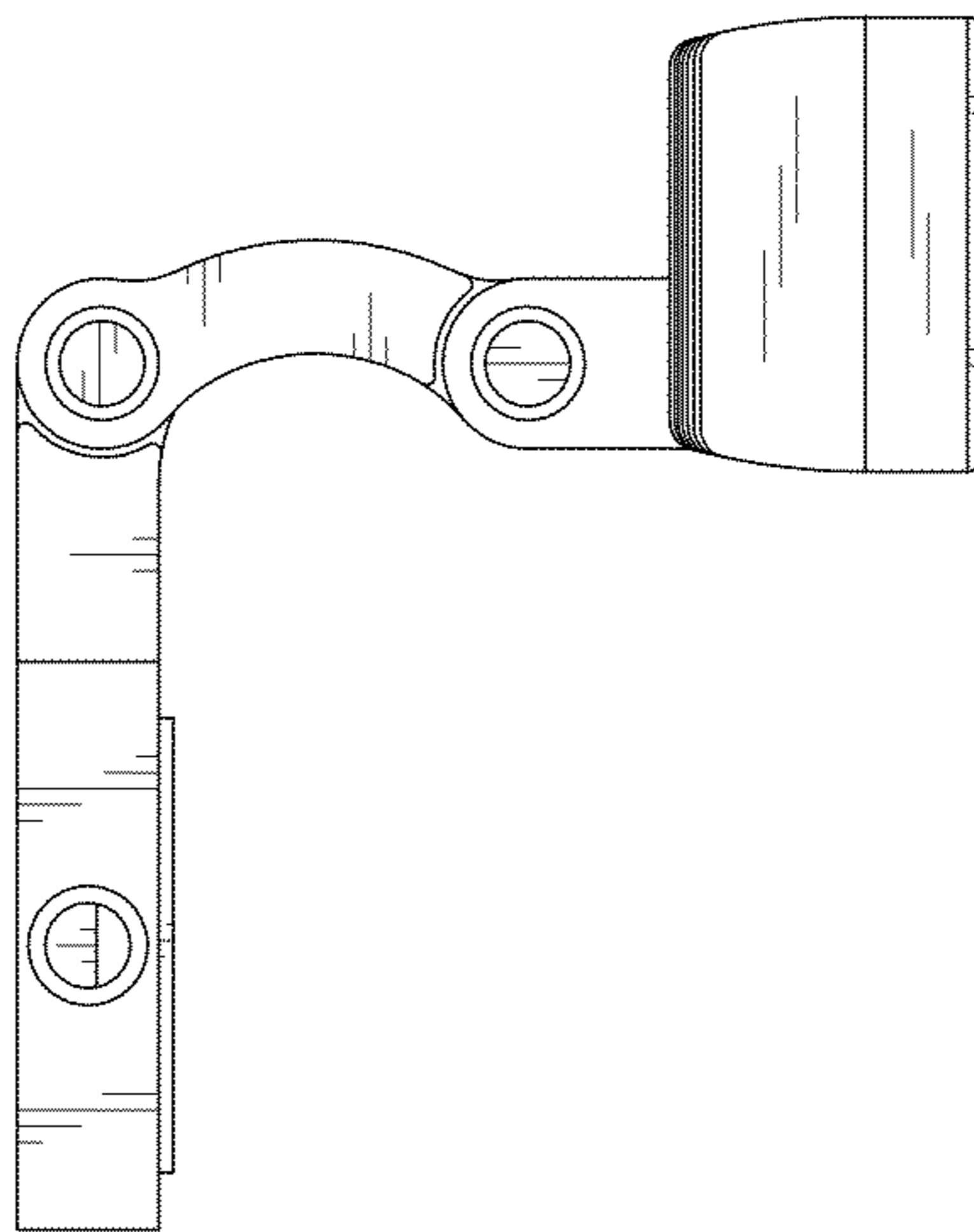


FIG. 5

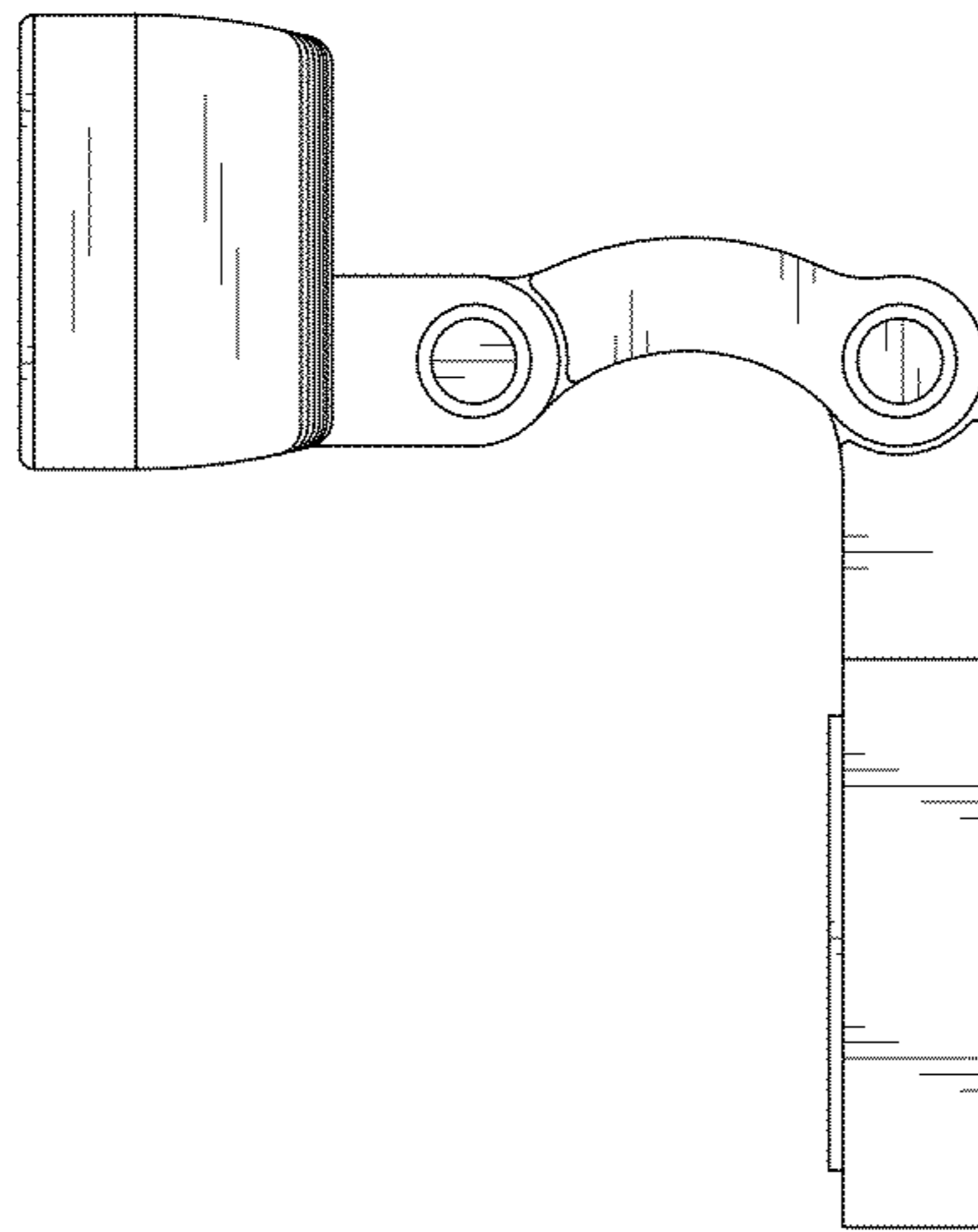


FIG. 6

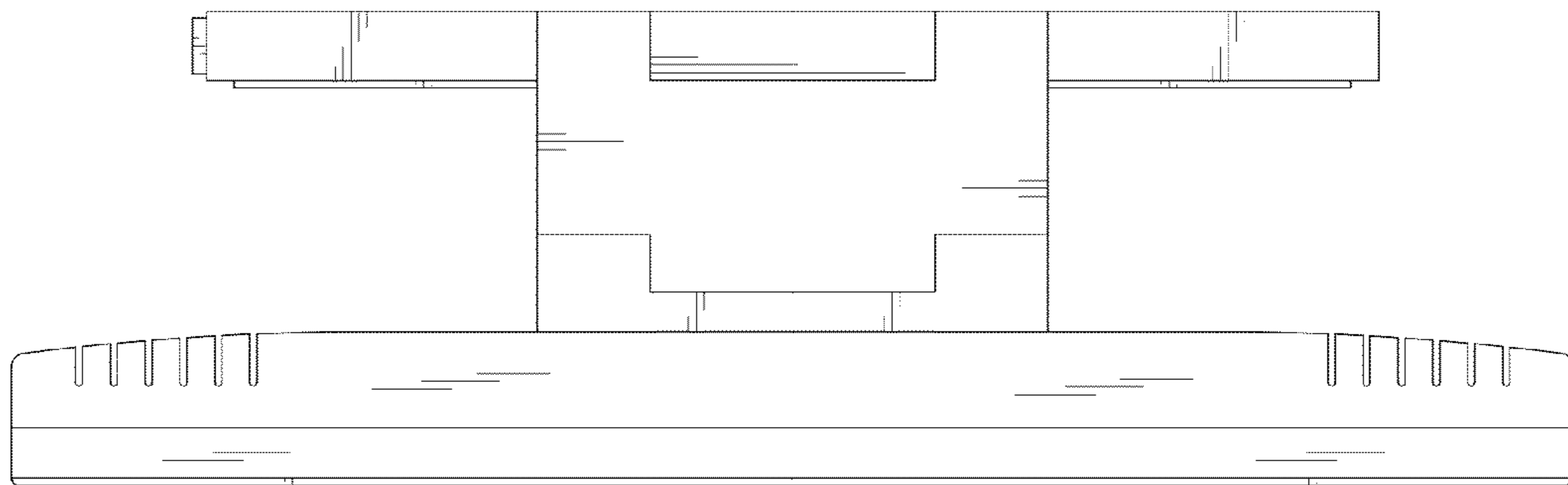


FIG. 7

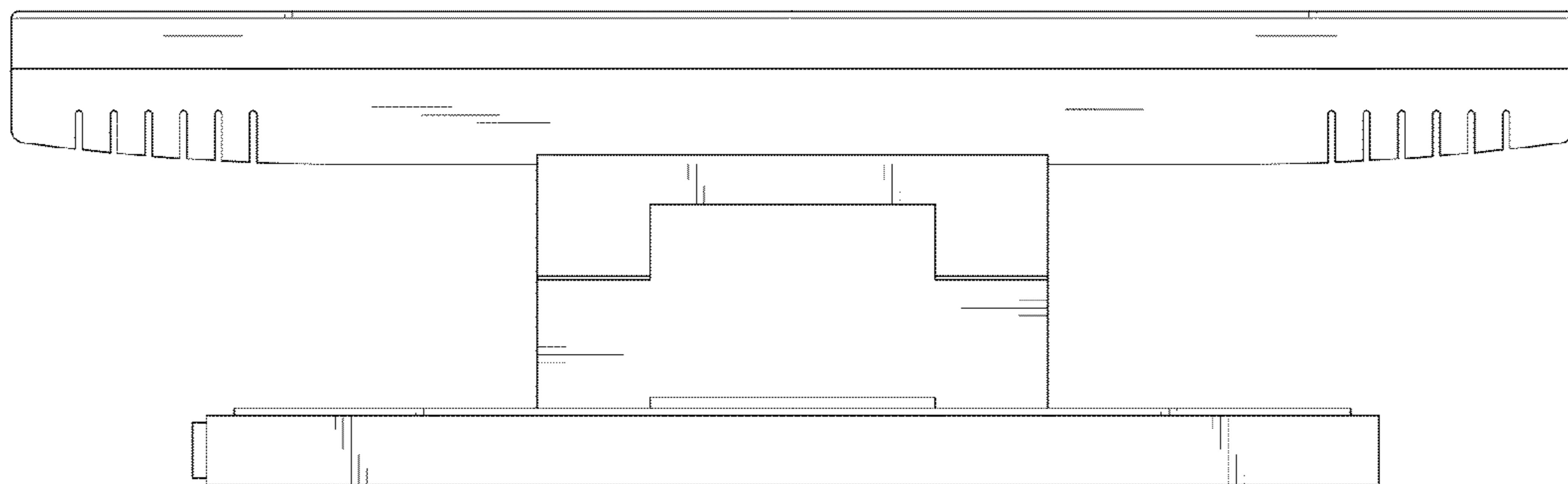


FIG. 8

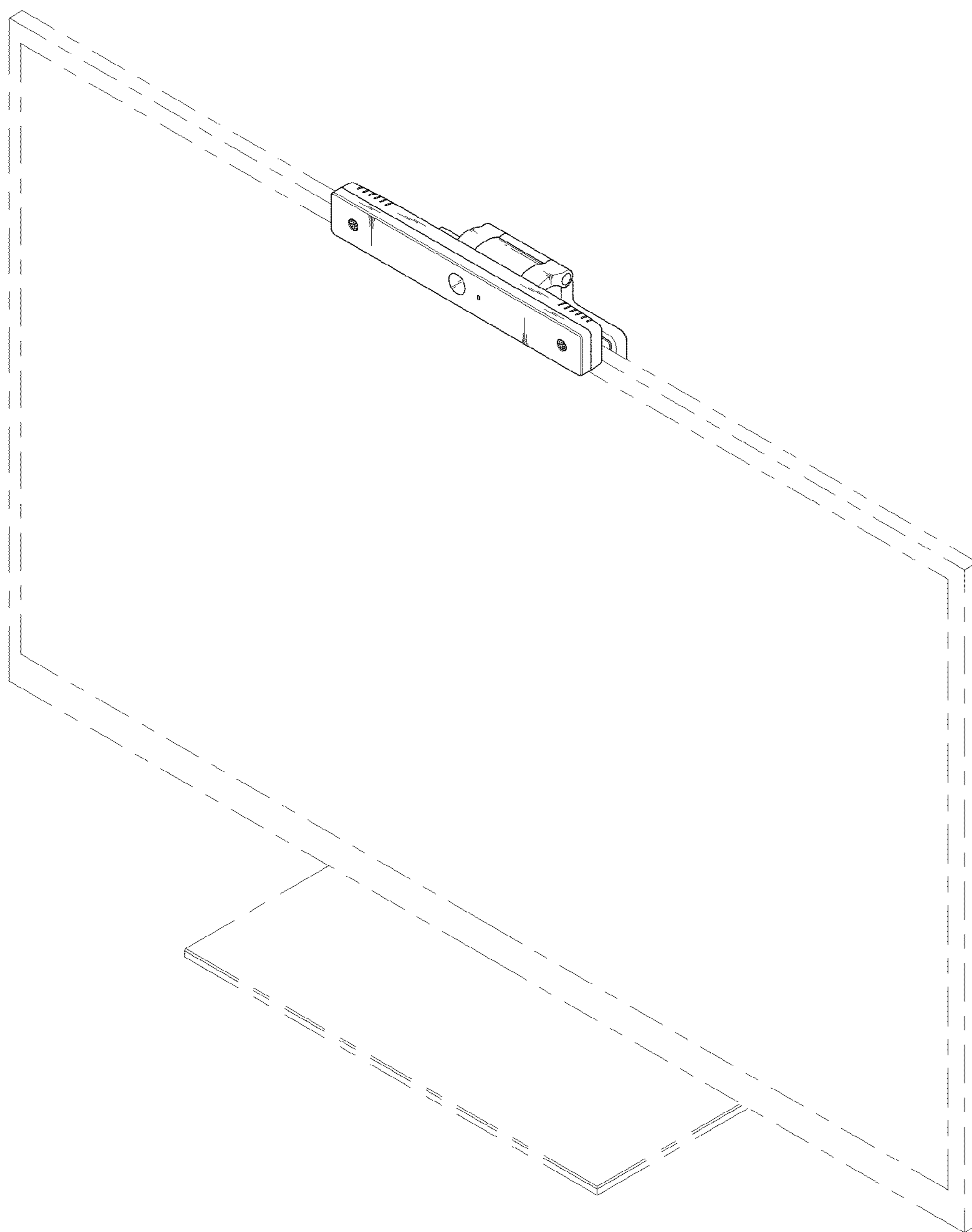




FIG. 9

