



US00D680567S

(12) **United States Design Patent**
Funakoshi et al.

(10) **Patent No.:** **US D680,567 S**

(45) **Date of Patent:** **** Apr. 23, 2013**

(54) **MICROSCOPE**

(75) Inventors: **Yasuo Funakoshi**, Hachioji (JP); **Kenji Tajima**, Hachioji (JP); **Reisuke Osada**, Hachioji (JP)

(73) Assignee: **Olympus Corporation**, Tokyo (JP)

(**) Term: **14 Years**

(21) Appl. No.: **29/416,682**

(22) Filed: **Mar. 26, 2012**

(30) **Foreign Application Priority Data**

Sep. 27, 2011 (JP) 2011-022073

(51) **LOC (9) Cl.** **16-01**

(52) **U.S. Cl.**
USPC **D16/131**

(58) **Field of Classification Search** D16/130,
D16/131, 136; D24/232; 359/382, 383,
359/385, 390, 391, 392, 393, 800, 801, 368,
359/369, 370, 371, 372, 373, 374

See application file for complete search history.

(56) **References Cited**

U.S. PATENT DOCUMENTS

2,635,504	A *	4/1953	Hawkins	359/804
2,971,080	A *	2/1961	Boughton	362/449
3,170,259	A *	2/1965	Frye	40/367
D241,741	S *	10/1976	Armbruster	D16/131
4,737,016	A *	4/1988	Russell et al.	359/801
D369,611	S *	5/1996	Hasegawa	D16/131
6,034,826	A *	3/2000	Helmecke	359/798
6,741,391	B1 *	5/2004	Ishihara et al.	359/372
6,791,600	B1 *	9/2004	Chan	348/63
7,221,402	B2 *	5/2007	Cheng	348/375

7,321,462	B2 *	1/2008	Yamamoto	359/390
D569,526	S *	5/2008	Duffy et al.	D24/232
D575,809	S *	8/2008	Hebiishi	D16/131
D595,327	S *	6/2009	Okada et al.	D16/131
D626,162	S *	10/2010	Suzuki et al.	D16/131
D663,338	S *	7/2012	Okamoto et al.	D16/131
D668,669	S *	10/2012	Vance et al.	D14/487

* cited by examiner

Primary Examiner — Paula Greene

(74) *Attorney, Agent, or Firm* — Holtz, Holtz, Goodman & Chick, P.C.

(57) **CLAIM**

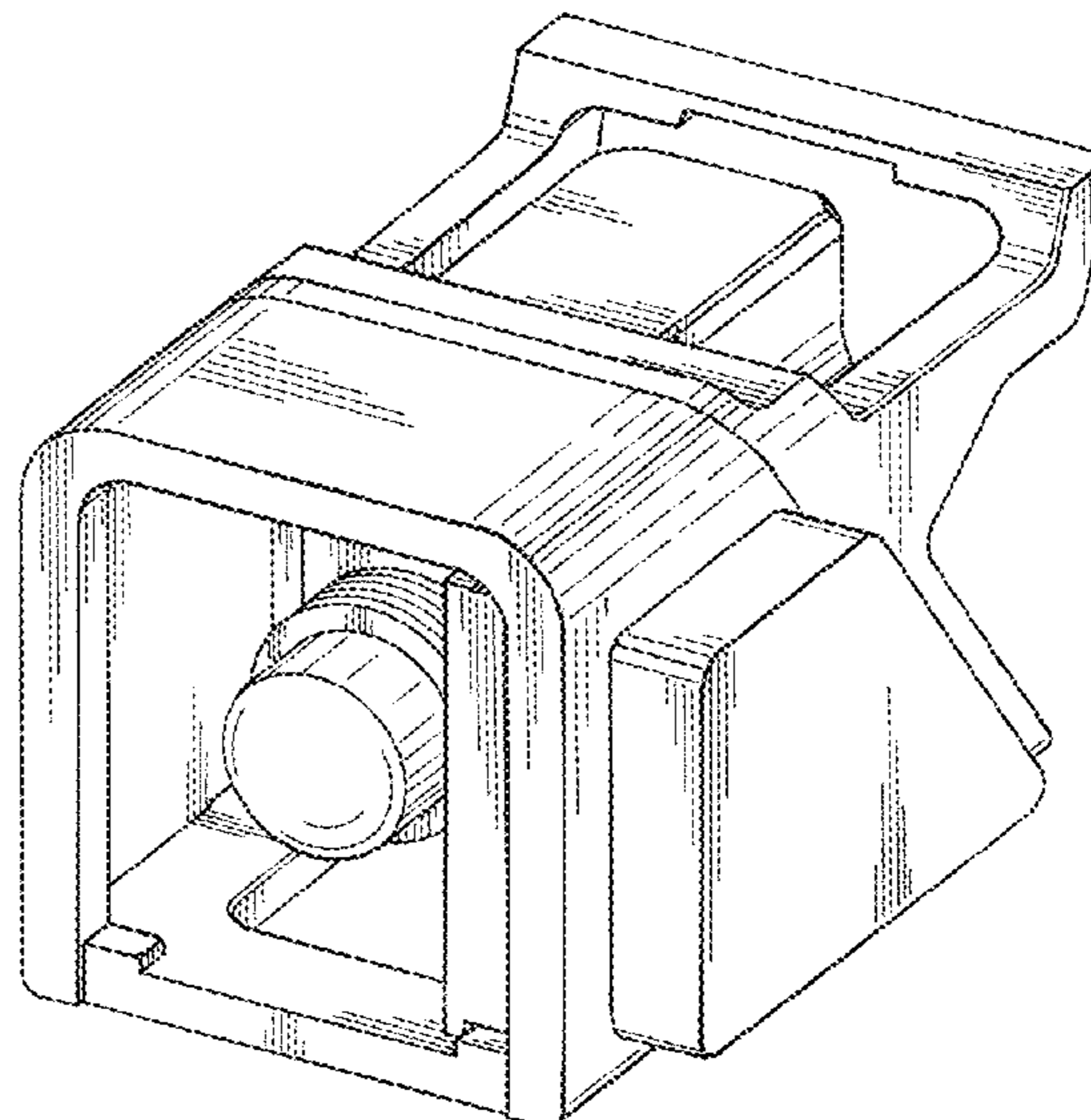
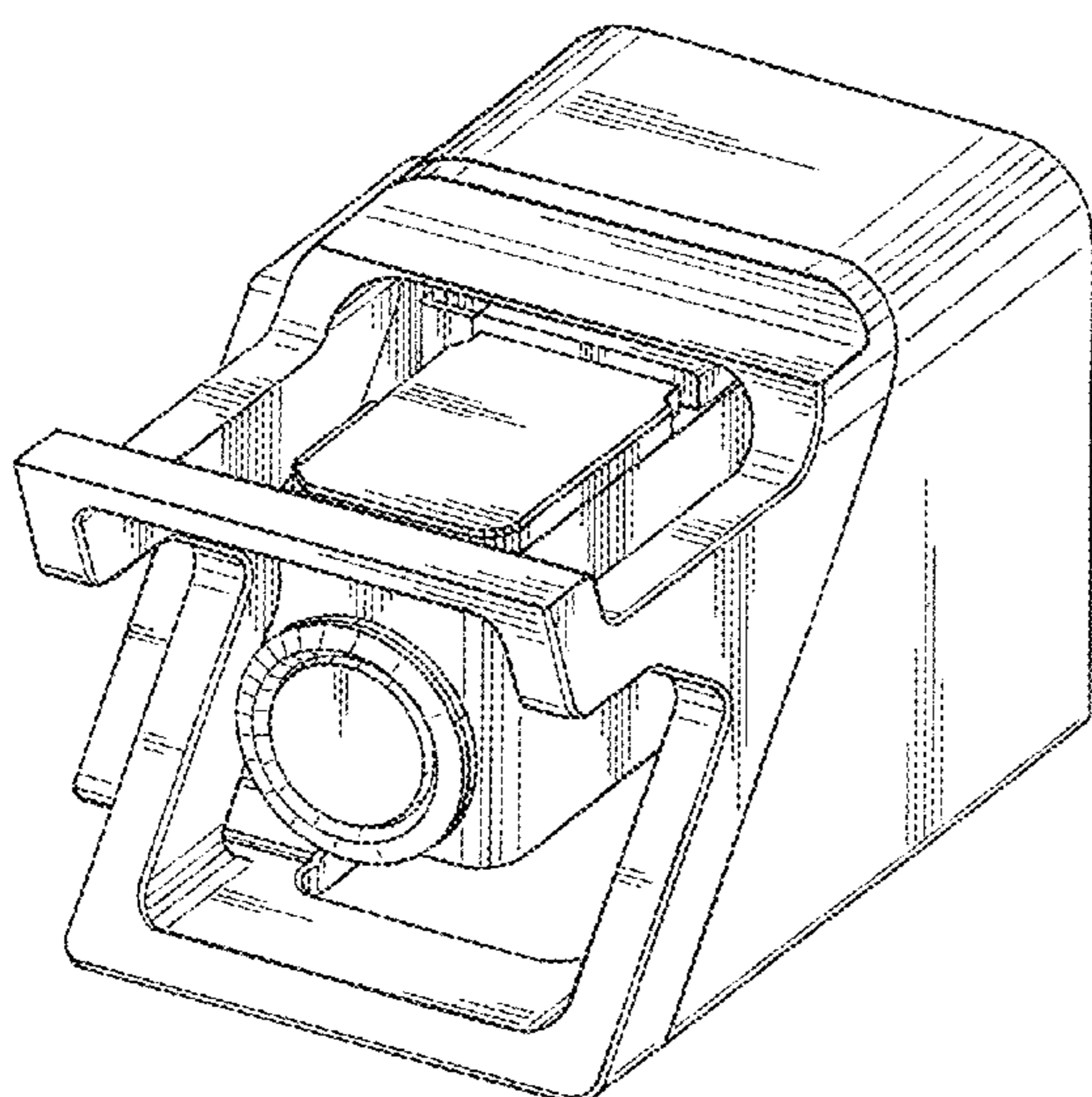
The ornamental design for a microscope, as shown and described.

DESCRIPTION

FIG. 1 is a front, top and left side perspective view of a microscope showing our new design; FIG. 2 is a rear, top and right side perspective view thereof; FIG. 3 is a front elevational view thereof; FIG. 4 is a rear elevational view thereof; FIG. 5 is a right side view thereof; FIG. 6 is a left side view thereof; FIG. 7 is a top plan view thereof; FIG. 8 is a bottom plan view thereof; FIG. 9 is a front, top and left side perspective view thereof, showing a state with an objective lens attached thereto; and, FIG. 10 is a front, top and left side perspective view thereof, showing a state of use.

The portions of the drawings shown in broken lines are for illustrative purposes only and form no part of the claimed design.

1 Claim, 10 Drawing Sheets



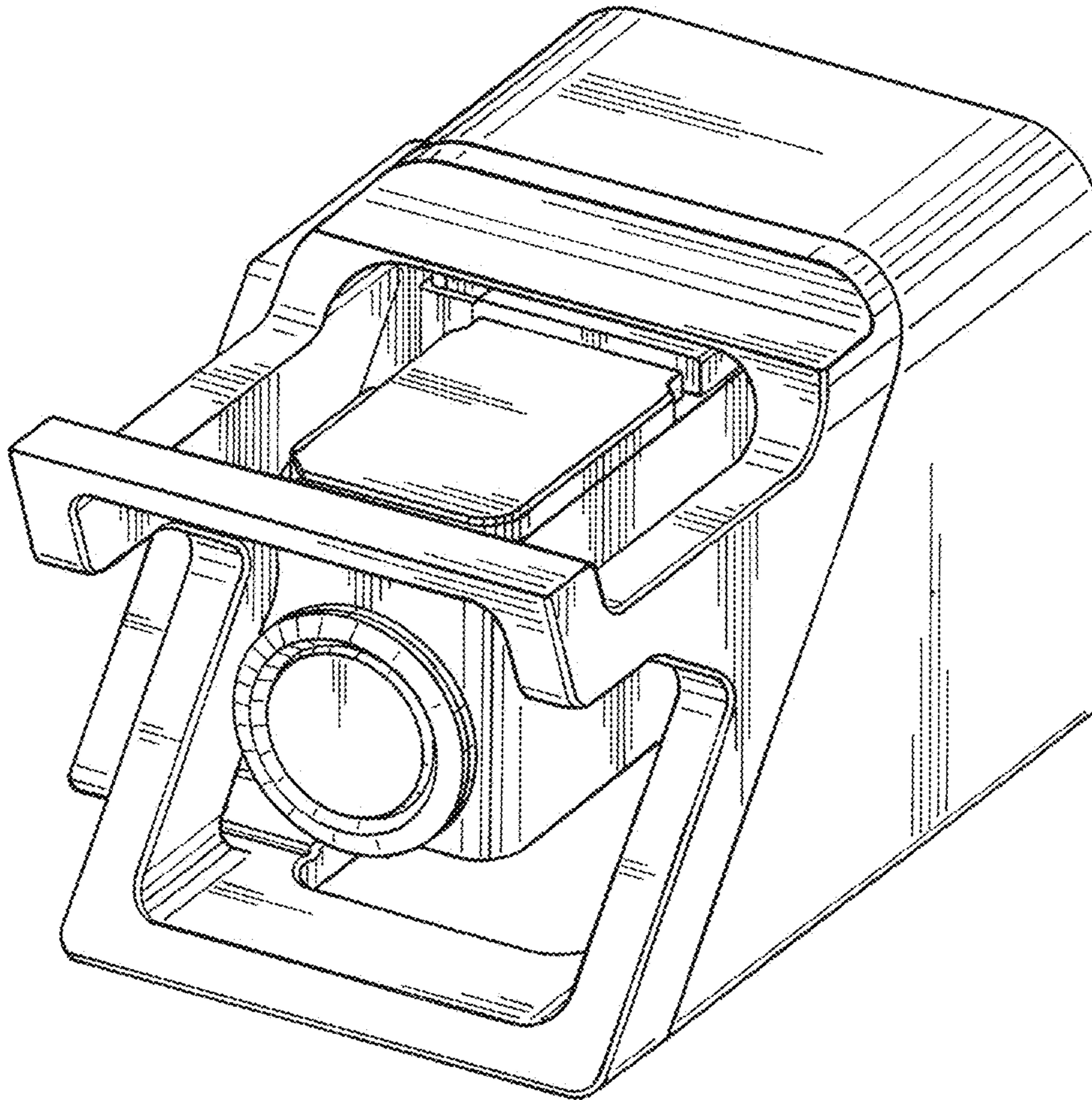


Fig. 1

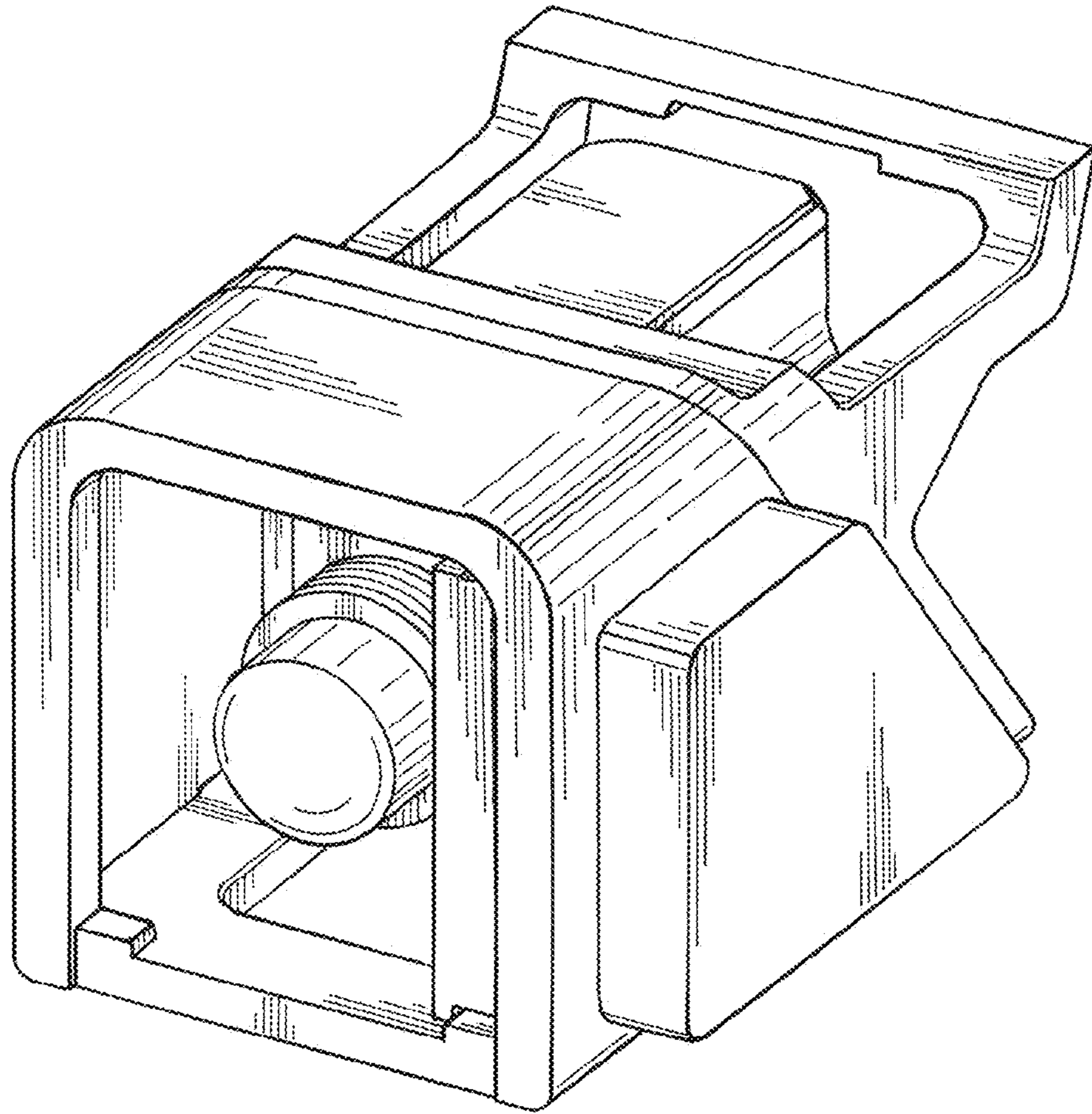


Fig. 2

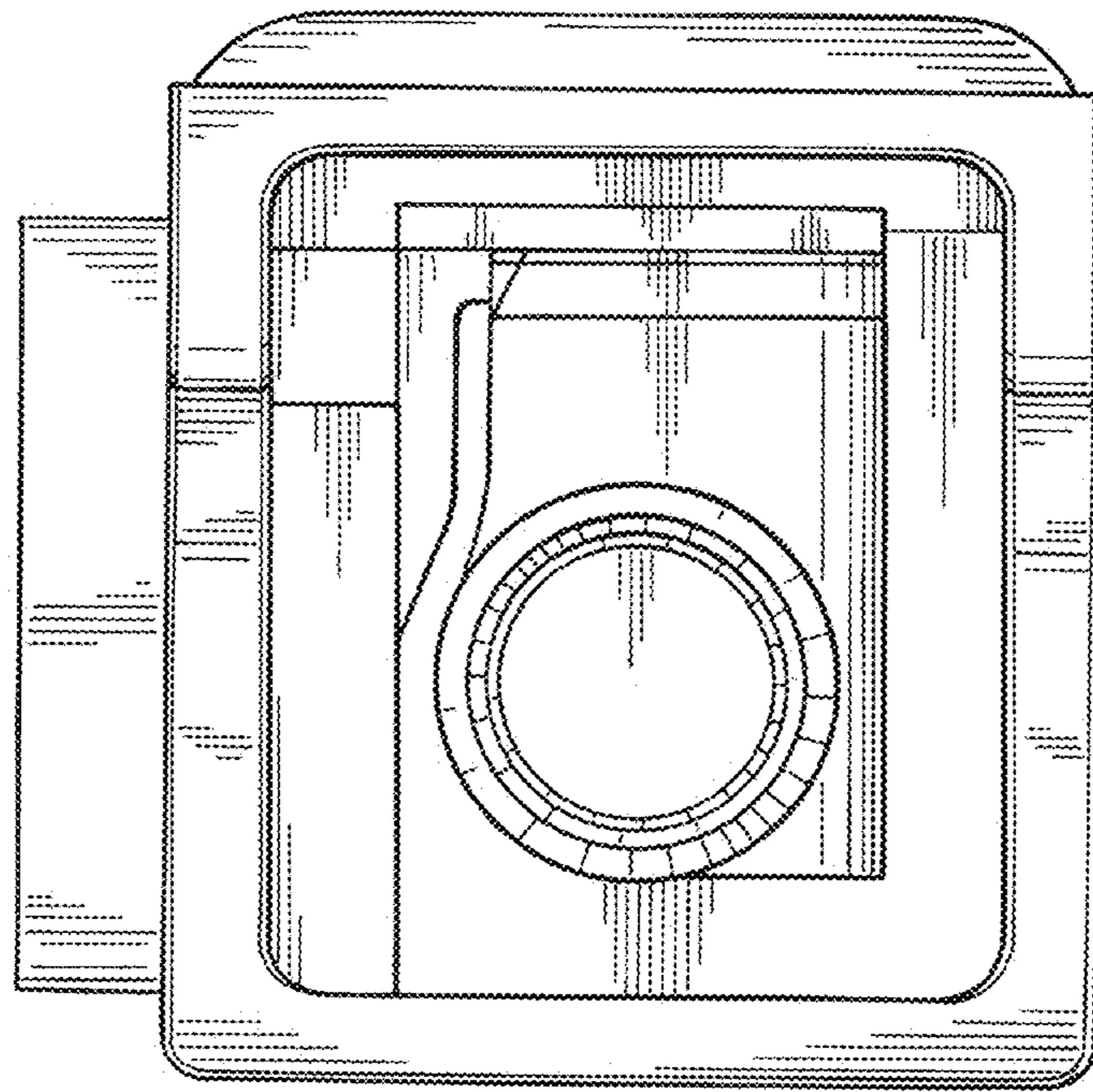


Fig. 3

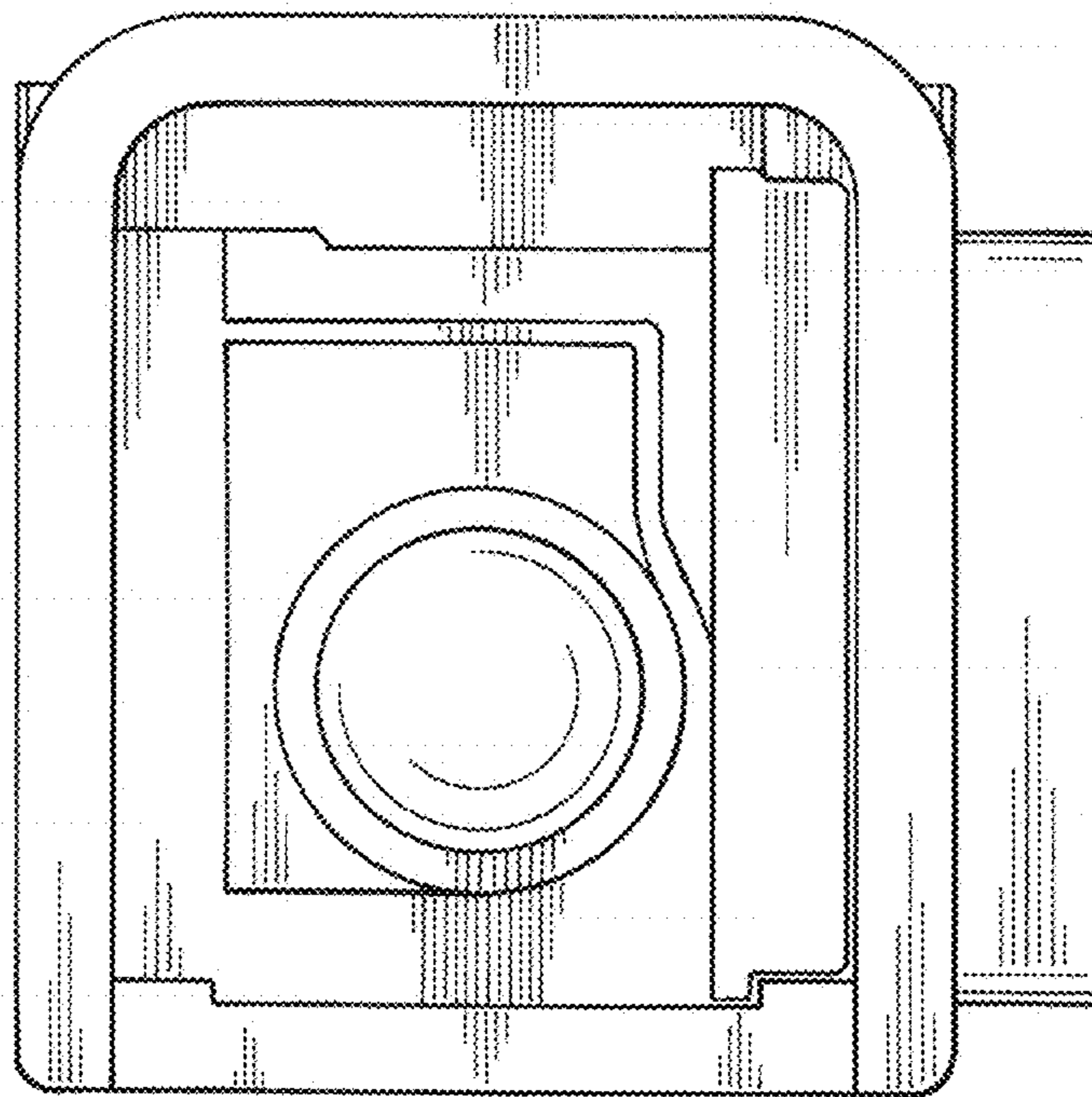


Fig. 4

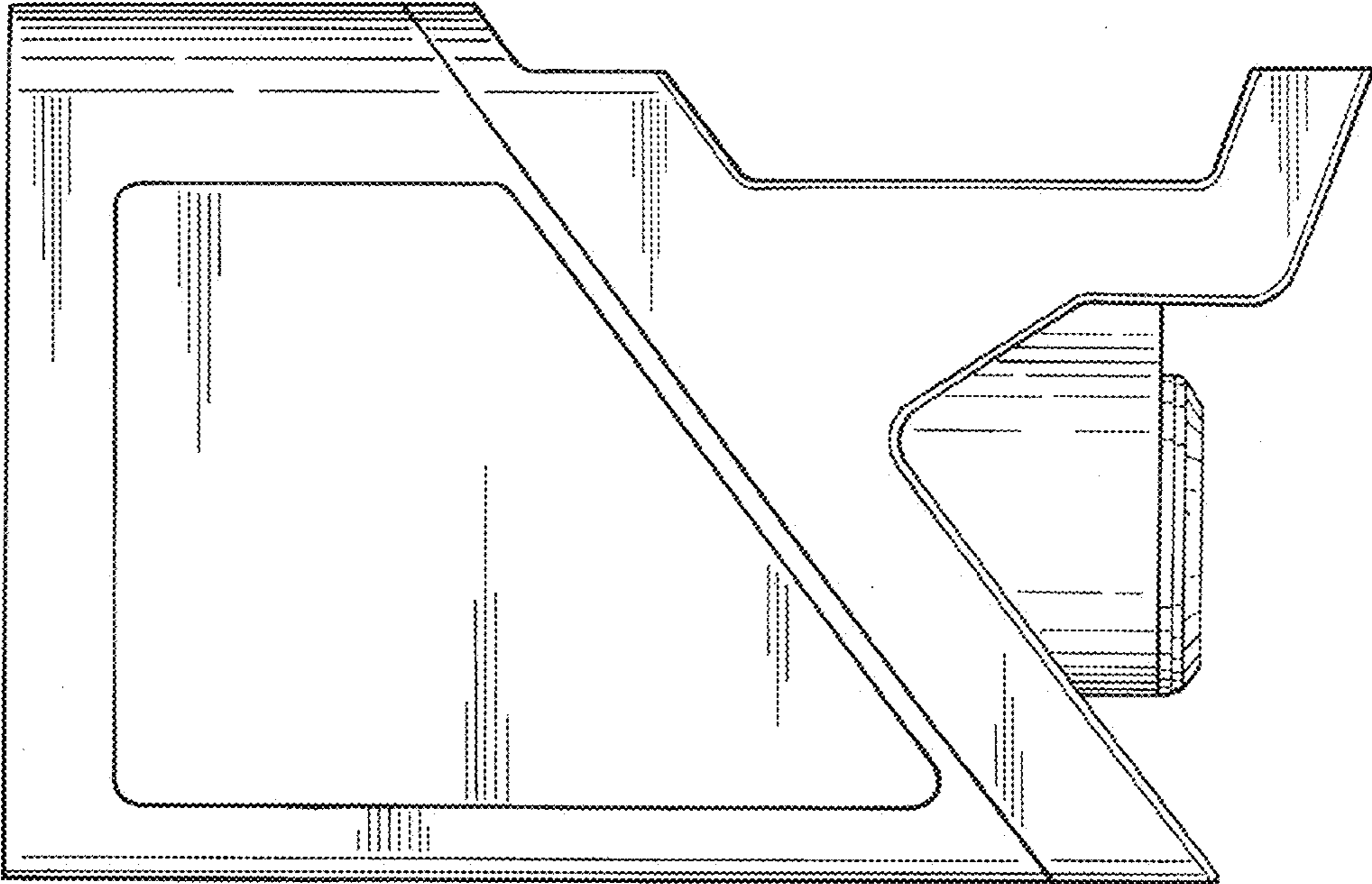


Fig. 5

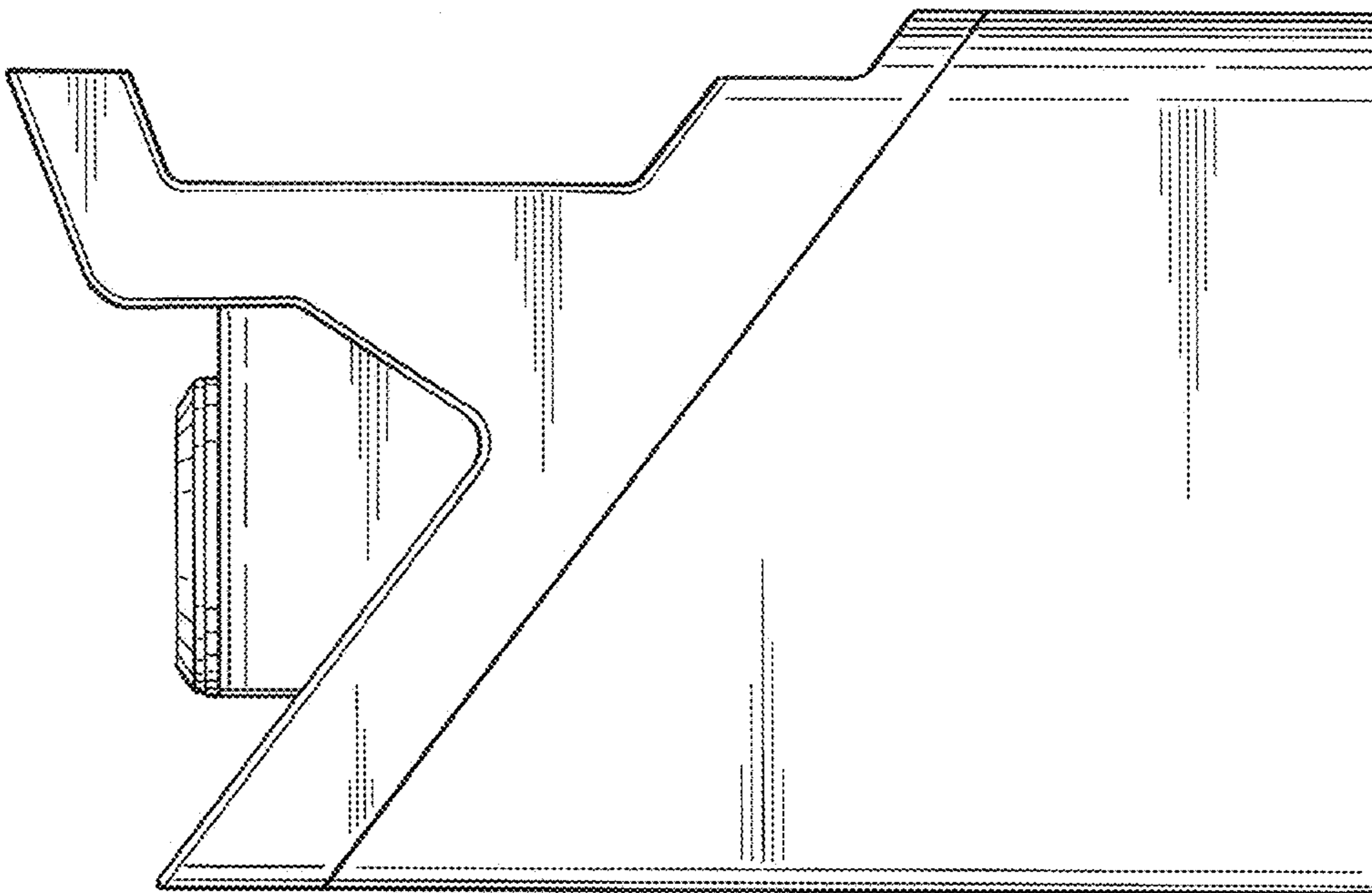


Fig. 6

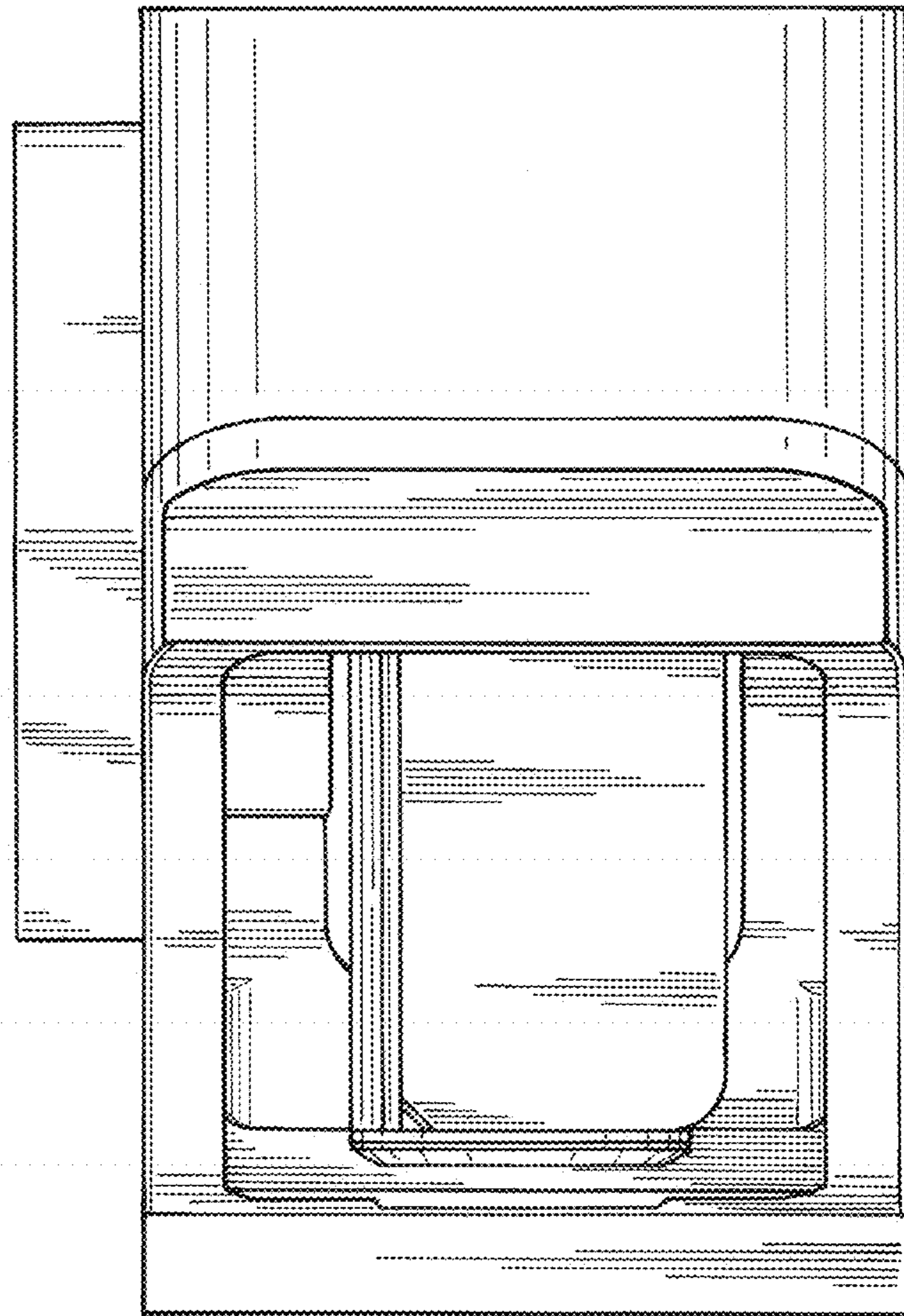


Fig. 7

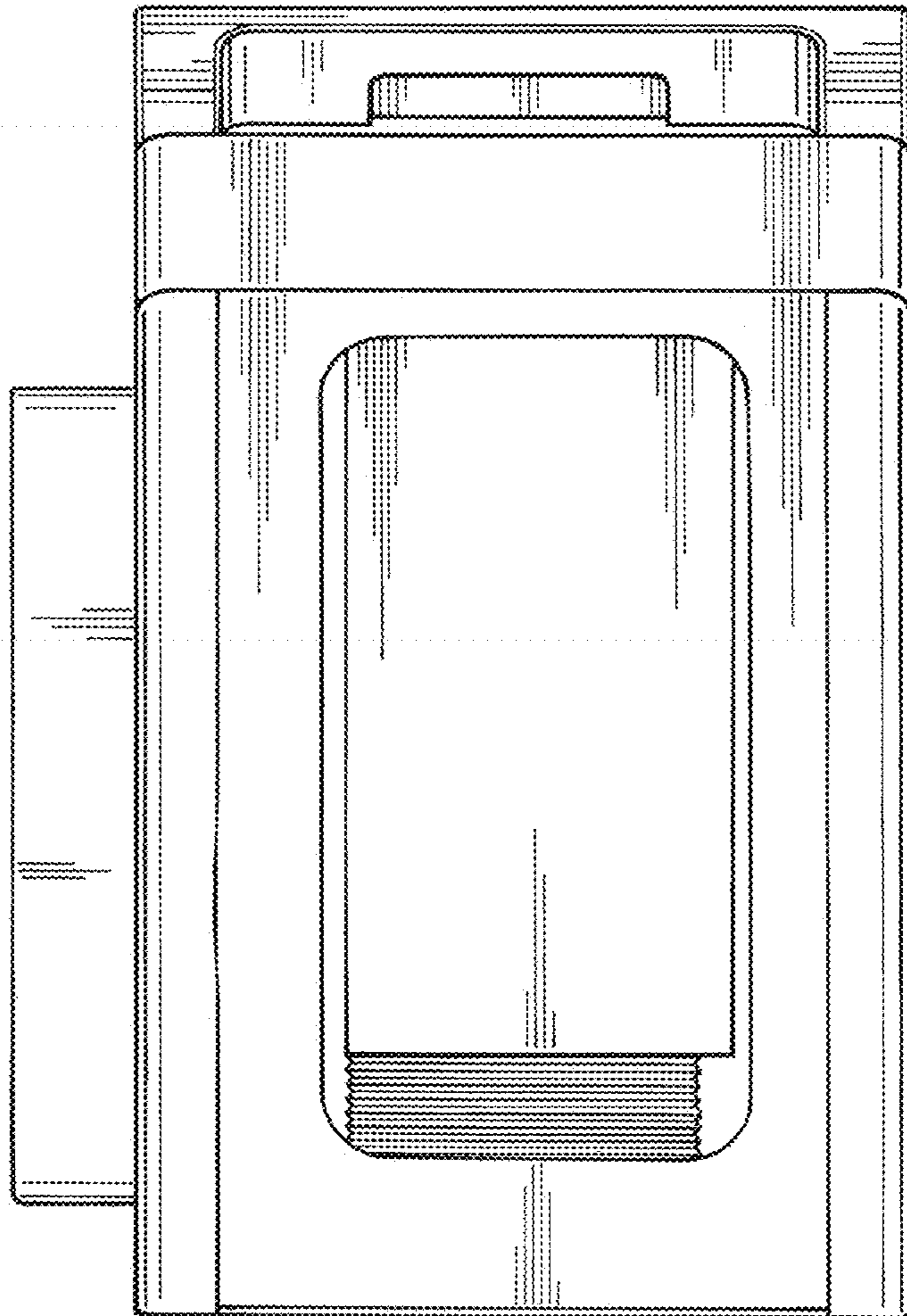


Fig. 8

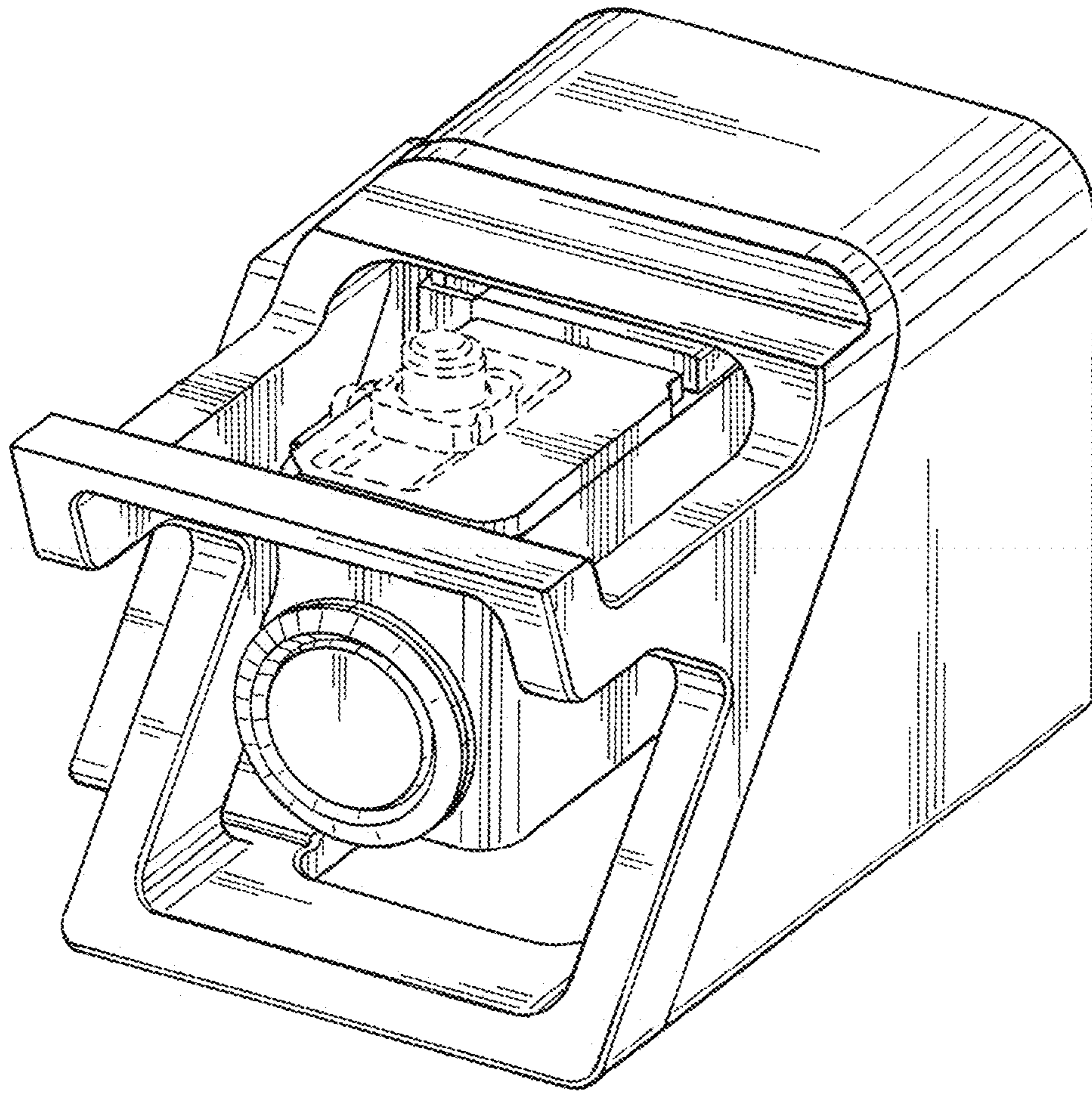


Fig. 9

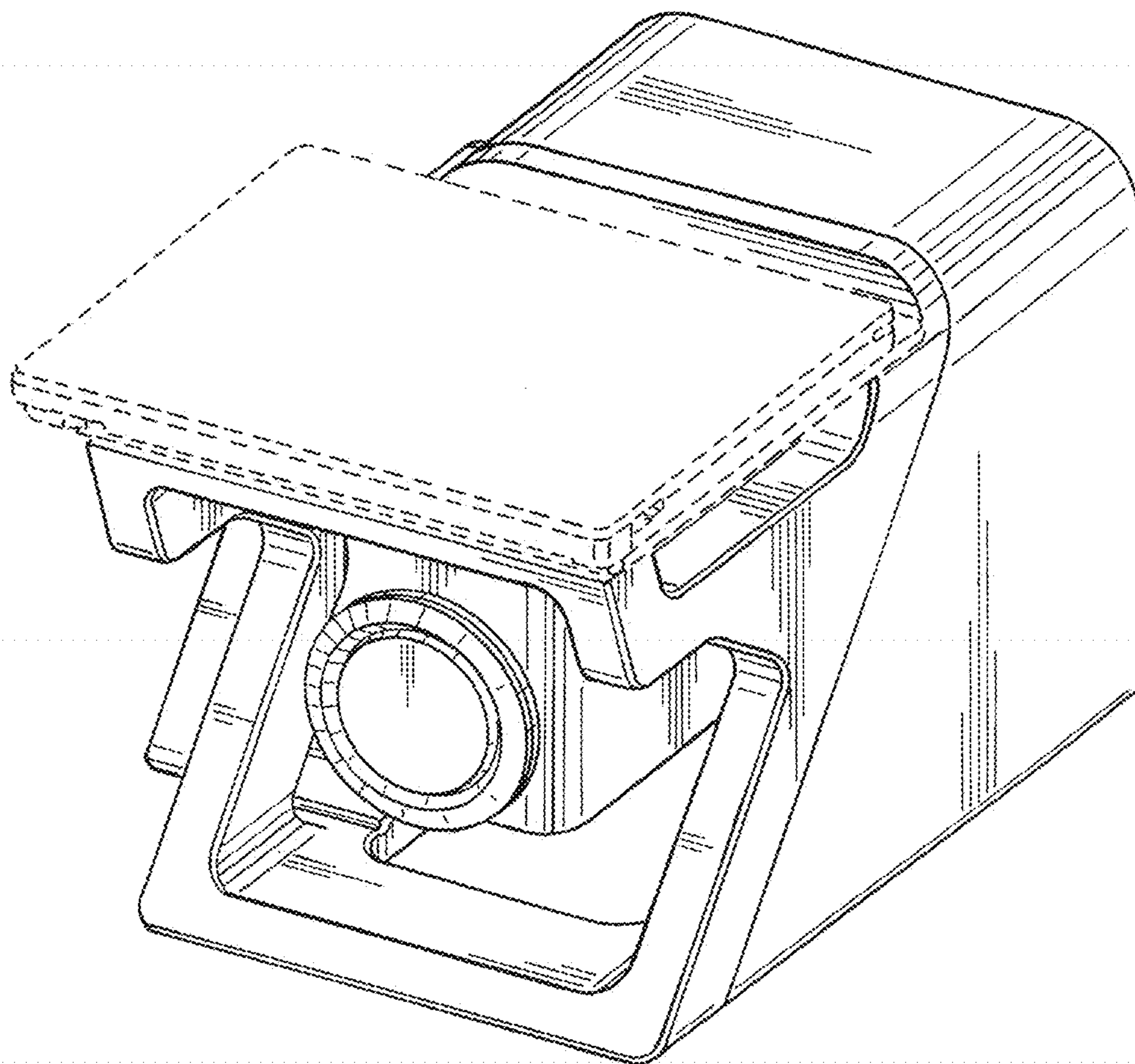


Fig. 10