

US00D680563S

(12) **United States Design Patent**
Yang et al.

(10) **Patent No.:** **US D680,563 S**

(45) **Date of Patent:** **** Apr. 23, 2013**

(54) **MACHINE TOOL**

(56)

References Cited

(71) Applicant: **Hon Hai Precision Industry Co., Ltd.**,
New Taipei (TW)

(72) Inventors: **Ming-Lu Yang**, New Taipei (TW);
Tian-En Zhang, Shenzhen (CN);
Wei-Chuan Zhang, Shenzhen (CN);
Jian-Shi Jia, Shenzhen (CN);
Yang-Mao Peng, Shenzhen (CN); **Jian**
Qu, Shenzhen (CN); **Feng-Hua Chen**,
Shenzhen (CN); **Zhen-Guang Xu**,
Shenzhen (CN); **Jing-Shuang Sui**,
Shenzhen (CN); **Da-Qing Zhuang**,
Shenzhen (CN); **Jie Li**, Shenzhen (CN);
Yi Liu, Shenzhen (CN); **Jian-Min Yu**,
Shenzhen (CN)

(73) Assignee: **Hon Hai Precision Industry Co., Ltd.**,
New Taipei (TW)

(**) Term: **14 Years**

(21) Appl. No.: **29/440,672**

(22) Filed: **Dec. 26, 2012**

(51) **LOC (9) Cl.** **15-09**

(52) **U.S. Cl.**
USPC **D15/122**

(58) **Field of Classification Search** D15/122,
D15/124, 127, 128, 130, 131; 29/26 A, 26 R,
29/30, 33 A–33 T, 34 R, 39, 50, 563–566,
29/564.1–564.8; 483/17–57

See application file for complete search history.

U.S. PATENT DOCUMENTS

D265,912 S *	8/1982	Frenkel	D15/138
D388,103 S *	12/1997	Gotou et al.	D15/127
D489,077 S *	4/2004	Bloch	D15/127
D548,755 S *	8/2007	Takeshima et al.	D15/122
D567,263 S *	4/2008	Sugihara et al.	D15/122
D578,144 S *	10/2008	Arisue et al.	D15/122
D619,834 S *	7/2010	Koller et al.	D6/514
D627,375 S *	11/2010	Jacquet et al.	D15/122
D637,631 S *	5/2011	Hiroshima et al.	D15/122
D649,174 S *	11/2011	Schindler	D15/127
D649,567 S *	11/2011	Schindler	D15/127
D654,099 S *	2/2012	Schindler et al.	D15/122
D667,032 S *	9/2012	Egami	D15/122

* cited by examiner

Primary Examiner — Patricia Palasik

(74) *Attorney, Agent, or Firm* — Altis Law Group, Inc.

(57)

CLAIM

The ornamental design for a machine tool, as shown and described.

DESCRIPTION

FIG. 1 is a perspective view of a machine tool showing my design.

FIG. 2 is a front elevational view thereof.

FIG. 3 is a rear elevational view thereof.

FIG. 4 is a left-side elevational view thereof.

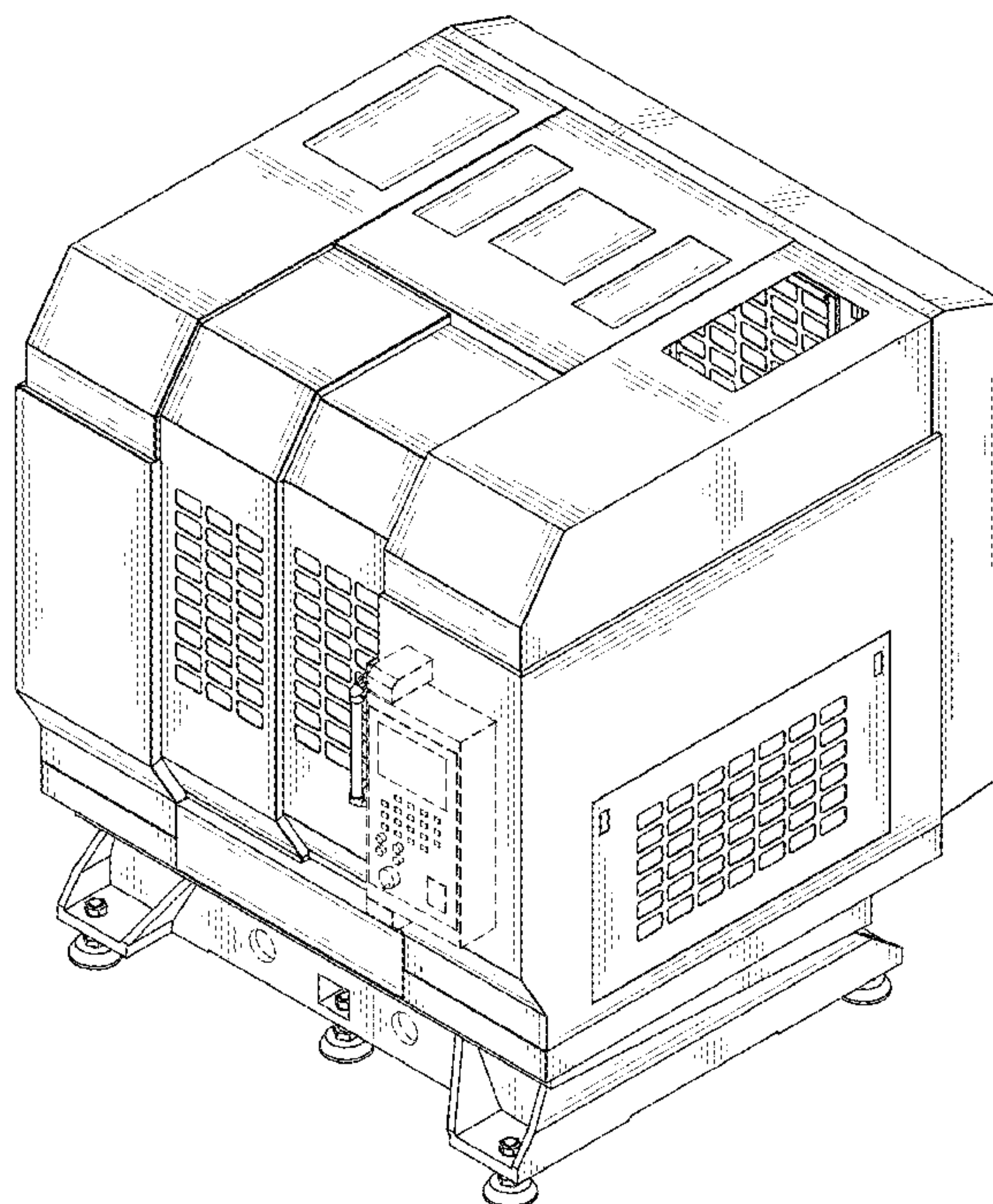
FIG. 5 is a right-side elevational view thereof.

FIG. 6 is a top plan view thereof; and,

FIG. 7 is a bottom plan view thereof.

The broken lines are for illustrative purposes only and form no part of the claimed design.

1 Claim, 7 Drawing Sheets



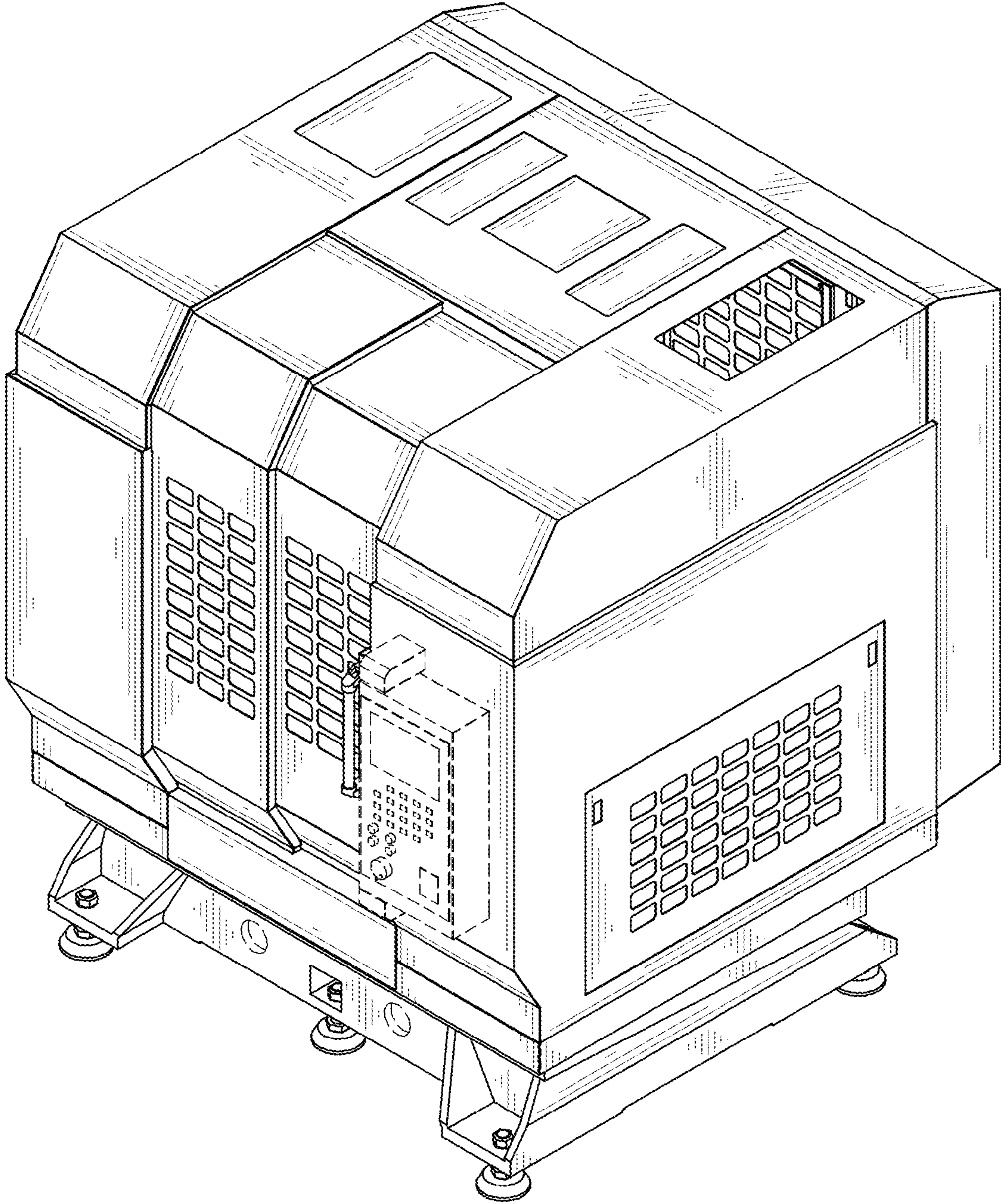


FIG. 1

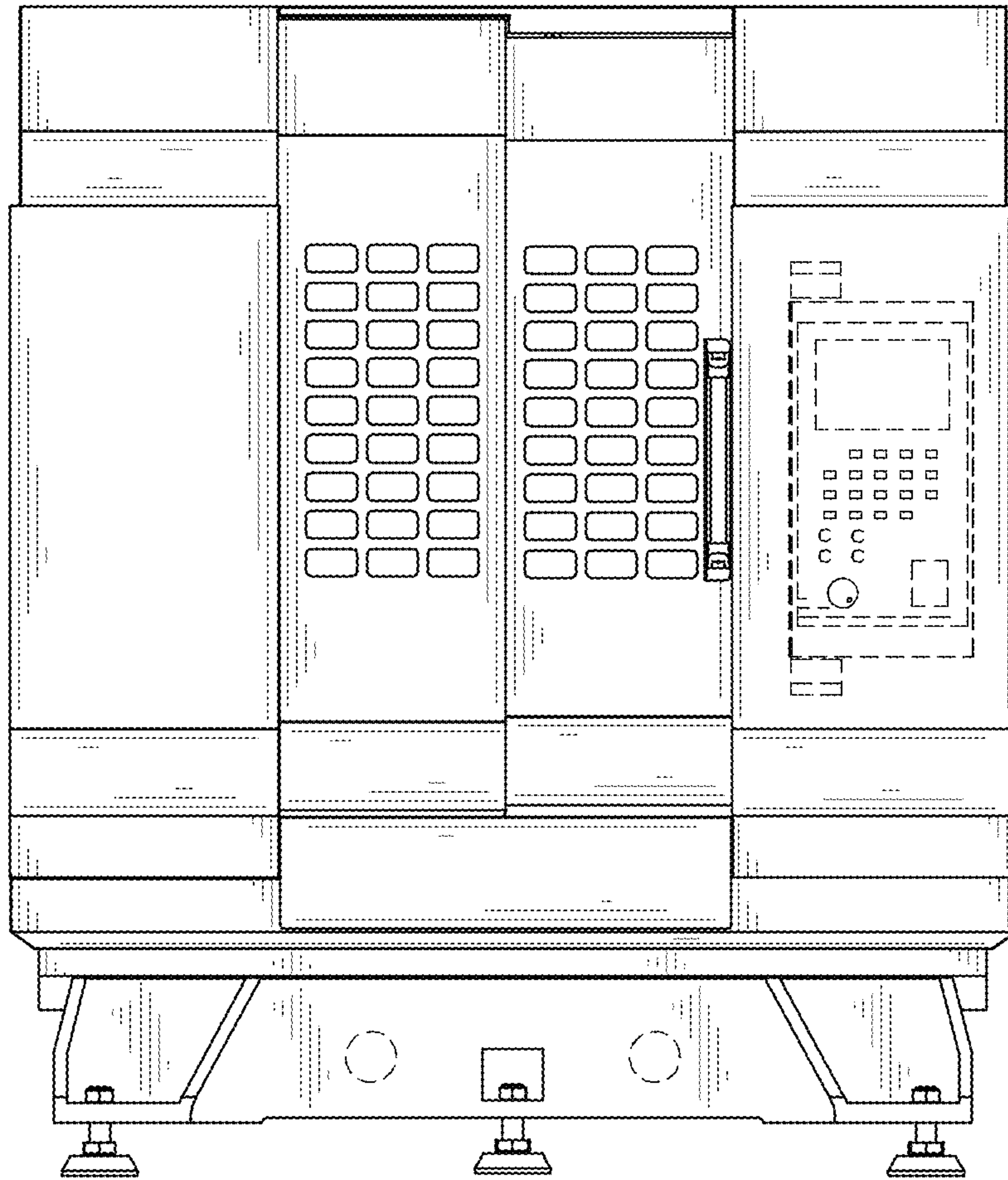


FIG. 2

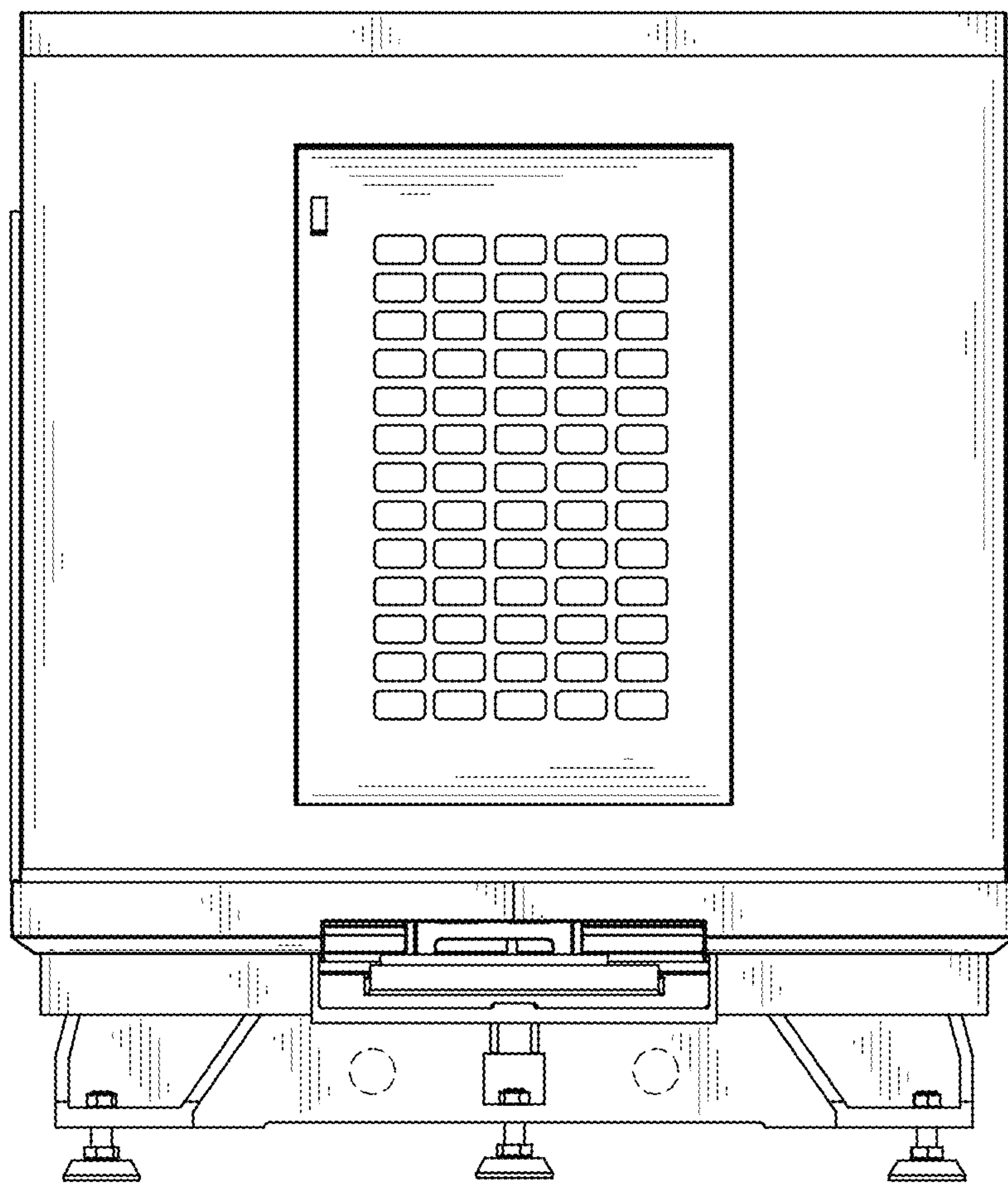


FIG. 3

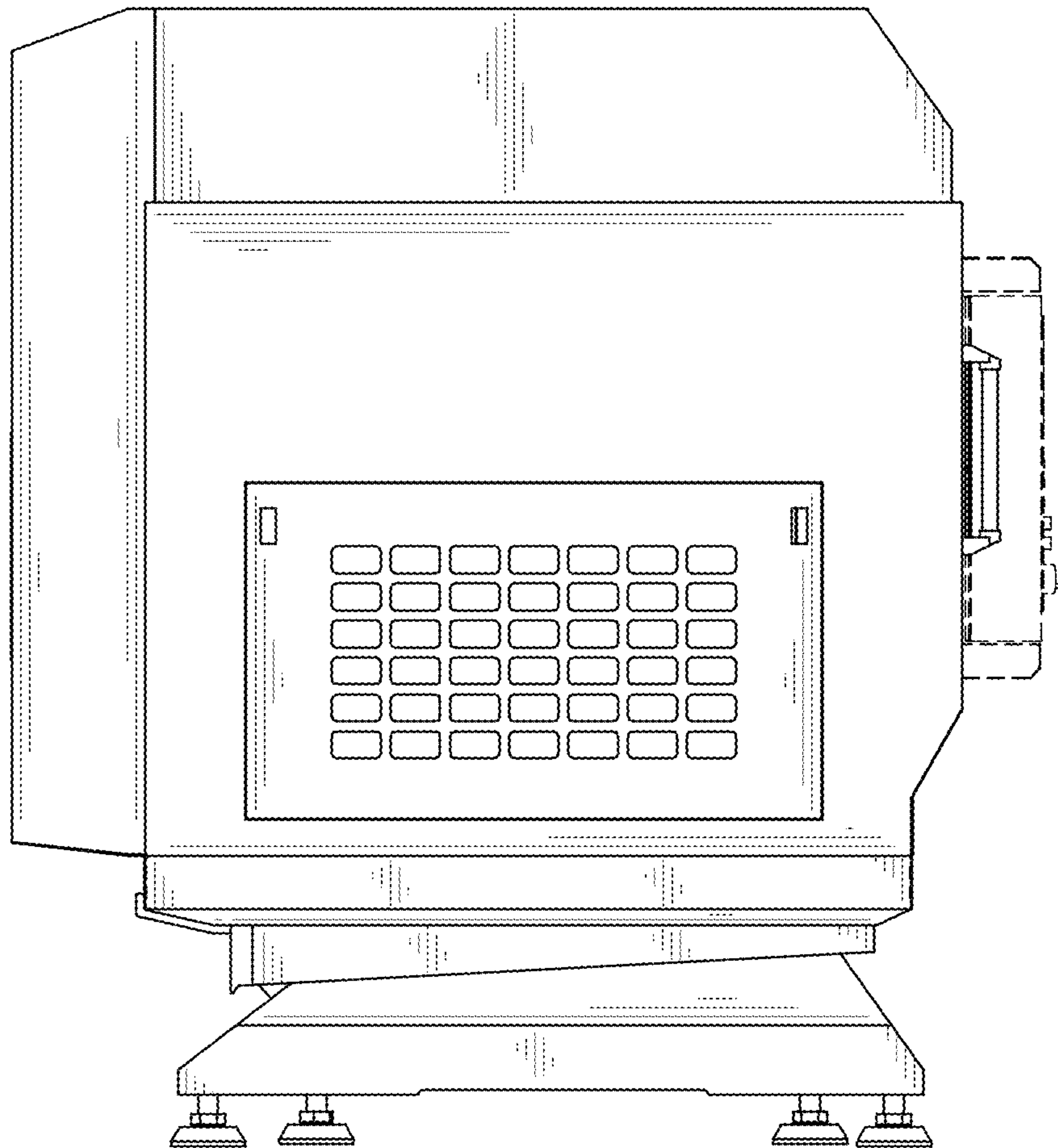


FIG. 4

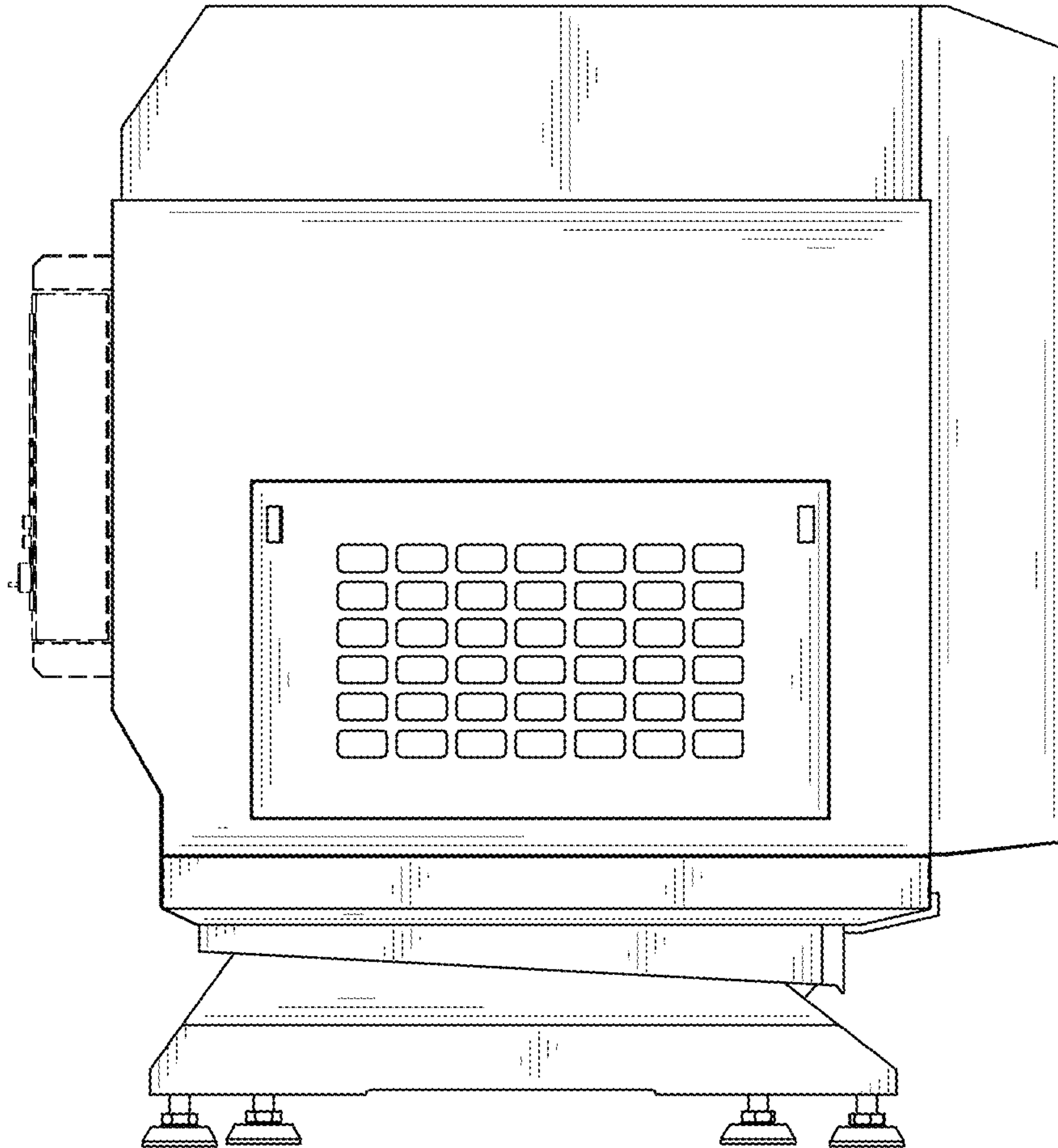


FIG. 5



FIG. 6

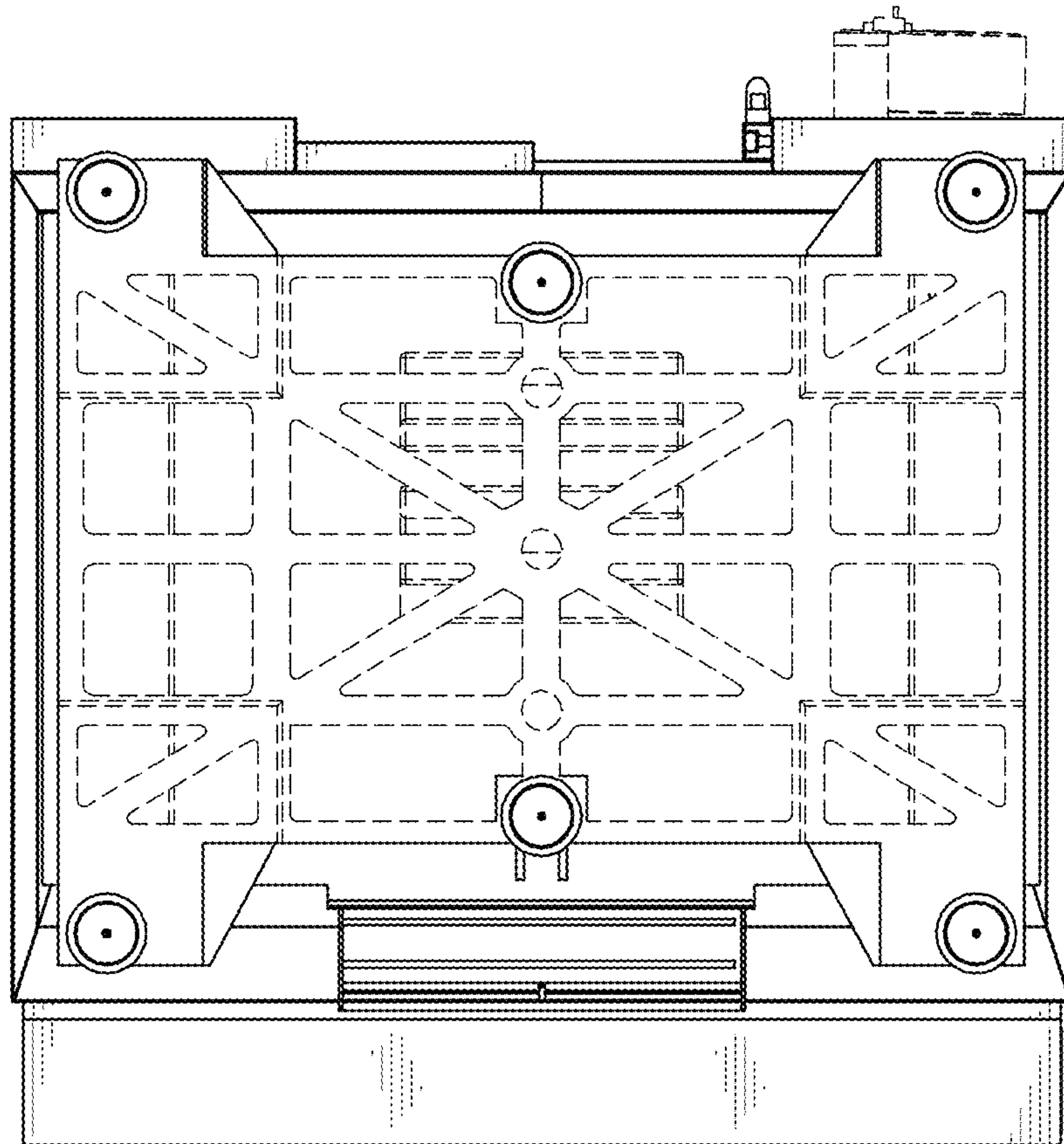


FIG. 7