



US00D680559S

(12) **United States Design Patent**  
**Blunier et al.**

(10) **Patent No.:** **US D680,559 S**  
(45) **Date of Patent:** **\*\* Apr. 23, 2013**

(54) **AGRICULTURAL IMPLEMENT**

(75) Inventors: **Timothy R. Blunier**, Danvers, IL (US);  
**Matthew R. Sudbrink**, Metamora, IL  
(US); **Scott Robert Faust**, Philo, IL  
(US); **Brian McMahon**, Deer Creek, IL  
(US); **Jessica Haynes**, West Bend, WI  
(US)

(73) Assignee: **CNH America LLC**, New Holland, PA  
(US)

(\*\*) Term: **14 Years**

(21) Appl. No.: **29/431,311**

(22) Filed: **Sep. 6, 2012**

(51) **LOC (9) Cl.** ..... **15-03**

(52) **U.S. Cl.**  
USPC ..... **D15/27; D15/10**

(58) **Field of Classification Search** ..... D15/10,  
D15/12, 27, 28; 56/15.8, 15.9; 172/311,  
172/210, 466, 484, 456, 481, 605, 626, 776,  
172/507; 111/52-57; 280/401, 411 A-411 C,  
280/415 A, 415 R, 412, 413, 482, 656  
See application file for complete search history.

(56) **References Cited**

**U.S. PATENT DOCUMENTS**

3,401,752	A *	9/1968	Nja	172/452
4,320,805	A *	3/1982	Winter	172/776
4,534,416	A *	8/1985	Johnson	172/311
D469,782	S *	2/2003	Paluch et al.	D15/10
D559,868	S *	1/2008	Nanlawala et al.	D15/27
D627,373	S *	11/2010	Prickel et al.	D15/27
D629,426	S *	12/2010	Prickel et al.	D15/27
D629,427	S *	12/2010	Prickel et al.	D15/27
D631,068	S *	1/2011	Prickel et al.	D15/27

D646,699	S *	10/2011	Knobloch et al.	D15/27
8,118,110	B2 *	2/2012	Tamm et al.	172/460
2004/0011538	A1 *	1/2004	Raducha et al.	172/311
2004/0149464	A1 *	8/2004	Arnett	172/311
2004/0188109	A1 *	9/2004	Domries	172/311
2005/0087350	A1 *	4/2005	Bauer	172/311
2006/0081163	A1 *	4/2006	Auer et al.	111/130
2007/0163791	A1 *	7/2007	Meek	172/311
2009/0178600	A1 *	7/2009	Horn et al.	111/52
2009/0199750	A1 *	8/2009	Rice et al.	111/52
2009/0229501	A1 *	9/2009	Jaime et al.	111/55
2010/0101813	A1 *	4/2010	Friggstad et al.	172/311
2010/0126742	A1 *	5/2010	Poole et al.	172/311
2010/0126743	A1 *	5/2010	Poole et al.	172/311
2010/0126744	A1 *	5/2010	Poole	172/311

\* cited by examiner

*Primary Examiner* — Mark Goodwin

(74) *Attorney, Agent, or Firm* — Rebecca Henkel

(57) **CLAIM**

The ornamental design for an agricultural implement, substantially as shown and described.

**DESCRIPTION**

FIG. 1 is a perspective view of an agricultural implement showing our new design;

FIG. 2 is a top view of the agricultural implement;

FIG. 3 is a bottom view of the agricultural implement;

FIG. 4 is a front elevation view of the agricultural implement;

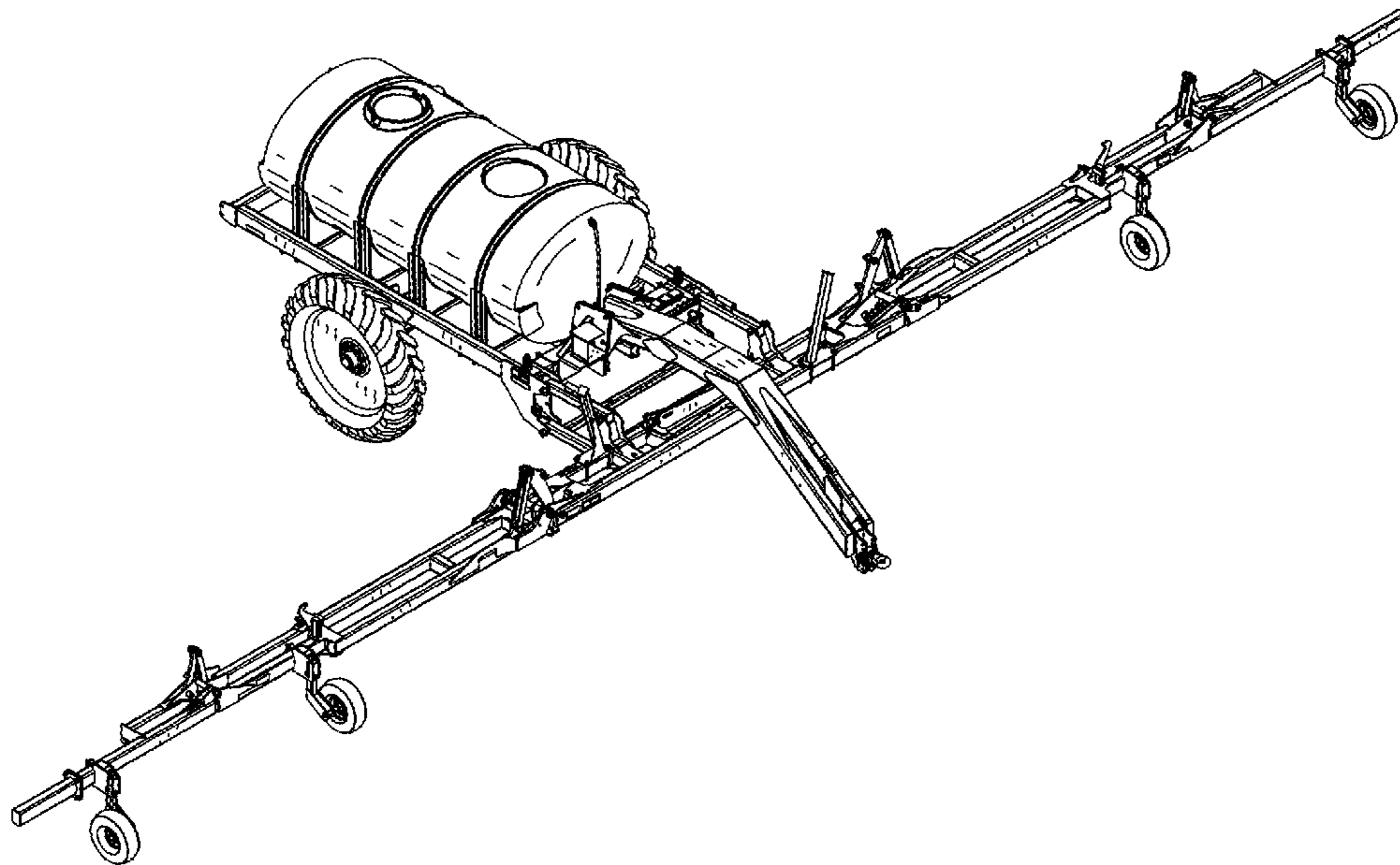
FIG. 5 is a back elevation view of the agricultural implement;

FIG. 6 is a right side elevation view of the agricultural implement, which has been enlarged for clarity;

FIG. 7 is a left side elevation view of the agricultural implement, which has been enlarged for clarity; and,

FIG. 8 is a perspective view of the agricultural implement in a folded transport configuration.

**1 Claim, 6 Drawing Sheets**



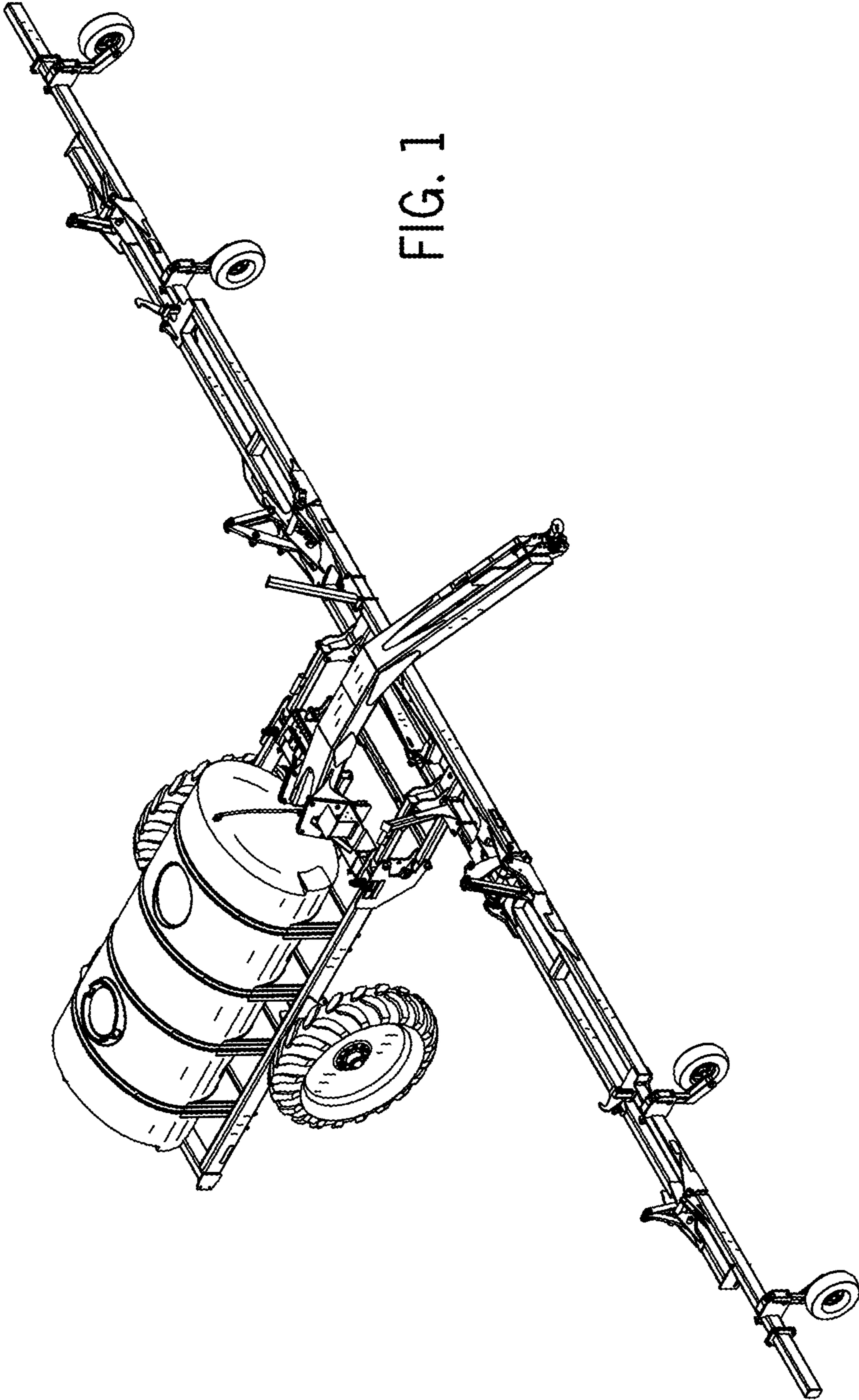


FIG. 1

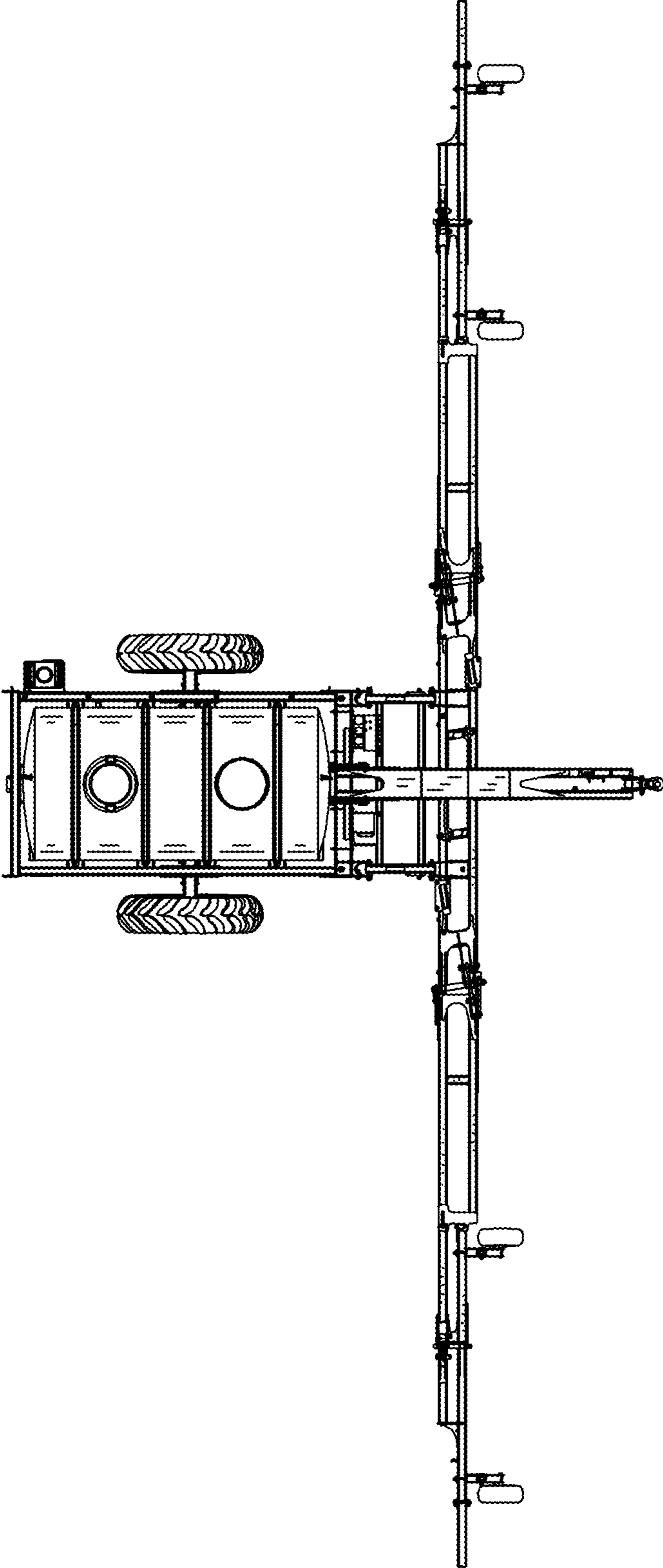


FIG. 2

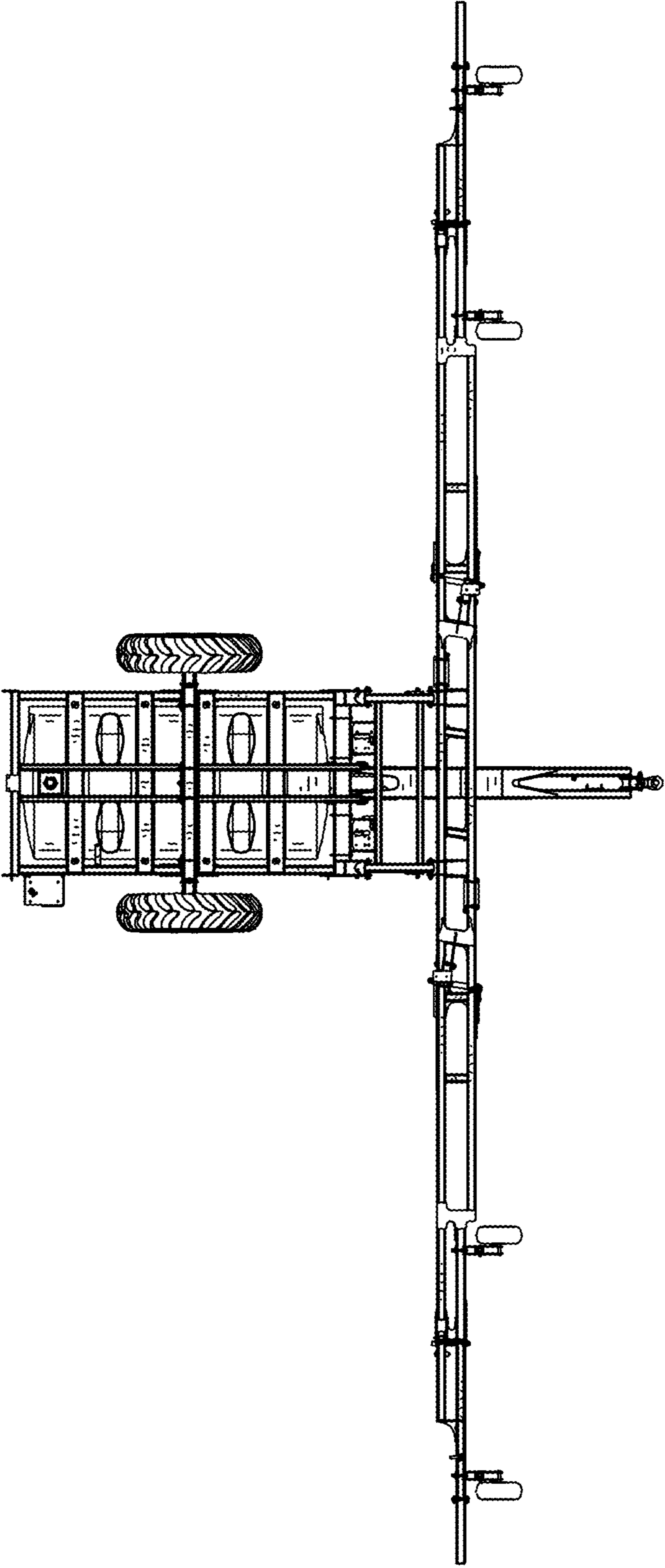


FIG. 3

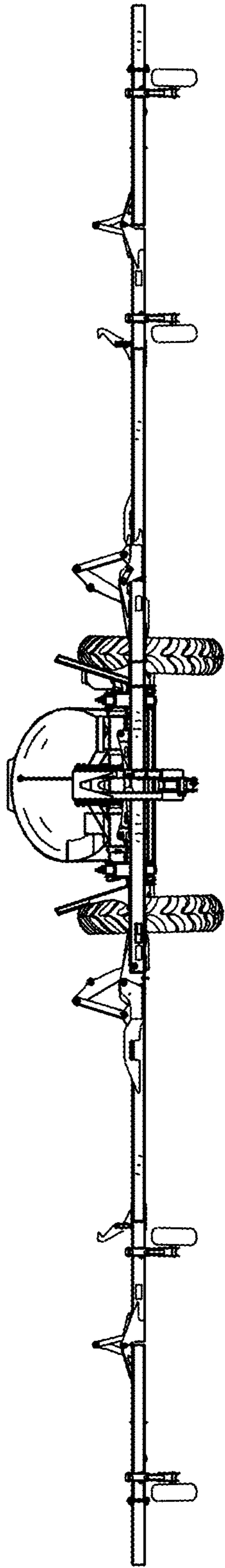


FIG. 4

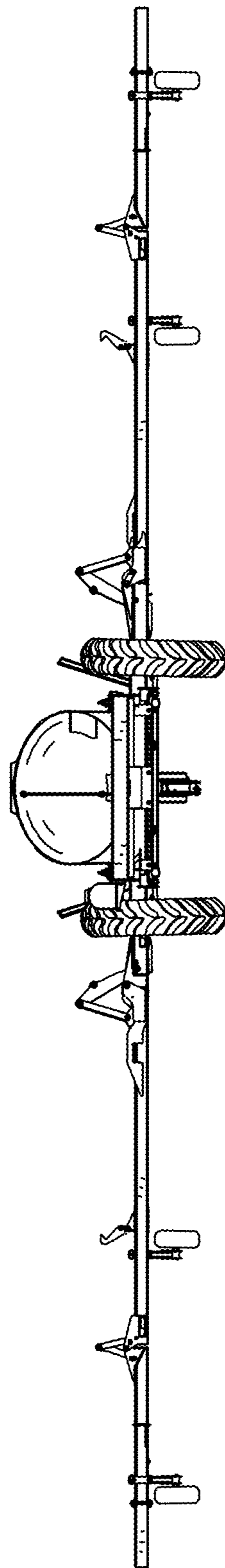


FIG. 5

FIG. 6

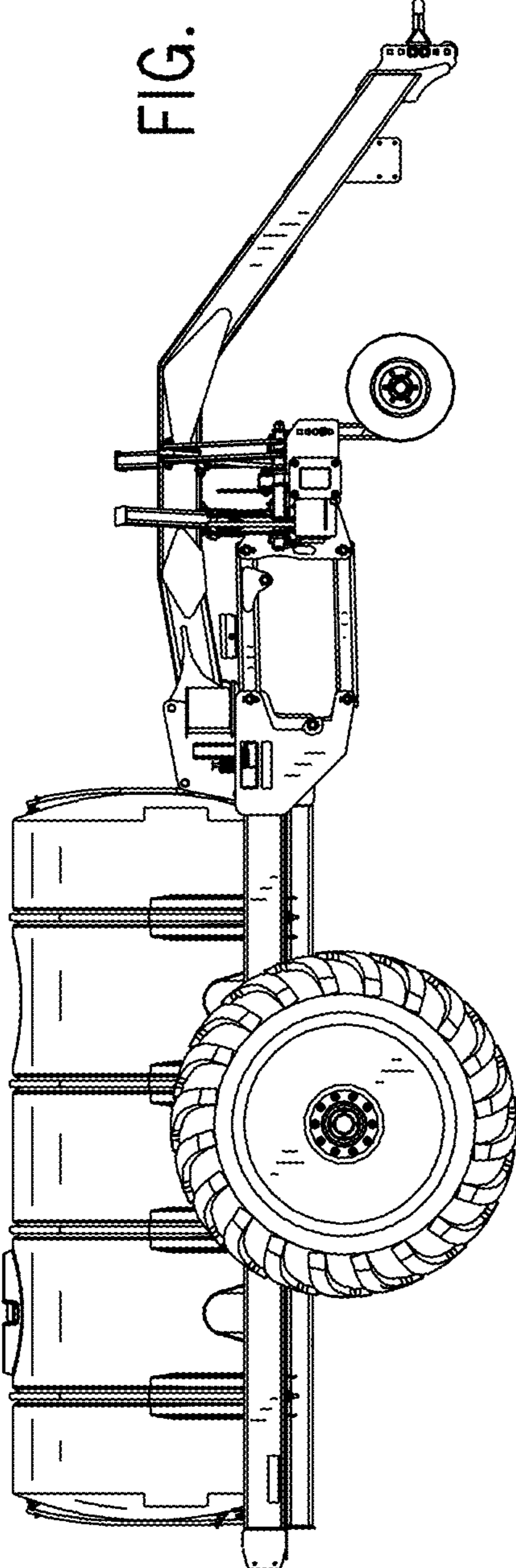
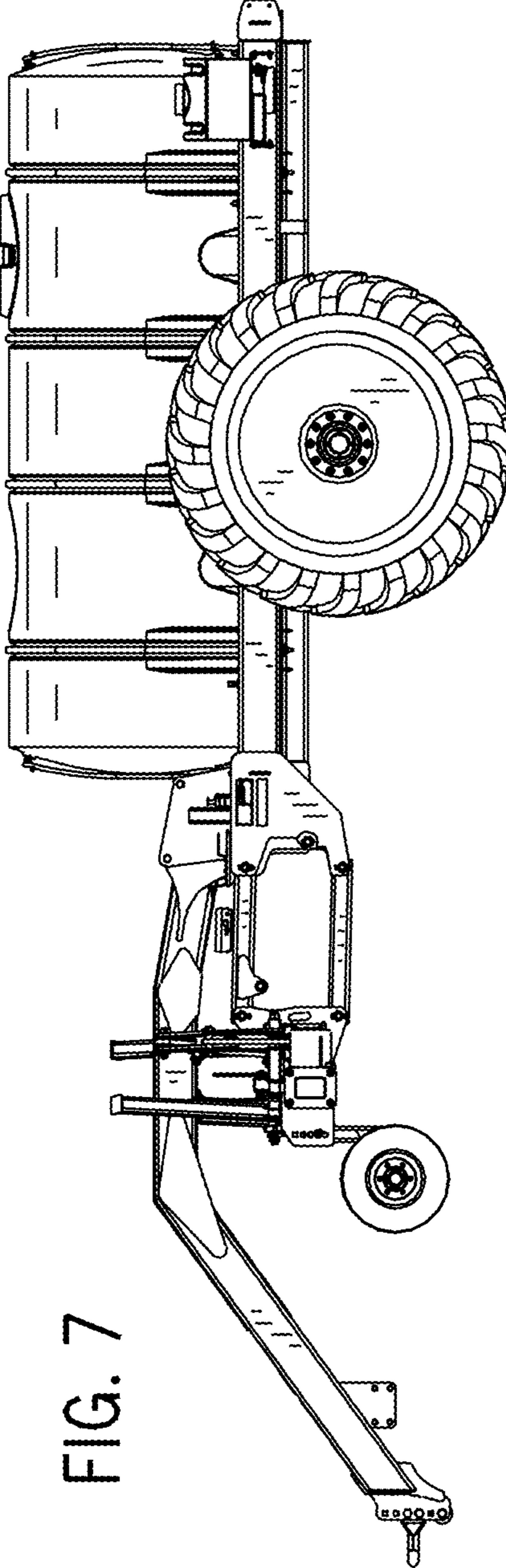


FIG. 7



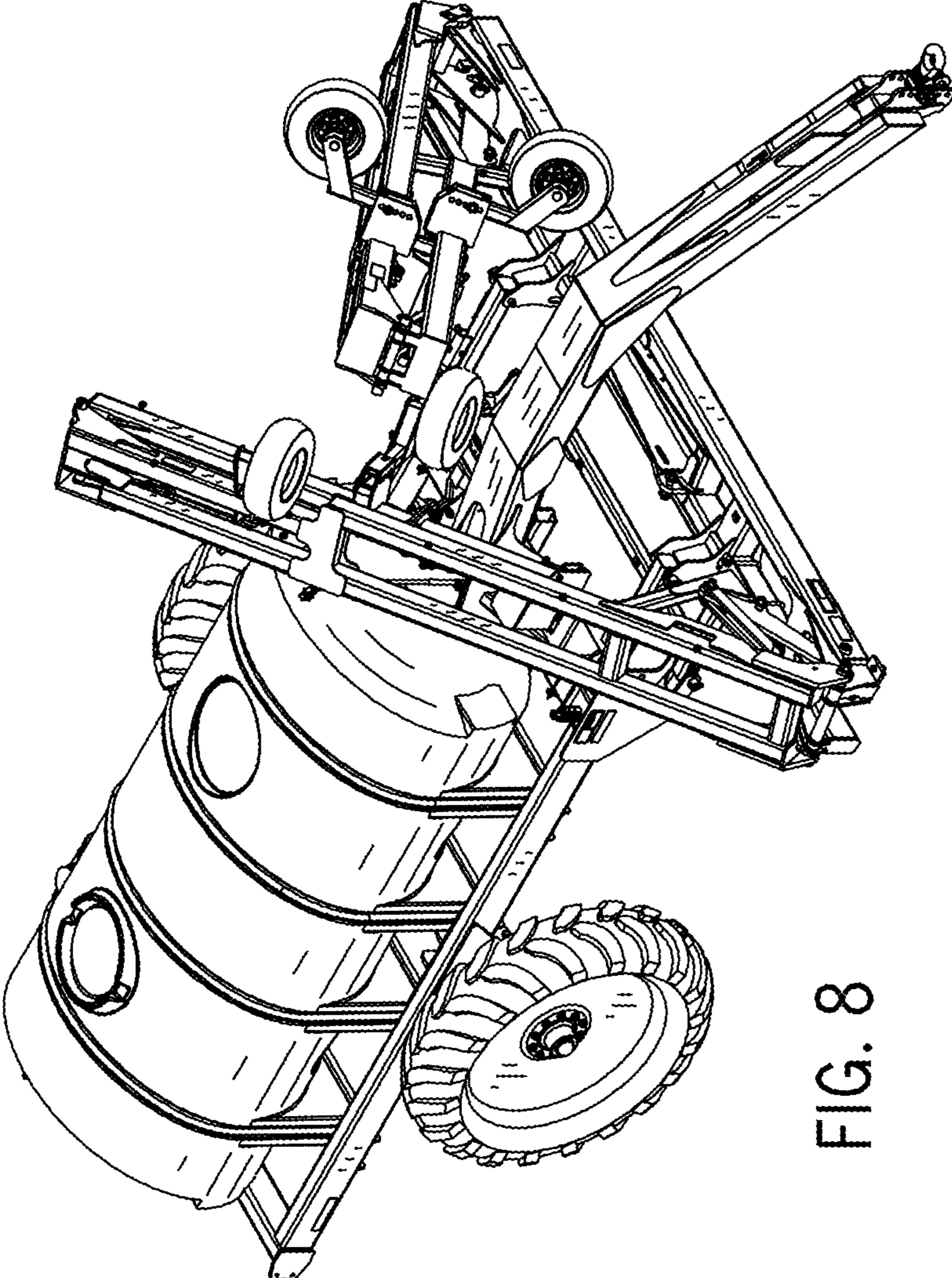


FIG. 8