



US00D680558S

(12) **United States Design Patent**
Clement

(10) **Patent No.:** **US D680,558 S**
(45) **Date of Patent:** **** Apr. 23, 2013**

- (54) **TURF PLOW**
- (71) Applicant: **Matthew Clement**, North Kingstown, RI (US)
- (72) Inventor: **Matthew Clement**, North Kingstown, RI (US)
- (**) Term: **14 Years**
- (21) Appl. No.: **29/435,101**
- (22) Filed: **Oct. 19, 2012**
- (51) **LOC (9) Cl.** **15-03**
- (52) **U.S. Cl.**
USPC **D15/11; D15/17**
- (58) **Field of Classification Search** D15/10,
D15/11, 23, 25, 28, 32, 17; 37/197, 270,
37/196, 217, 273, 276, 407, 266, 7, 817,
37/826, 821, 279, 231, 219, 701.2, 2, 442,
37/443, 444, 445, 398, 274, 284, 267, 406;
254/131.5, 54.5, 59; 701/41, 50; 702/41;
180/6.7, 701.1, 4.5, 7, 2, 817, 826, 821
See application file for complete search history.

6,560,904	B2 *	5/2003	Guggino	37/233
D478,097	S *	8/2003	Vennard et al.	D15/11
D511,173	S *	11/2005	Fatemi	D15/11
D511,174	S *	11/2005	Fatemi	D15/11
D512,443	S *	12/2005	Fatemi	D15/11
D519,128	S *	4/2006	Vennard et al.	D15/11
D519,129	S *	4/2006	Vennard et al.	D15/11
D570,377	S *	6/2008	Evans et al.	D15/11
7,412,787	B2 *	8/2008	Sutton et al.	37/267
D594,882	S *	6/2009	Schultz	D15/11
7,805,863	B2 *	10/2010	Vennard et al.	37/266
D629,425	S *	12/2010	Morin	D15/11
8,191,288	B2 *	6/2012	Weagley et al.	37/267
2012/0117831	A1 *	5/2012	Lathrop et al.	37/197

* cited by examiner

Primary Examiner — Mark Goodwin
(74) *Attorney, Agent, or Firm* — Salter & Michaelson

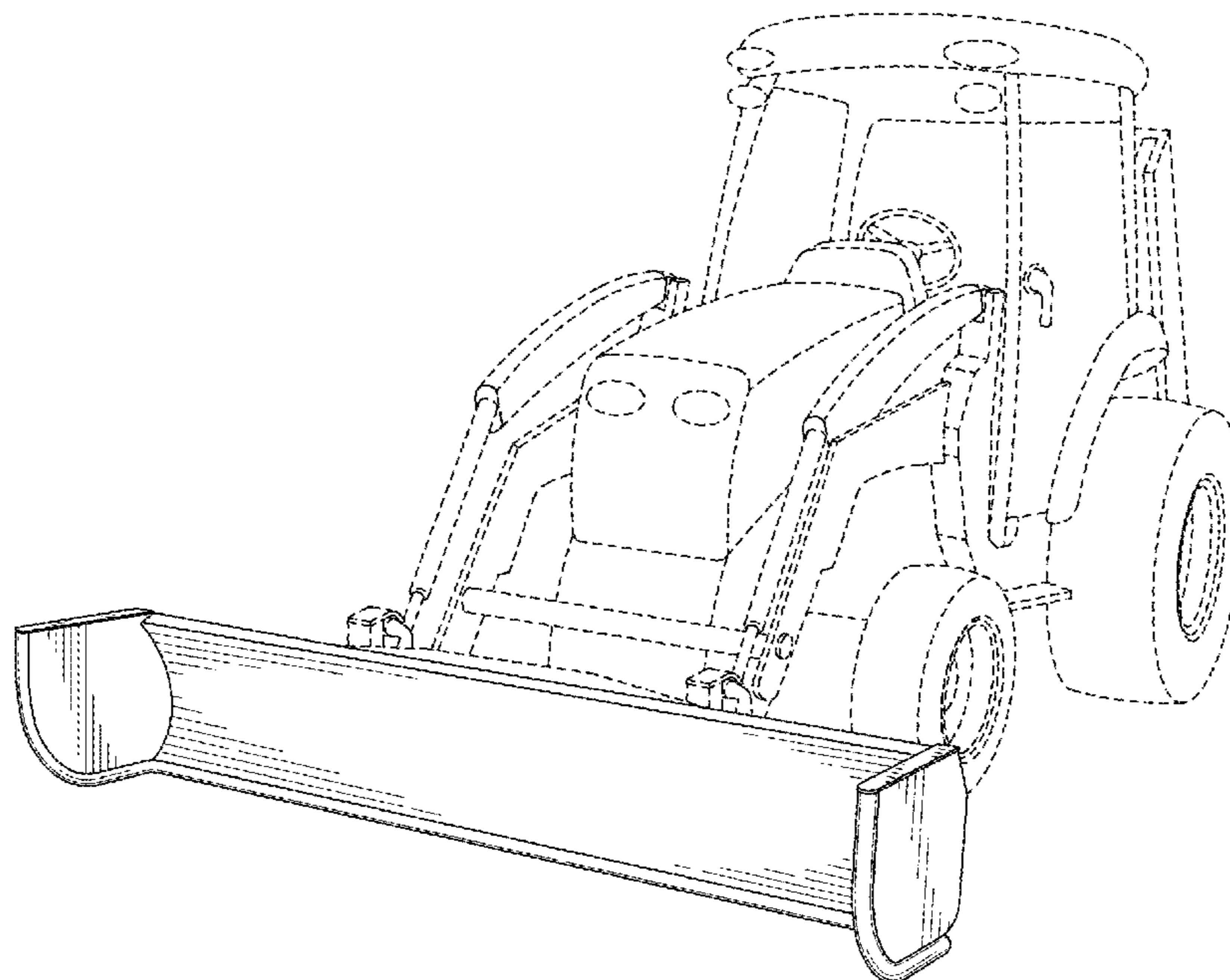
(57) **CLAIM**
The ornamental design for a turf plow, as shown and described.

DESCRIPTION

FIG. 1 is a perspective view of a turf plow showing my new design in use condition attached to a tractor;
FIG. 2 is a perspective view thereof;
FIG. 3 is a front elevational view thereof;
FIG. 4 is a rear elevational view thereof;
FIG. 5 is a top plan view thereof;
FIG. 6 is a bottom plan view thereof;
FIG. 7 is a left side elevational view thereof; and,
FIG. 8 is a right side elevational view thereof.
The portions shown in broken lines are included for illustrative purposes only and form no part of the claimed design.

1 Claim, 5 Drawing Sheets

- (56) **References Cited**
- U.S. PATENT DOCUMENTS
- 637,712 A * 11/1899 Damerell 172/34
- 4,936,392 A * 6/1990 Kitchin 172/815
- 4,962,600 A * 10/1990 Zellaha et al. 37/280
- 5,285,588 A * 2/1994 Niemela et al. 37/234
- D377,653 S * 1/1997 Matisz et al. D15/11
- 5,724,755 A * 3/1998 Weagley 37/233
- D396,236 S * 7/1998 Matisz et al. D15/11
- 6,112,438 A * 9/2000 Weagley 37/270
- 6,425,196 B1 * 7/2002 Weagley et al. 37/270
- 6,470,604 B1 * 10/2002 Foster et al. 37/267



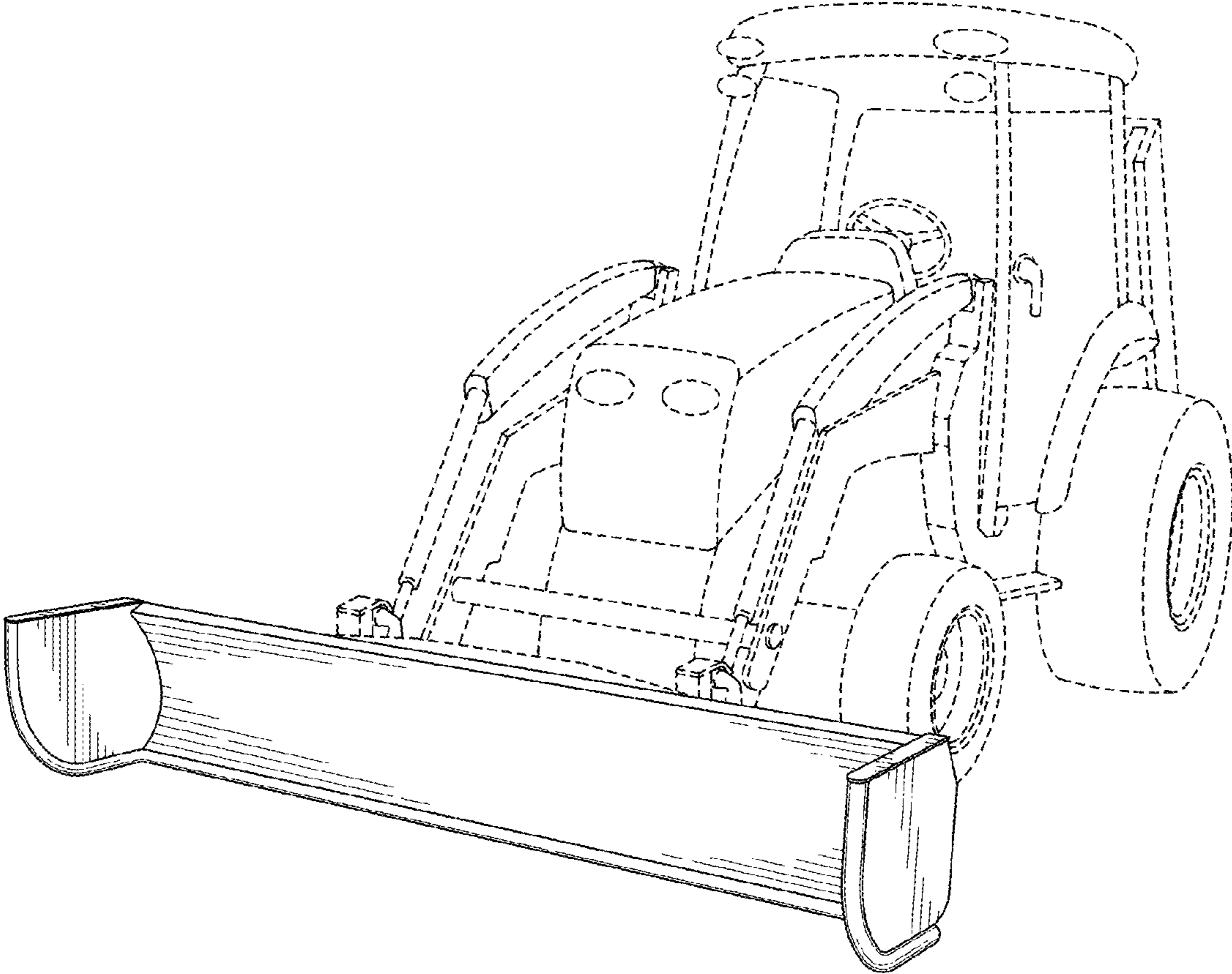


FIG. 1

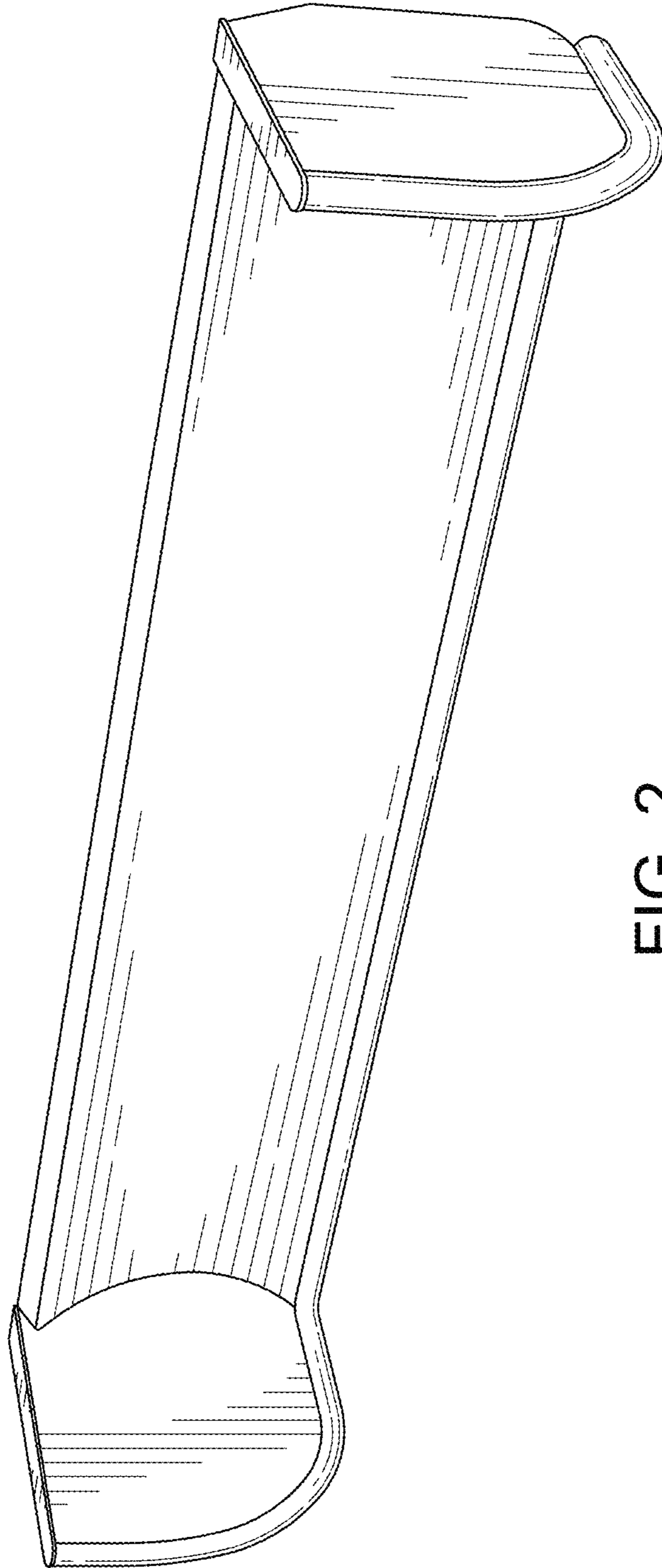


FIG. 2

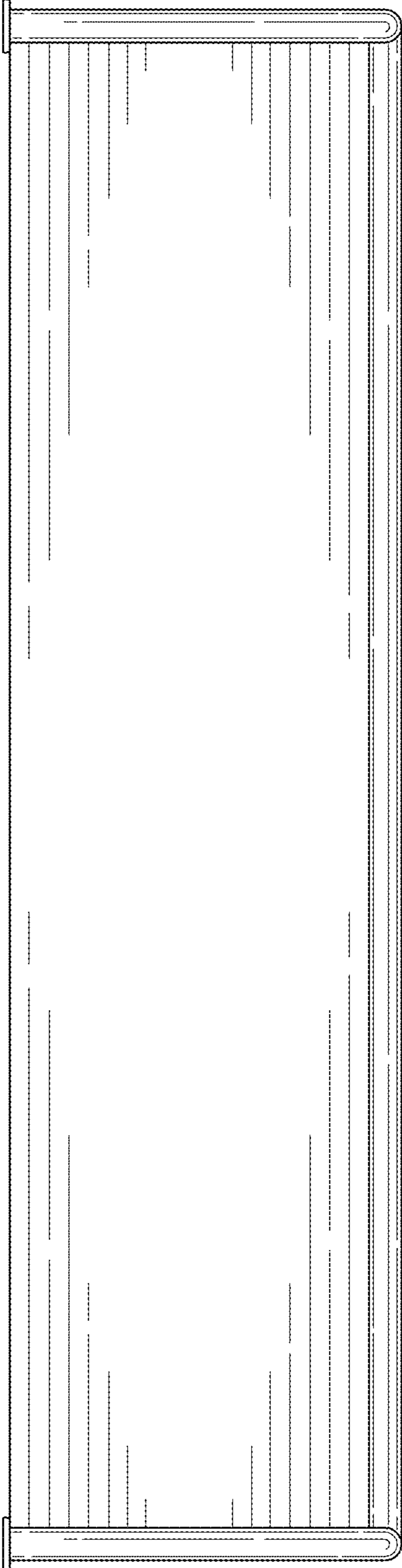


FIG. 3

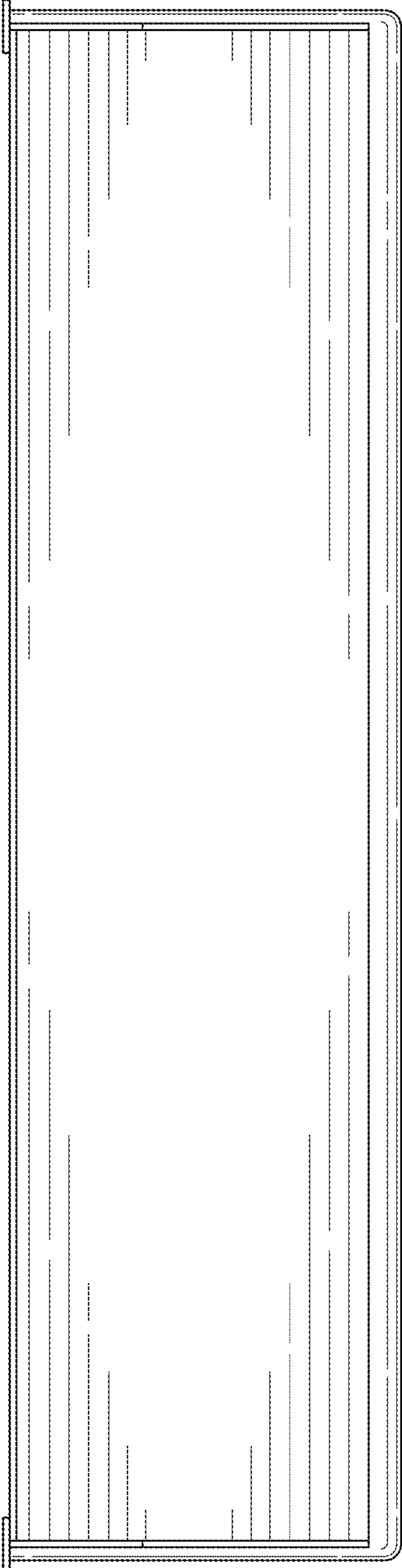


FIG. 4

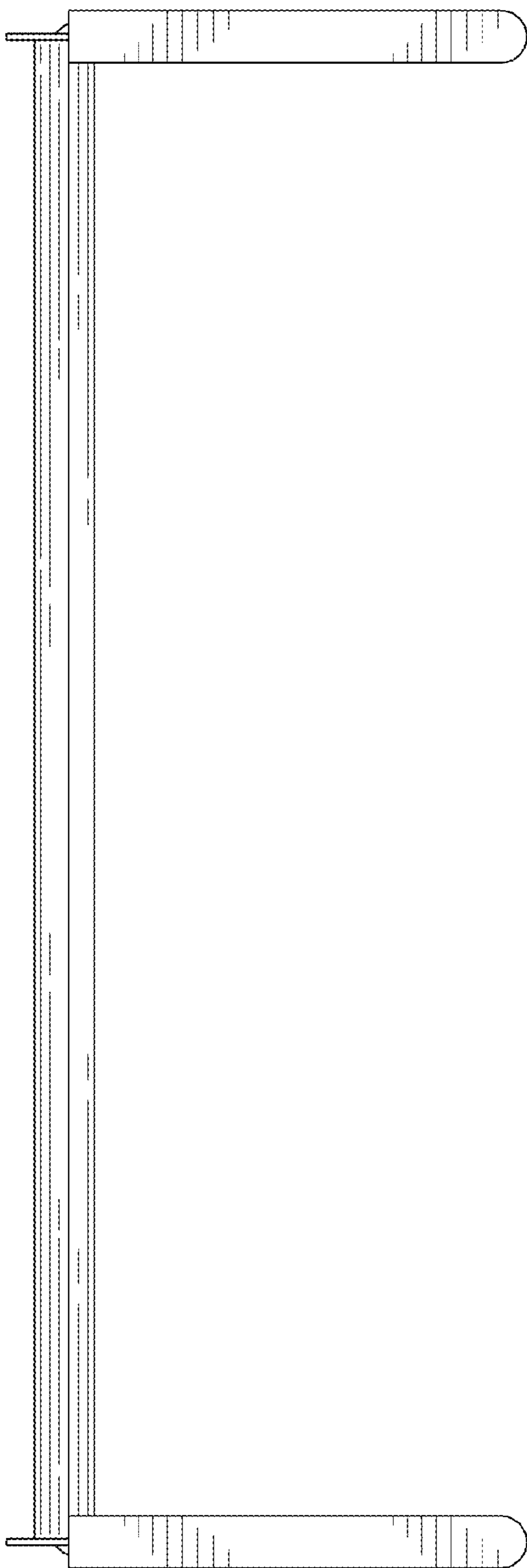


FIG. 5

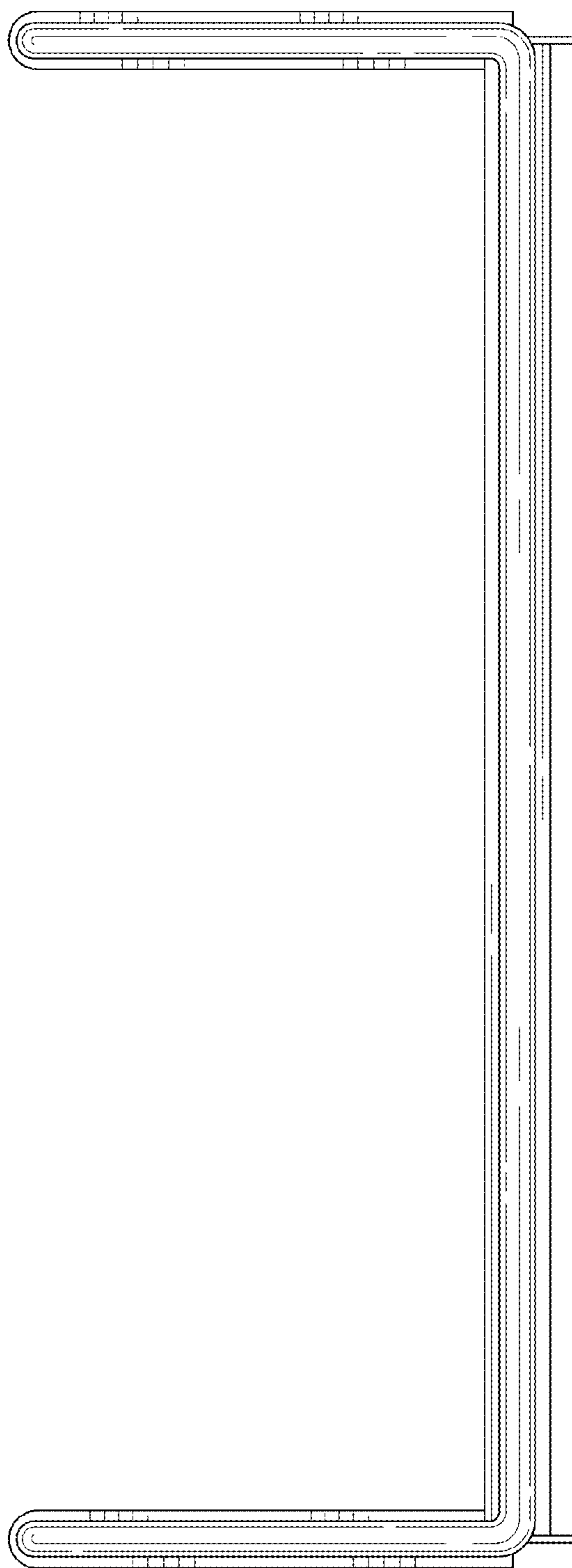


FIG. 6

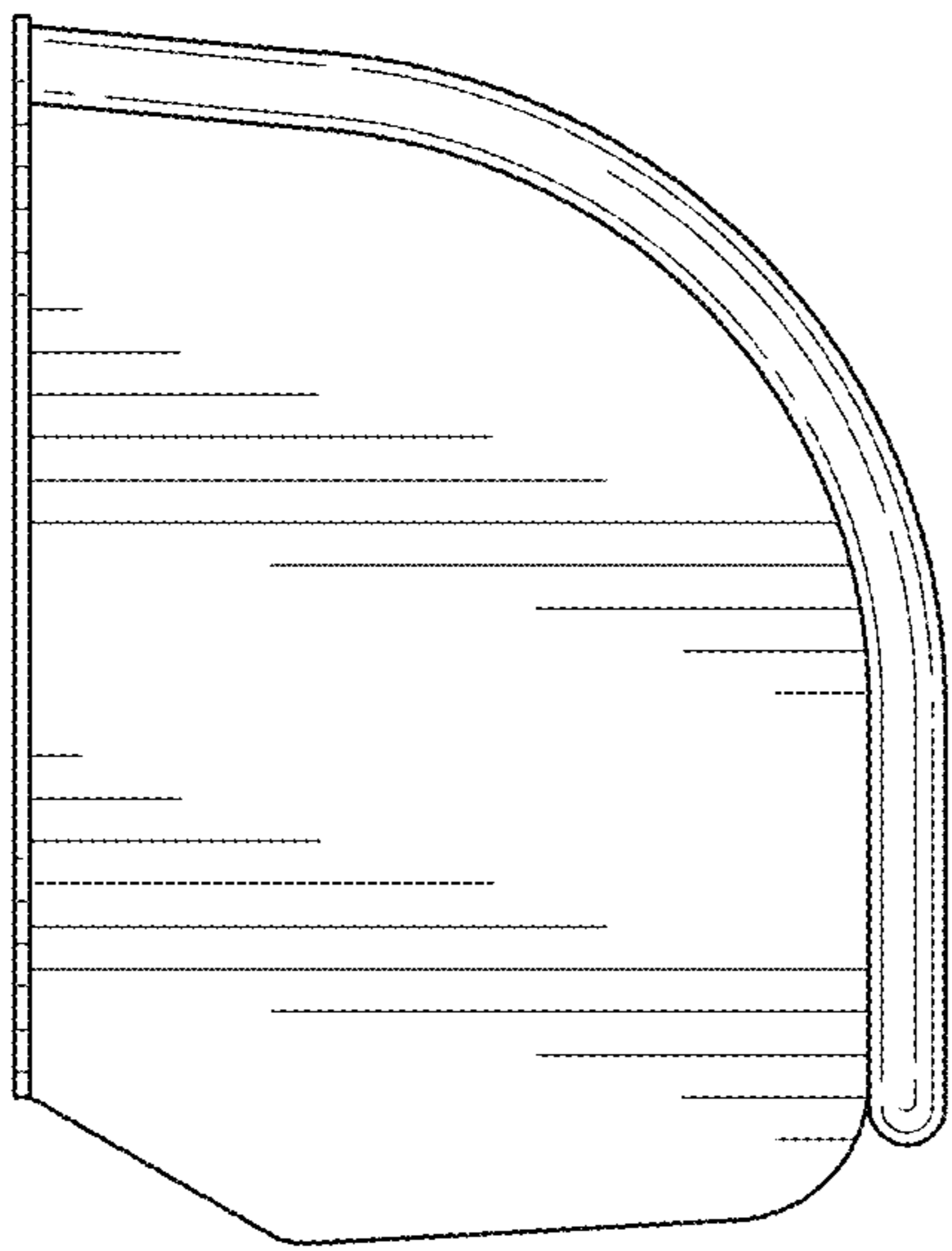


FIG. 8

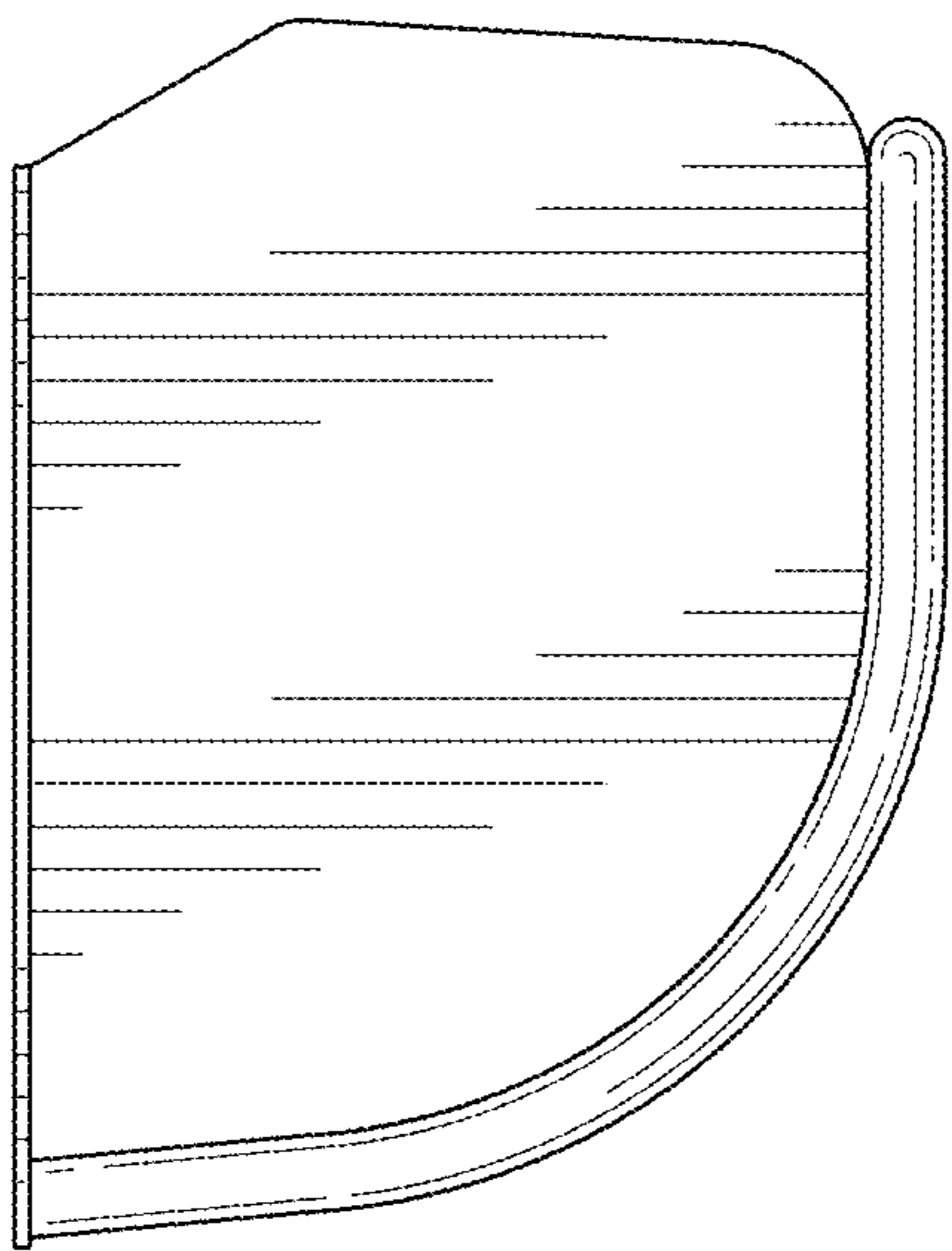


FIG. 7