



US00D680553S

(12) **United States Design Patent**  
**Wang et al.**

(10) **Patent No.:** **US D680,553 S**  
(45) **Date of Patent:** **\*\* Apr. 23, 2013**

(54) **DISK PLAYER**

(75) Inventors: **Yen-Wen Wang**, Tu-Cheng (TW); **Li-Ni Liang**, Shenzhen (CN); **Xue-Feng Wan**, Shenzhen (CN); **Yun Wang**, Shenzhen (CN)

(73) Assignee: **Hon Hai Precision Industry Co., Ltd.**, New Taipei (TW)

(\*\*) Term: **14 Years**

(21) Appl. No.: **29/394,631**

(22) Filed: **Jun. 20, 2011**

(51) **LOC (9) Cl.** ..... **14-03**

(52) **U.S. Cl.**  
USPC ..... **D14/505**

(58) **Field of Classification Search** ..... D14/135,  
D14/157, 168, 188, 197-198, 257-258, 348,  
D14/356, 363, 365, 367-368, 498-511; 360/99.02,  
360/99.07; 369/75.11, 75.21, 77.11, 77.21;  
455/344, 347-351

See application file for complete search history.

(56) **References Cited**

**U.S. PATENT DOCUMENTS**

D512,700 S \* 12/2005 Sonoda ..... D14/506  
D521,475 S \* 5/2006 Dai et al. .... D14/505

D524,775 S \* 7/2006 Liu ..... D14/505  
D529,013 S \* 9/2006 Hsiung et al. .... D14/505  
D570,315 S \* 6/2008 Kaneko ..... D14/506  
D613,308 S \* 4/2010 Cho et al. .... D14/502  
D613,309 S \* 4/2010 Cho et al. .... D14/502  
D623,196 S \* 9/2010 Yagi ..... D14/505  
D626,568 S \* 11/2010 Yagi ..... D14/505  
D648,349 S \* 11/2011 Son et al. .... D14/502  
D654,091 S \* 2/2012 Son et al. .... D14/502

\* cited by examiner

*Primary Examiner* — Keli L Hill

(74) *Attorney, Agent, or Firm* — Altis Law Group, Inc.

(57) **CLAIM**

The ornamental design for a disk player, as shown and described.

**DESCRIPTION**

FIG. 1 is a perspective view of a disk player showing our design;

FIG. 2 is a front elevational view thereof;

FIG. 3 is a rear elevational view thereof;

FIG. 4 is a left side, elevational view thereof;

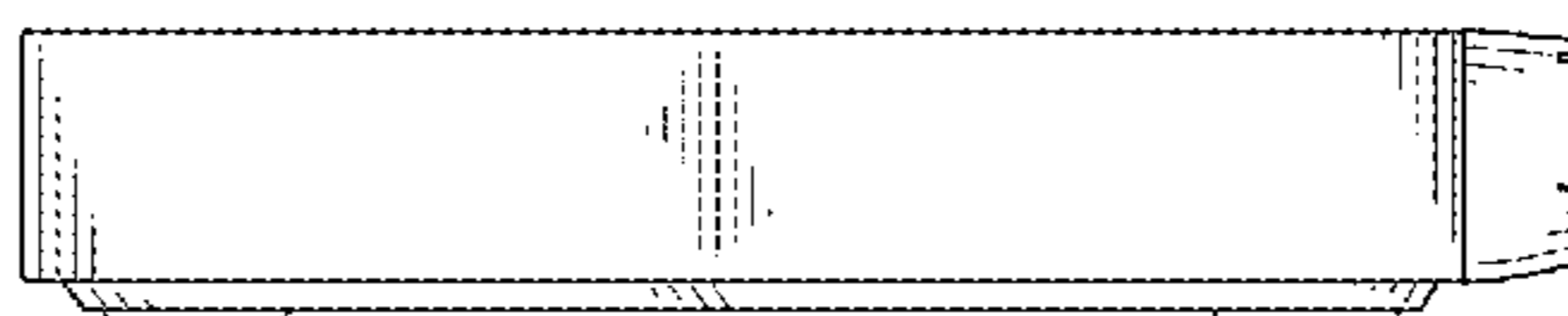
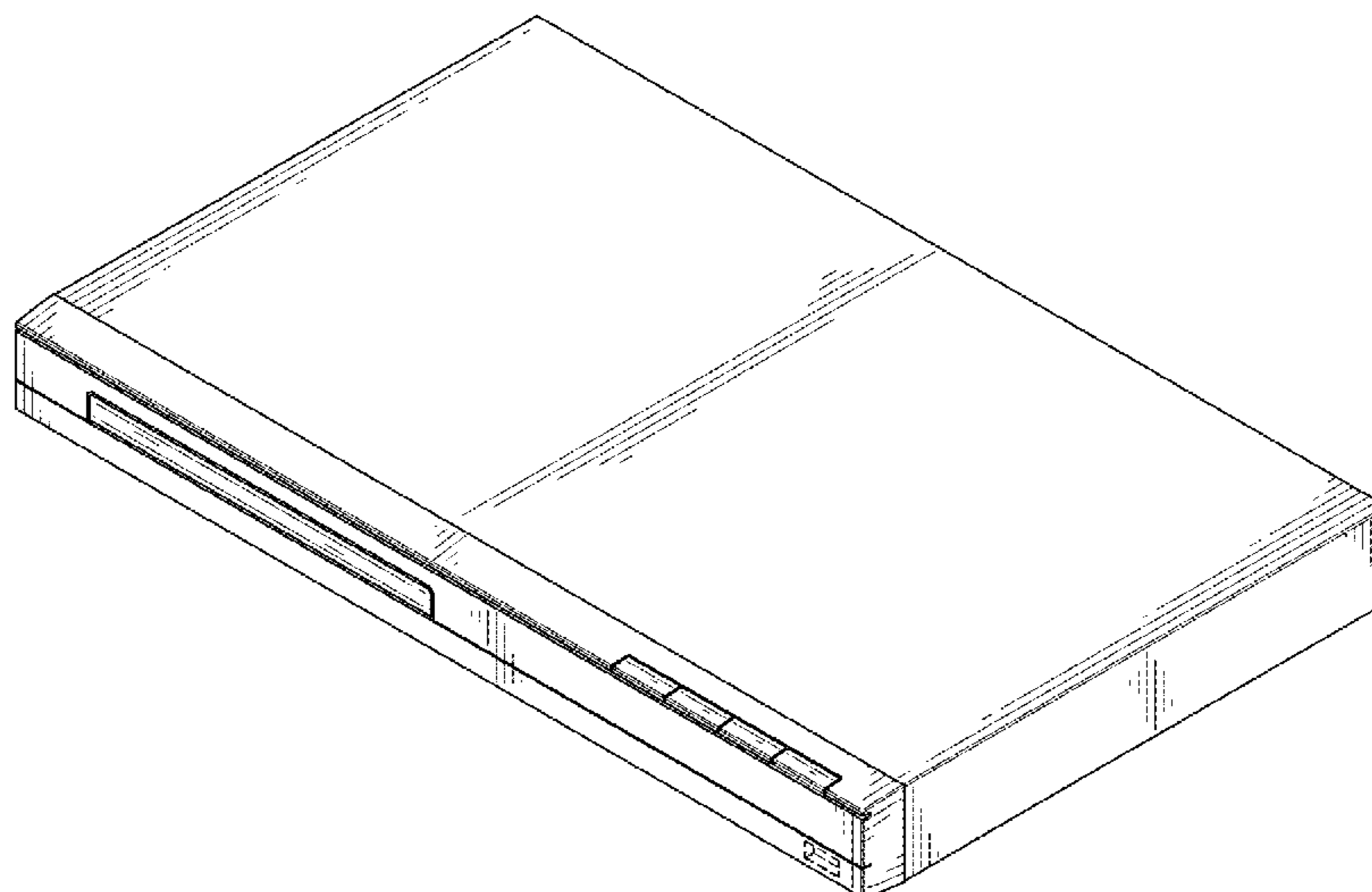
FIG. 5 is a right side, elevational view thereof;

FIG. 6 is a top plan view thereof; and,

FIG. 7 is a bottom plan view thereof.

The broken lines shown are included for the purpose of illustrating the unclaimed portions of the disk player and form no part of the claim.

**1 Claim, 7 Drawing Sheets**



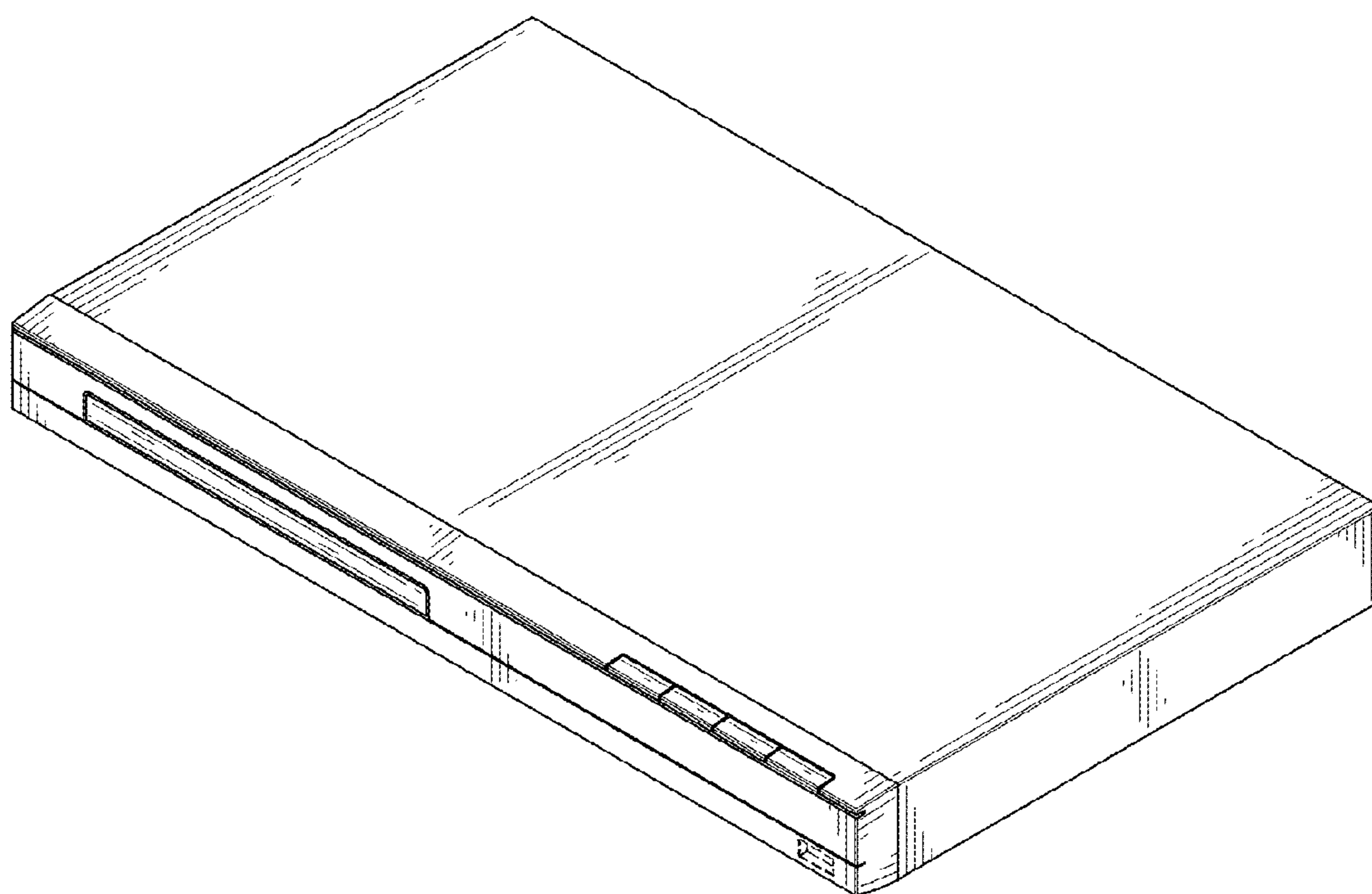


FIG. 1

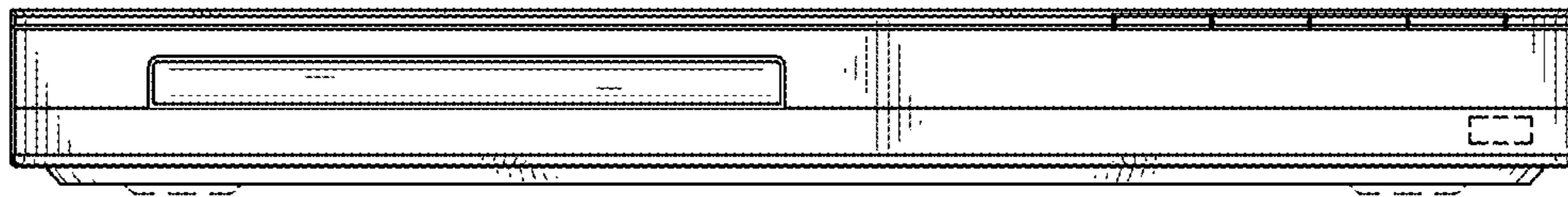


FIG. 2

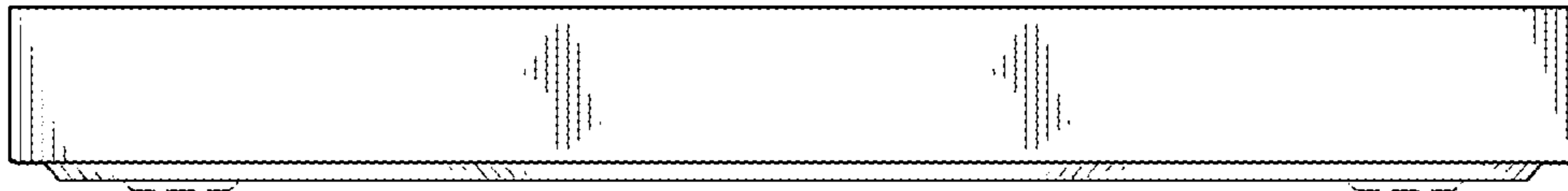


FIG. 3

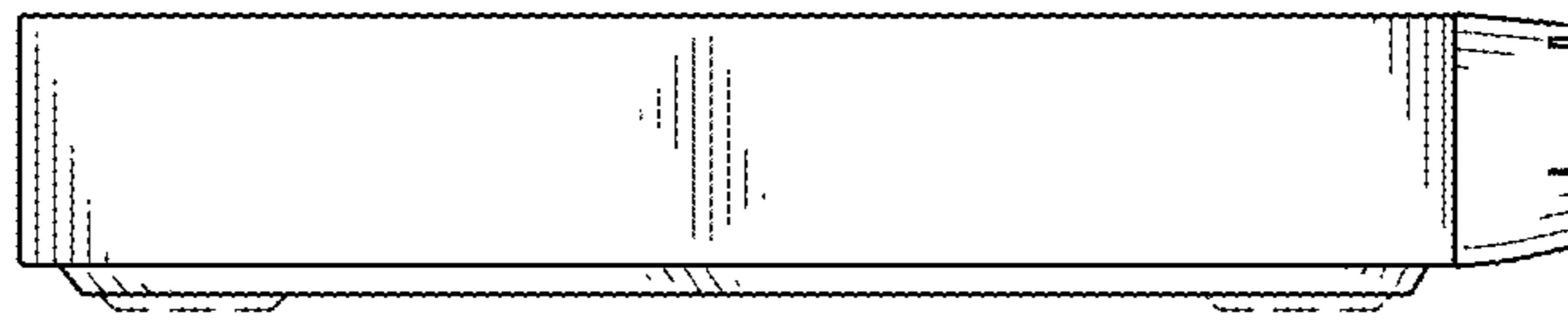


FIG. 4

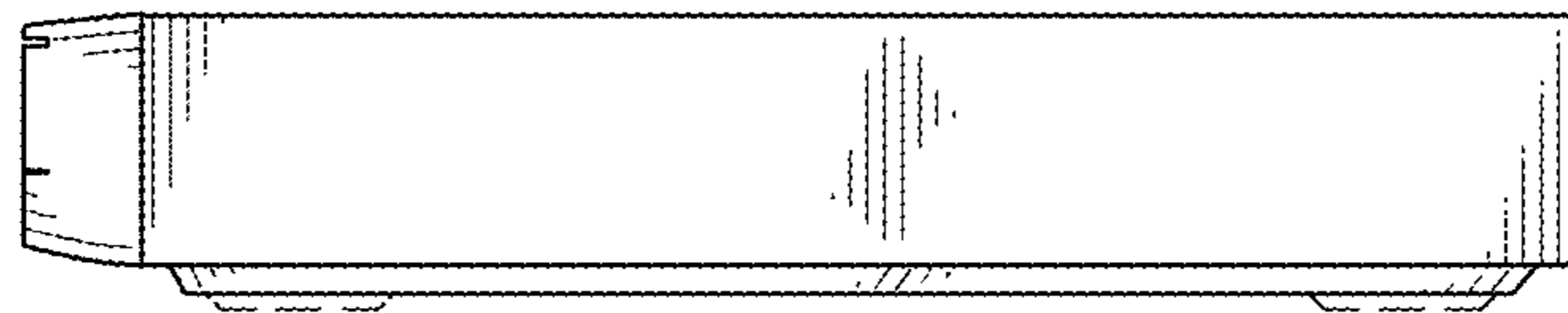


FIG. 5

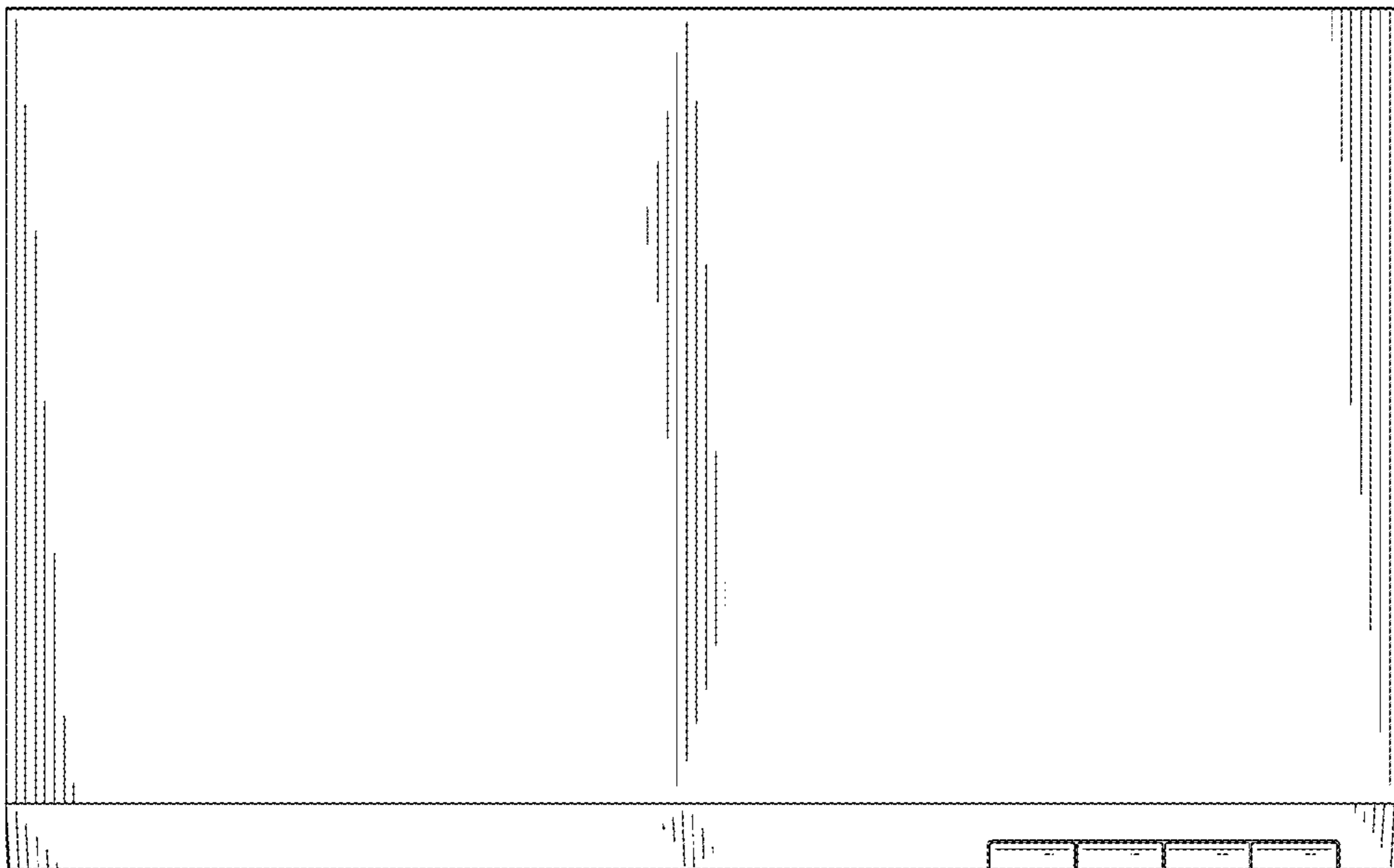


FIG. 6

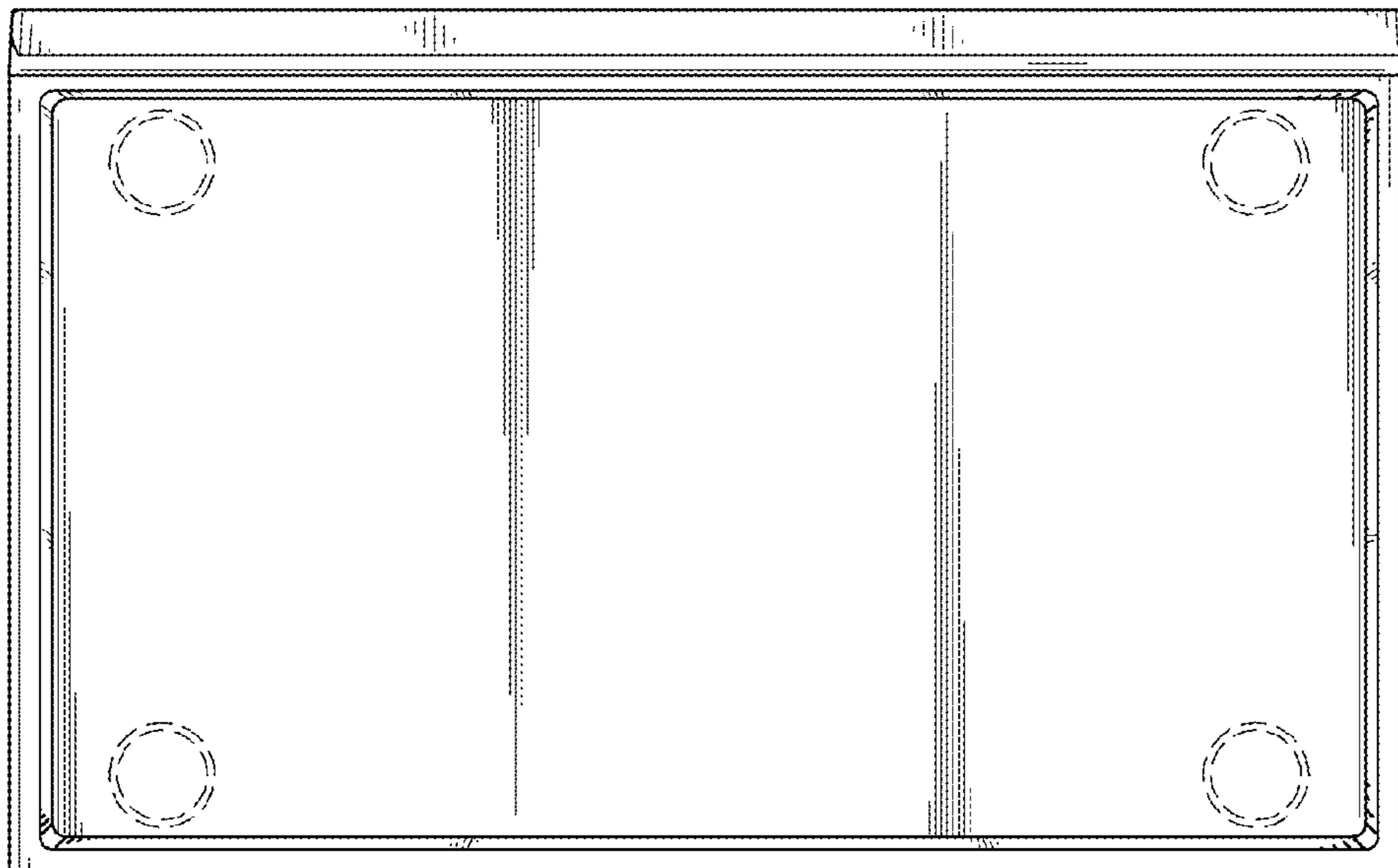


FIG. 7