



US00D680547S

(12) **United States Design Patent**
Williams et al.

(10) **Patent No.:** **US D680,547 S**

(45) **Date of Patent:** **** Apr. 23, 2013**

(54) **STAND**

(75) Inventors: **Don Williams**, Campbell, CA (US);
Peter K. Lee, San Jose, CA (US); **David**
N. Skinner, Redwood Shores, CA (US)

(73) Assignee: **Hewlett-Packard Development**
Company, L.P., Houston, TX (US)

(**) Term: **14 Years**

(21) Appl. No.: **29/430,874**

(22) Filed: **Aug. 30, 2012**

(51) **LOC (9) Cl.** **08-07**

(52) **U.S. Cl.**
USPC **D14/447**

(58) **Field of Classification Search** D14/447,
D14/448, 451, 452, 440, 432, 434, 439, 457,
D14/238.1, 217, 251, 252, 253, 239; D6/406.3,
D6/406.4, 406.5, 406.6; 361/679.09, 679.26,
361/679.27, 679.28, 679.29, 679.3, 679.55,
361/679.56; 248/917-924, 133, 136, 139,
248/150, 176.1, 188.6, 288.31

See application file for complete search history.

(56) **References Cited**

U.S. PATENT DOCUMENTS

D469,439 S * 1/2003 Bradley D14/434
D469,773 S * 2/2003 Bradley D14/434

D479,240 S * 9/2003 Bradley D14/434
D495,337 S * 8/2004 Zerman et al. D14/447
D575,293 S * 8/2008 Derry et al. D14/447
D620,941 S * 8/2010 Stacey et al. D14/447
D636,397 S * 4/2011 Green D14/447
D638,021 S * 5/2011 Derry D14/447
D652,045 S * 1/2012 Hong D14/447
D658,189 S * 4/2012 Zhao et al. D14/447
D659,147 S * 5/2012 Hu et al. D14/447
D668,256 S * 10/2012 Matteo D14/447
D672,782 S * 12/2012 Gross D14/447

* cited by examiner

Primary Examiner — Angela J Lee

(57) **CLAIM**

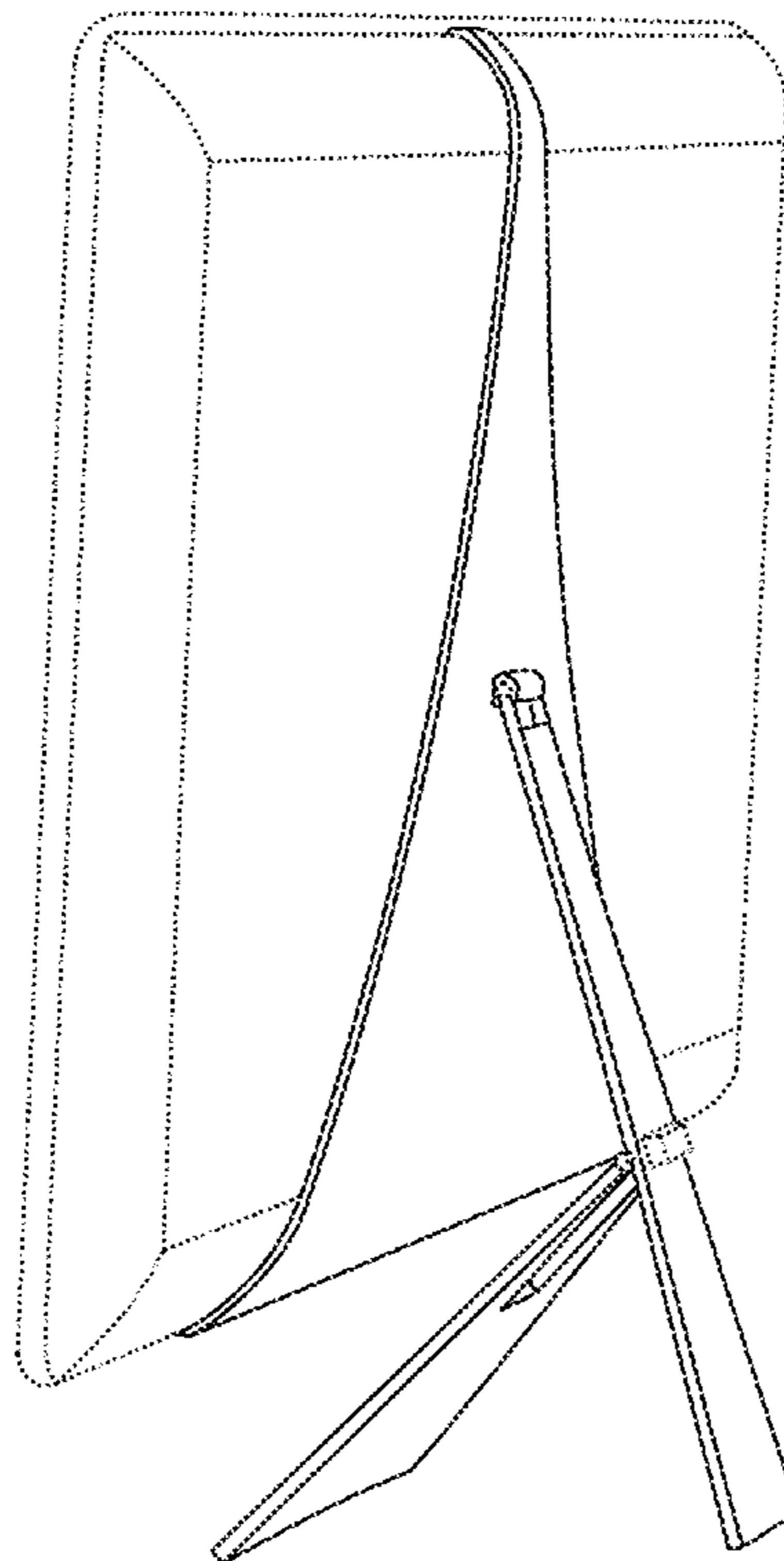
The ornamental design for a stand, as shown and described.

DESCRIPTION

FIG. 1 is a rear perspective view of a stand;
FIG. 2 is a side view thereof;
FIG. 3 is a side view thereof but shown in an alternate posi-
tion;
FIG. 4 is a side view thereof but shown in an another alternate
position;
FIG. 5 is a side perspective view thereof; and,
FIG. 6 is a front view of the stand.

The broken lines showing of various regions and the unshaded areas therein are for the purpose of illustrating the article and form no part of the claimed design.

1 Claim, 6 Drawing Sheets



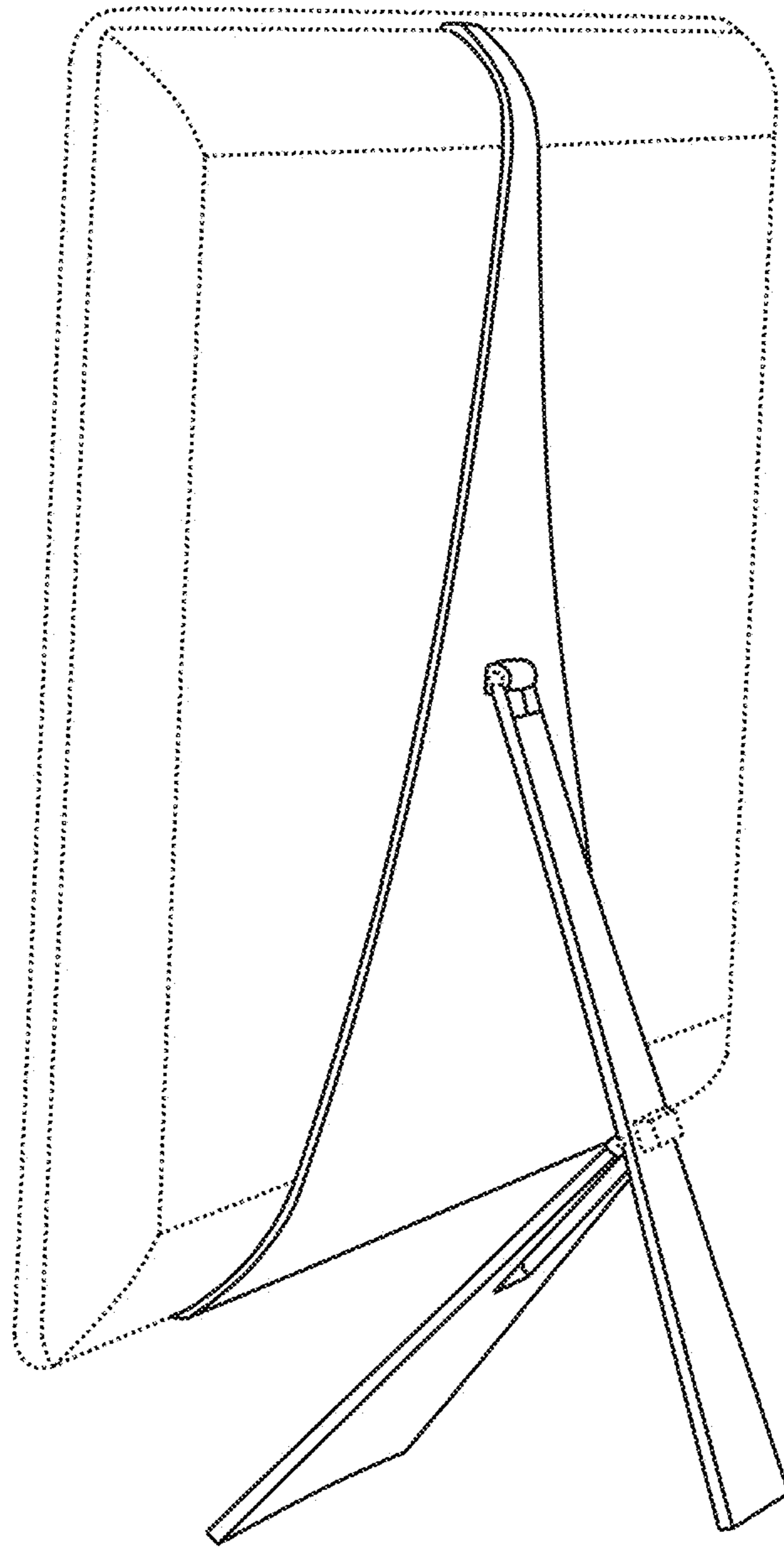


FIG. 1

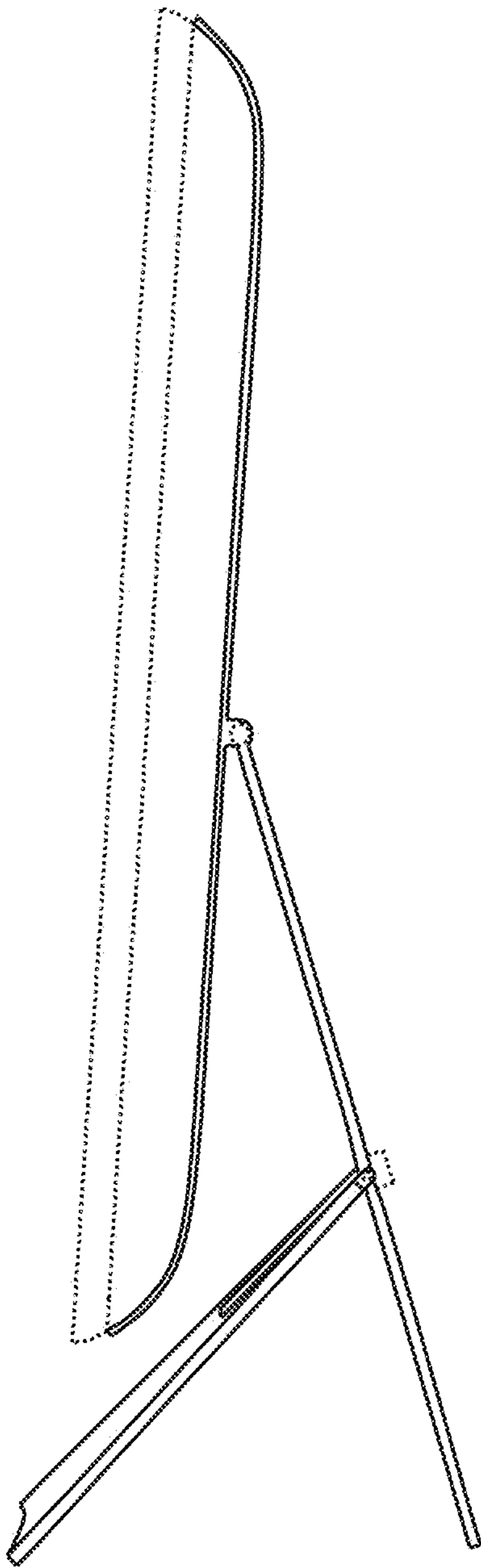


FIG. 2

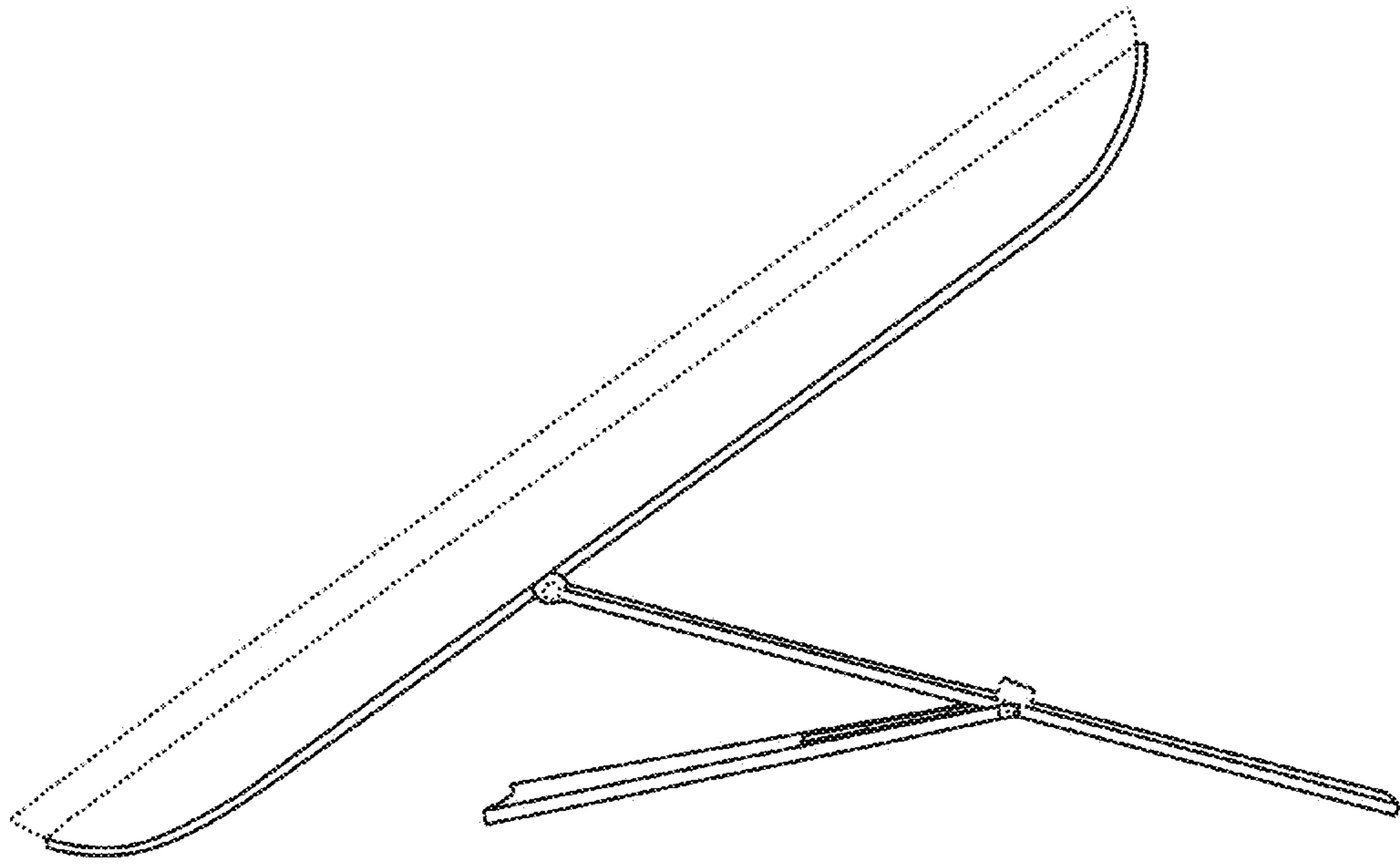


FIG. 3

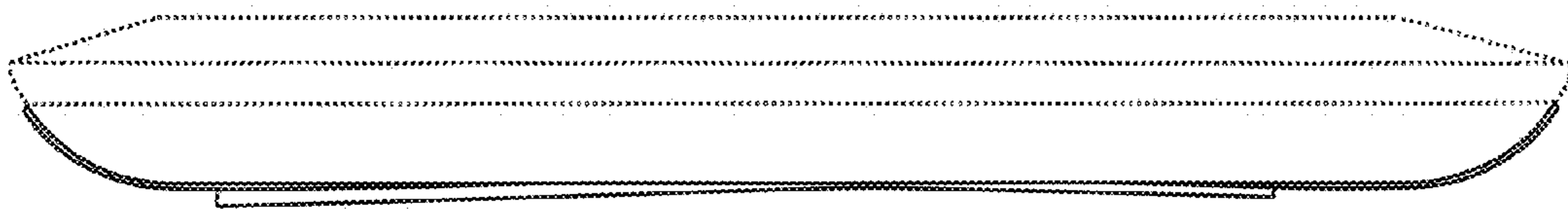


FIG. 4

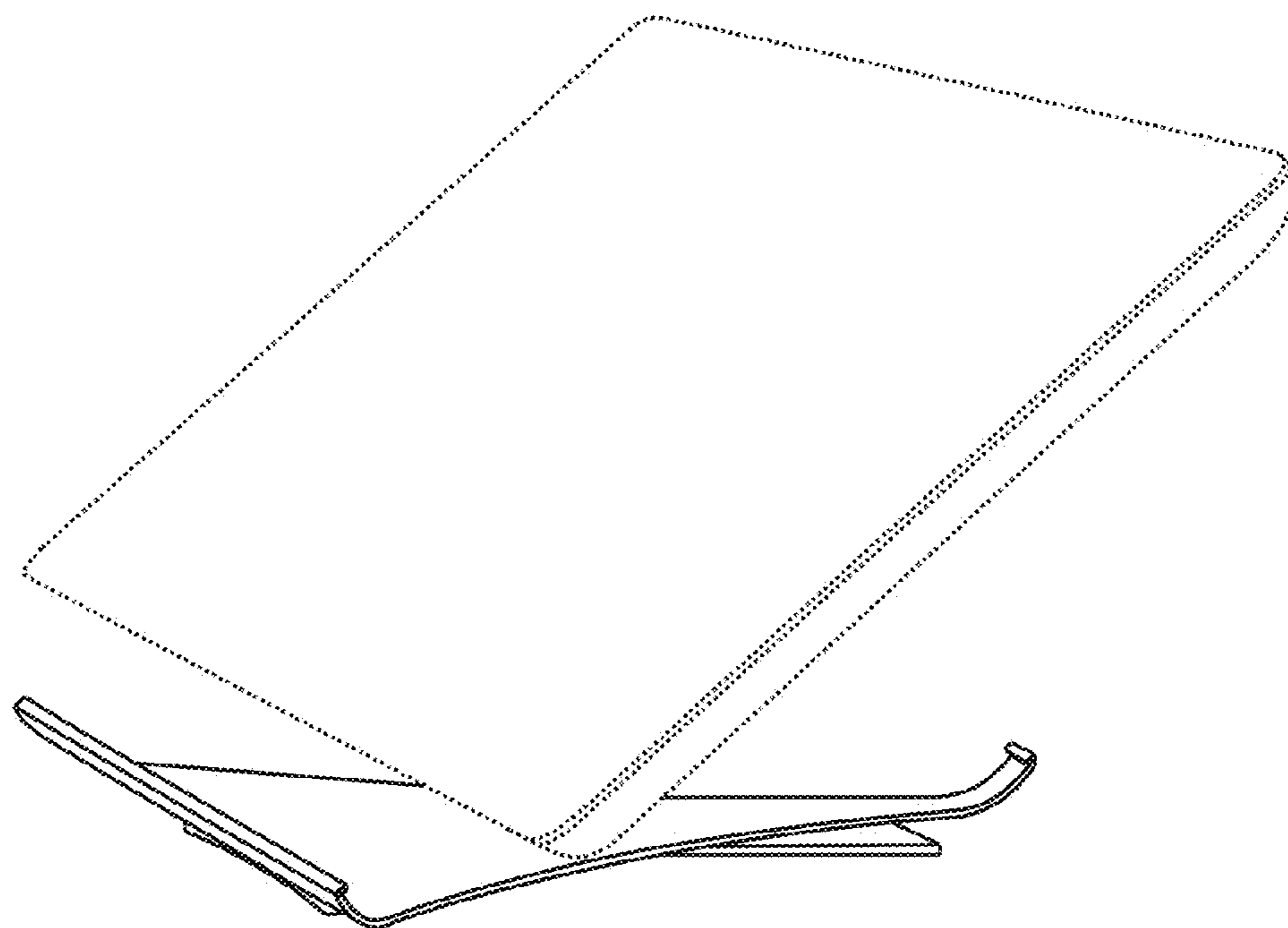


FIG. 5

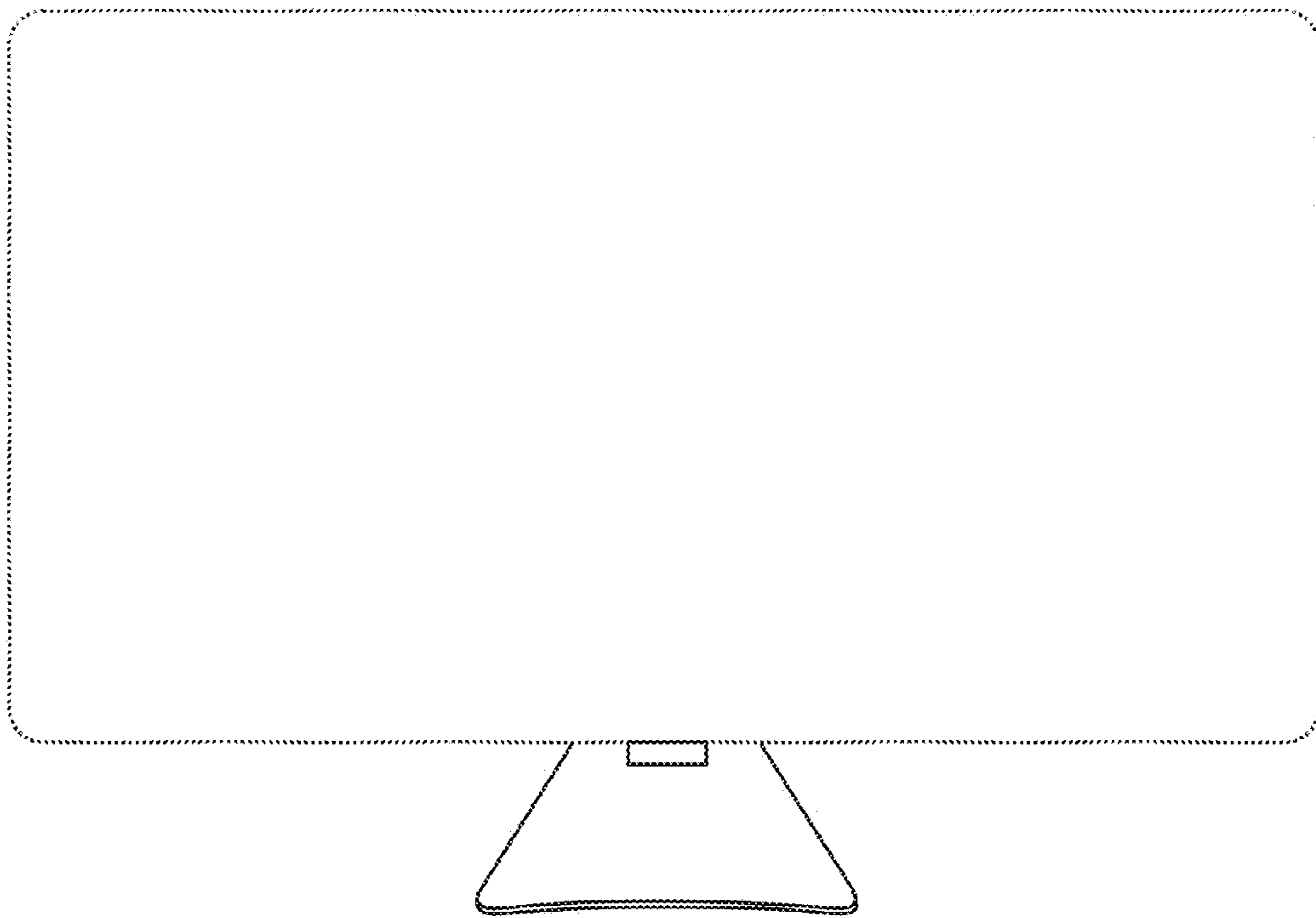


FIG. 6