



US00D680546S

(12) **United States Design Patent**
Tang et al.

(10) **Patent No.:** **US D680,546 S**
(45) **Date of Patent:** **** Apr. 23, 2013**

(54) **PROTECTIVE SHELL FOR AN ELECTRONIC DEVICE**

(75) Inventors: **Chiang-Kuo Tang**, Tu-Cheng (TW);
Qian-Kun Han, Shenzhen (CN)

(73) Assignee: **Hon Hai Precision Industry Co., Ltd.**,
New Taipei (TW)

(**) Term: **14 Years**

(21) Appl. No.: **29/388,178**

(22) Filed: **Mar. 24, 2011**

(51) **LOC (9) Cl.** **14-02**

(52) **U.S. Cl.**
USPC **D14/440**

(58) **Field of Classification Search** D14/250,
D14/251, 253, 240, 217, 496, 440, 203.3,
D14/203.4, 203.5, 203.8, 432, 439, 300;
D3/218, 215, 201; 220/4.02; 248/309.1;
361/679.56, 683, 679.09; 379/426, 433.11,
379/455; 455/575.1, 575.8; 190/100; 206/305,
206/320; 345/173

See application file for complete search history.

(56) **References Cited**

U.S. PATENT DOCUMENTS

D469,438 S * 1/2003 Corrales D14/432
7,542,052 B2 * 6/2009 Solomon et al. 345/659

D609,226 S * 2/2010 Hofer et al. D14/248
8,016,107 B2 * 9/2011 Emsky 206/320
D646,266 S * 10/2011 Kim et al. D14/250
D654,069 S * 2/2012 Kwon et al. D14/250
8,132,670 B1 * 3/2012 Chen 206/320
D659,139 S * 5/2012 Gengler D14/392
D662,503 S * 6/2012 Akana et al. D14/439
D665,809 S * 8/2012 Wang et al. D14/439
8,245,843 B1 * 8/2012 Wu 206/320
2010/0289390 A1 * 11/2010 Kenney 312/223.1

* cited by examiner

Primary Examiner — Cynthia Underwood

(74) *Attorney, Agent, or Firm* — Altis Law Group, Inc.

(57) **CLAIM**

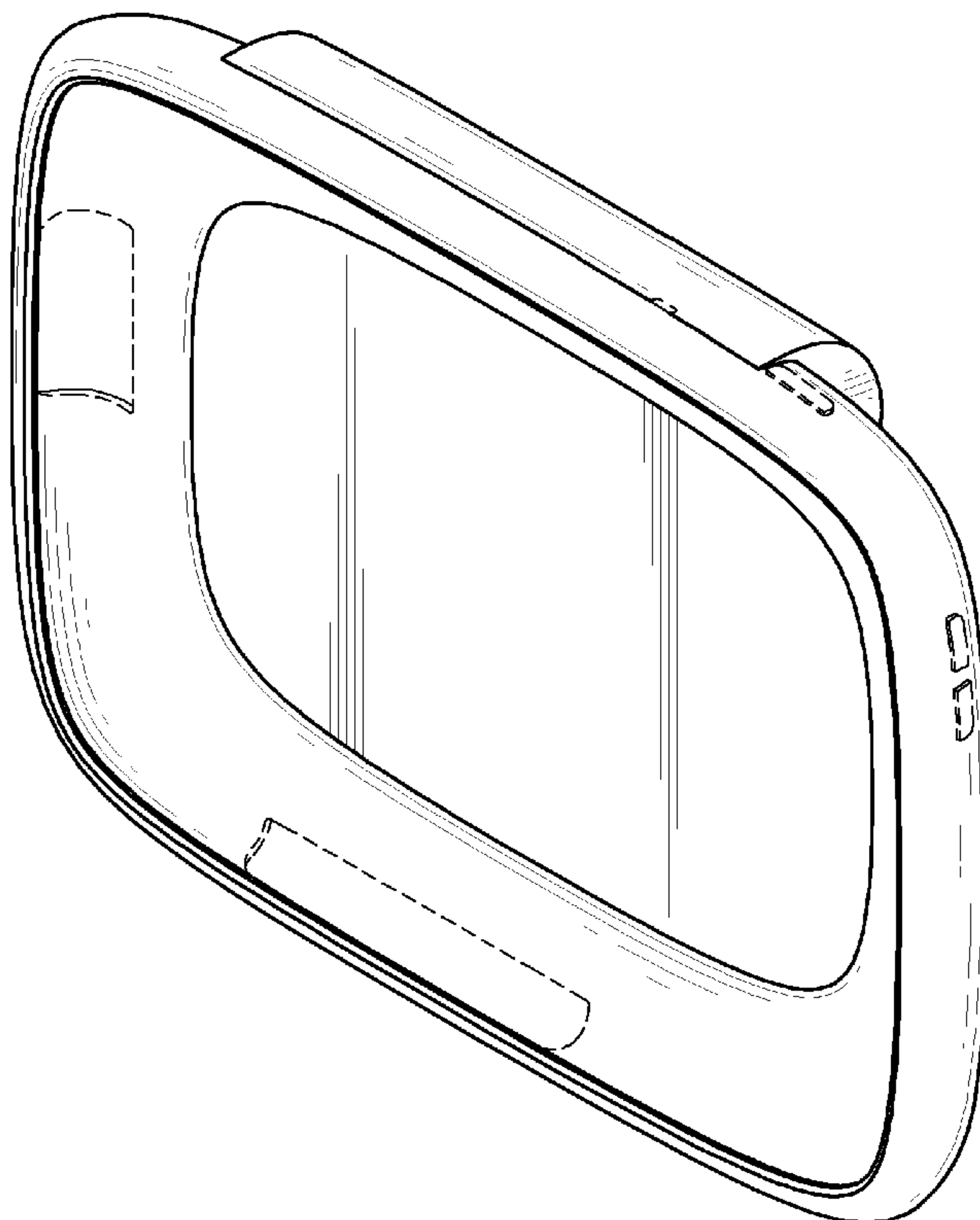
The ornamental design for a protective shell for an electronic device, as shown and described.

DESCRIPTION

FIG. 1 is a perspective view of a protective shell of an electronic reader showing our new design;
FIG. 2 is a front elevational view thereof;
FIG. 3 is a rear elevational view thereof;
FIG. 4 is a left side elevational view thereof;
FIG. 5 is a right side elevational view thereof;
FIG. 6 is a top plan view thereof; and,
FIG. 7 is a bottom plan view thereof.

The broken lines are included to show environmental structure only and form no part of the claimed design.

1 Claim, 7 Drawing Sheets



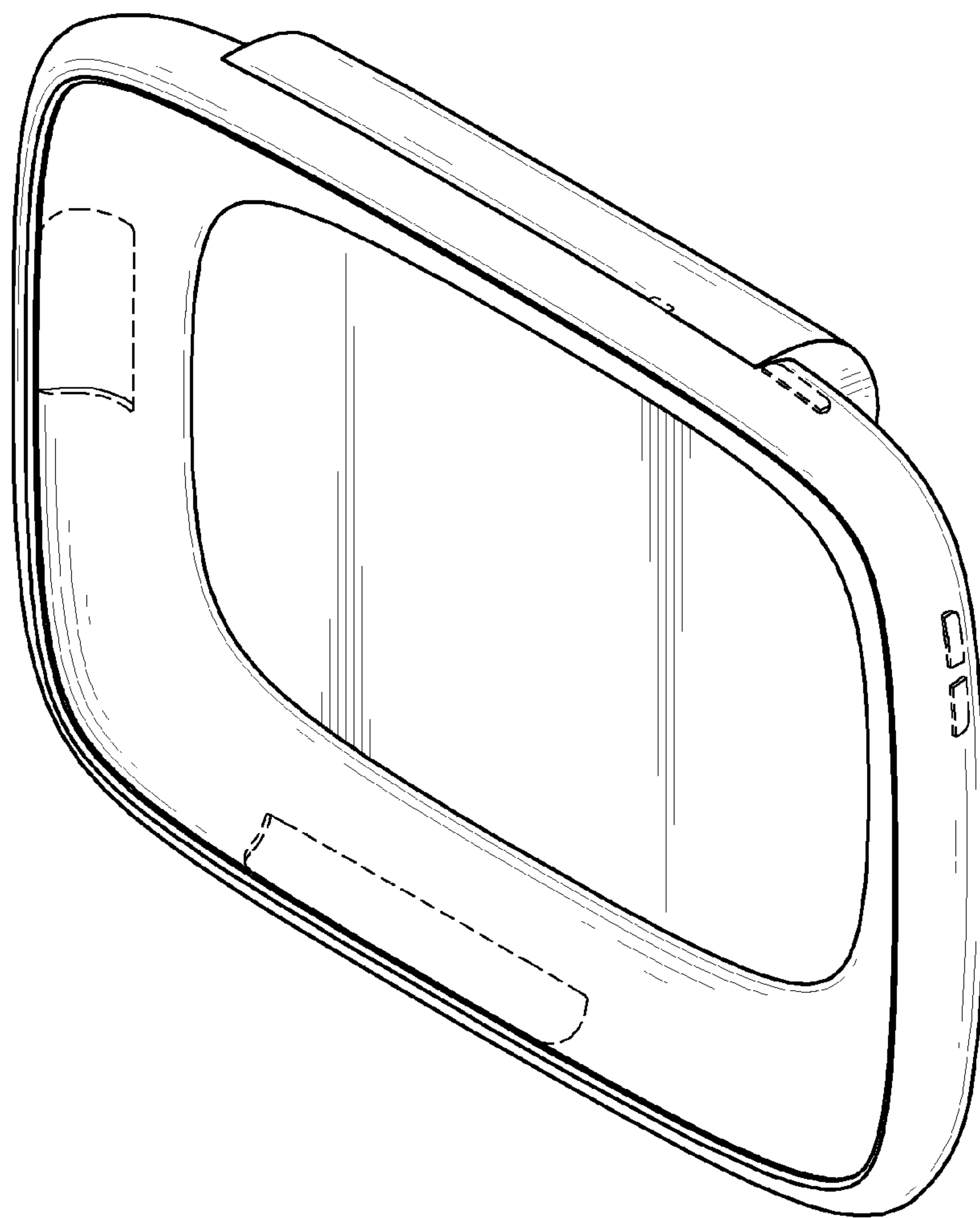


FIG. 1

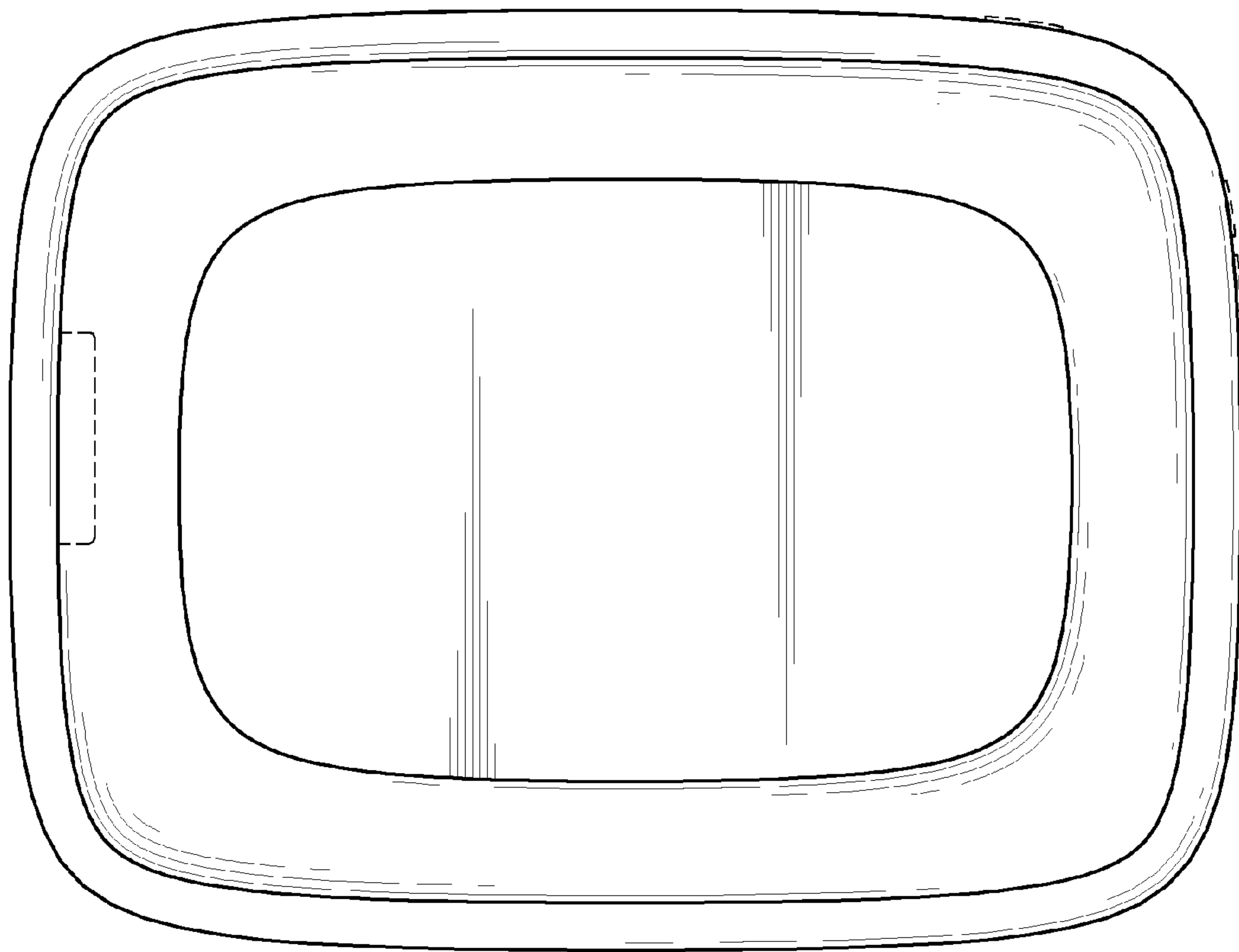


FIG. 2

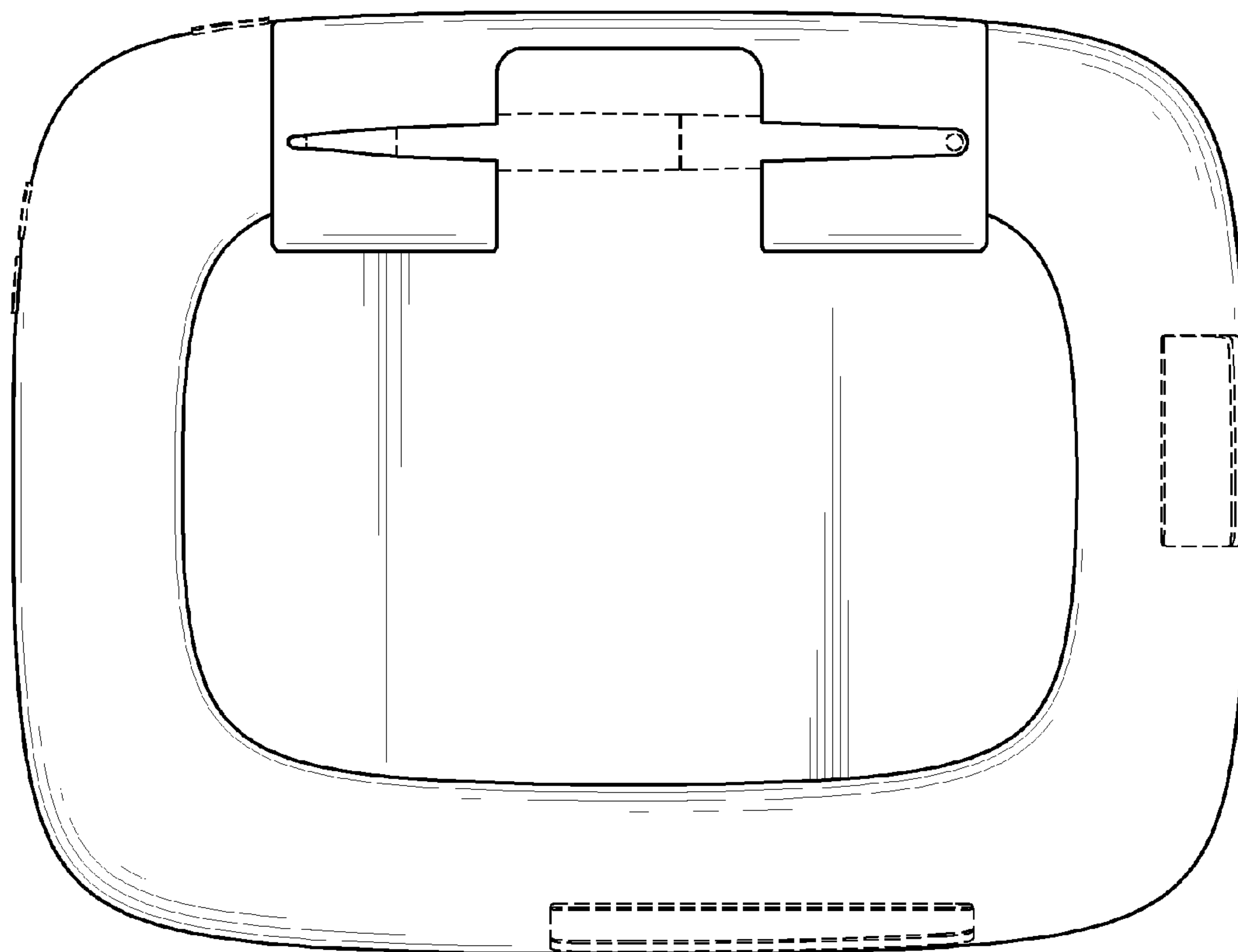


FIG. 3

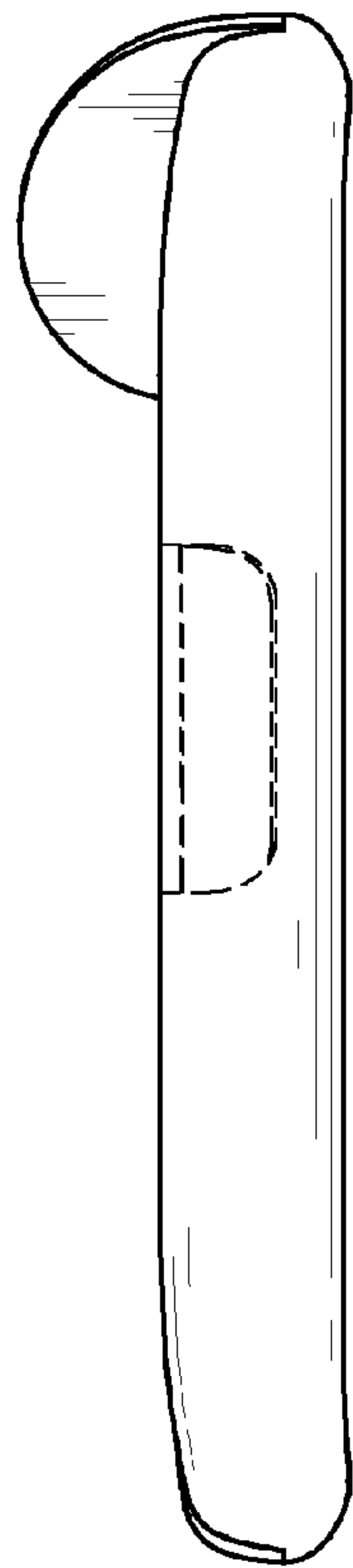


FIG. 4

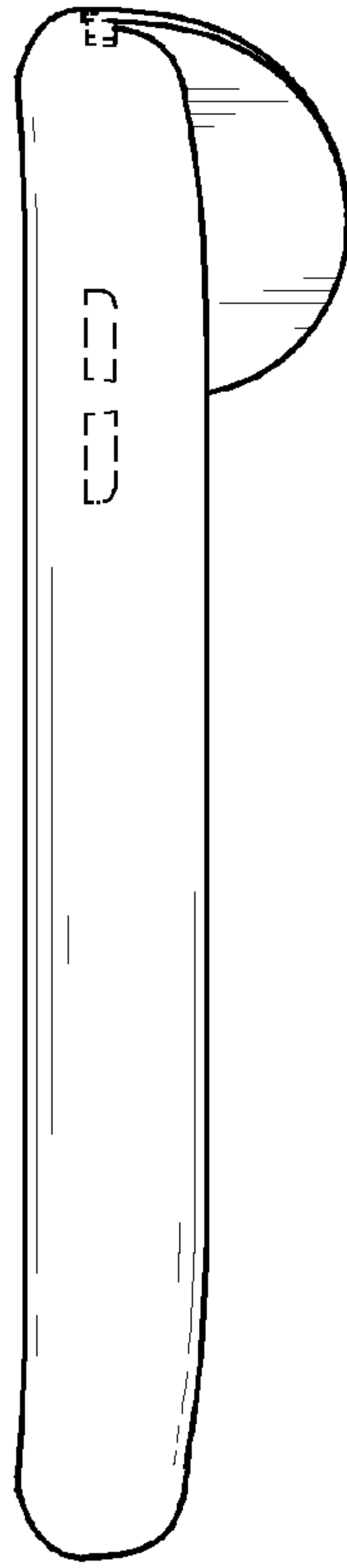


FIG. 5

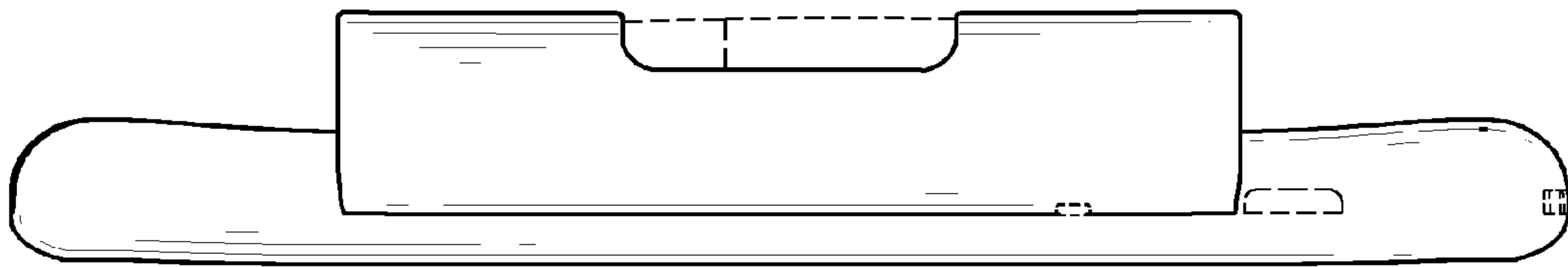


FIG. 6

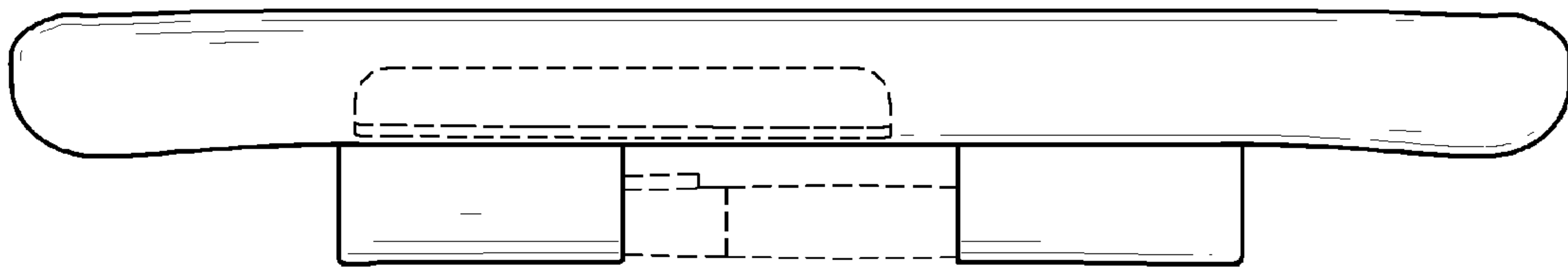


FIG. 7