



US00D680544S

(12) **United States Design Patent**  
**Akana et al.**

(10) **Patent No.:** **US D680,544 S**

(45) **Date of Patent:** **\*\* Apr. 23, 2013**

(54) **DOCKING STATION**

341/22, 23; 400/484-489, 492, 472; 361/679.08,  
361/679.09, 679.4, 679.41, 679.31, 679.32,  
361/679.43, 679.55; D13/107, 108

(75) Inventors: **Jody Akana**, San Francisco, CA (US);  
**Bartley K. Andre**, Menlo Park, CA  
(US); **Jeremy Bataillou**, San Francisco,  
CA (US); **Daniel J. Coster**, San  
Francisco, CA (US); **Daniele De Iuliis**,  
San Francisco, CA (US); **M. Evans**  
**Hankey**, San Francisco, CA (US);  
**Richard P. Howarth**, San Francisco, CA  
(US); **Jonathan P. Ive**, San Francisco,  
CA (US); **Duncan Robert Kerr**, San  
Francisco, CA (US); **Shin Nishibori**,  
Kailua, HI (US); **Matthew Dean**  
**Rohrbach**, San Francisco, CA (US);  
**Peter Russell-Clarke**, San Francisco,  
CA (US); **Christopher J. Stringer**,  
Woodside, CA (US); **Eugene Antony**  
**Whang**, San Francisco, CA (US); **Rico**  
**Zorkendorfer**, San Francisco, CA (US)

See application file for complete search history.

(56) **References Cited**

U.S. PATENT DOCUMENTS

5,085,394 A 2/1992 Torii  
5,128,662 A \* 7/1992 Failla ..... 345/1.3

(Continued)

OTHER PUBLICATIONS

Images of Sony X505 Keyboard, available at lease as early as May 8,  
2005. 4 pages.

(Continued)

*Primary Examiner* — Freda S Nunn

(74) *Attorney, Agent, or Firm* — Sterne, Kessler, Goldstein  
& Fox P.L.L.C.

(73) Assignee: **Apple Inc.**, Cupertino, CA (US)

(\*\*) Term: **14 Years**

(21) Appl. No.: **29/432,390**

(22) Filed: **Sep. 14, 2012**

(57) **CLAIM**

The ornamental design for a docking station, as shown and  
described.

**DESCRIPTION**

**Related U.S. Application Data**

(63) Continuation of application No. 29/417,701, filed on  
Apr. 6, 2012, now Pat. No. Des. 669,477, which is a  
continuation of application No. 29/404,658, filed on  
Oct. 24, 2011, now Pat. No. Des. 659,143, which is a  
continuation of application No. 29/353,323, filed on  
Jan. 6, 2010, now Pat. No. Des. 648,725.

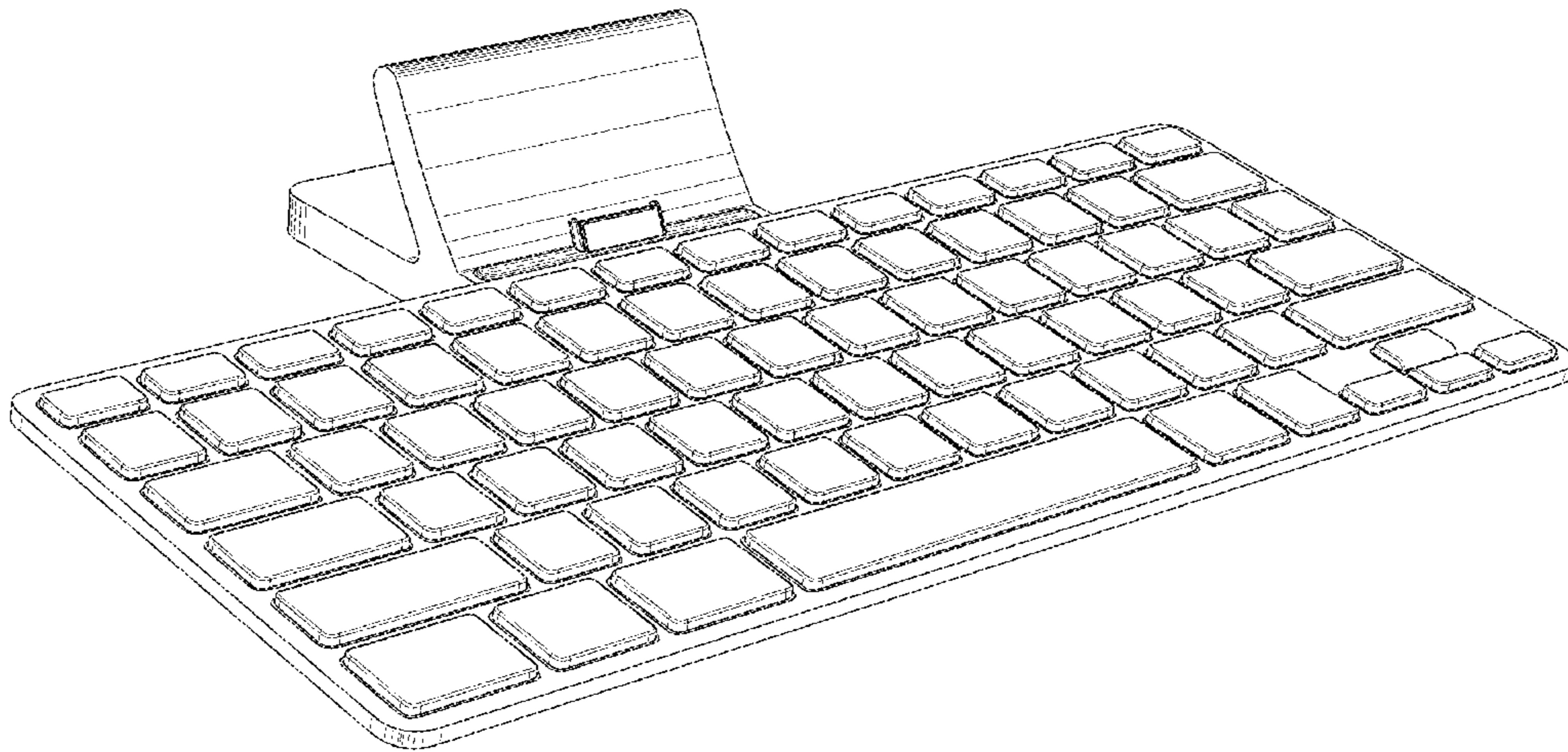
(51) **LOC (9) Cl.** ..... **14-02**

(52) **U.S. Cl.**  
USPC ..... **D14/434; D14/391; D14/455**

(58) **Field of Classification Search** ..... D14/391-399,  
D14/385, 434, 455, 217; D18/1, 2, 7, 11;  
178/17 A, 17 C; 200/5 A, 5 R, 6 A, 6 R;  
235/145 A, 145 R; 345/160, 168, 169; 341/20,

FIG. 1 is a top front perspective view of a docking station  
showing our new design;  
FIG. 2 is a bottom front perspective view thereof;  
FIG. 3 is a top rear perspective view thereof;  
FIG. 4 is a bottom rear perspective view thereof  
FIG. 5 is a top plan view thereof;  
FIG. 6 is a bottom plan view thereof;  
FIG. 7 is a front view thereof;  
FIG. 8 is rear view thereof;  
FIG. 9 is a side view thereof; and,  
FIG. 10 is another side view thereof.  
The shade lines in the Figures show contour and not surface  
ornamentation.

**1 Claim, 8 Drawing Sheets**



# US D680,544 S

Page 2

---

## U.S. PATENT DOCUMENTS

6,108,200 A \* 8/2000 Fullerton ..... 361/679.12  
6,657,853 B2 \* 12/2003 Oba et al. .... 312/223.2  
D486,488 S \* 2/2004 Olodort et al. .... D14/396  
6,856,507 B2 \* 2/2005 Chen et al. .... 361/679.09  
6,992,882 B2 \* 1/2006 Wang ..... 361/679.57  
6,999,008 B2 \* 2/2006 Wang et al. .... 341/22  
7,068,496 B2 \* 6/2006 Wong et al. .... 361/679.28  
D545,821 S \* 7/2007 Eroma et al. .... D14/393  
D572,246 S 7/2008 Andre et al.  
D599,792 S \* 9/2009 Lin ..... D14/331  
D604,300 S 11/2009 Andre et al.  
D612,843 S 3/2010 Andre et al.

D612,844 S 3/2010 Andre et al.  
D616,886 S 6/2010 Andre et al.  
D628,562 S 12/2010 Akana et al.  
D648,725 S \* 11/2011 Akana et al. .... D14/434  
D659,143 S \* 5/2012 Akana et al. .... D14/434  
D669,477 S \* 10/2012 Akana et al. .... D14/434

## OTHER PUBLICATIONS

Images of Sony VAIO PCG-4G1L, available at lease as early as May 8, 2006. 8 pages.

\* cited by examiner

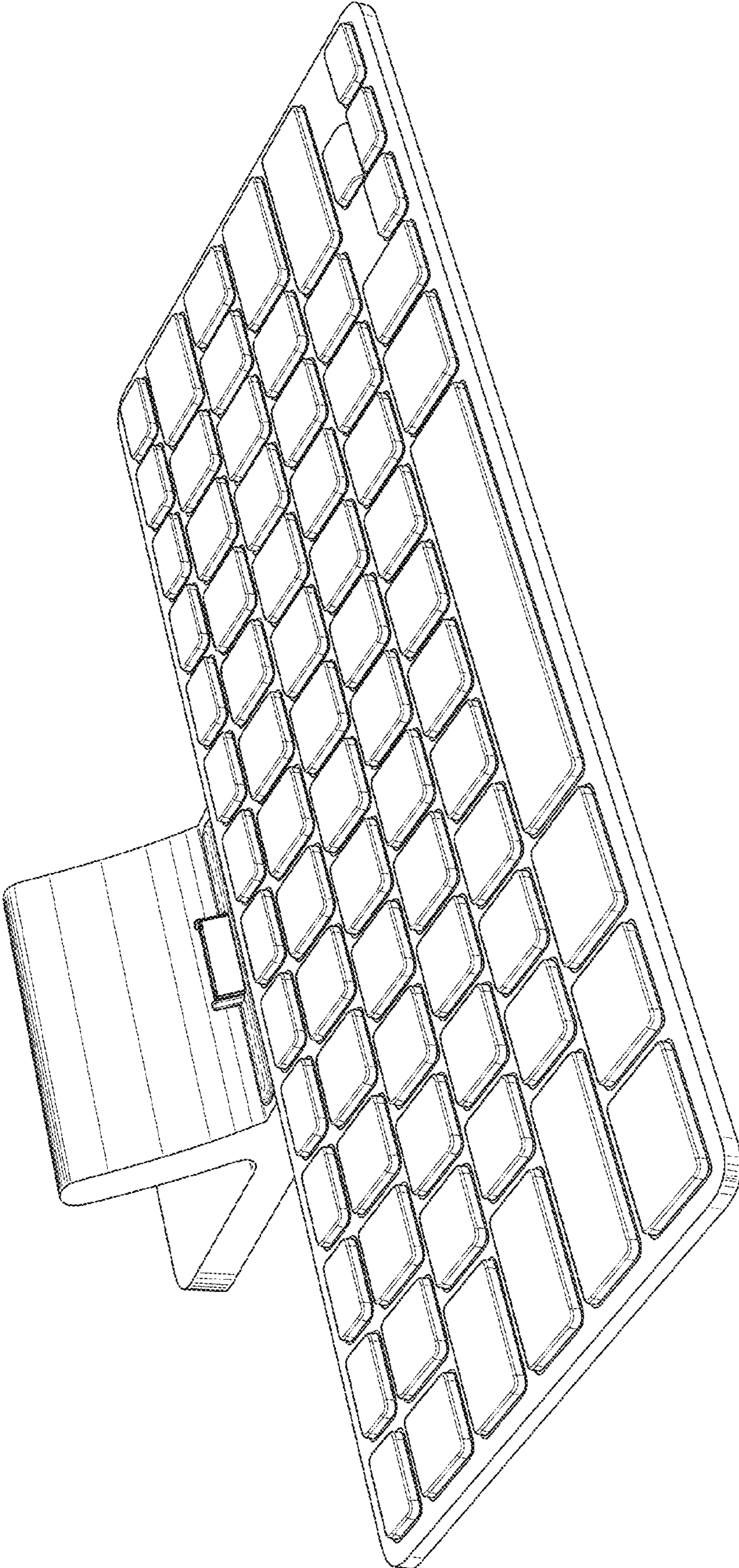


FIG. 1

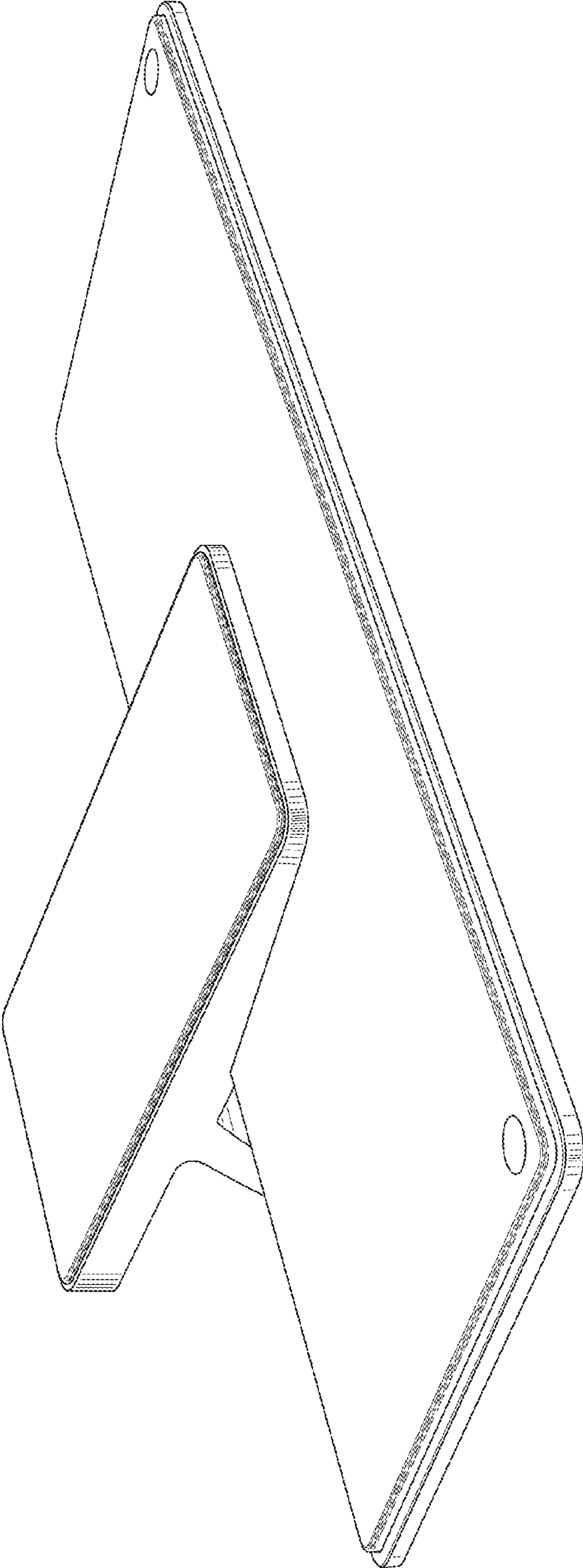


FIG. 2

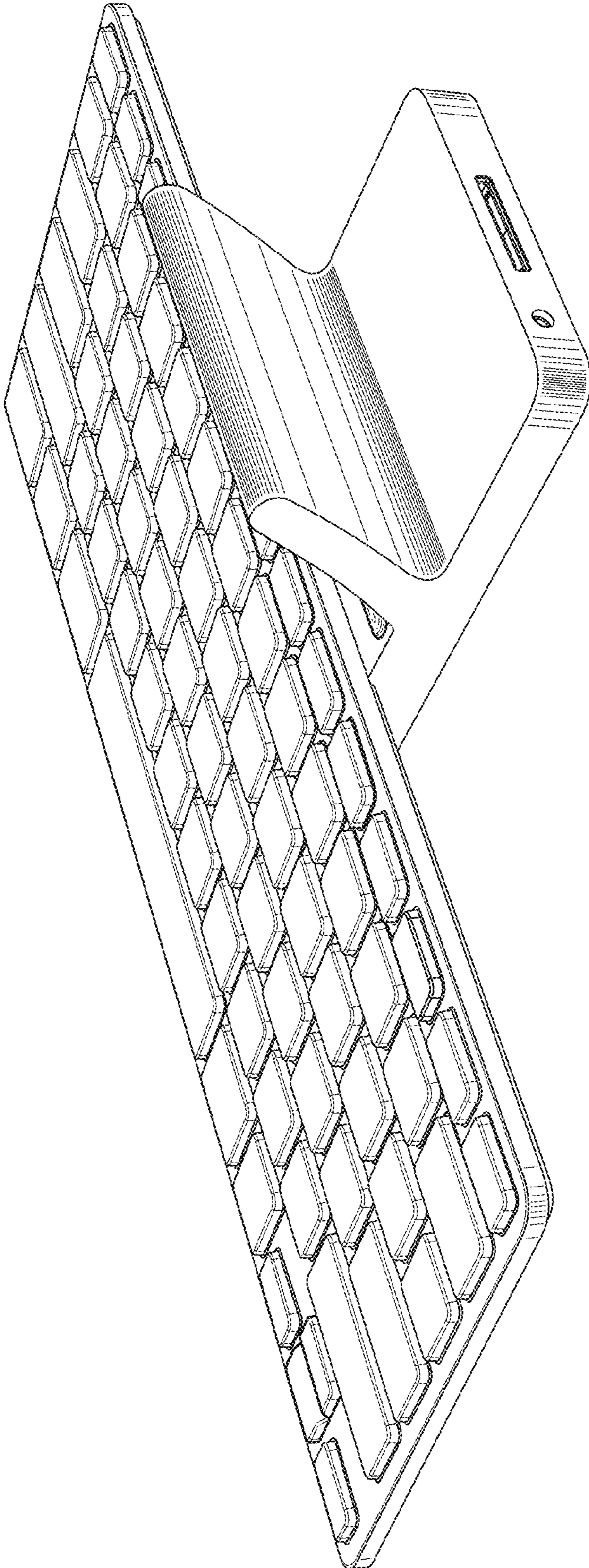


FIG. 3

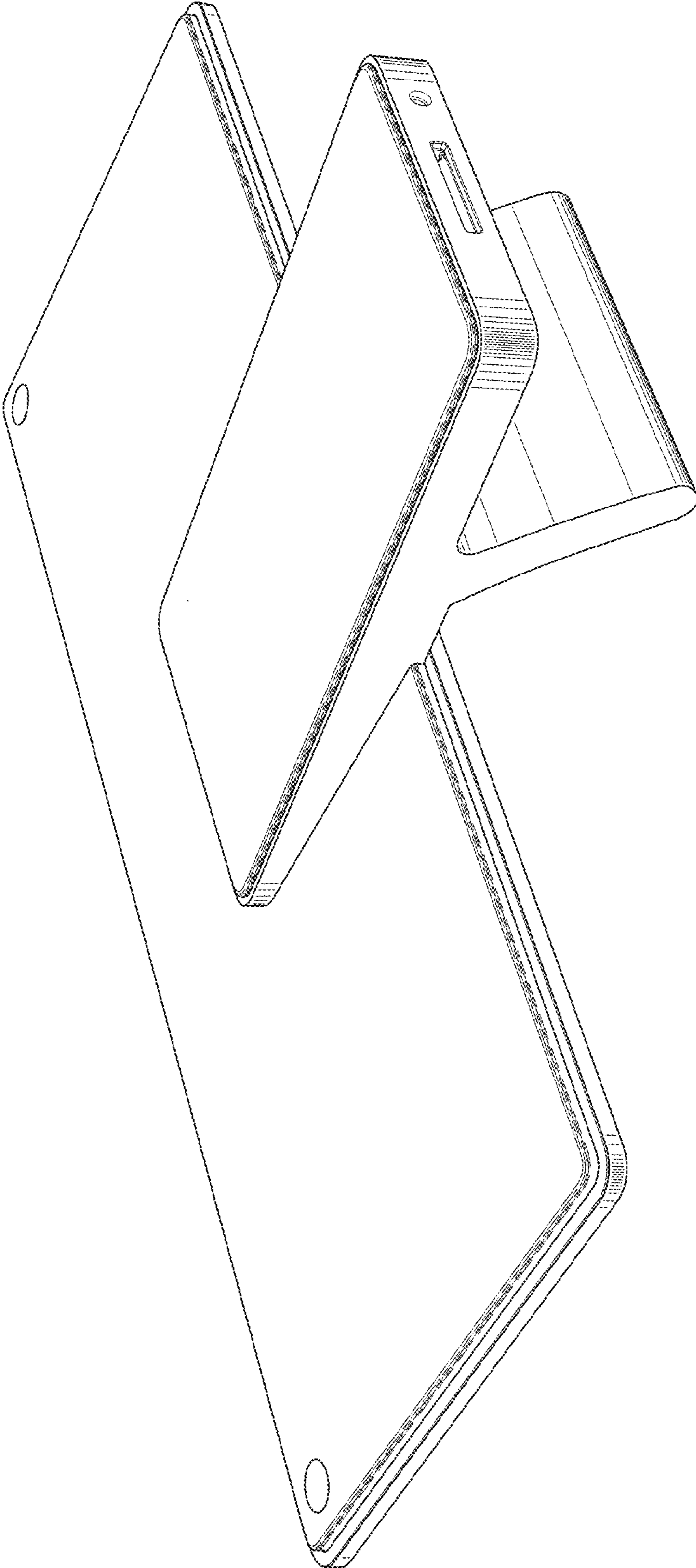


FIG. 4

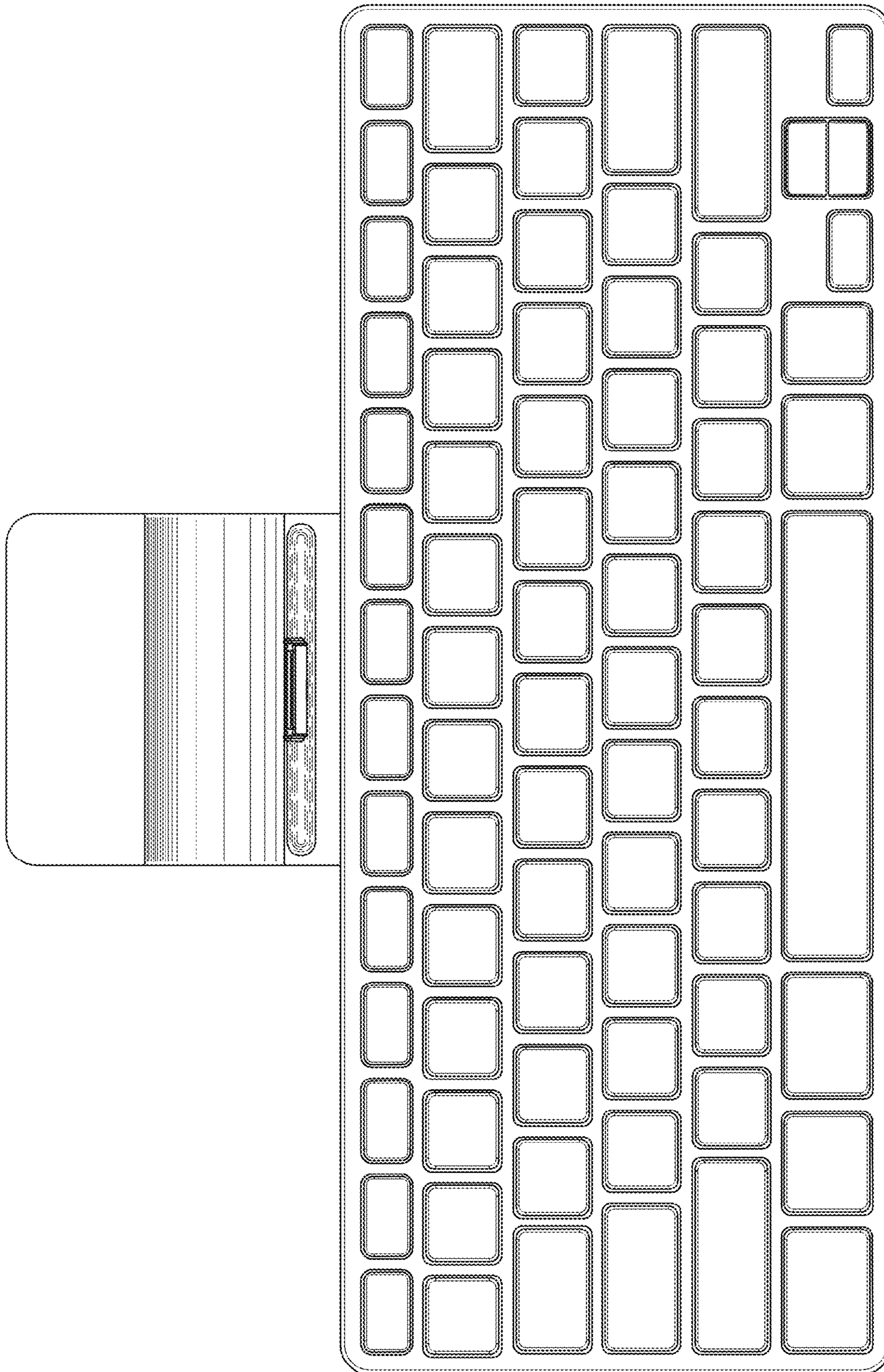


FIG. 5

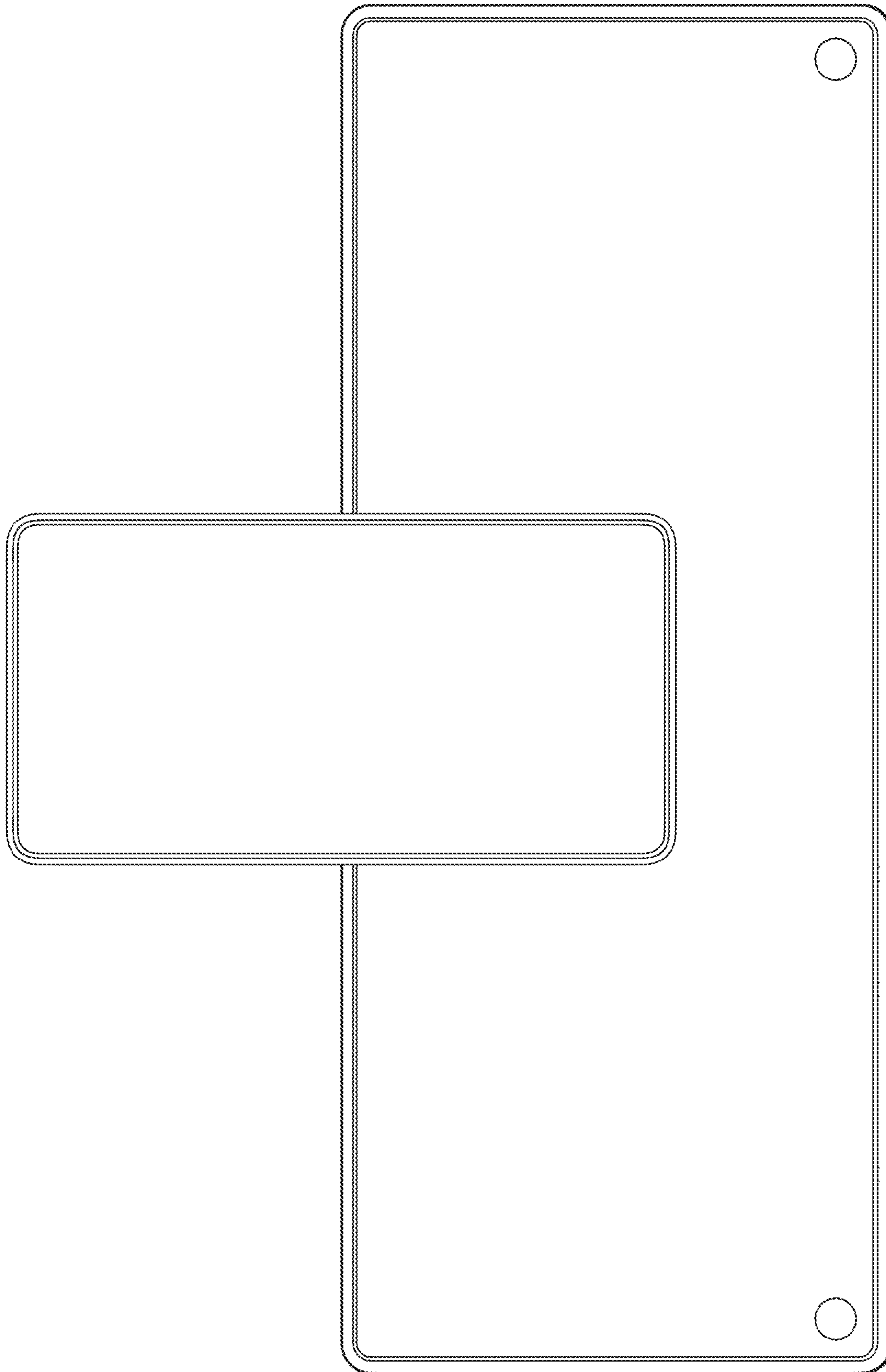


FIG. 6



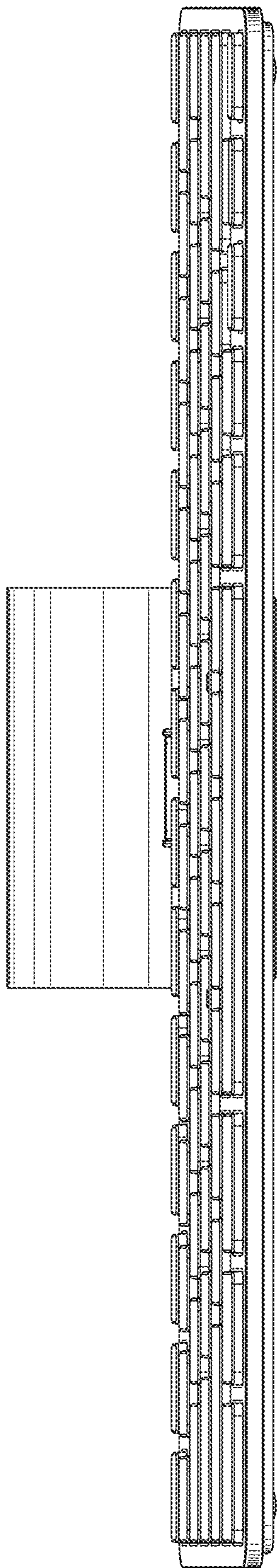


FIG. 7

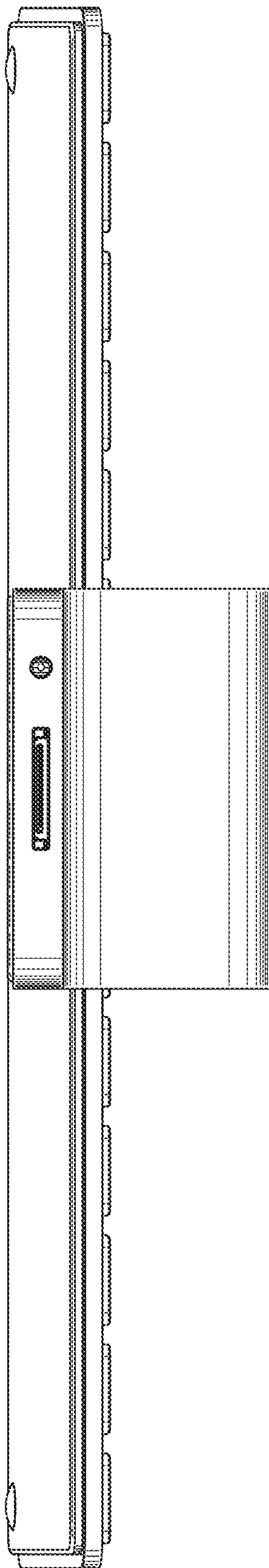


FIG. 8

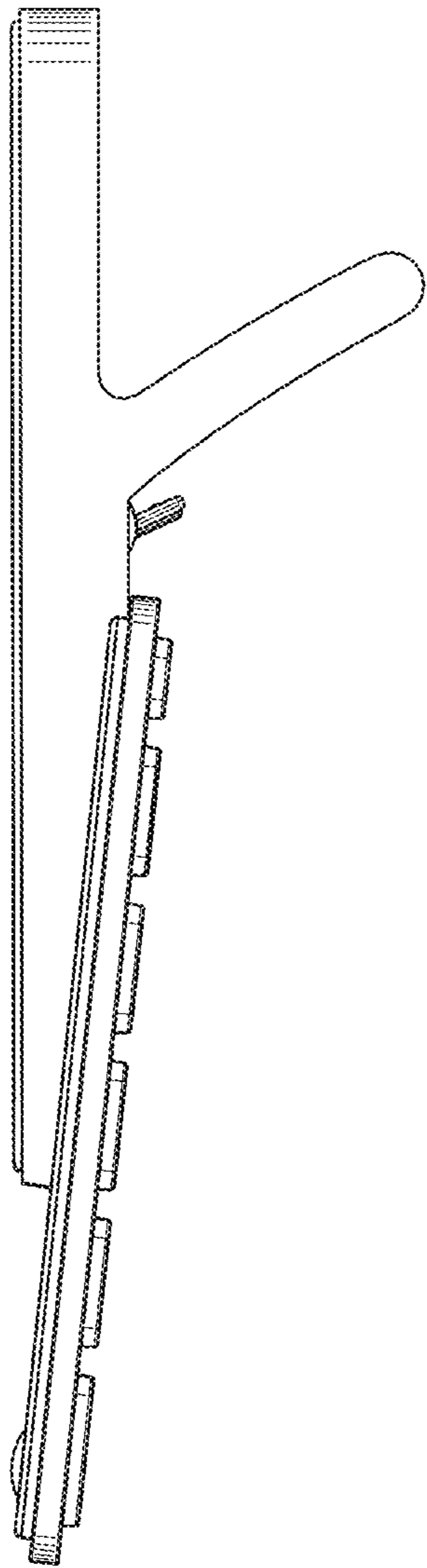


FIG. 9

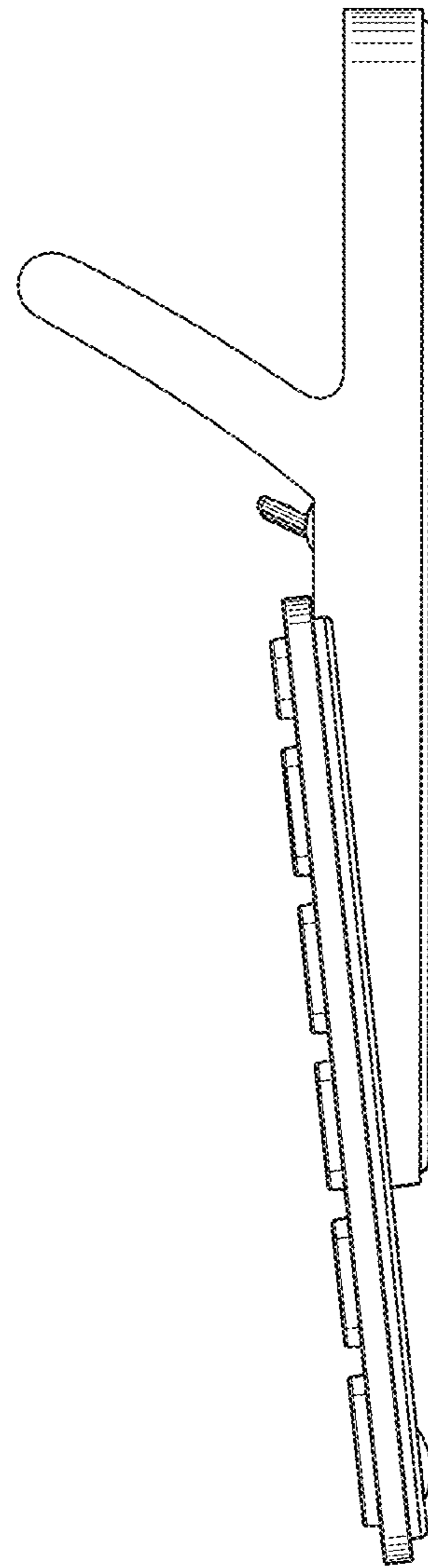


FIG. 10