



US00D680543S

(12) **United States Design Patent**  
**Rossiter et al.**

(10) **Patent No.:** **US D680,543 S**

(45) **Date of Patent:** **\*\* Apr. 23, 2013**

(54) **DOCKING STATION**

(75) Inventors: **Shane Rossiter**, Marina del Rey, CA (US); **Timothy P. Clegg**, Manhattan Beach, CA (US)

(73) Assignee: **Americhip, Inc.**, Los Angeles, CA (US)

(\*\*) Term: **14 Years**

(21) Appl. No.: **29/420,892**

(22) Filed: **May 14, 2012**

(51) **LOC (9) Cl.** ..... **14-02**

(52) **U.S. Cl.**  
USPC ..... **D14/434**

(58) **Field of Classification Search** ..... D14/432-434,  
D14/314, 447, 217, 358, 138 R, 140, 142;  
D13/107, 108, 146; D8/373; 248/346.03,  
248/176.1; 361/679.41, 679.31, 679.32,  
361/679.4, 679.43, 679.55, 679.58, 679.33;  
320/109, 112-115; 710/303; 455/557, 575.1;  
439/347, 534

See application file for complete search history.

(56) **References Cited**

U.S. PATENT DOCUMENTS

D395,292 S	6/1998	Vu	
5,933,812 A *	8/1999	Meyer et al.	705/15
D450,059 S	11/2001	Itou	
D453,504 S	2/2002	Bong et al.	
D518,799 S	4/2006	Peng	
7,209,124 B2	4/2007	Hunt et al.	
D545,280 S	6/2007	Imboden	
D564,470 S	3/2008	Chiu	
D564,989 S	3/2008	Kita	
7,359,624 B2	4/2008	Adams et al.	
D578,973 S	10/2008	Chiu	
D600,244 S	9/2009	Chiu	
D608,746 S	1/2010	Tu	
D610,562 S	2/2010	Chien	
7,708,240 B2 *	5/2010	Homer et al.	248/130

D618,689 S *	6/2010	Shimizu	D14/434
D644,655 S	9/2011	McLaughlin et al.	
D646,298 S	10/2011	McLaughlin et al.	
2002/0016967 A1	2/2002	Carlile	
2002/0065719 A1	5/2002	Yamaguchi	
2003/0048599 A1 *	3/2003	Martin	361/683
2003/0122864 A1	7/2003	Jenne et al.	
2003/0135390 A1	7/2003	O'Brien et al.	
2004/0025185 A1	2/2004	Goci et al.	
2004/0230725 A1	11/2004	Chen et al.	
2006/0224696 A1	10/2006	King et al.	
2008/0219488 A1 *	9/2008	Crooijmans et al.	381/333
2010/0262435 A1	10/2010	Smith et al.	
2010/0287001 A1	11/2010	Pearce et al.	
2011/0016427 A1	1/2011	Douen	
2012/0021808 A1	1/2012	Tseng	

FOREIGN PATENT DOCUMENTS

JP	2010101949 A	5/2010
KR	2009037217 A	10/2007

\* cited by examiner

*Primary Examiner* — Freda S Nunn

(74) *Attorney, Agent, or Firm* — Jeffer Mangels Butler & Mitchell LLP

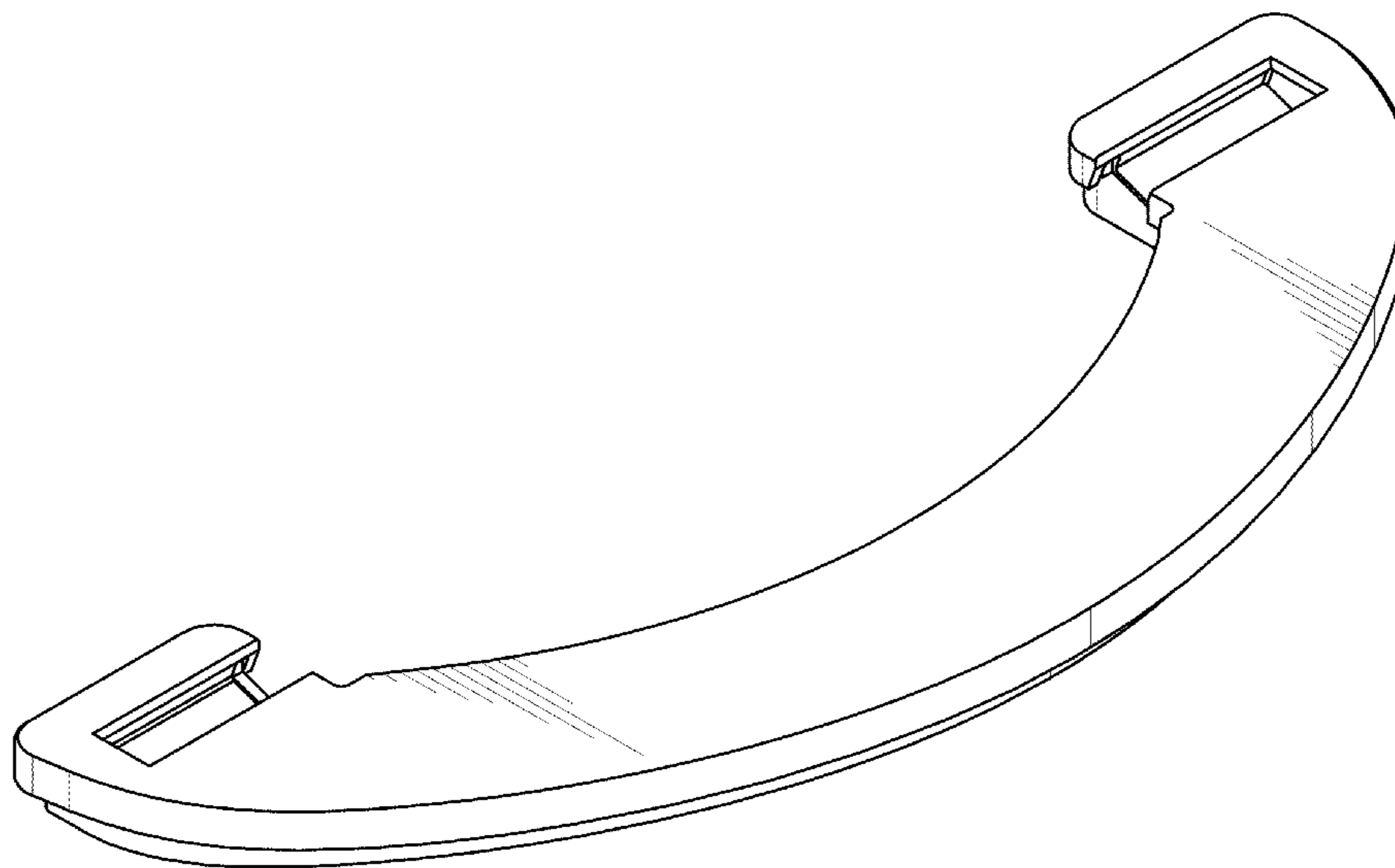
(57) **CLAIM**

The ornamental design for a docking station, as shown and described.

**DESCRIPTION**

FIG. 1 is a rear perspective view of the of the docking station showing our new design;  
FIG. 2 is a front elevational view thereof;  
FIG. 3 is a rear elevational view thereof;  
FIG. 4 is a right side elevational view thereof;  
FIG. 5 is a left side elevational view thereof;  
FIG. 6 is a top plan view thereof;  
FIG. 7 is a cross-sectional view taken along line 7-7 of FIG. 6;  
and,  
FIG. 8 is a bottom plan view thereof.

**1 Claim, 6 Drawing Sheets**



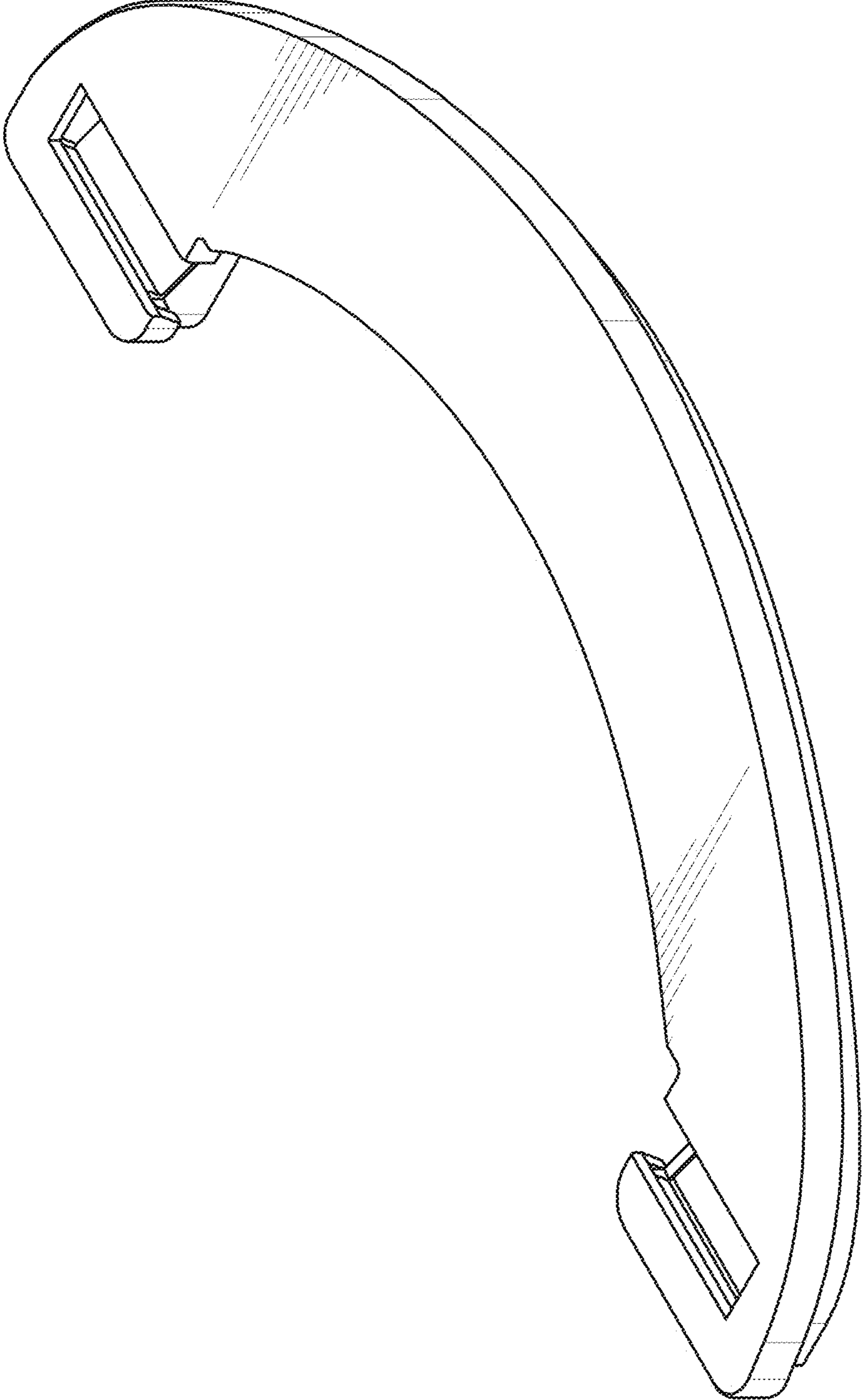


FIG. 1

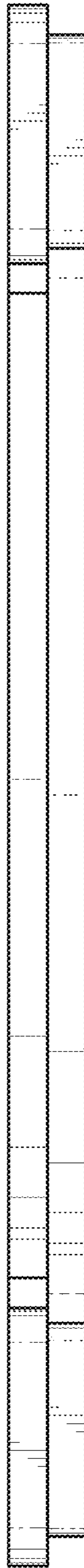


FIG. 2

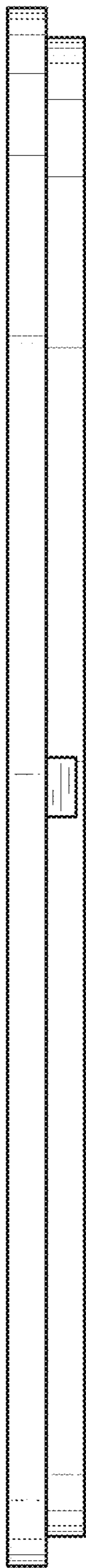


FIG. 3



*FIG. 4*



*FIG. 5*

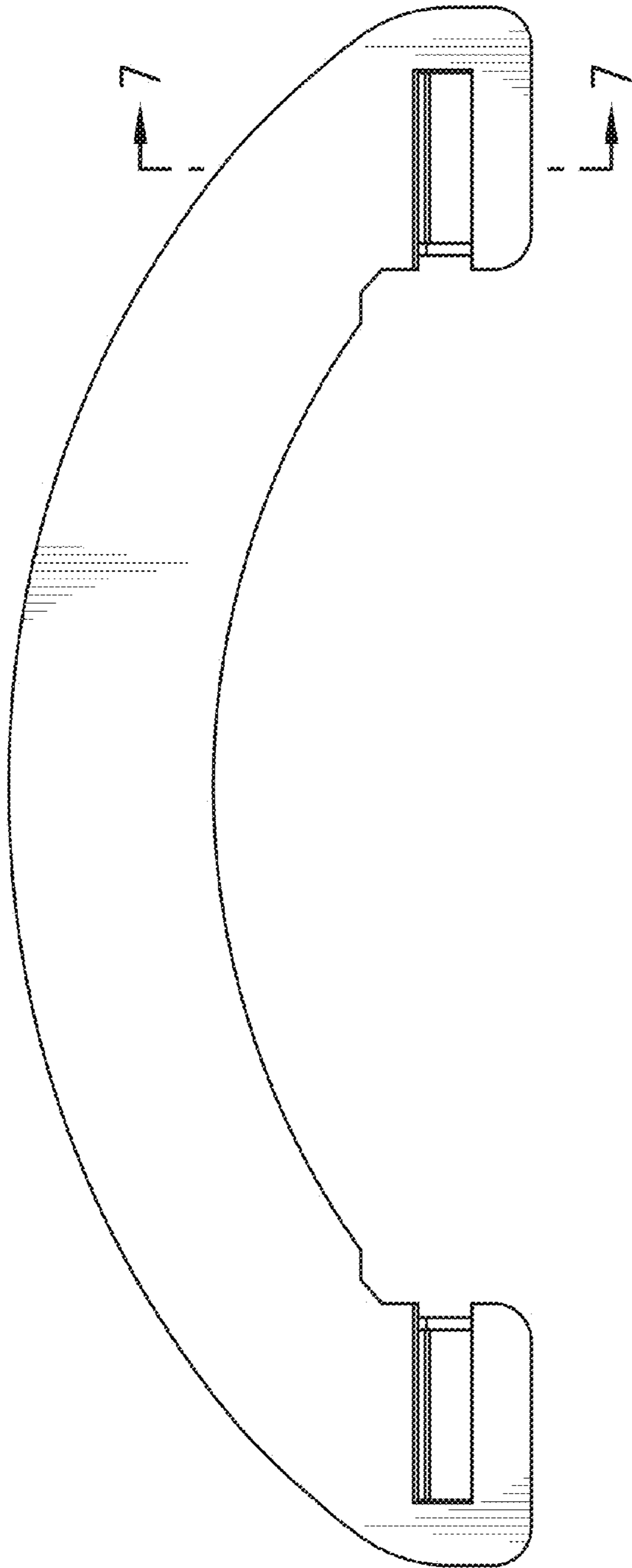


FIG. 6

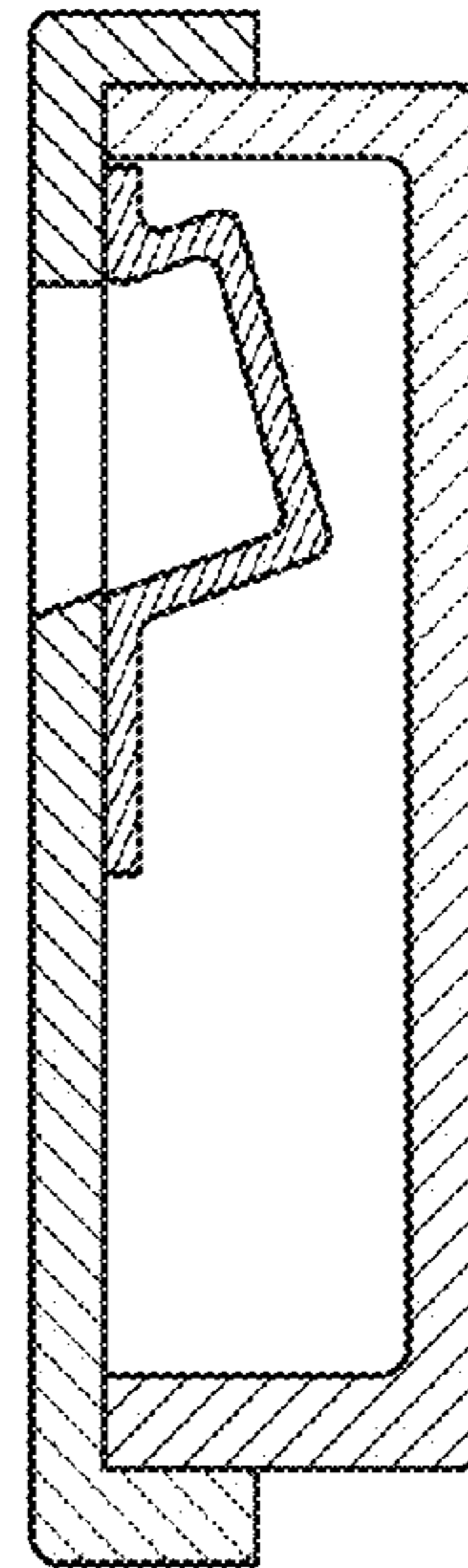


FIG. 7

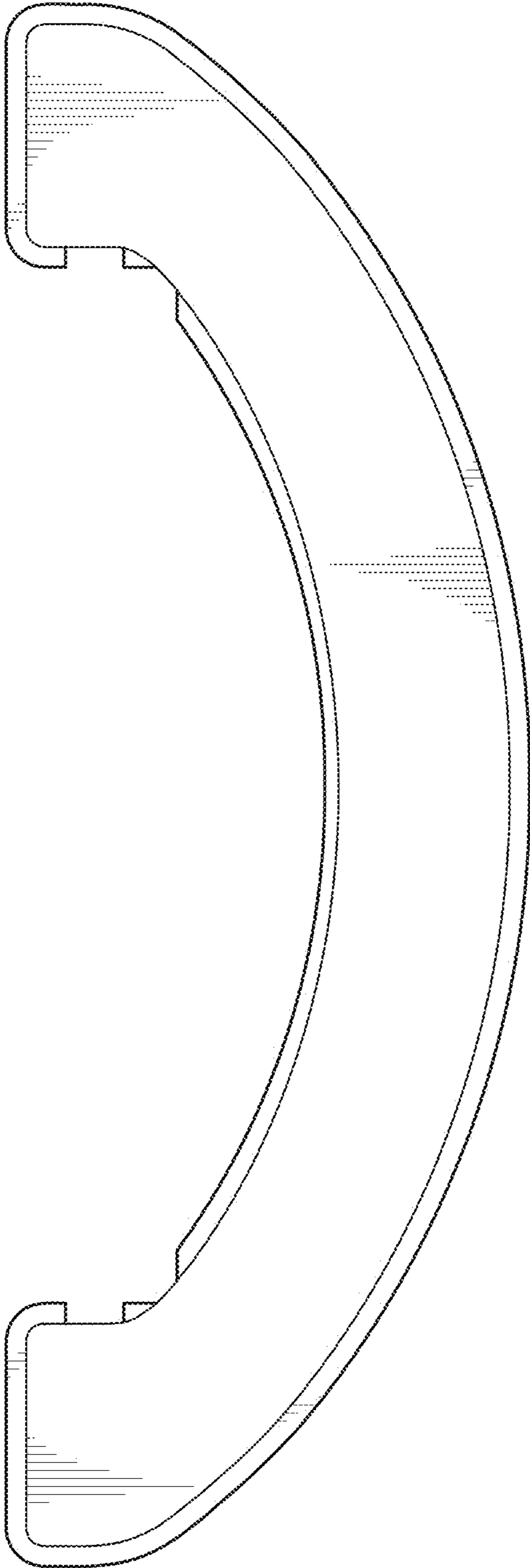


FIG. 8