



US00D680542S

(12) **United States Design Patent**
Lee et al.

(10) **Patent No.:** **US D680,542 S**
(45) **Date of Patent:** **** Apr. 23, 2013**

(54) **DUAL DOCKING STATION FOR PORTABLE MEDIA PLAYER**

Primary Examiner — Freda S Nunn

(74) *Attorney, Agent, or Firm* — Mayer Brown LLP

(75) Inventors: **Johann Lee**, Syosset, NY (US); **Hyunno Yun**, Flushing, NY (US)

(73) Assignee: **Coby Electronics Corp.**, Lake Success, NY (US)

(57) **CLAIM**

The ornamental design for a dual docking station for portable media player, as shown and described.

(**) Term: **14 Years**

(21) Appl. No.: **29/417,978**

(22) Filed: **Apr. 11, 2012**

(51) **LOC (9) Cl.** **14-02**

(52) **U.S. Cl.**
USPC **D14/434; D14/217**

(58) **Field of Classification Search** D14/217,
D14/432, 434; D8/373; D13/107, 108, 146;
248/176.1; 320/109, 112–115; 361/679.4,
361/679.31–679.33, 679.41, 679.43, 679.55;
455/557; 710/15, 303

See application file for complete search history.

DESCRIPTION

A portion of the disclosure of this patent document contains material to which a claim for copyright is made. The copyright owner has no objection to the facsimile reproduction by anyone of the patent document or the patent disclosure, as it appears in the Patent and Trademark Office patent file or records, but reserves all other copyright rights whatsoever.

FIG. 1 is a side front perspective view of a dual docking station for portable media player according to an embodiment of my new design;

FIG. 2 is a left side view thereof;

FIG. 3 is a right side view thereof;

FIG. 4 is a front view thereof;

FIG. 5 is a rear view thereof;

FIG. 6 is a top view thereof; and,

FIG. 7 is a bottom view thereof.

The broken lines and shading lines throughout the figures are for illustrative purposes or to show contour only and form no part of the claimed design.

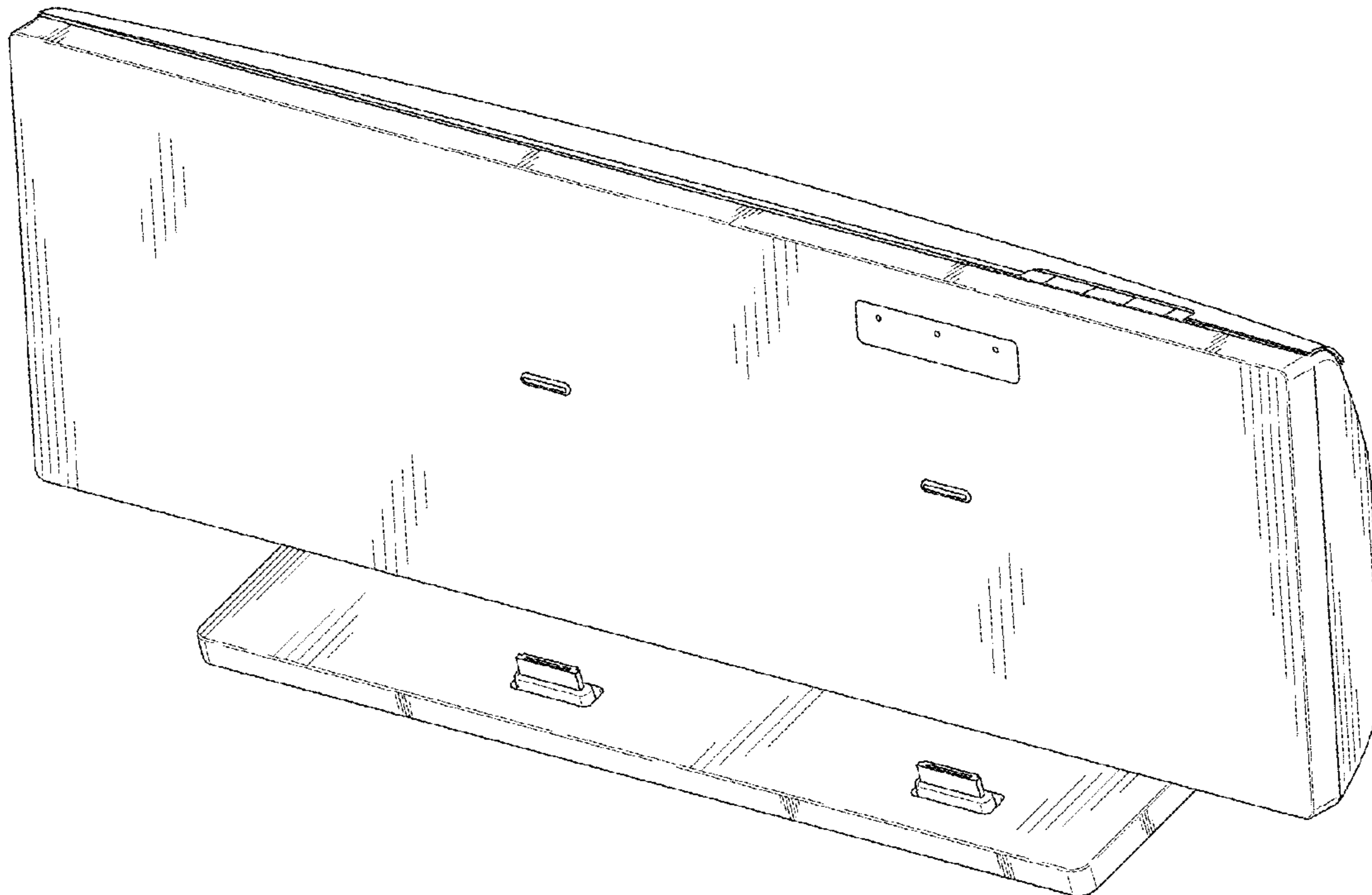
(56) **References Cited**

U.S. PATENT DOCUMENTS

D445,087	S *	7/2001	Skoger et al.	D13/108
7,200,702	B2 *	4/2007	Keely et al.	710/303
7,515,408	B2 *	4/2009	Bakker et al.	361/679.33
7,708,240	B2 *	5/2010	Homer et al.	248/130
D636,778	S *	4/2011	Corsini et al.	D14/434
2003/0235029	A1 *	12/2003	Doherty et al.	361/683
2007/0201191	A1 *	8/2007	Takahashi et al.	361/600

* cited by examiner

1 Claim, 4 Drawing Sheets



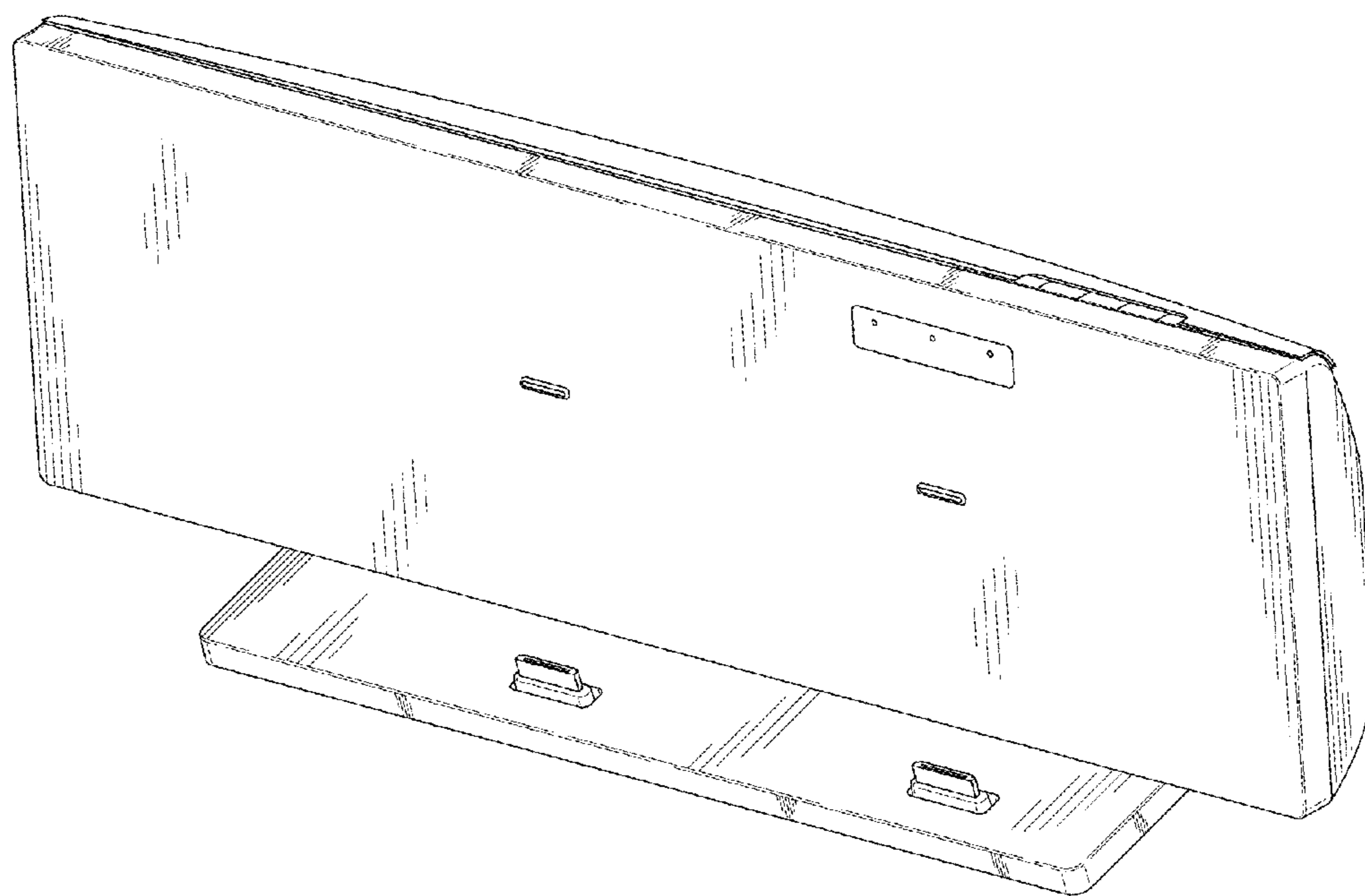


FIG. 1

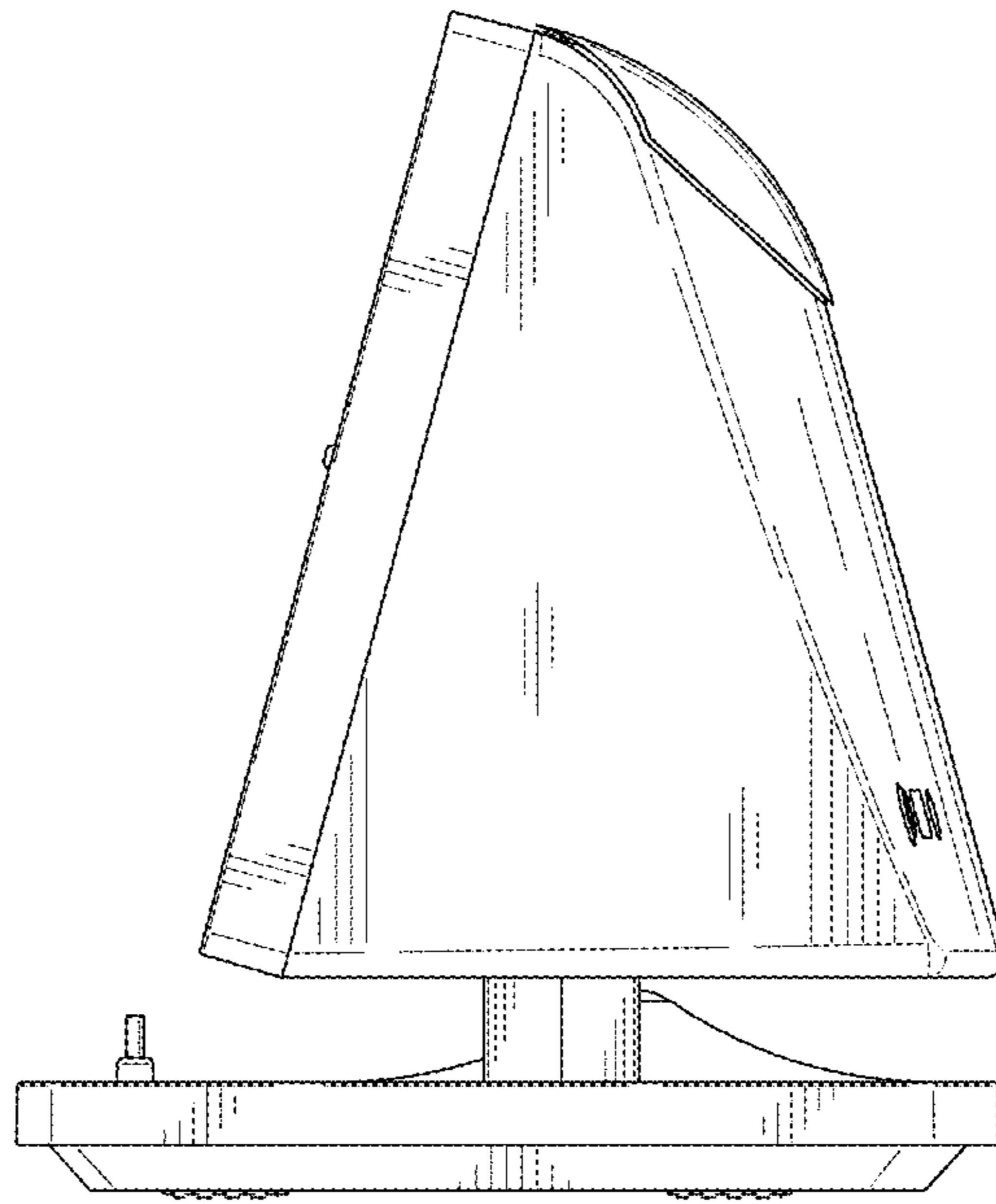


FIG. 2

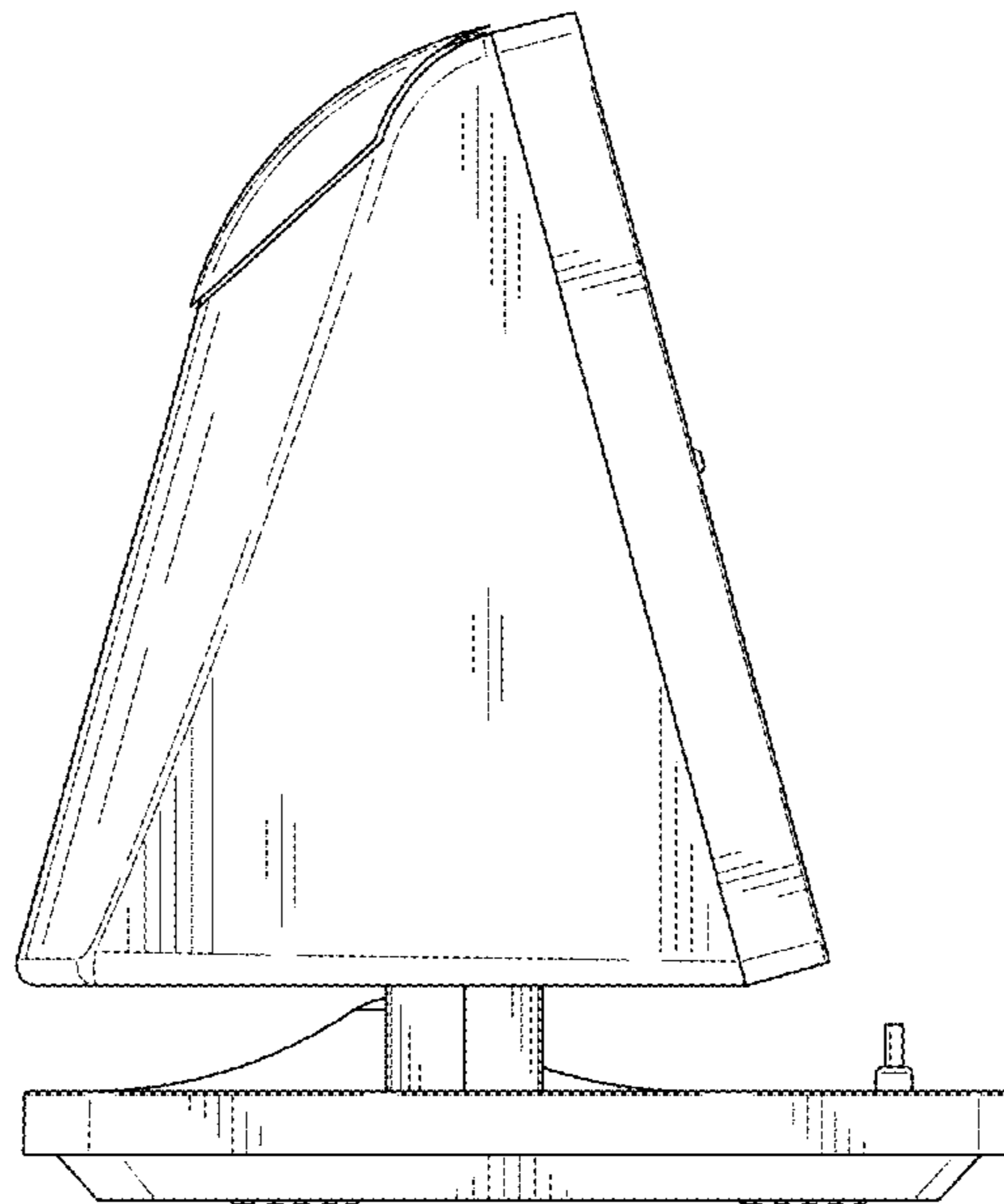
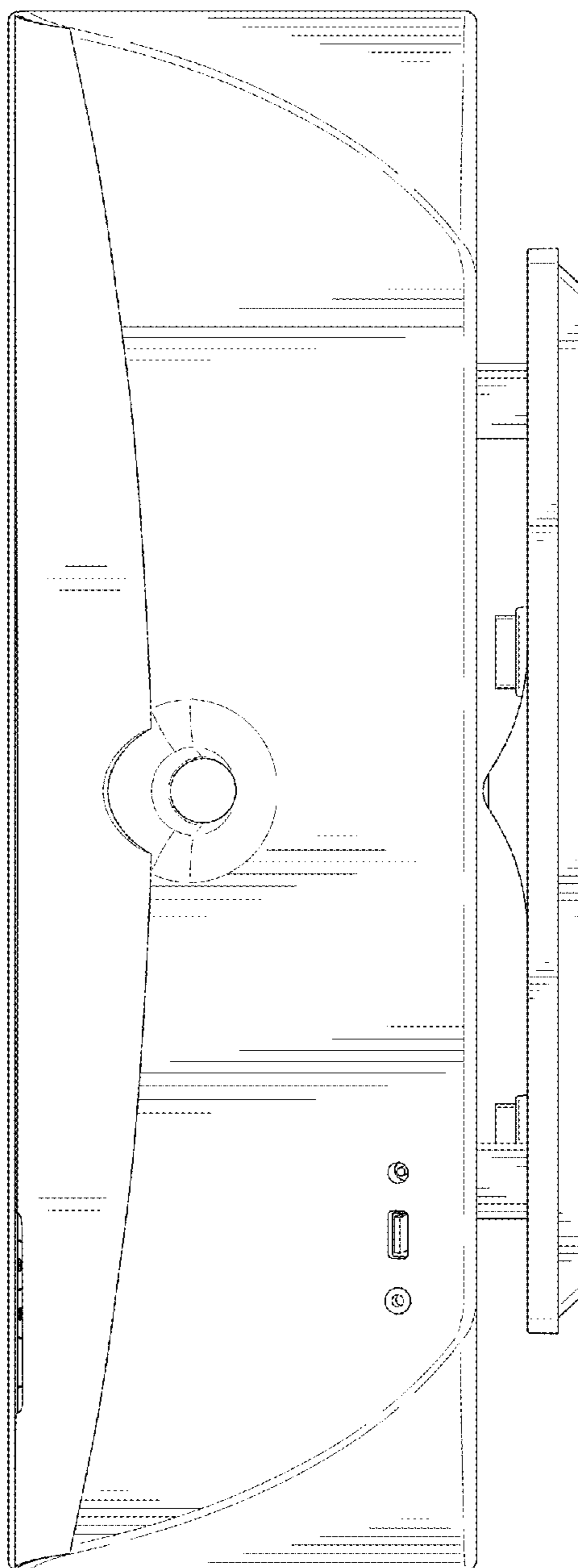
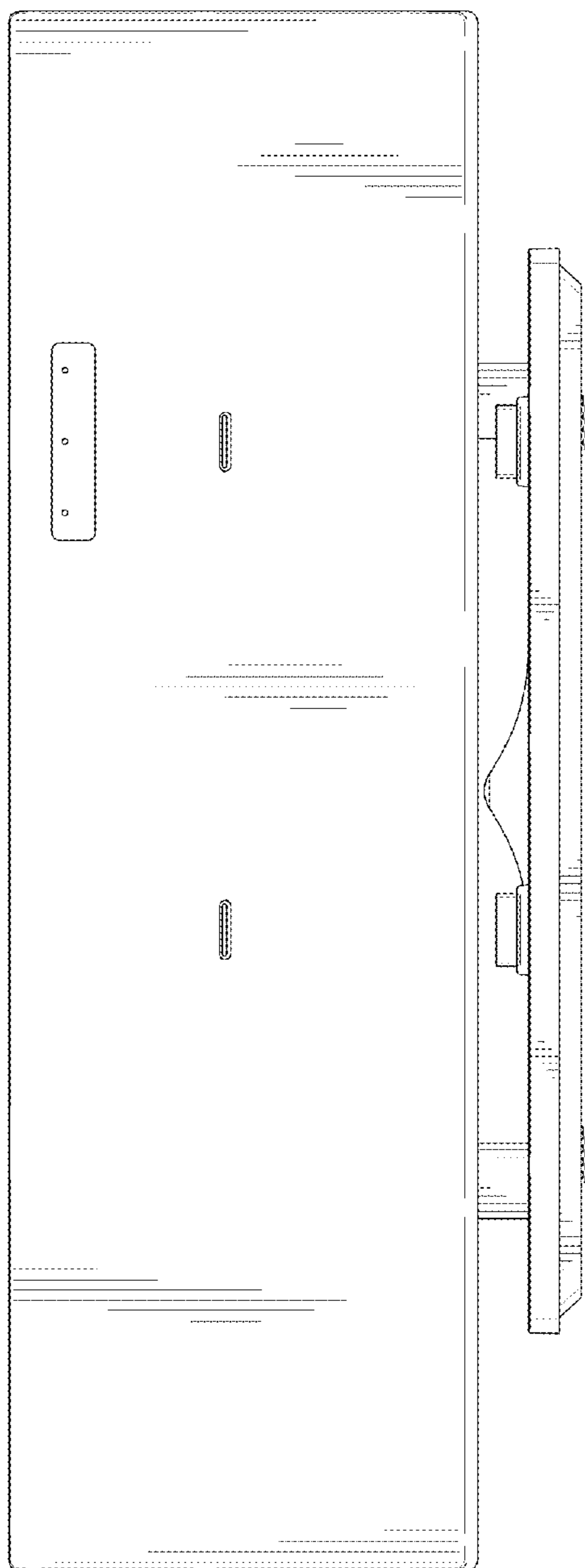


FIG. 3



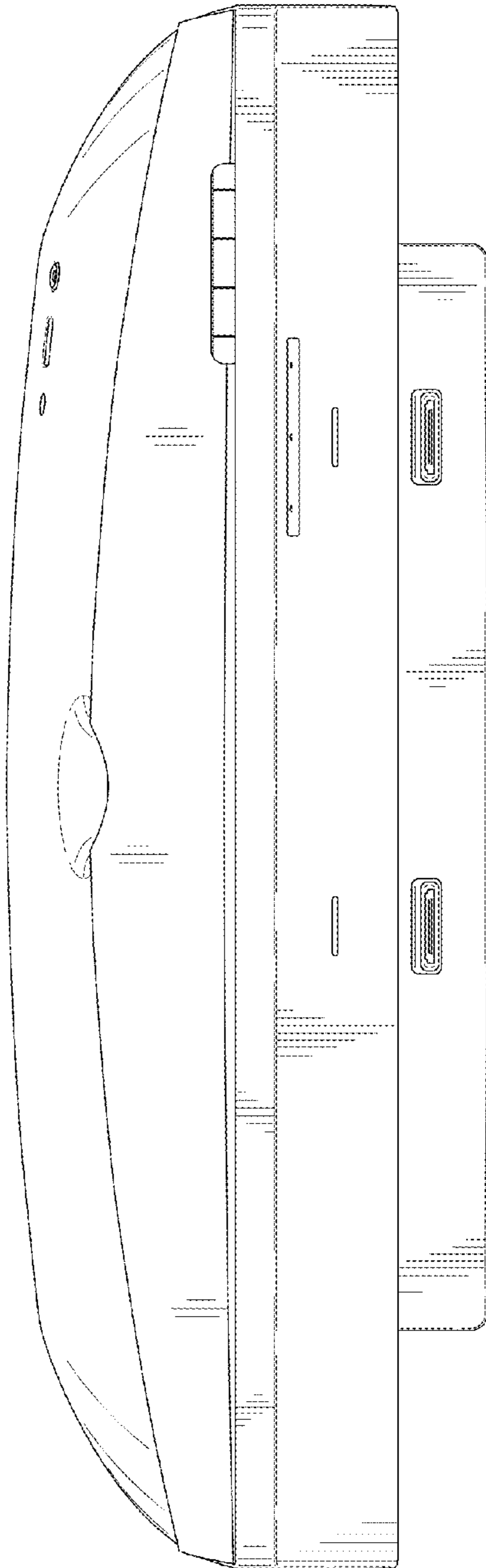


FIG. 6

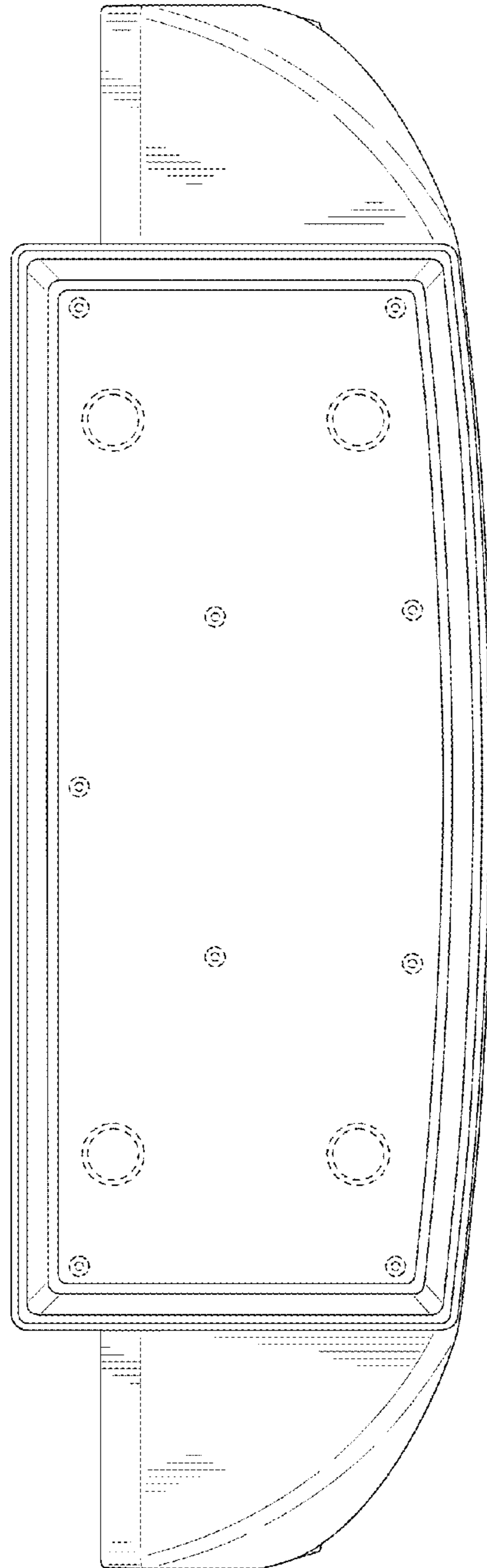


FIG. 7