



US00D680541S

(12) **United States Design Patent**  
**Lee et al.**

(10) **Patent No.:** **US D680,541 S**  
(45) **Date of Patent:** **\*\* Apr. 23, 2013**

(54) **DOCKING STATION FOR A PORTABLE MEDIA PLAYER**

*Primary Examiner* — Freda S Nunn

(74) *Attorney, Agent, or Firm* — Mayer Brown LLP

(75) Inventors: **Johann Lee**, Syosset, NY (US); **Hyunno Yun**, Flushing, NY (US)

(73) Assignee: **Coby Electronics Corp.**, Lake Success, NY (US)

(57) **CLAIM**

The ornamental design for a docking station for a portable media player, as shown and described.

(\*\*) Term: **14 Years**

(21) Appl. No.: **29/417,977**

(22) Filed: **Apr. 11, 2012**

(51) **LOC (9) Cl.** ..... **14-02**

(52) **U.S. Cl.**  
USPC ..... **D14/434**; D14/217

(58) **Field of Classification Search** ..... D14/217,  
D14/432, 434; D8/373; D13/107, 108, 146;  
248/176.1; 320/109, 112–115; 361/679.4,  
361/679.31–679.33, 679.41, 679.43, 679.55;  
455/557; 710/15, 303

See application file for complete search history.

**DESCRIPTION**

A portion of the disclosure of this patent document contains material to which a claim for copyright is made. The copyright owner has no objection to the facsimile reproduction by anyone of the patent document or the patent disclosure, as it appears in the Patent and Trademark Office patent file or records, but reserves all other copyright rights whatsoever.

FIG. 1 is a side front perspective view of a docking station for a portable media player according to an embodiment of my new design;

FIG. 2 is a front view thereof;

FIG. 3 is a rear view thereof;

FIG. 4 is a left side view thereof;

FIG. 5 is a right side view thereof;

FIG. 6 is a top view thereof; and,

FIG. 7 is a bottom view thereof.

The broken lines and shading lines throughout the figures are for illustrative purposes or to show contour only and form no part of the claimed design.

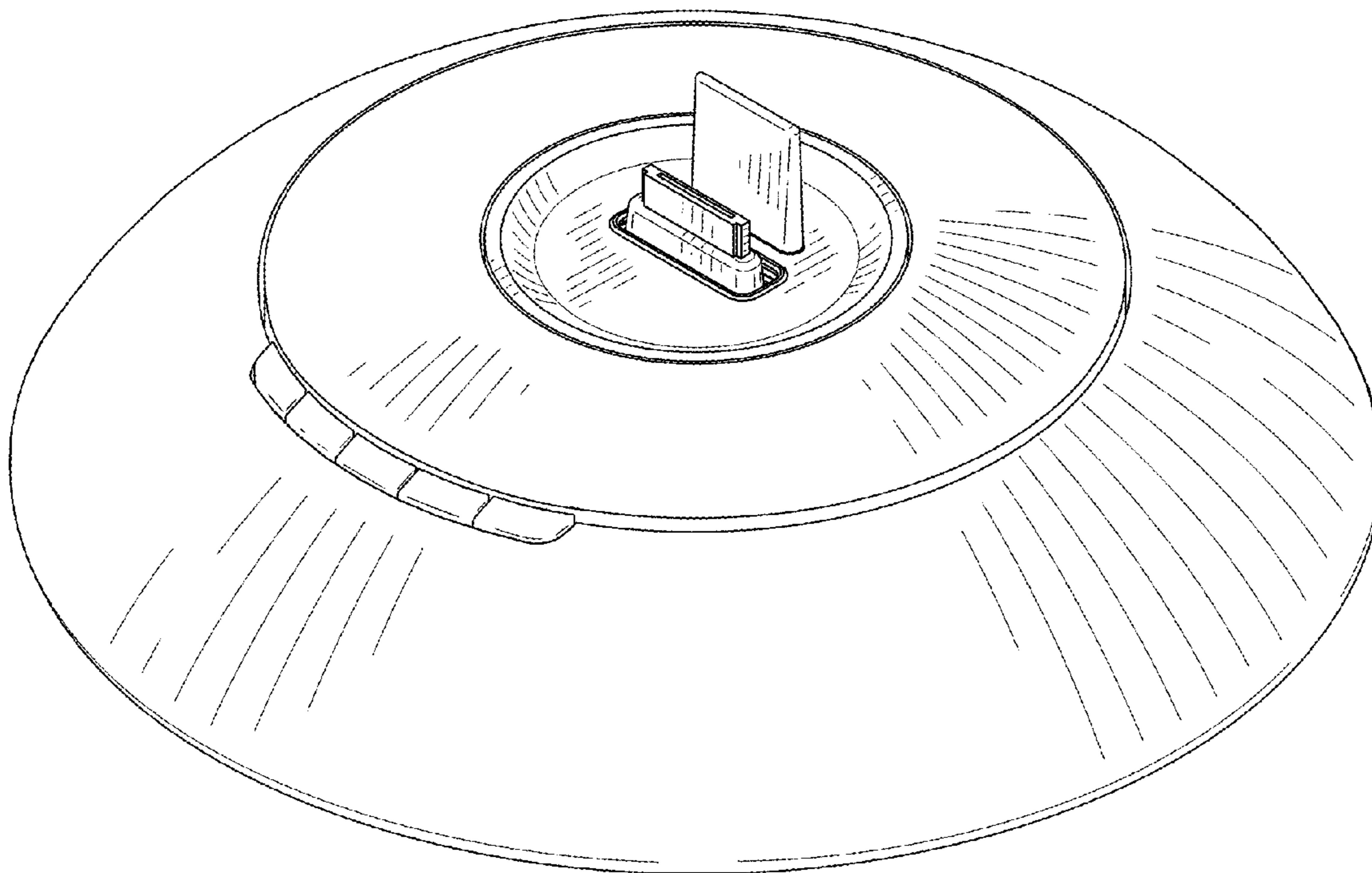
(56) **References Cited**

**U.S. PATENT DOCUMENTS**

D508,458 S *	8/2005	Solland et al. ....	D13/108
D553,123 S *	10/2007	Solland .....	D14/217
D558,209 S *	12/2007	Ikeda et al. ....	D14/434
D585,898 S *	2/2009	Skurdal .....	D14/434
D594,404 S *	6/2009	Kuo et al. ....	D13/107
D645,818 S *	9/2011	Guccione et al. ....	D13/108
2008/0219488 A1 *	9/2008	Crooijmans et al. ....	381/333

\* cited by examiner

**1 Claim, 4 Drawing Sheets**



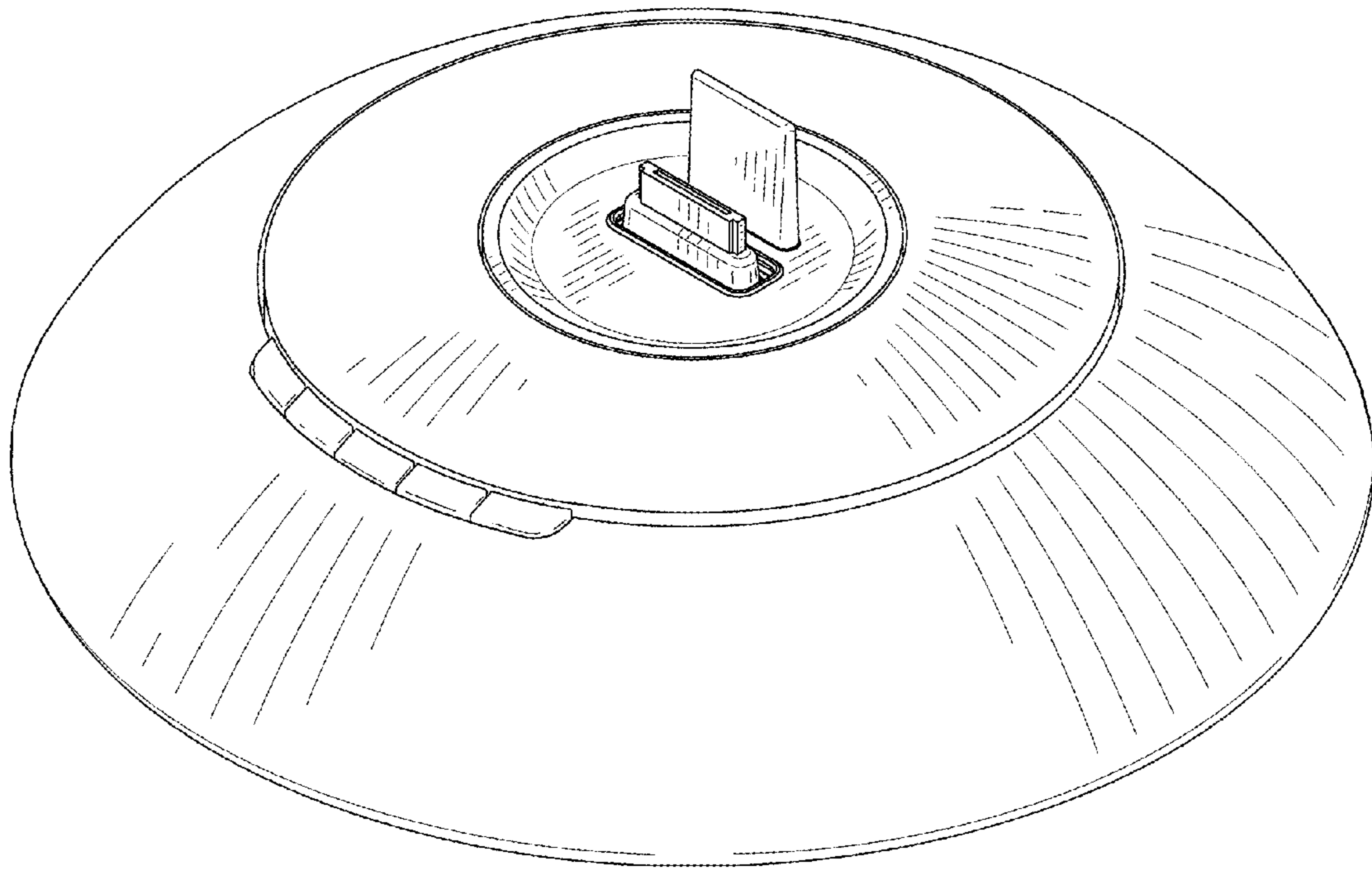


FIG. 1

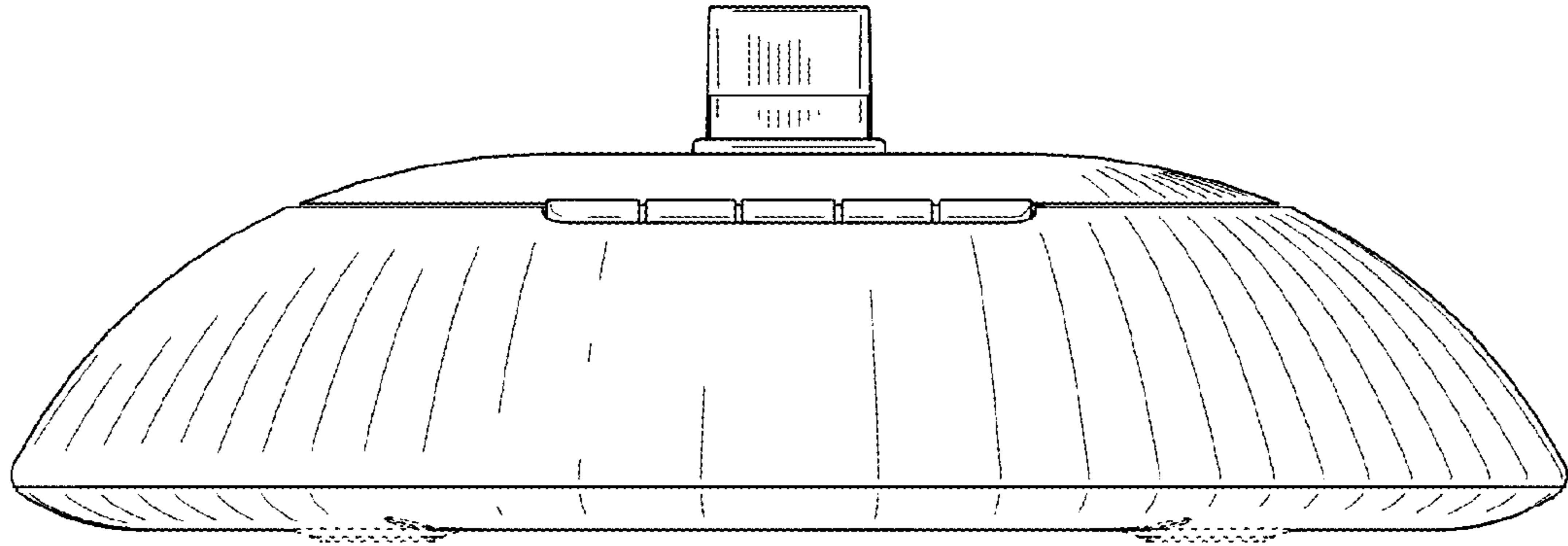


FIG. 2

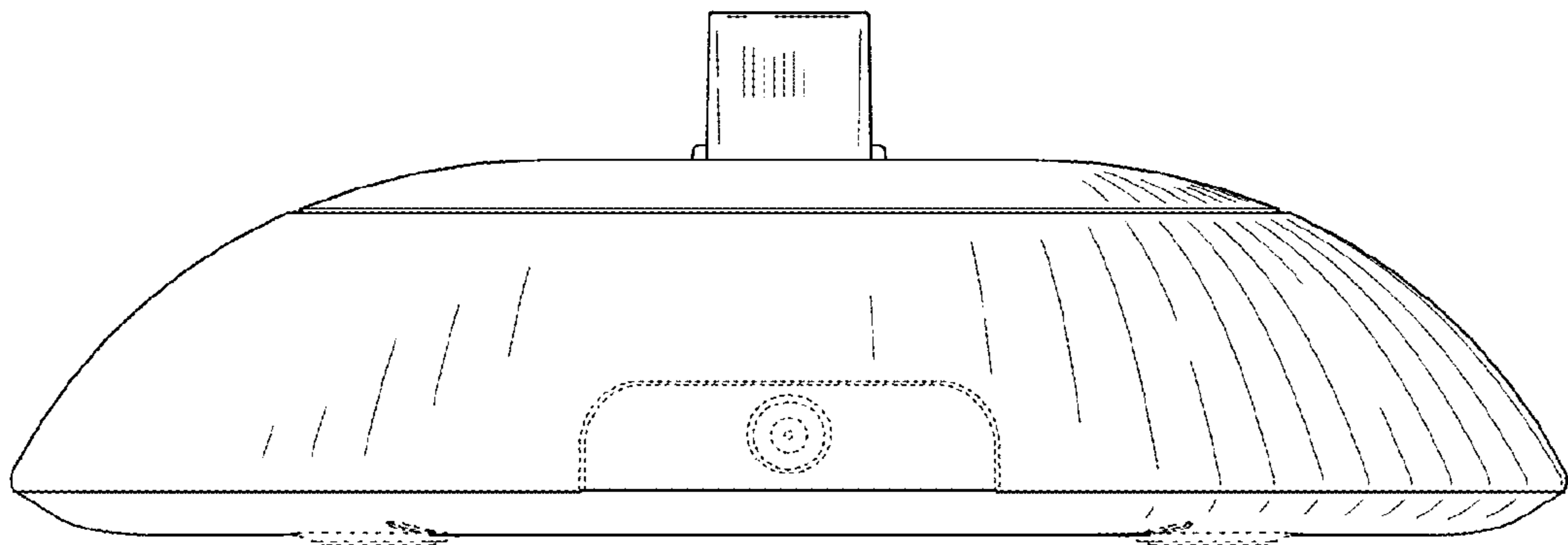


FIG. 3

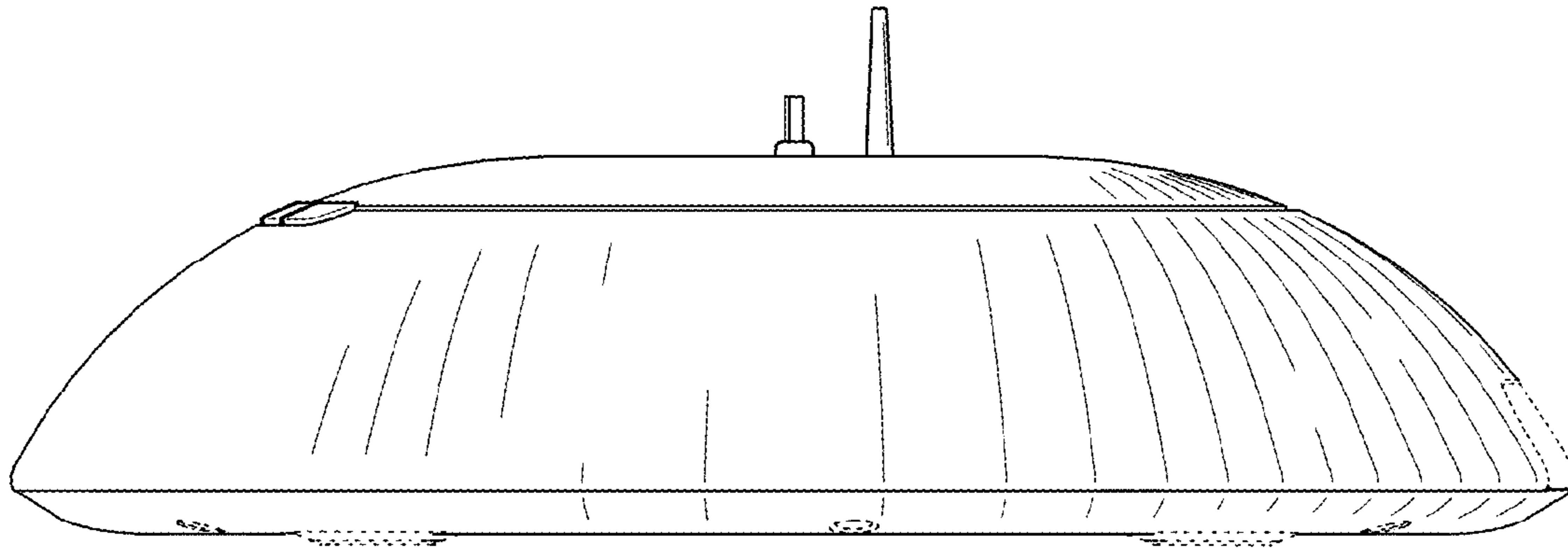


FIG. 4

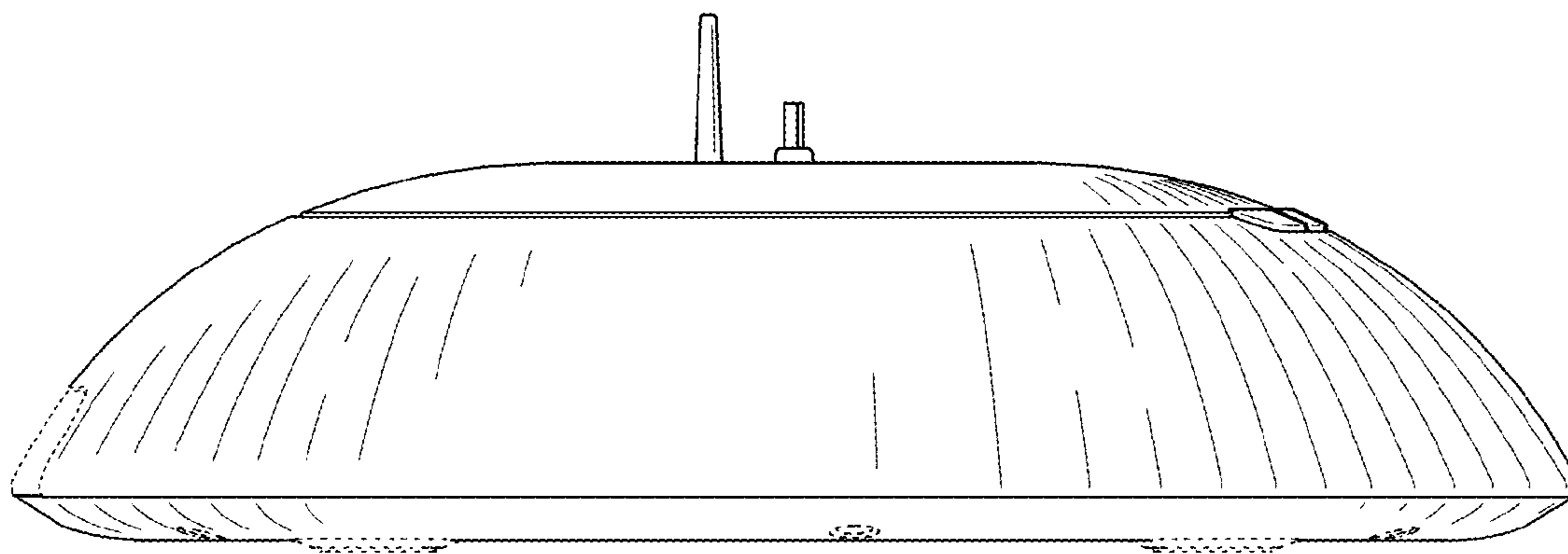


FIG. 5

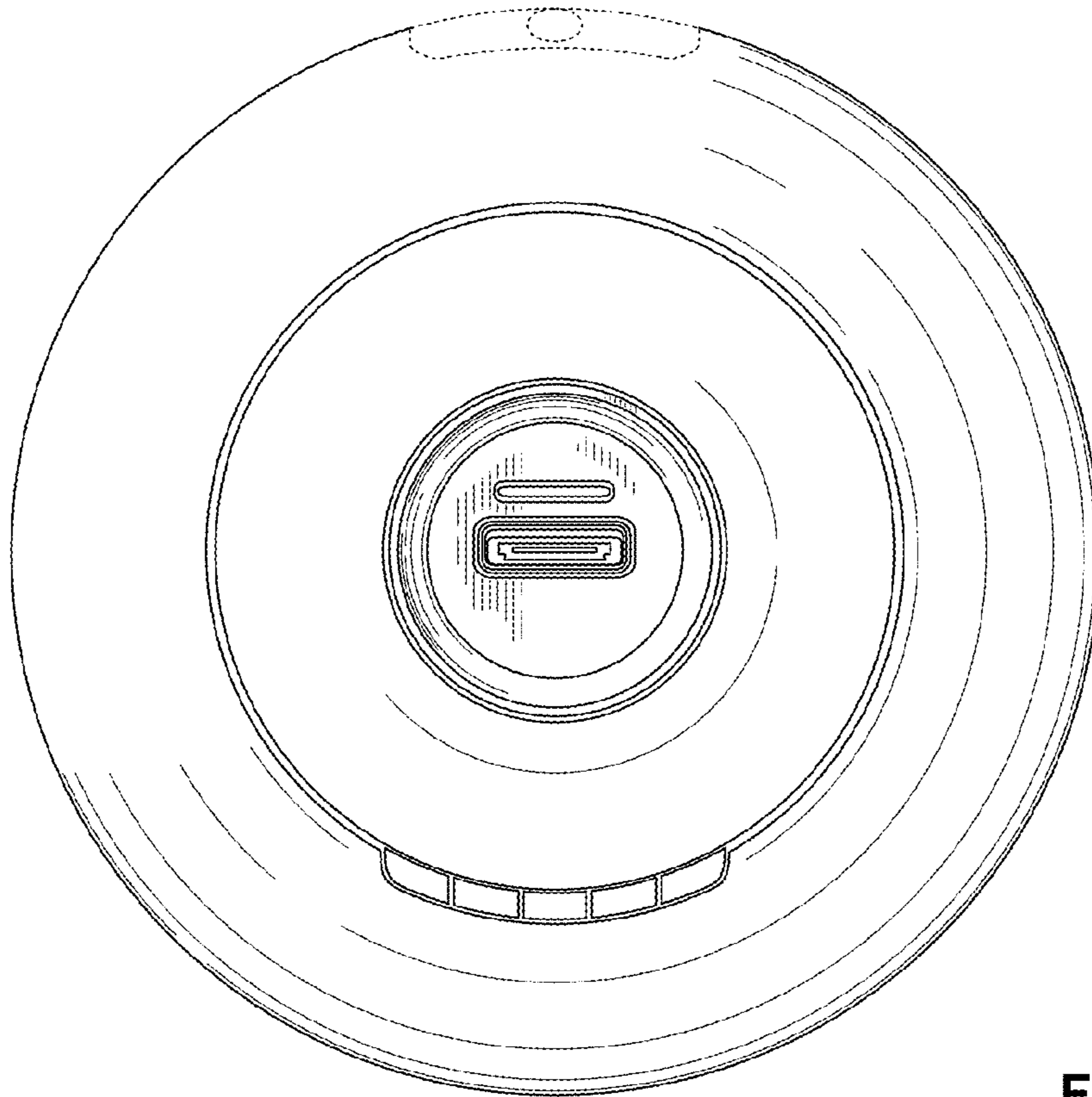


FIG. 6

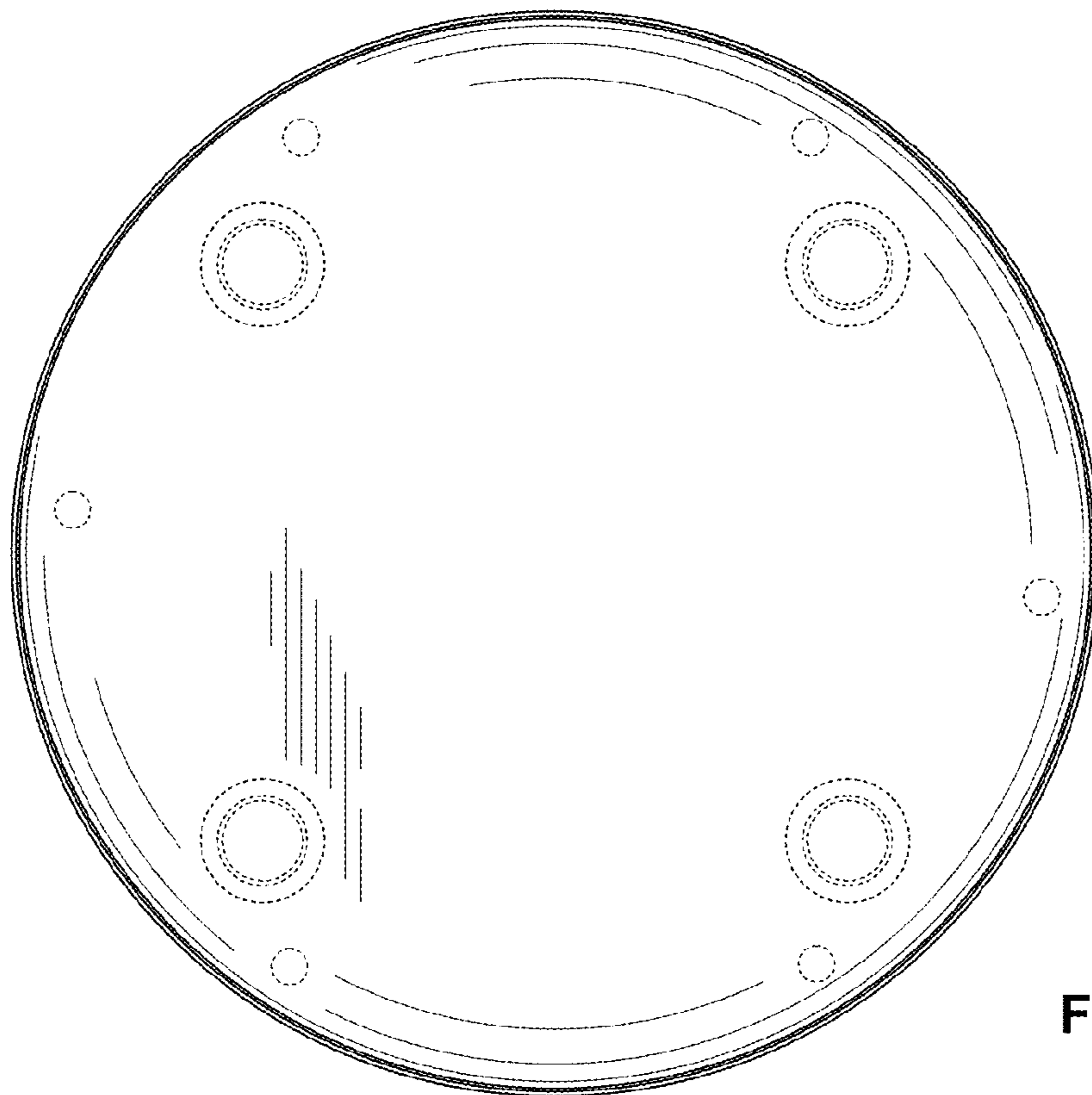


FIG. 7