



US00D680539S

(12) **United States Design Patent**
Kim

(10) **Patent No.:** **US D680,539 S**

(45) **Date of Patent:** **** Apr. 23, 2013**

(54) **ADAPTER**

(75) Inventor: **Young-Soo Kim**, Seoul (KR)

(73) Assignee: **Samsung Electronics Co., Ltd.**, Suwon, Kyunggi-do (KR)

(**) Term: **14 Years**

(21) Appl. No.: **29/374,382**

(22) Filed: **Aug. 5, 2011**

(30) **Foreign Application Priority Data**

May 27, 2011 (KR) 30-2011-0021675

(51) **LOC (9) Cl.** **14-02**

(52) **U.S. Cl.**
USPC **D14/433**

(58) **Field of Classification Search** D14/432-435,
D14/435.1, 436-439, 356-358, 480.1-480.7,
D14/483, 484.1, 240; D13/107, 108, 110,
D13/118, 123, 133, 147, 154; 439/131, 500,
439/501, 445, 446, 296, 284, 286, 288; 361/679.4,
361/679.41, 679.44; D1/127
See application file for complete search history.

(56) **References Cited**

U.S. PATENT DOCUMENTS

D442,553 S * 5/2001 Urban et al. D13/153
D515,545 S * 2/2006 Griffin D14/155

D560,228 S * 1/2008 Andre et al. D14/496
D574,365 S * 8/2008 Andre et al. D14/217
D574,834 S * 8/2008 Chen D14/432
D578,991 S * 10/2008 Donovan et al. D14/155
D585,835 S * 2/2009 Jaqua et al. D13/154
D588,545 S * 3/2009 Andre et al. D13/154
D598,890 S * 8/2009 Lee et al. D14/155
D599,740 S * 9/2009 Guccione et al. D13/147

OTHER PUBLICATIONS

U.S. Appl. No. 29/349,425, Applicant: Ok-Keun Lee et al., filed Apr. 1, 2010 entitled Adapter.

* cited by examiner

Primary Examiner — Austin Murphy

(74) *Attorney, Agent, or Firm* — Flynn, Thiel, Boutell & Tanis, P.C.

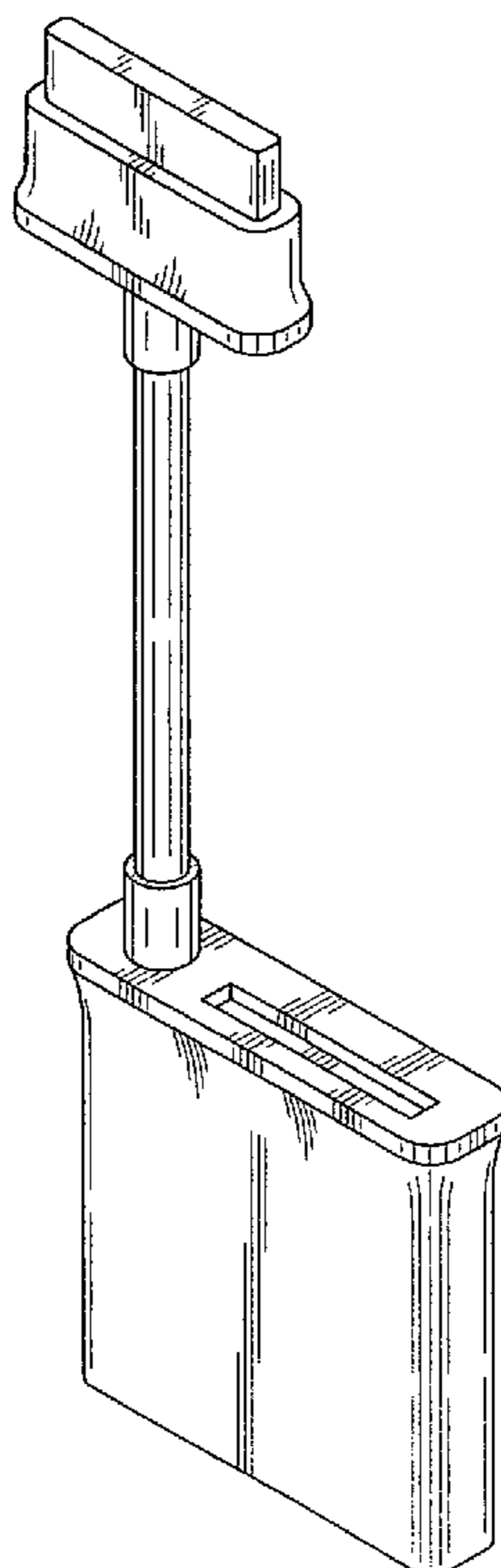
(57) **CLAIM**

The ornamental design for an adapter, as shown and described.

DESCRIPTION

FIG. 1 is a top front perspective view of an adapter showing my new design;
FIG. 2 is a front elevational view thereof;
FIG. 3 is a rear elevational view thereof;
FIG. 4 is a left side elevational view thereof;
FIG. 5 is a right side elevational view thereof;
FIG. 6 is a top plan view thereof; and,
FIG. 7 is a bottom plan view thereof.

1 Claim, 4 Drawing Sheets



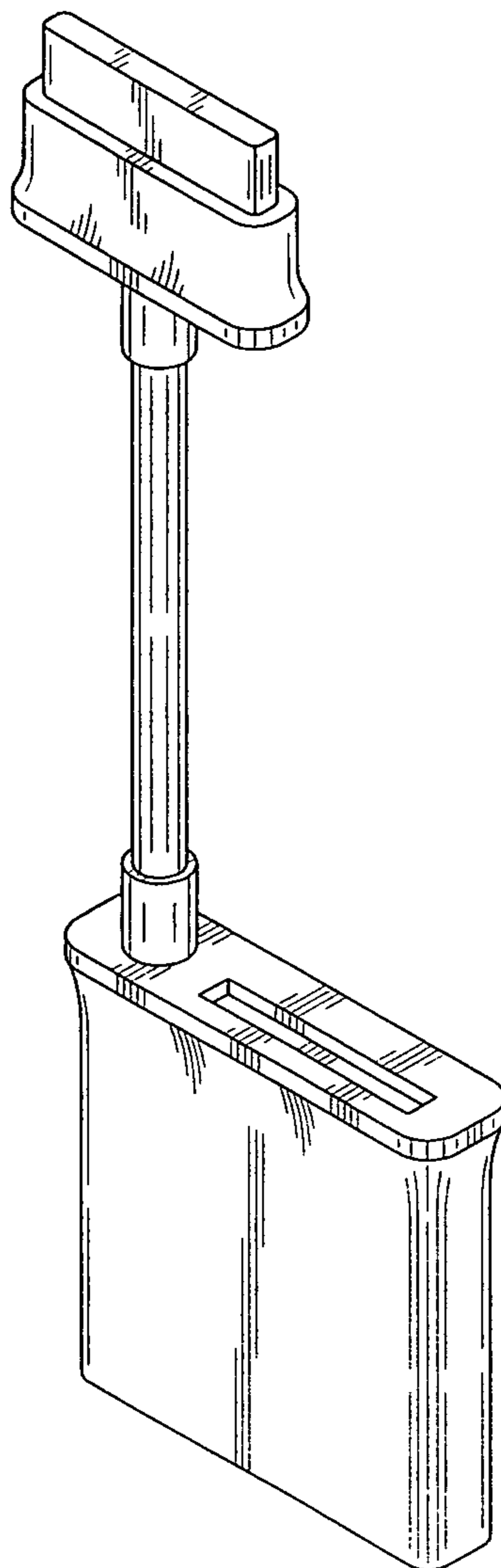


FIG.1

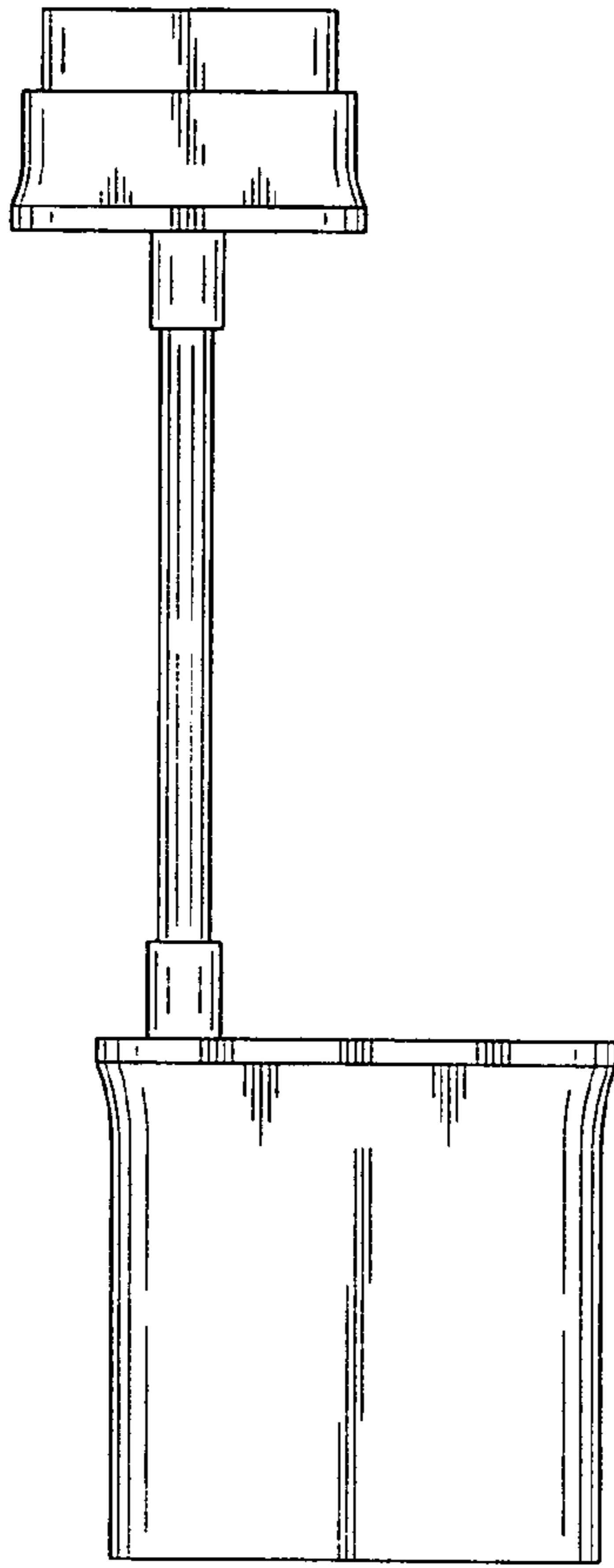


FIG. 2

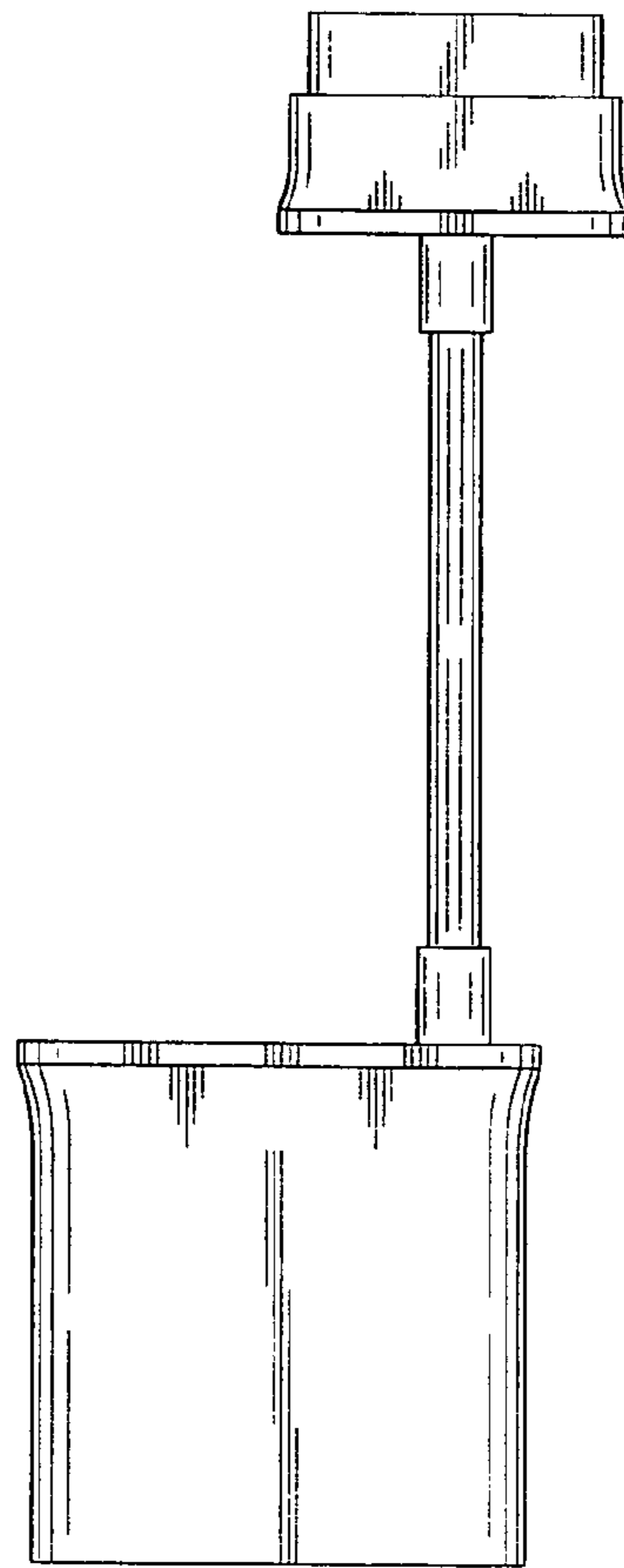


FIG. 3

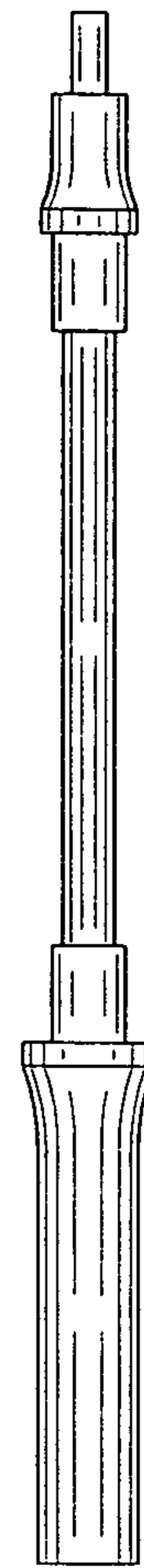
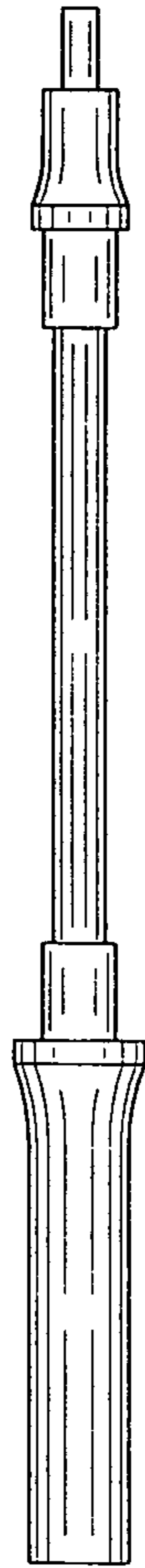


FIG.4

FIG.5

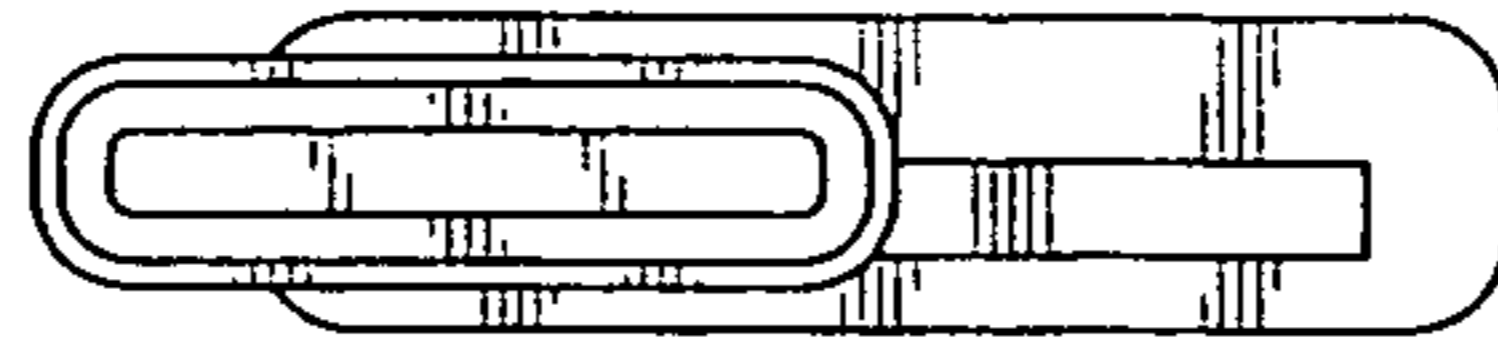


FIG. 6

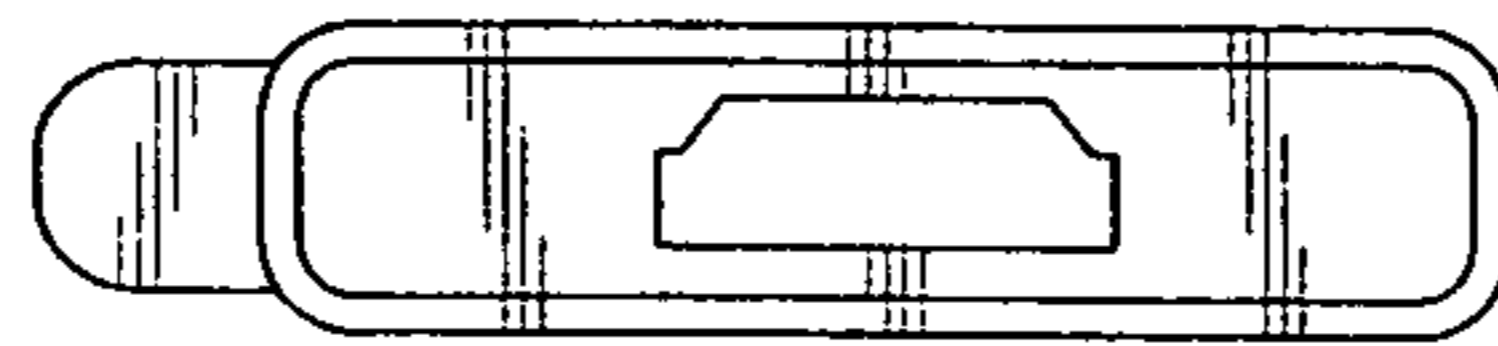


FIG. 7