



US00D680538S

(12) **United States Design Patent**  
**Xiao**

(10) **Patent No.:** **US D680,538 S**  
(45) **Date of Patent:** **\*\* Apr. 23, 2013**

(54) **KEYBOARD WITH MULTIFUNCTIONAL STAND**

(75) Inventor: **Pingsheng Xiao**, Guangzhou (CN)

(73) Assignee: **Guangzhou Sunday Electronics Co., Ltd.**, Guangzhou, Guangdong (CN)

(\*\*) Term: **14 Years**

(21) Appl. No.: **29/409,312**

(22) Filed: **Dec. 21, 2011**

(51) **LOC (9) Cl.** ..... **14-02**

(52) **U.S. Cl.**

USPC ..... **D14/392**

(58) **Field of Classification Search** ..... D14/391-399,  
D14/385, 455; D18/1, 2, 7, 11; 178/17 A,  
178/17 C; 200/5 A, 5 R, 6 A, 6 R; 235/145 A,  
235/145 R; 345/160, 168, 169; 341/20,  
341/22, 23; 400/484-489, 492, 472; 361/679.08,  
361/679.09, 679.11, 679.12, 679.17, 679.2

See application file for complete search history.

(56) **References Cited**

U.S. PATENT DOCUMENTS

D409,594 S \* 5/1999 Lepack ..... D14/392  
6,515,852 B2 \* 2/2003 Huang et al. .... 361/679.08  
D545,821 S \* 7/2007 Eroma et al. .... D14/393  
D567,240 S \* 4/2008 Griffin ..... D14/392

D616,886 S \* 6/2010 Andre et al. .... D14/392  
D659,143 S \* 5/2012 Akana et al. .... D14/434  
2009/0135554 A1 \* 5/2009 Chien et al. .... 361/679.08  
2010/0073855 A1 \* 3/2010 Liang et al. .... 361/679.08  
2010/0149741 A1 \* 6/2010 Liu ..... 361/679.08  
2011/0026209 A1 \* 2/2011 Borse ..... 361/679.08

\* cited by examiner

*Primary Examiner* — Freda S Nunn

(74) *Attorney, Agent, or Firm* — Cheng-Ju Chiang

(57) **CLAIM**

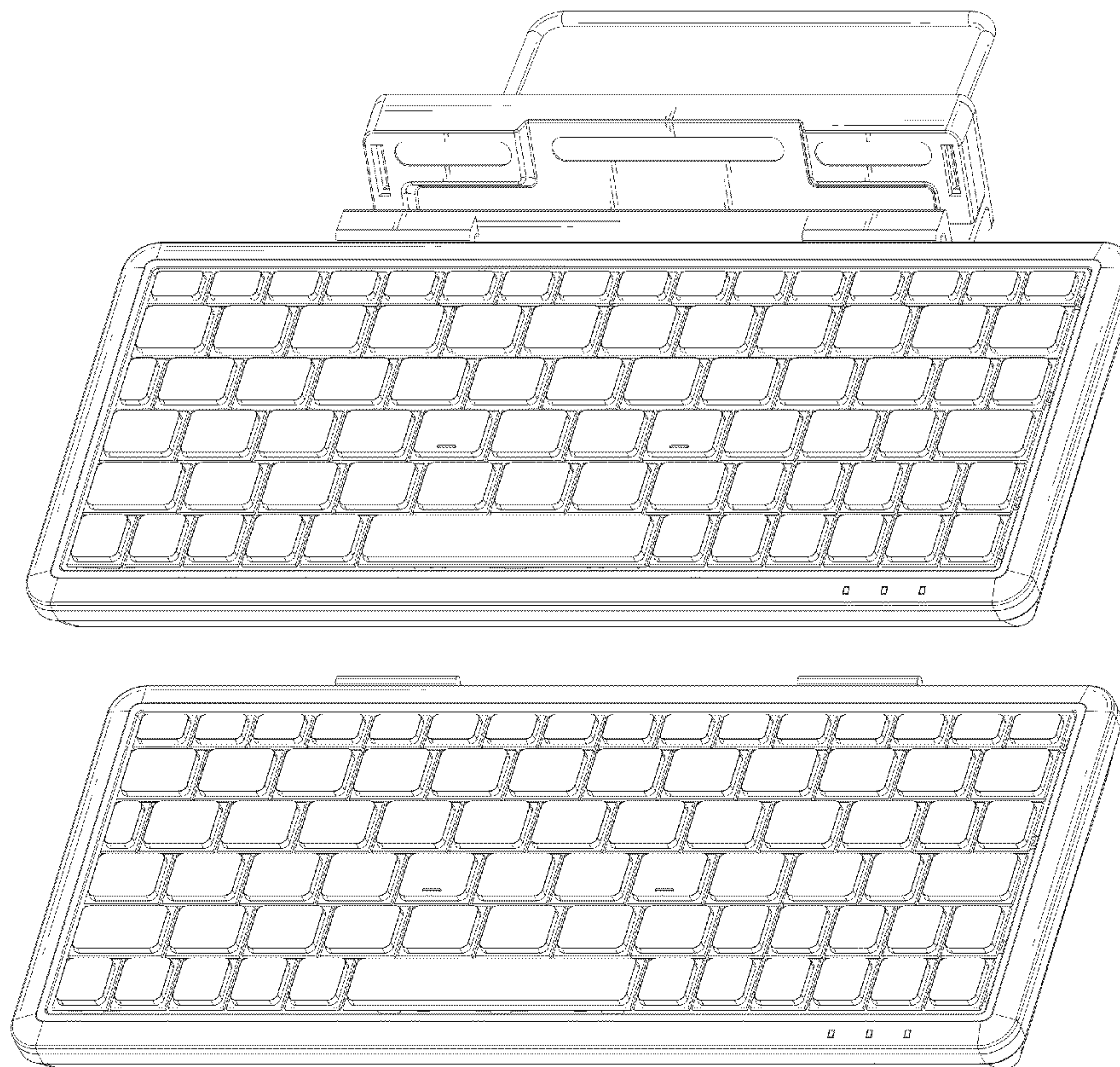
The ornamental design for a keyboard with multifunctional stand, as shown and described.

**DESCRIPTION**

FIG. 1 is a perspective view of a keyboard with multifunctional stand showing my new design; FIG. 2 is a front elevational view thereof; FIG. 3 is a rear elevational view thereof; FIG. 4 is a left side elevational view thereof; FIG. 5 is a right side elevational view thereof; FIG. 6 is a top plan view thereof; FIG. 7 is a bottom plan view thereof; and, FIG. 8 is a perspective view thereof showing the two parts separated.

The portions of the keyboard and stand shown in broken lines in drawings form no part of the claimed design.

**1 Claim, 7 Drawing Sheets**



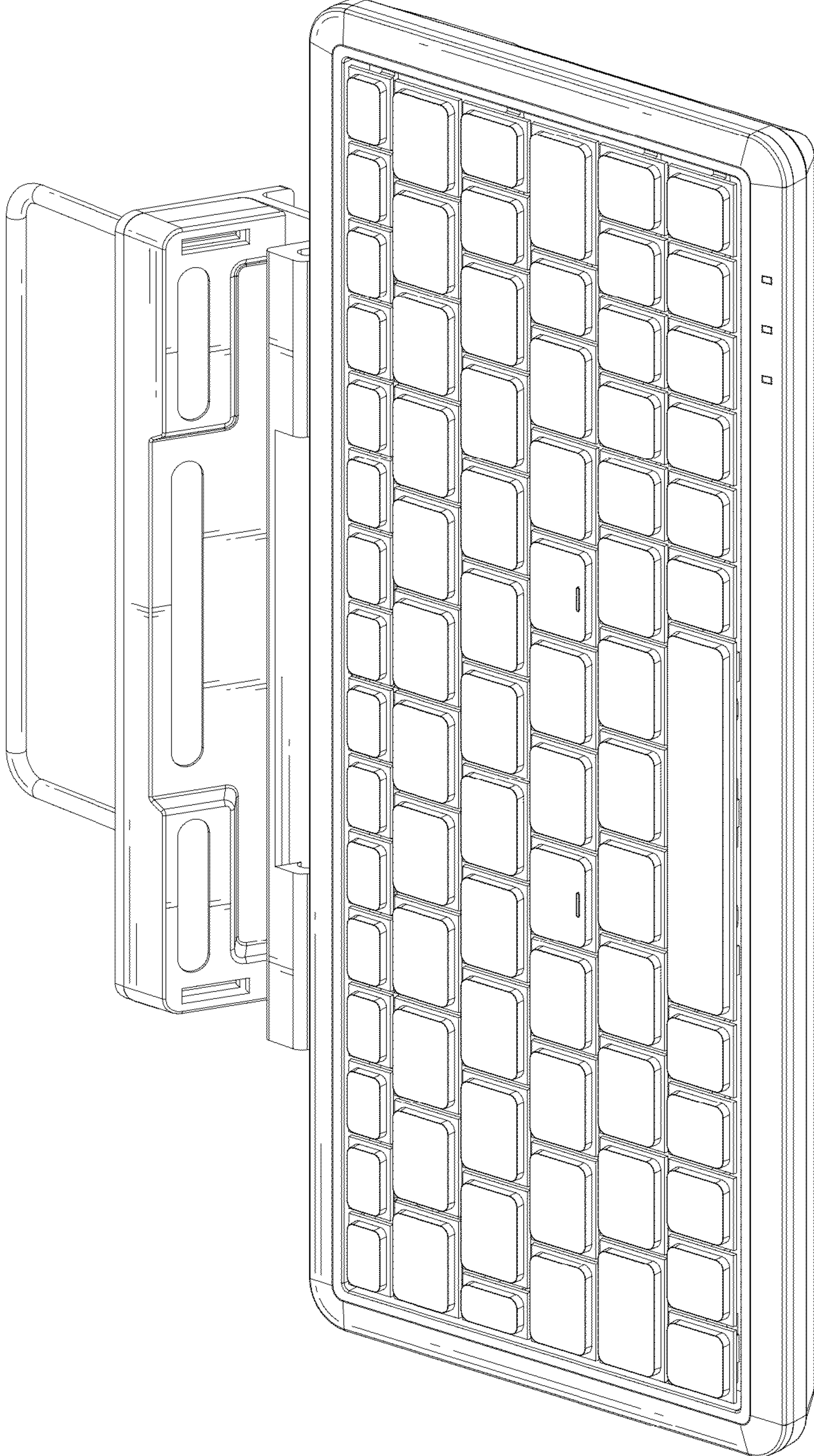


FIG. 1



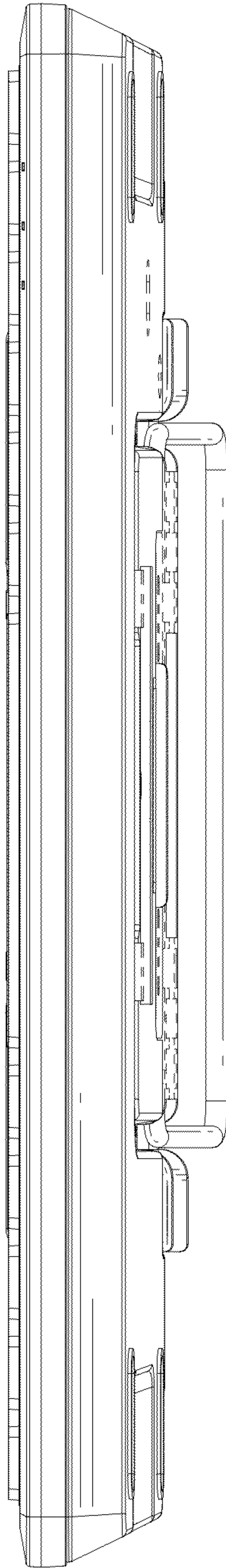


FIG. 2

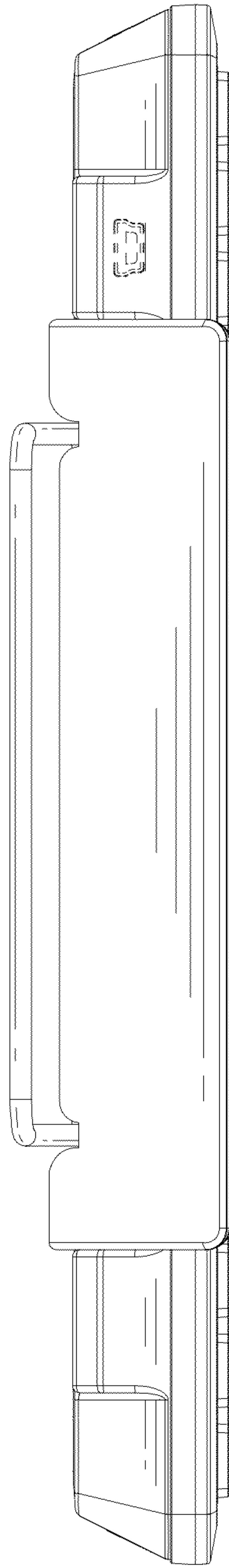


FIG. 3

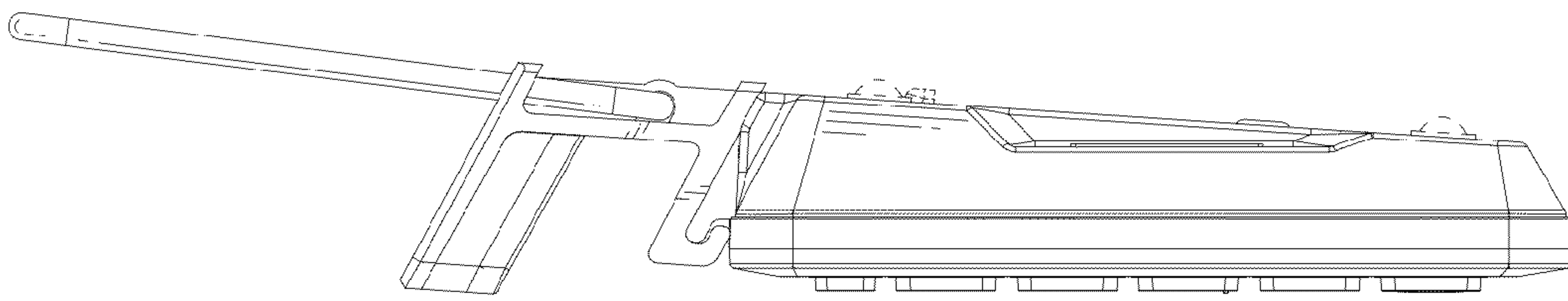


FIG. 5

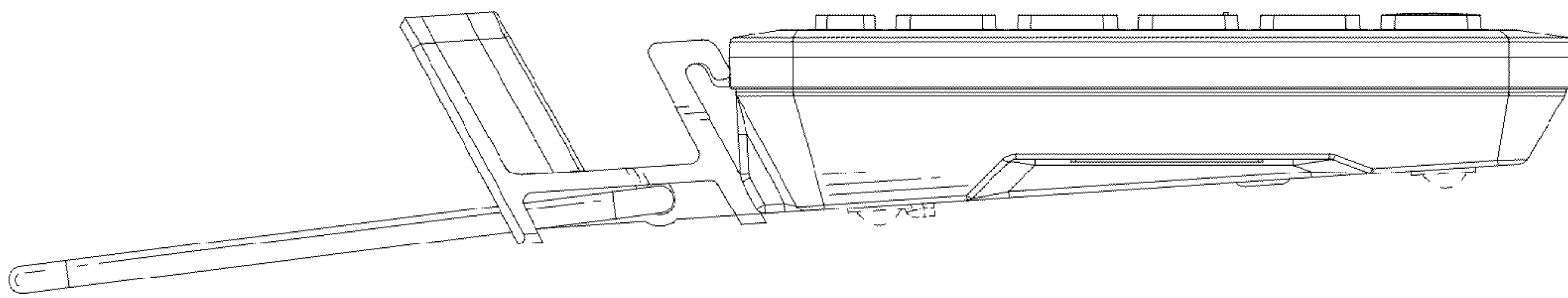


FIG. 4

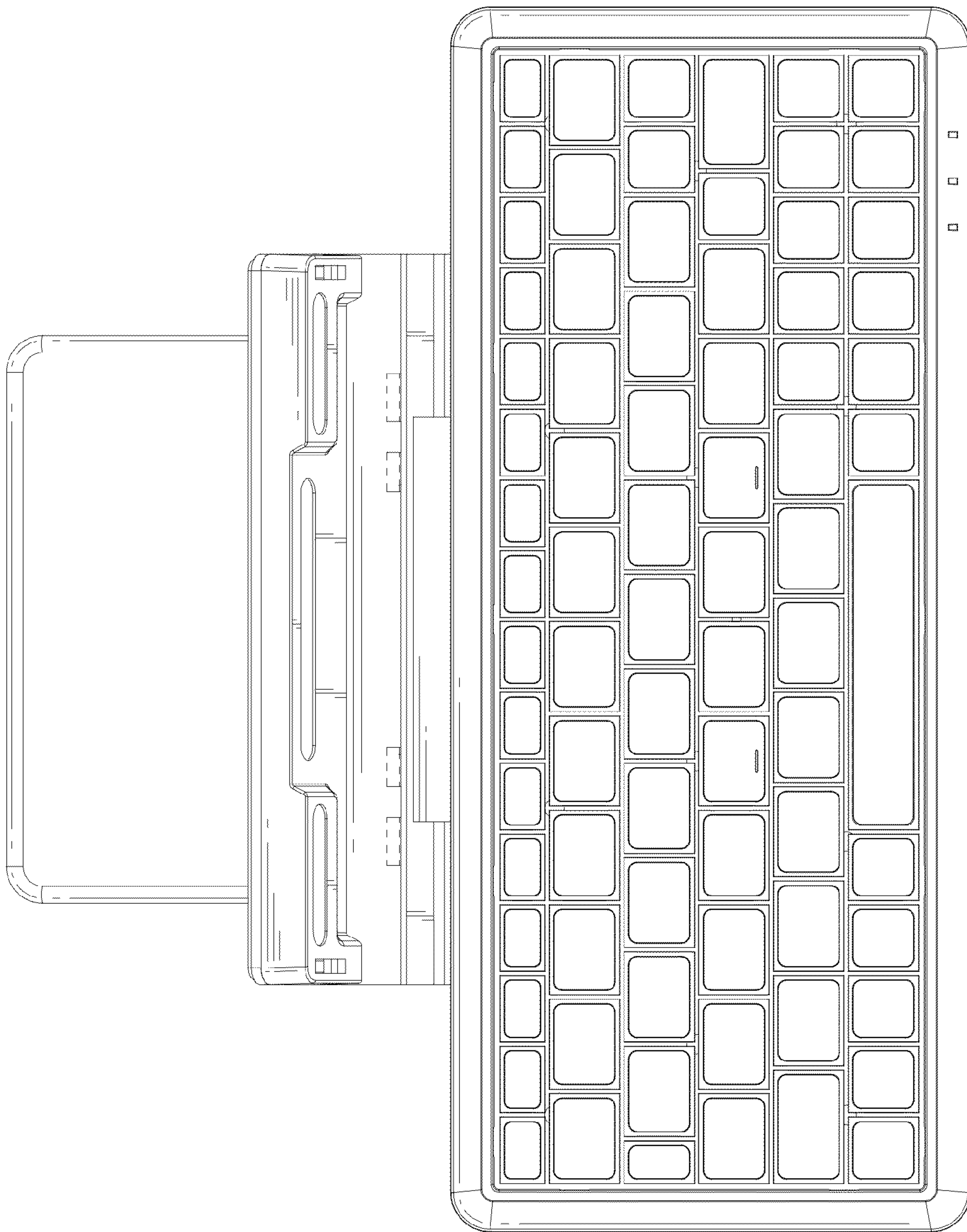


FIG.6

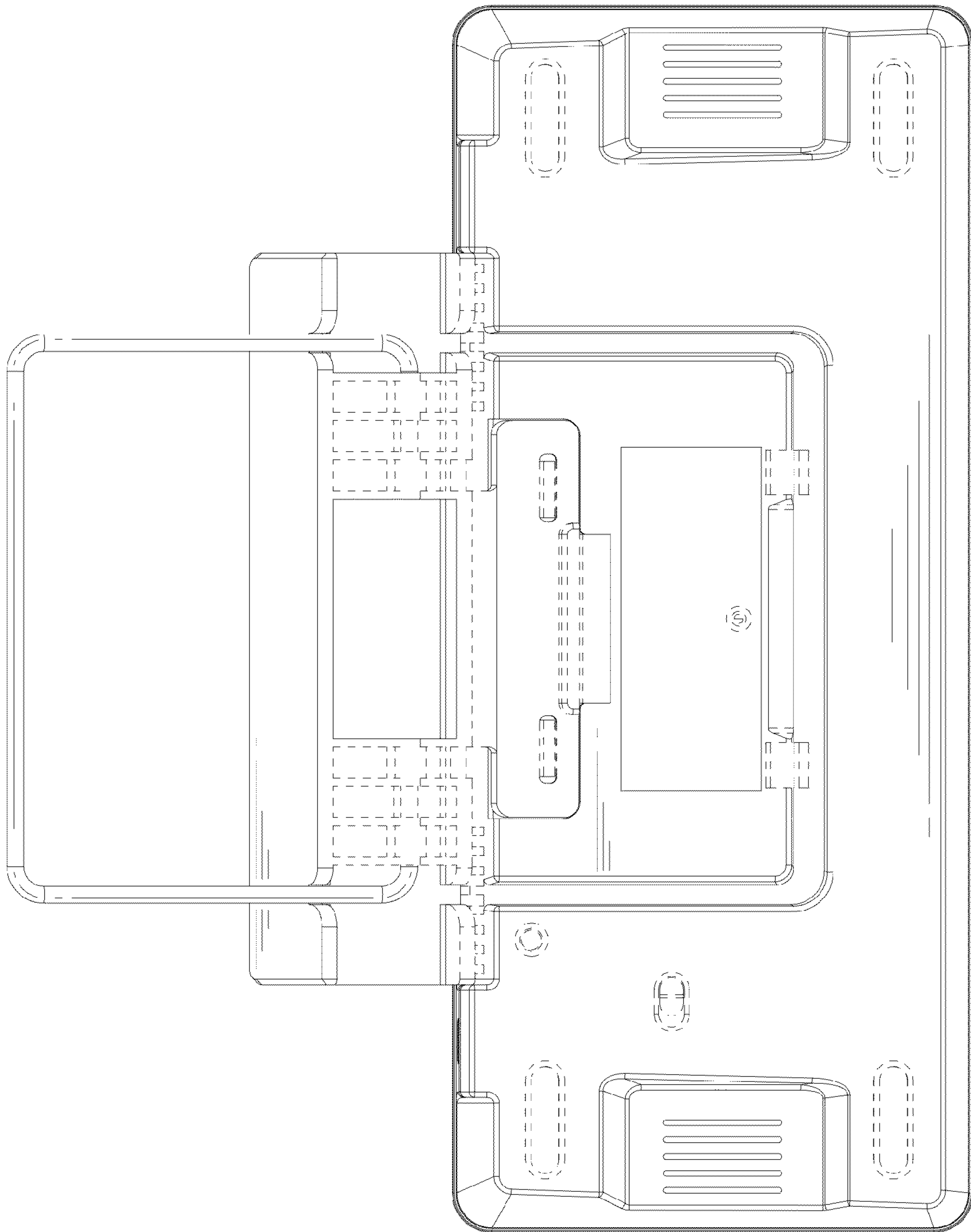


FIG. 7



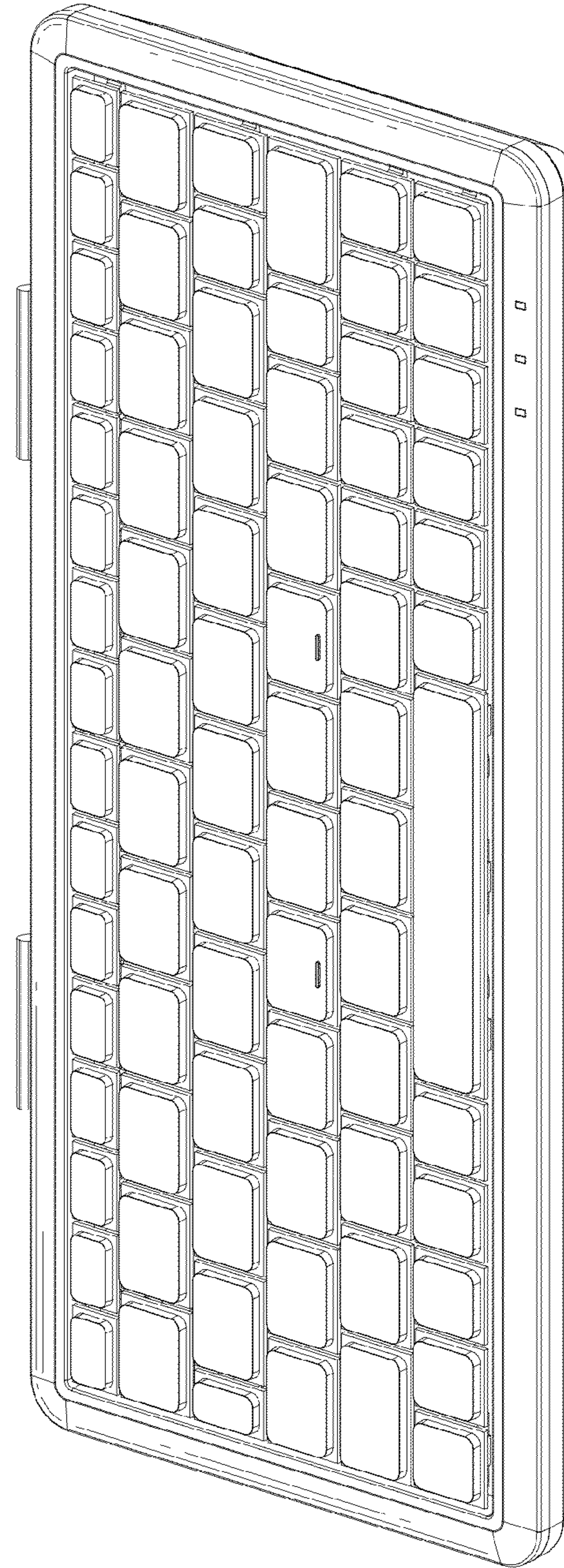
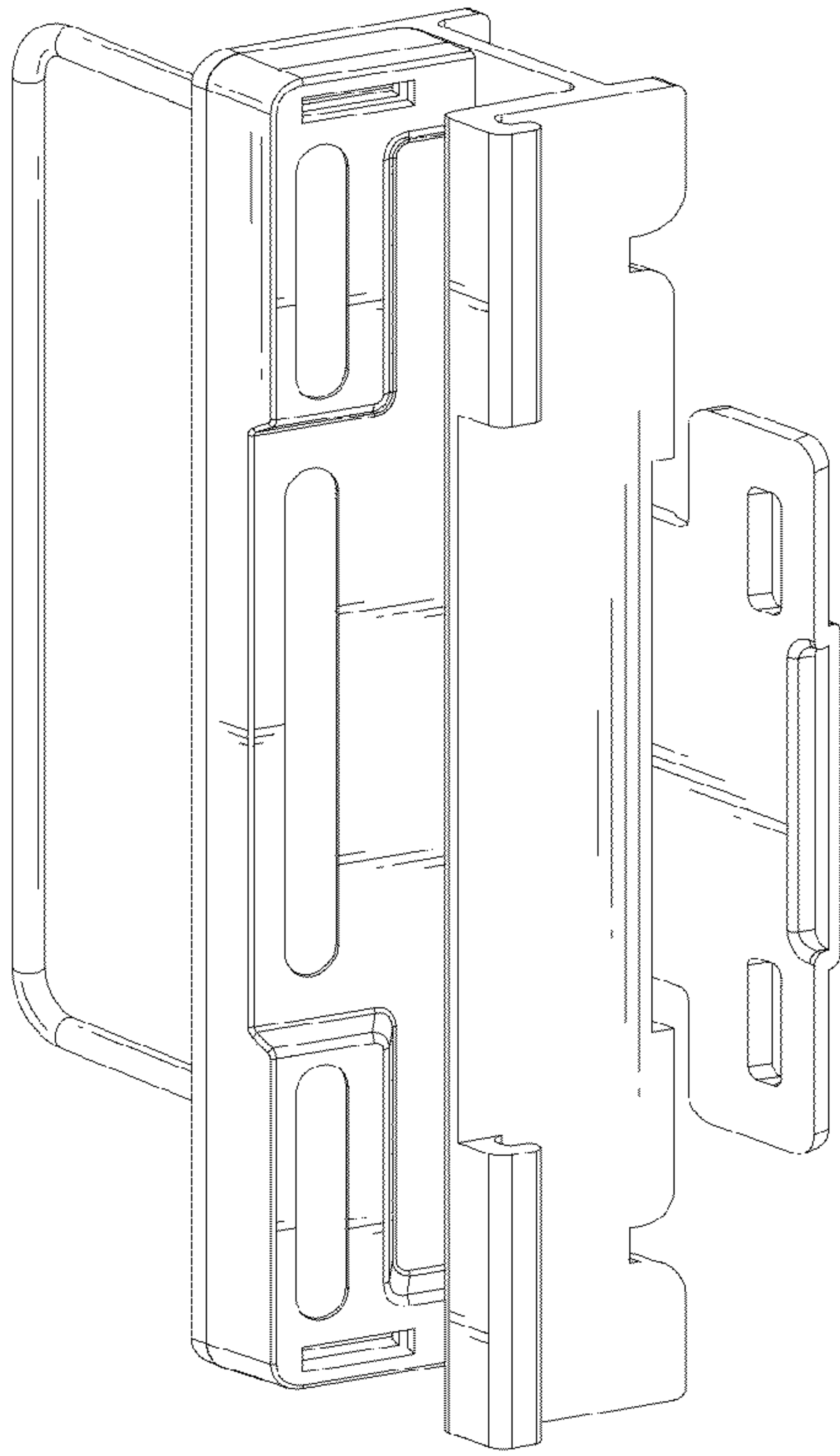


FIG. 8